

[54] COMBINED TOOTHPASTE AND
TOOTHBRUSH HOLDER

[76] Inventor: Kathleen Simpson, 3854 Linden Ave.,
Philadelphia, Pa. 19114

[**] Term: 14 Years

[21] Appl. No.: 444,632

[22] Filed: Dec. 1, 1989

[52] U.S. Cl. D6/528

[58] Field of Search D6/524, 527-528,
D6/534, 542, 553, 567, 574; 248/108; 211/13,
71, 86-91, 126, 134

[56] References Cited

U.S. PATENT DOCUMENTS

- | | | | | |
|------------|--------|----------------|-------|--------|
| D. 99,444 | 4/1936 | Levy | | D6/528 |
| D. 171,468 | 2/1954 | Simon | | D6/528 |
| D. 190,407 | 5/1961 | Tauscher | | D6/528 |
| D. 198,831 | 8/1964 | DiTirro | | D6/528 |
| D. 260,462 | 9/1981 | Melamed et al. | | D6/525 |

- | | | | | |
|------------|--------|---------|-------|----------|
| D. 294,442 | 3/1988 | Bordian | | D6/534 X |
| D. 296,401 | 6/1988 | Danial | | D6/527 X |
| 2,028,694 | 1/1936 | Spinks | | 211/87 |

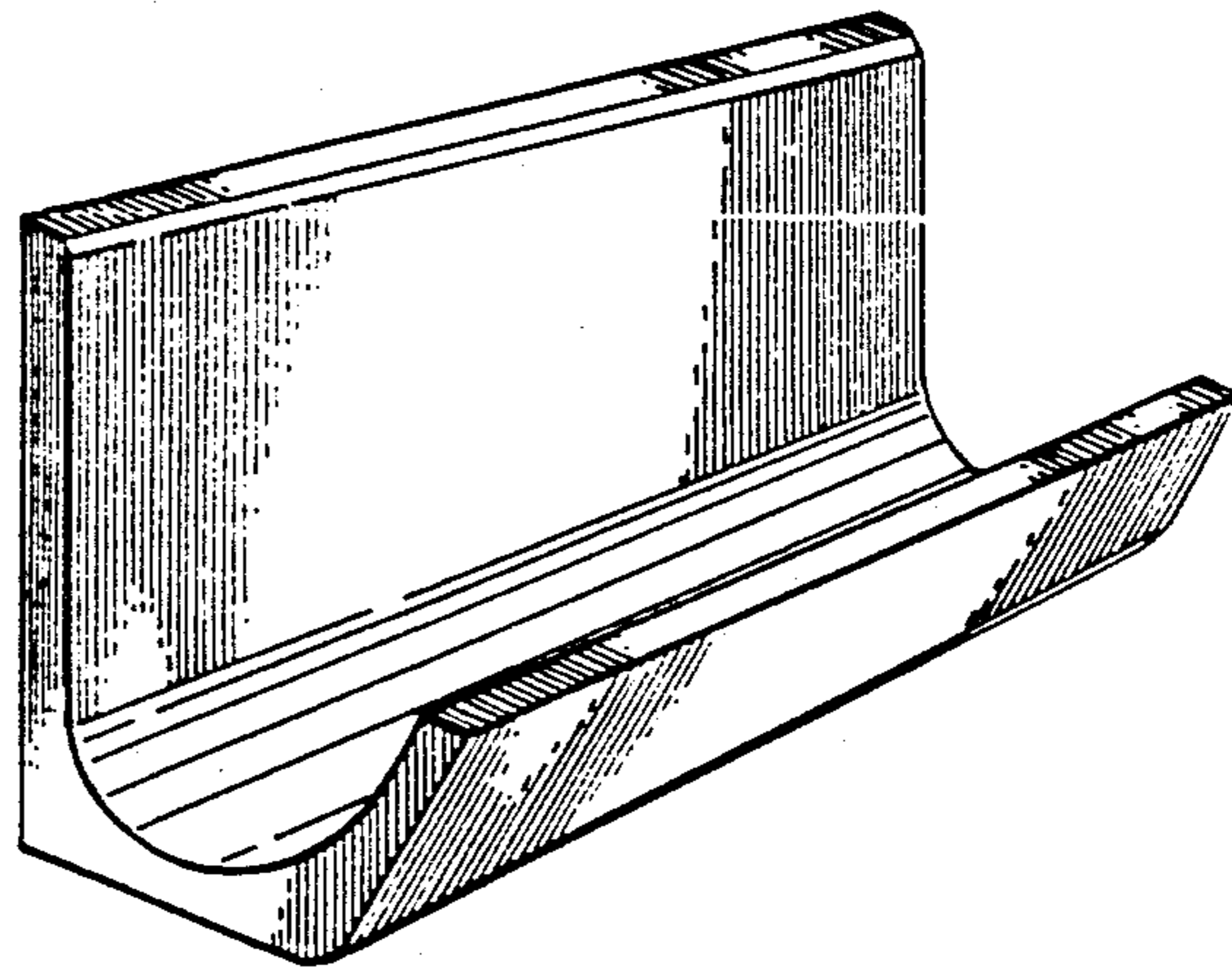
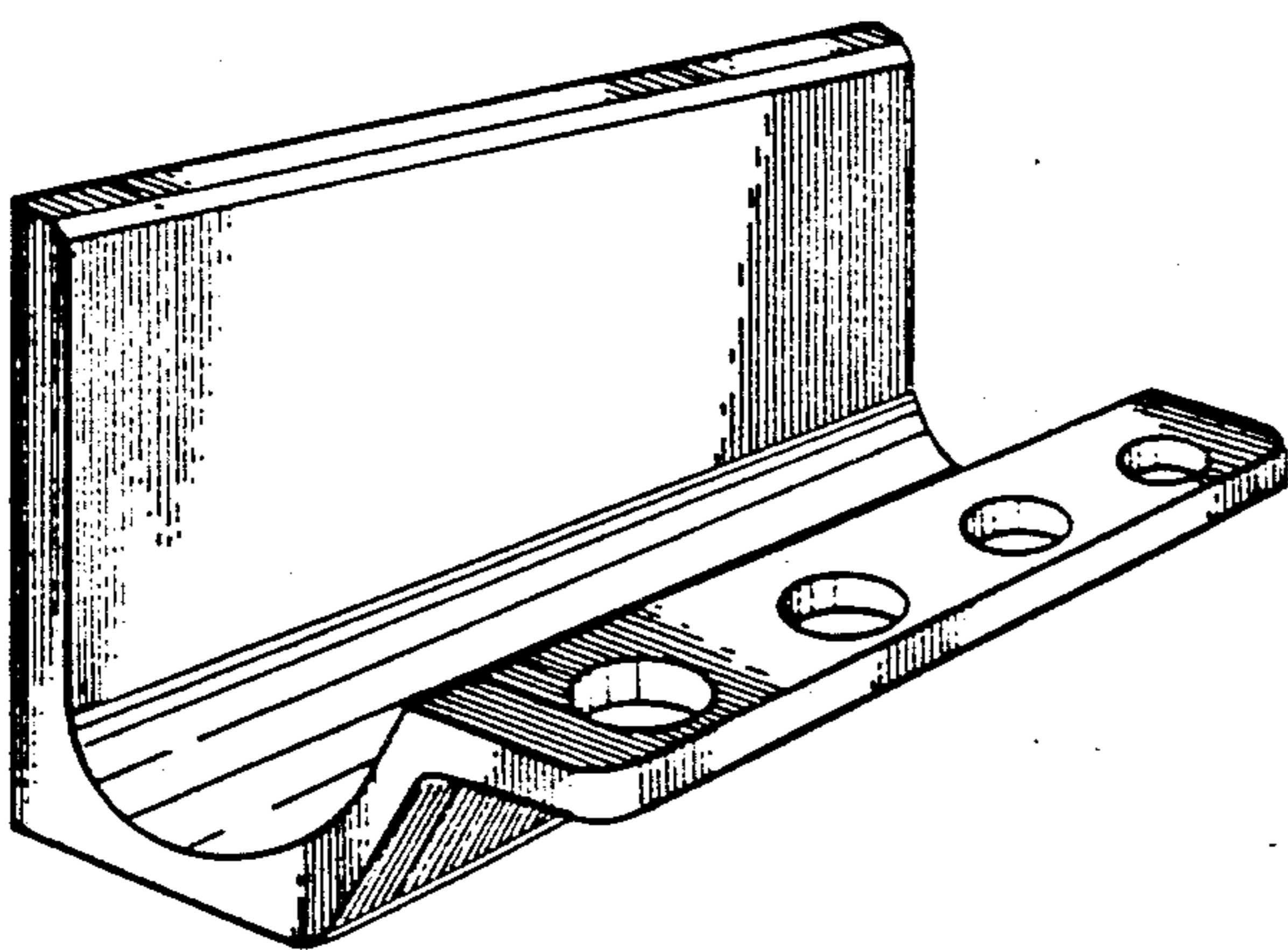
Primary Examiner—Brian N. Vinson
Attorney, Agent, or Firm—Panitch, Schwarze, Jacobs &
Nadel

[57] CLAIM

The ornamental design for a combined toothpaste and
toothbrush holder, as shown and described.

DESCRIPTION

FIG. 1 is a front elevational view of a combined tooth-
paste and toothbrush holder showing my new design;
FIG. 2 is a rear elevational view thereof;
FIG. 3 is a top plan view thereof;
FIG. 4 is a bottom plan view thereof;
FIG. 5 is a left side elevational view thereof;
FIG. 6 is a perspective view thereof; and
FIG. 7 is a perspective view of an alternate embodiment
thereof, the rear being identical to that of the first em-
bodiment.



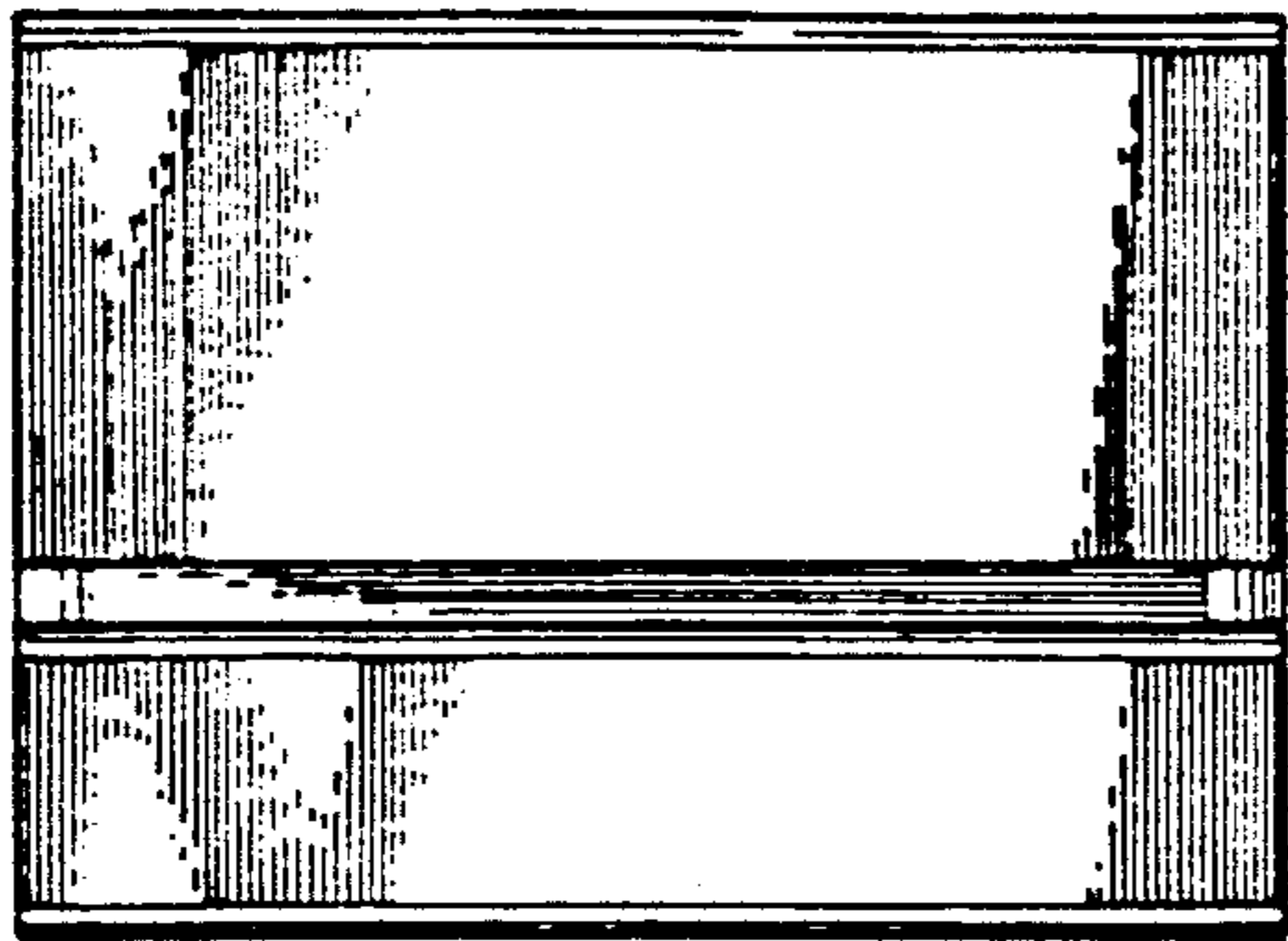


FIG. 1

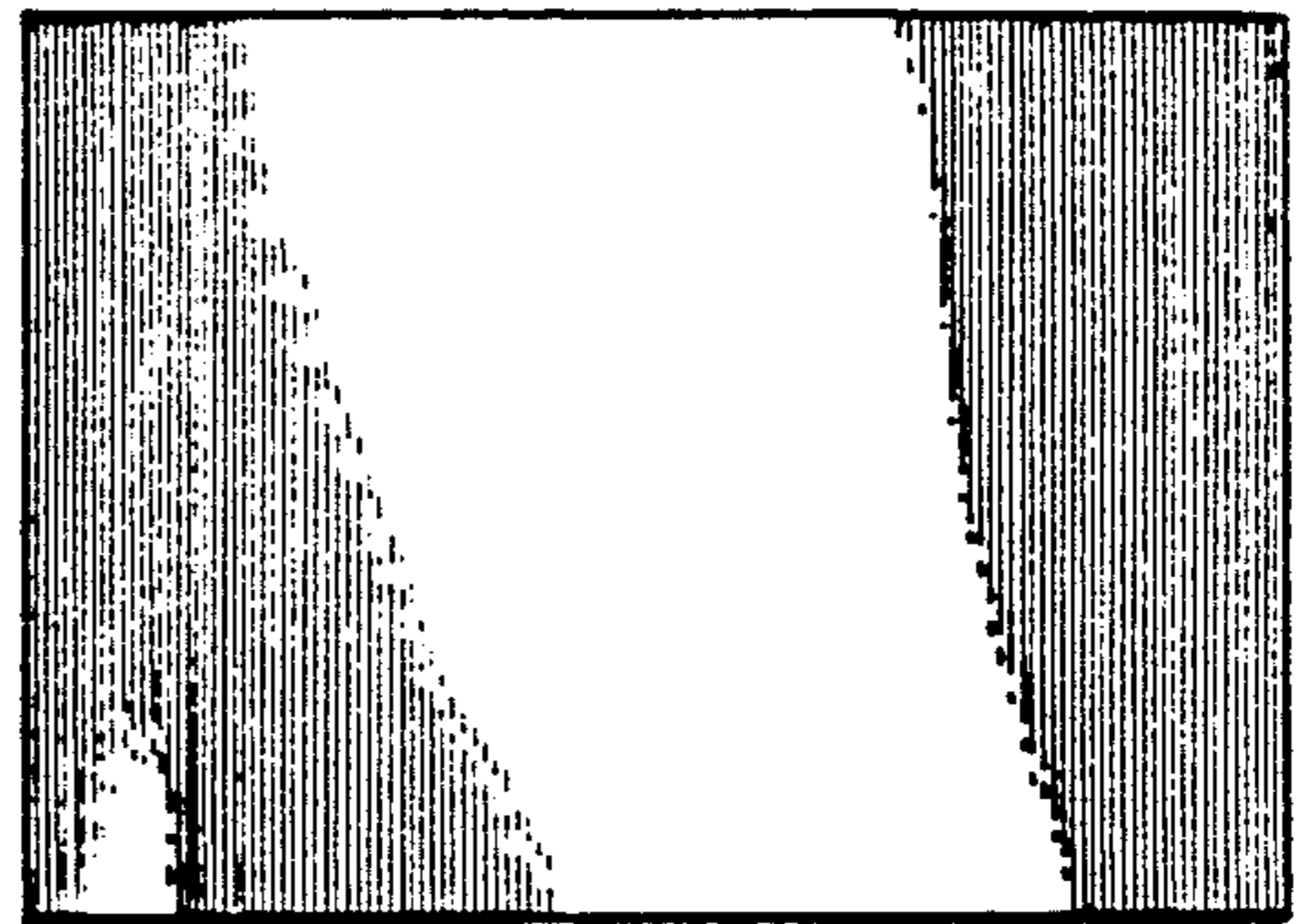


FIG. 2

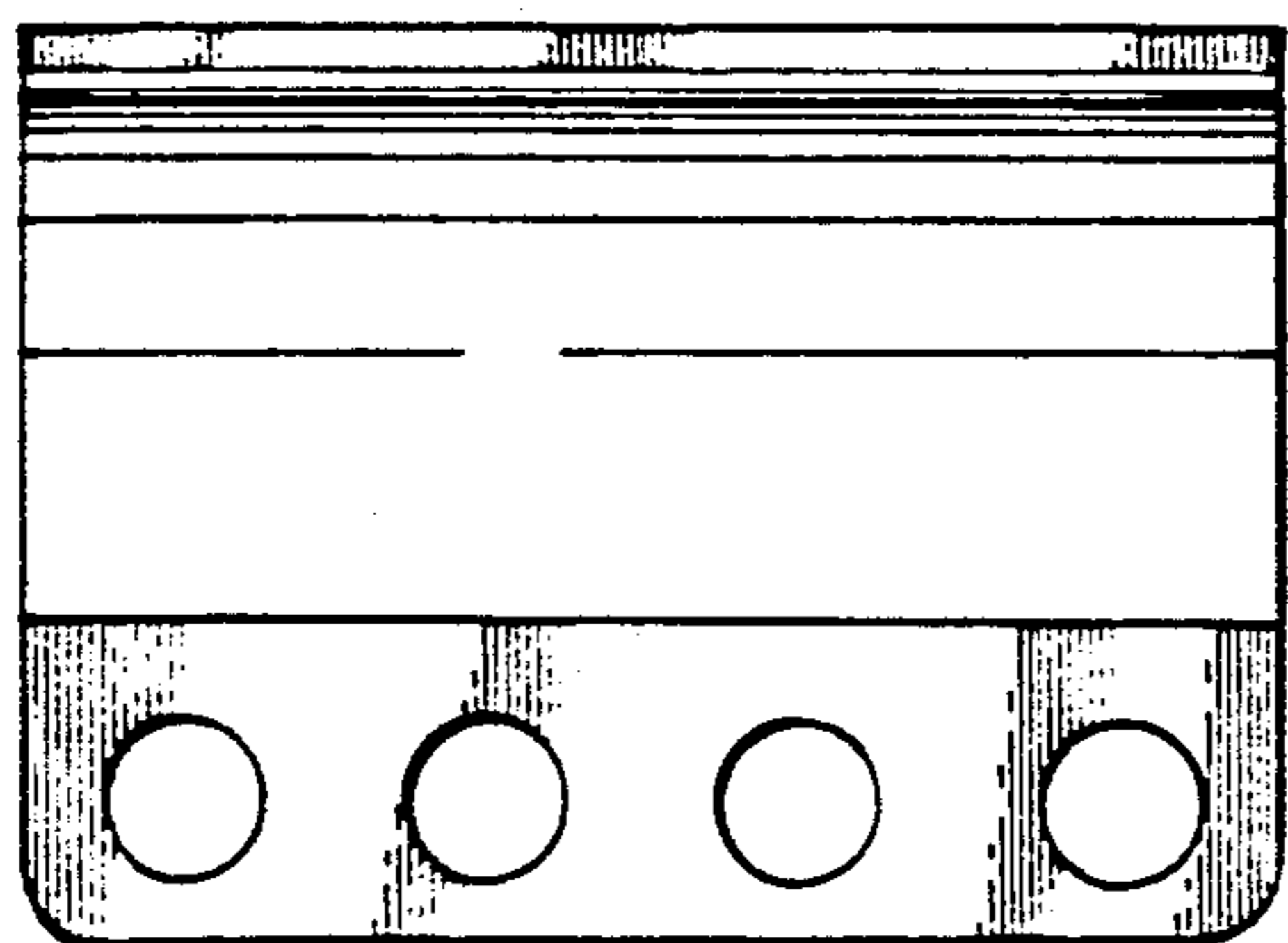


FIG. 3

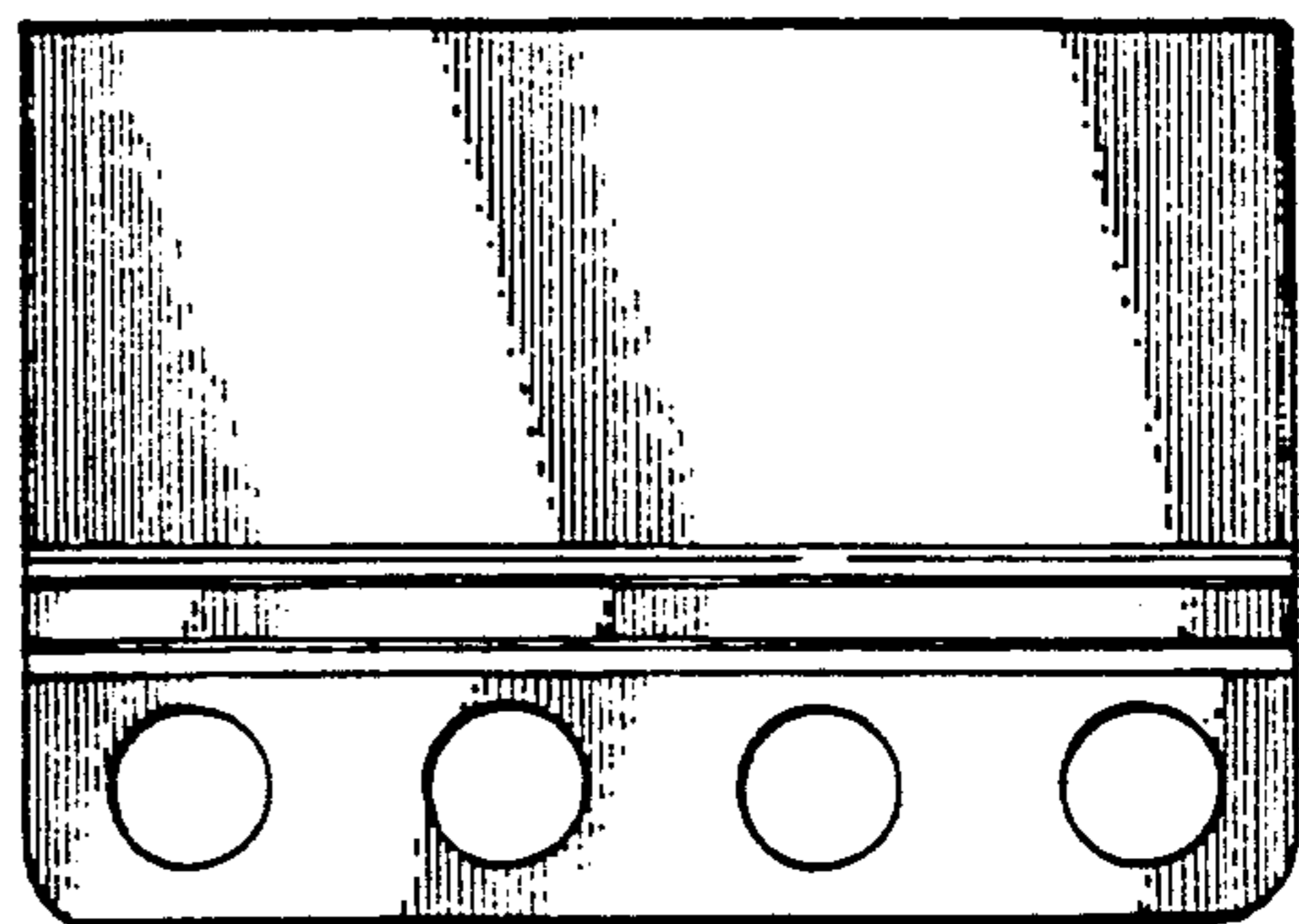


FIG. 4

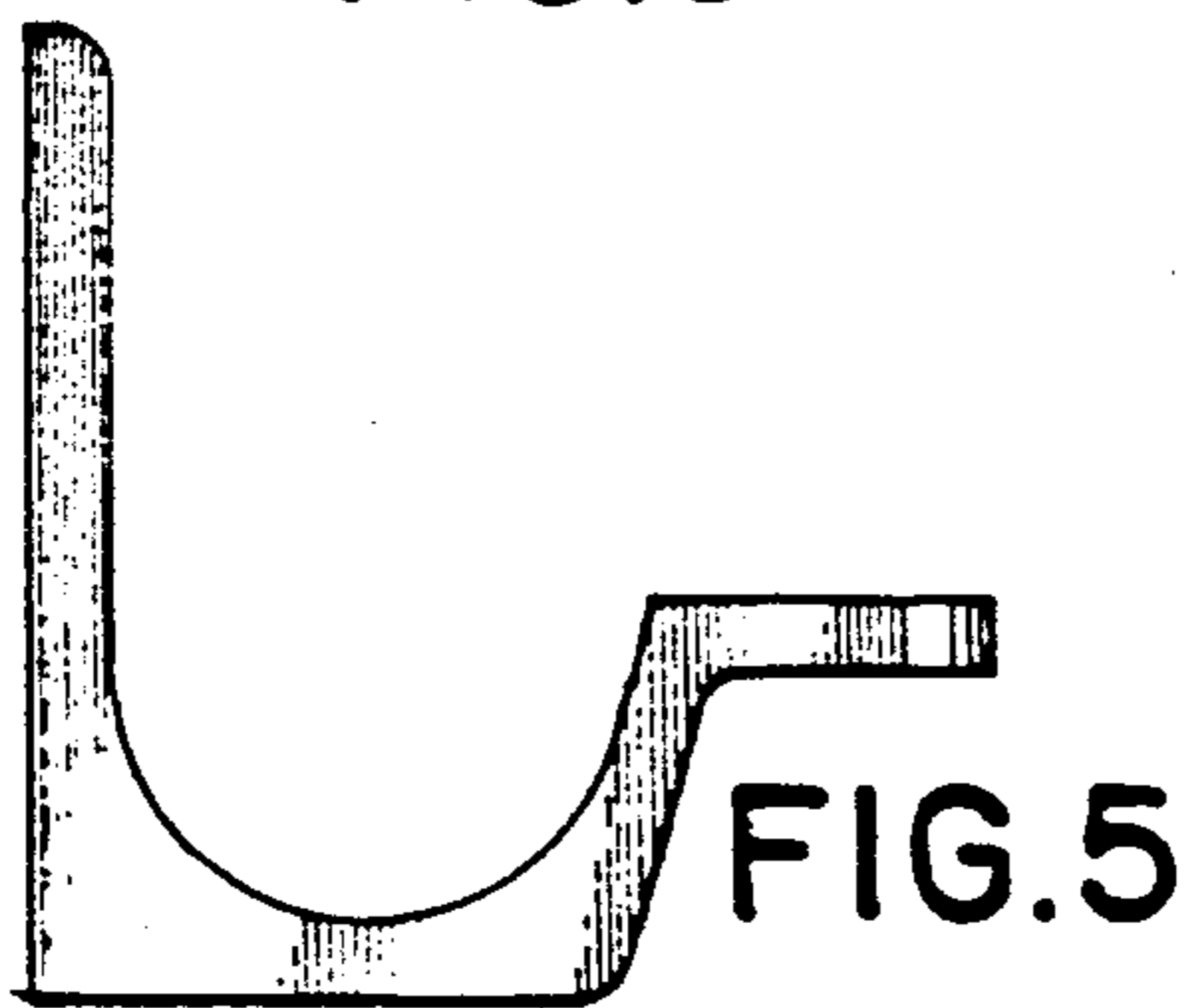


FIG. 5

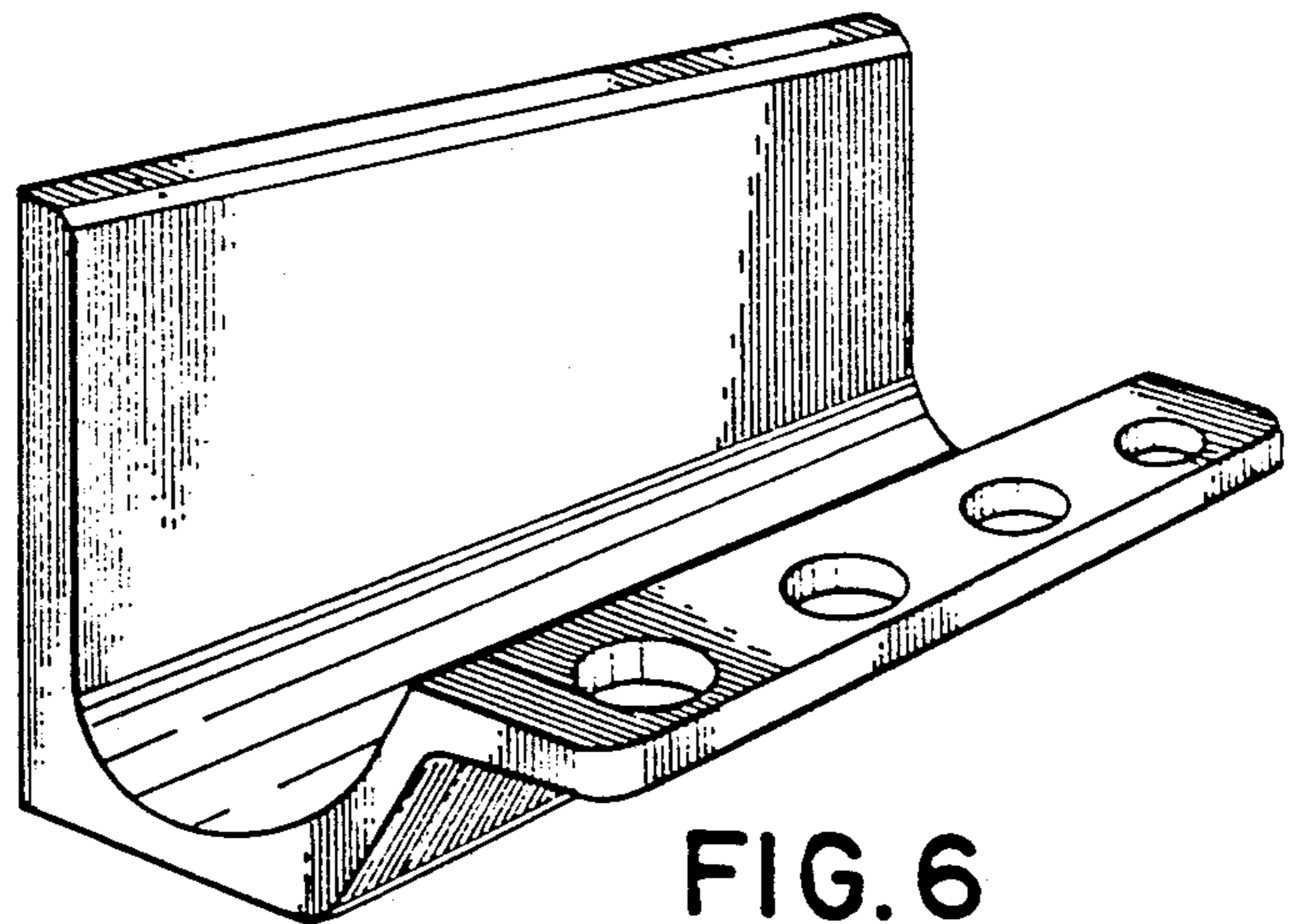


FIG. 6

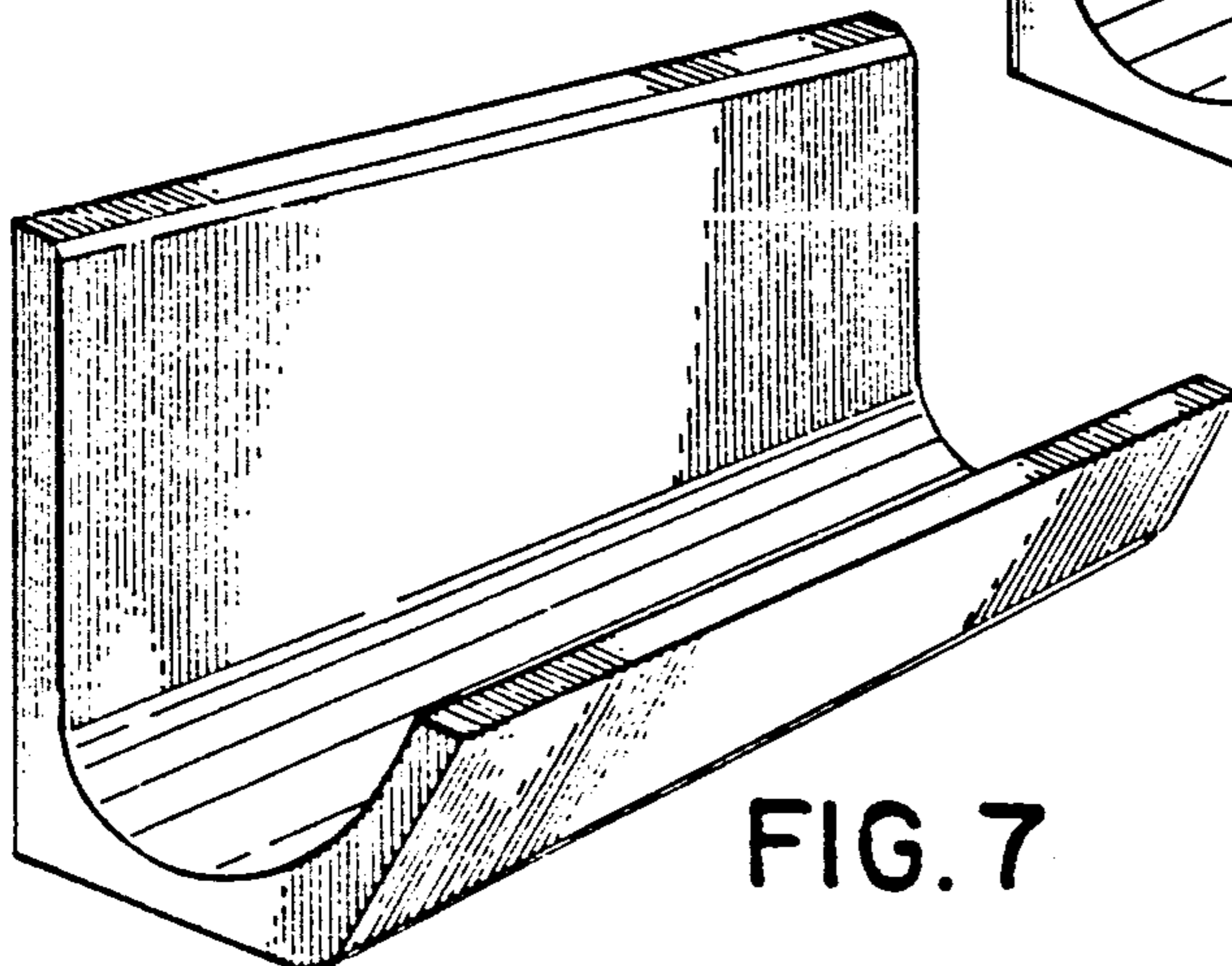


FIG. 7