

[54] SUPPORT LEG FOR FURNITURE

[75] Inventor: David R. Gutgsell, Jasper, Ind.

[73] Assignee: Ditto Sales, Inc., Jasper, Ind.

[\*\*] Term: 14 Years

[21] Appl. No.: 72,613

[22] Filed: Jul. 13, 1987

[52] U.S. Cl. .... D6/498; D6/499

[58] Field of Search ..... D6/491, 495, 498

[56] References Cited

U.S. PATENT DOCUMENTS

D. 206,323	11/1966	Kasparian .....	D6/498
D. 245,656	9/1977	Gabourie .....	D6/498
D. 273,549	4/1984	Petitt .....	D6/498
2,918,243	12/1959	Johnson et al. ....	D6/498 X

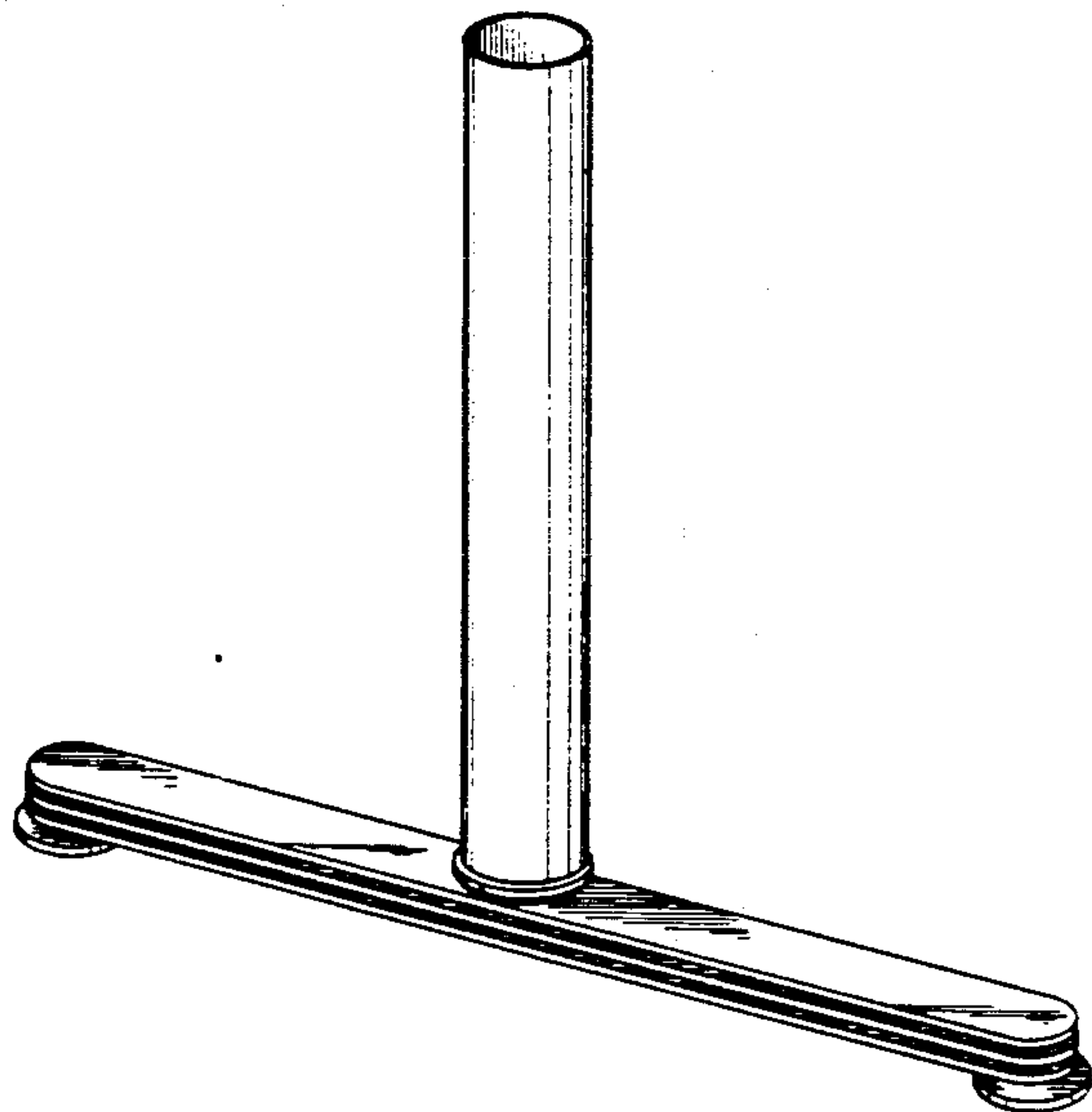
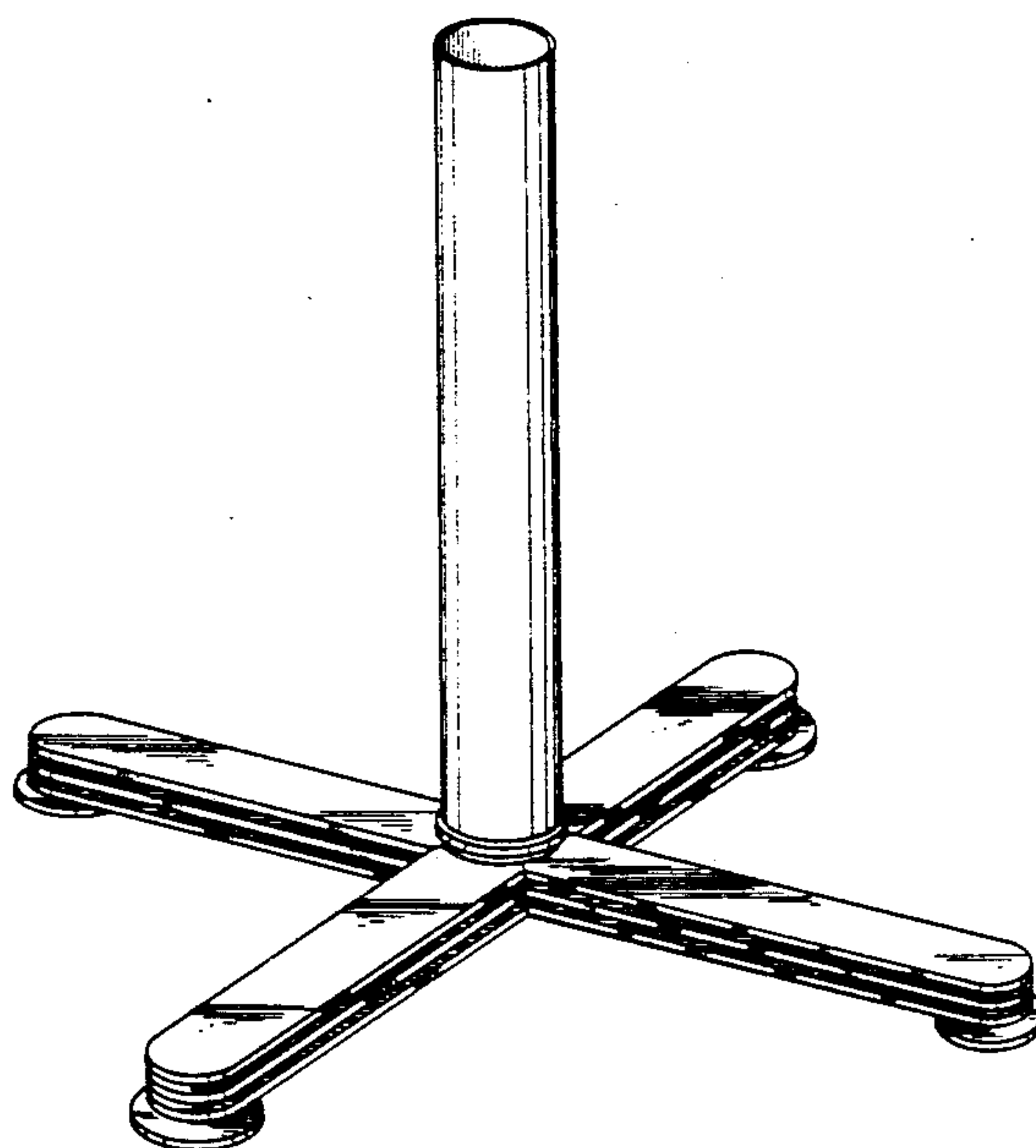
Primary Examiner—Bruce W. Dunkins  
Assistant Examiner—Janice E. Seeger  
Attorney, Agent, or Firm—Woodard, Emhardt,  
Naughton, Moriarty & McNett

[57] CLAIM

The ornamental design for support leg for furniture, as shown and described.

DESCRIPTION

FIG. 1 is a perspective view of a support leg for furniture, showing my new design;  
FIG. 2 is a top plan view;  
FIG. 3 is a bottom plan view;  
FIG. 4 is a side elevational view, the opposite side being identical thereto; and  
FIG. 5 is an elevational view of a support leg for furniture showing a second embodiment of my new design.



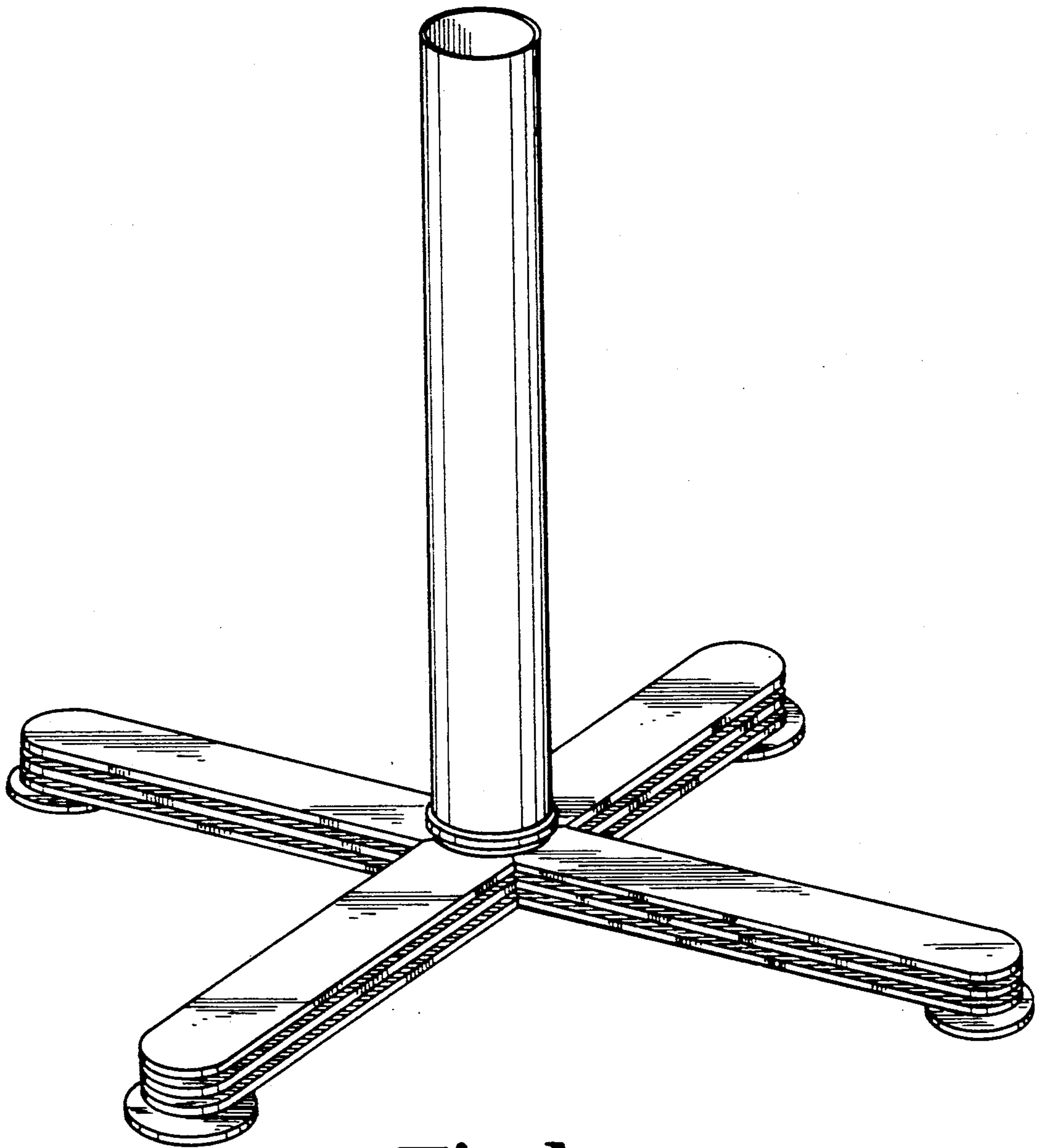


Fig.1

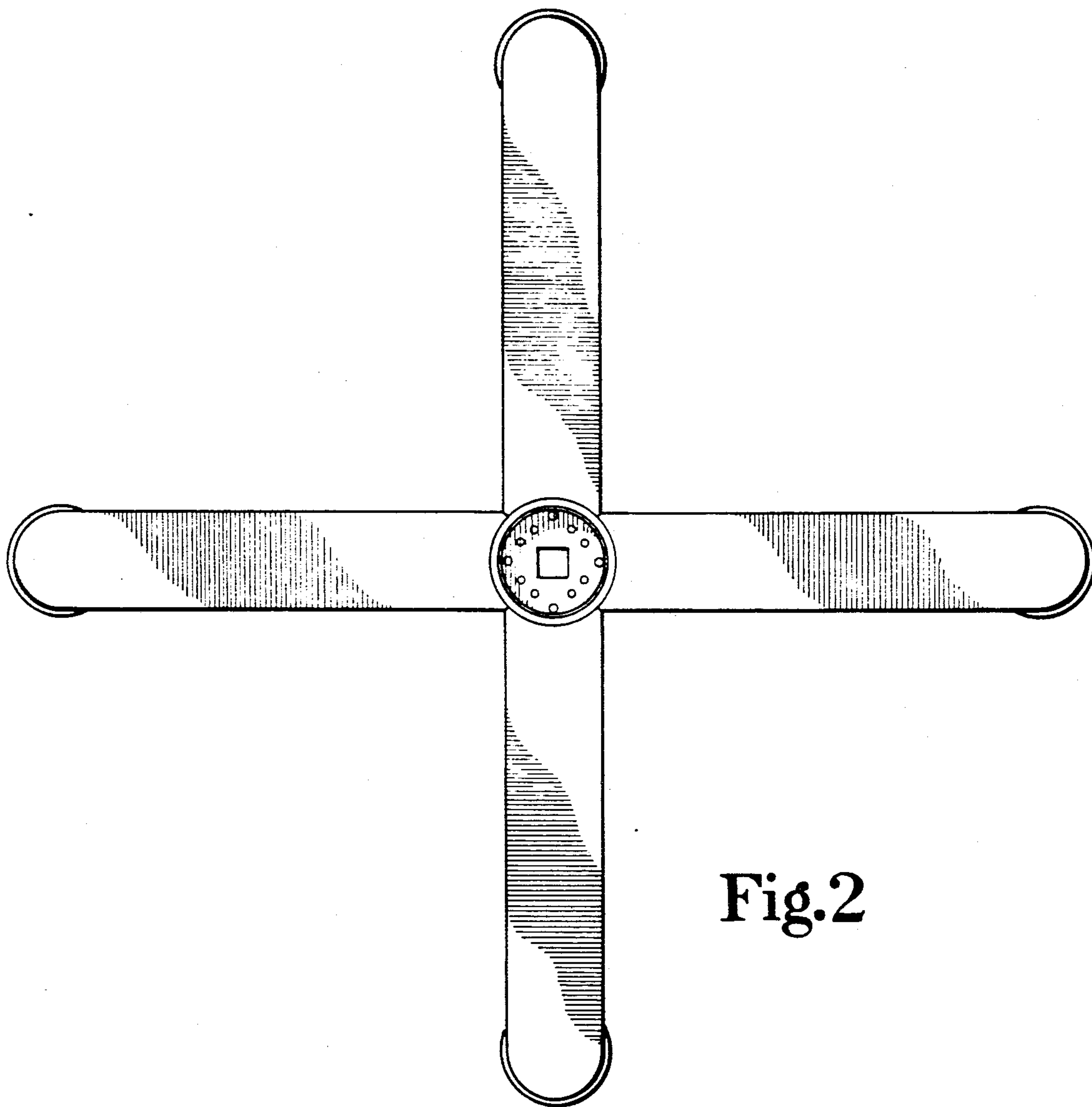


Fig.2

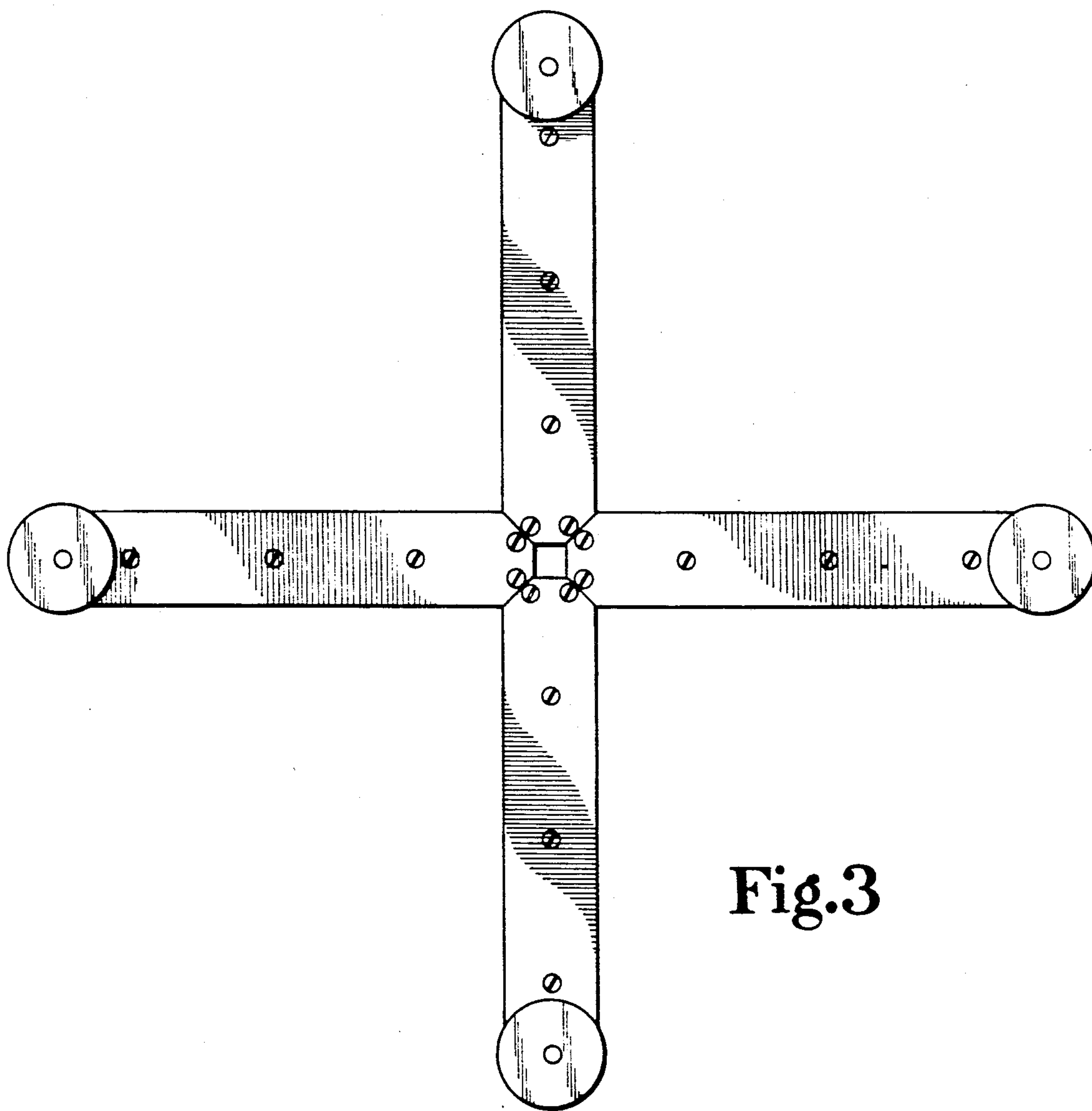


Fig.3

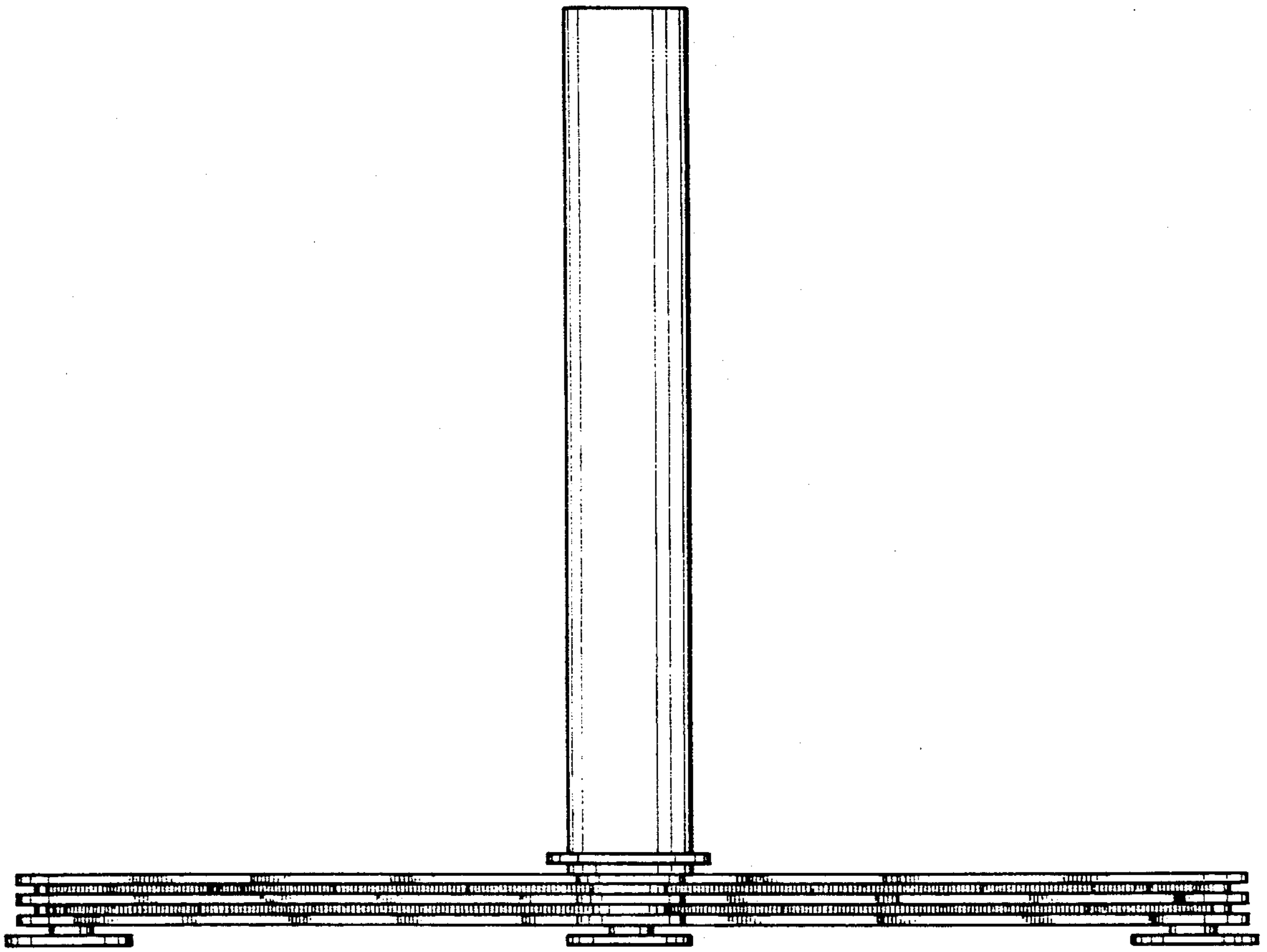


Fig. 4

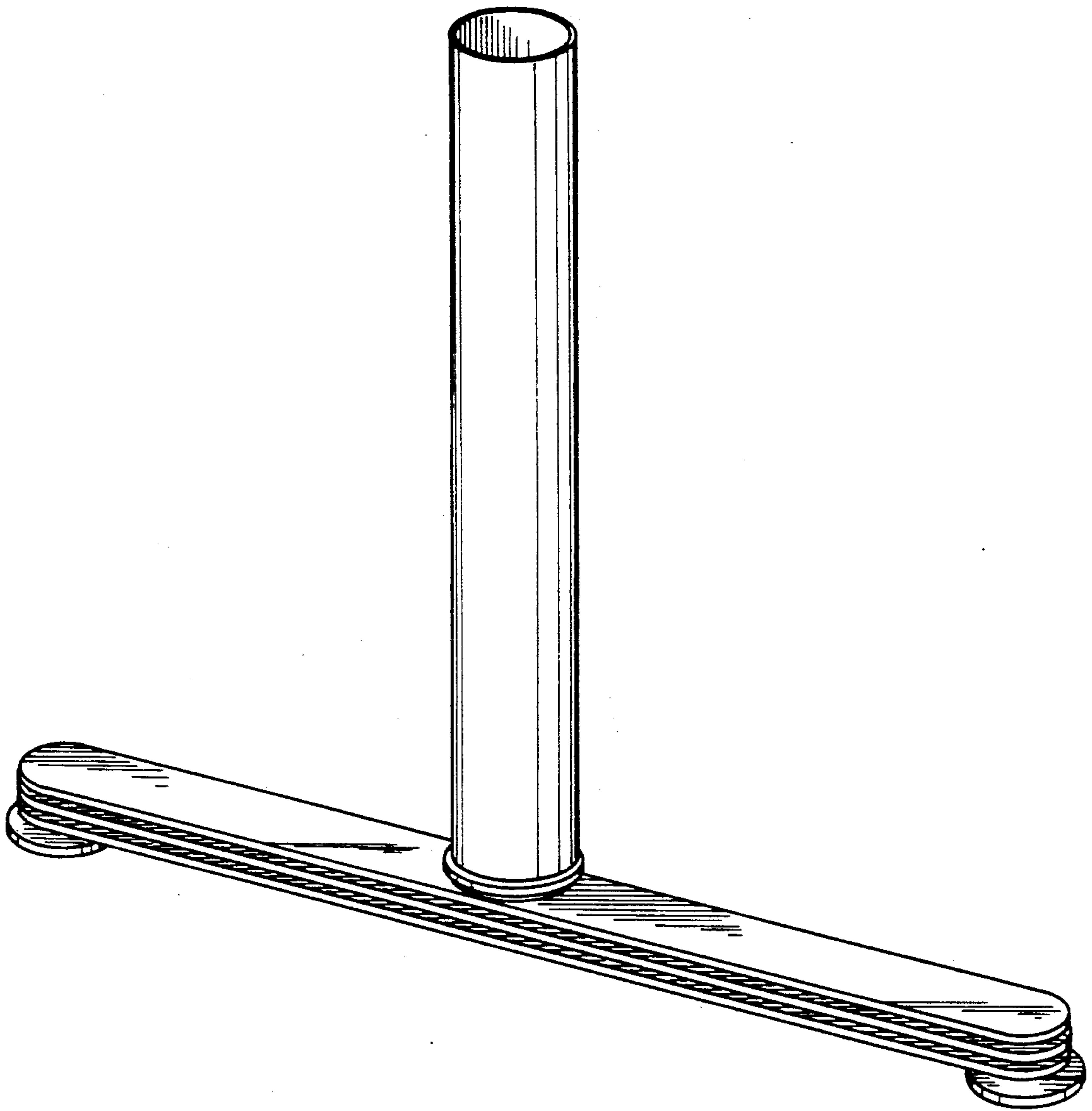


Fig. 5