

[54] **DINING TABLE**

[75] **Inventor: James Rosen, Los Angeles, Calif.**  
[73] **Assignee: The Pace Collection, Inc., Long Island City, N.Y.**  
[\*\*] **Term: 14 Years**  
[21] **Appl. No.: 316,672**  
[22] **Filed: Feb. 28, 1989**  
[52] **U.S. Cl. .... D6/487**  
[58] **Field of Search .... D6/480, 482-489, D6/495-499, 429, 430; D30/101, 102, 104**

D. 309,993 8/1990 Miklos ..... D6/495

**OTHER PUBLICATIONS**

Interiors, Nov. 1984, p. 52, table bottom right.  
Domus, 11-1975, p. 36, table top left.  
D.I.A. Catalog, p. 14, Table 445-1 center of page.

*Primary Examiner*—Nelson C. Holtje  
*Assistant Examiner*—Janice E. Seeger  
*Attorney, Agent, or Firm*—Darby & Darby

[56] **References Cited**

**U.S. PATENT DOCUMENTS**

D. 87,162	6/1932	Malik .....	D6/485 X
D. 125,589	3/1941	Little et al. ....	D6/487 X
D. 225,941	1/1973	Duern et al. ....	D6/485
D. 233,499	11/1974	Sakata .....	D6/488 X
D. 236,926	9/1975	Alexander .....	D6/485
D. 287,680	1/1987	Lonngren .....	D6/485
D. 289,476	4/1987	Holl .....	D6/486 X
D. 292,034	9/1987	Perkinson .....	D30/101
D. 303,052	8/1989	Rosen .....	D6/480

[57] **CLAIM**

The ornamental design for a dining table, as shown and described.

**DESCRIPTION**

FIG. 1 is a top perspective view of a dining table showing my new design;  
FIG. 2 is a top plan view thereof;  
FIG. 3 is a front elevational view thereof, the rear side being a mirror image of the front elevational view shown;  
FIG. 4 is a right side elevational view thereof, the left side being a mirror image of the right side shown; and  
FIG. 5 is a bottom plan view.

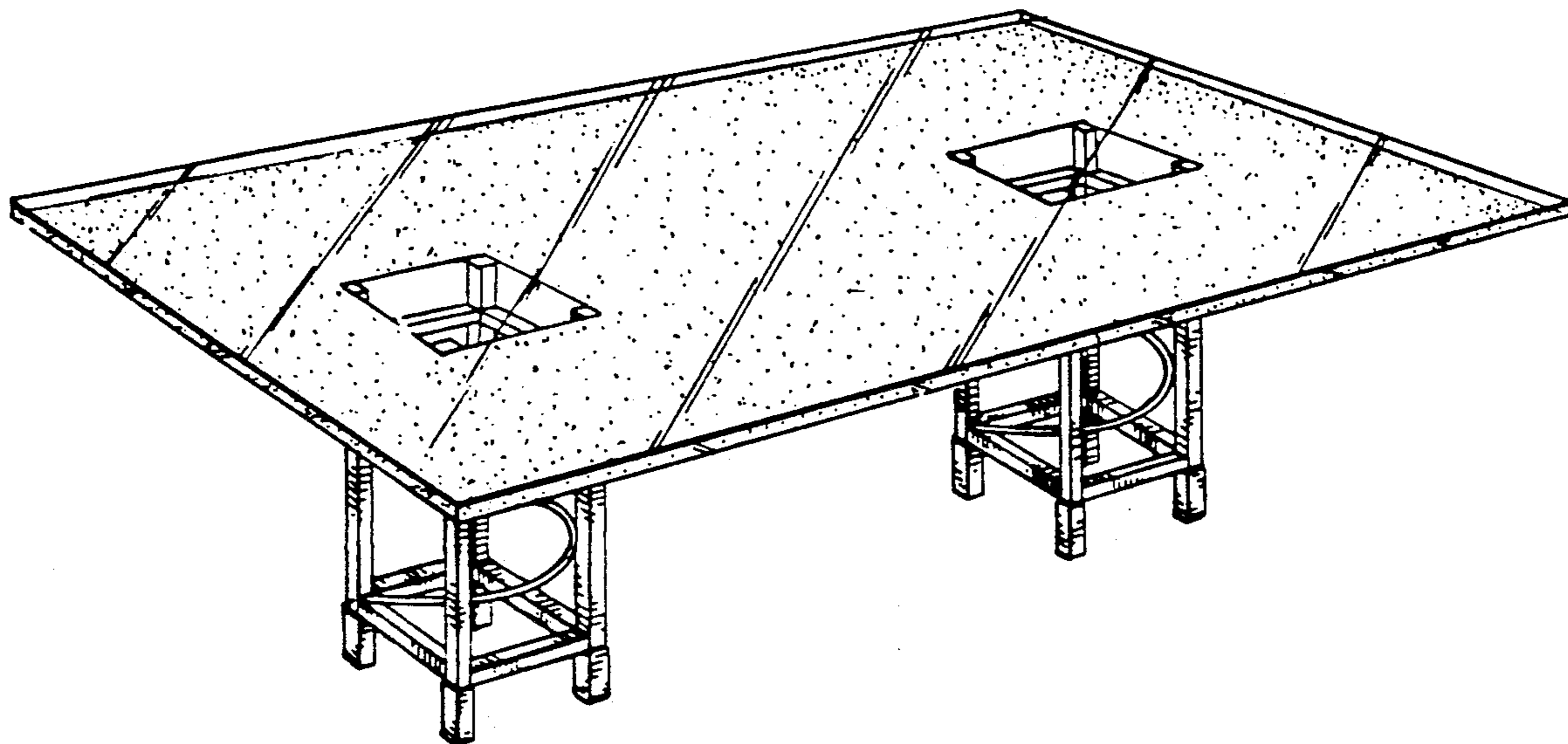


FIG. 1

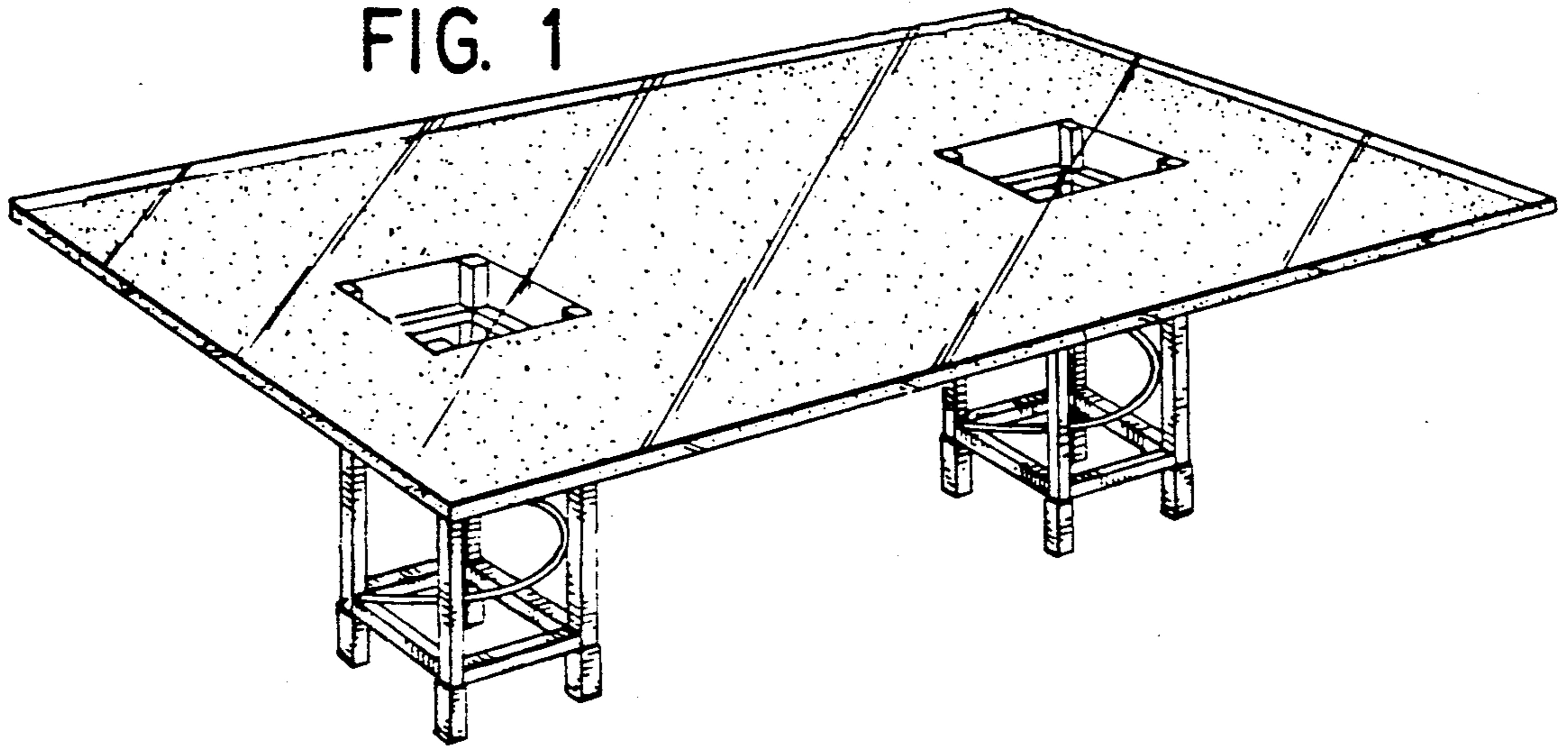


FIG. 2

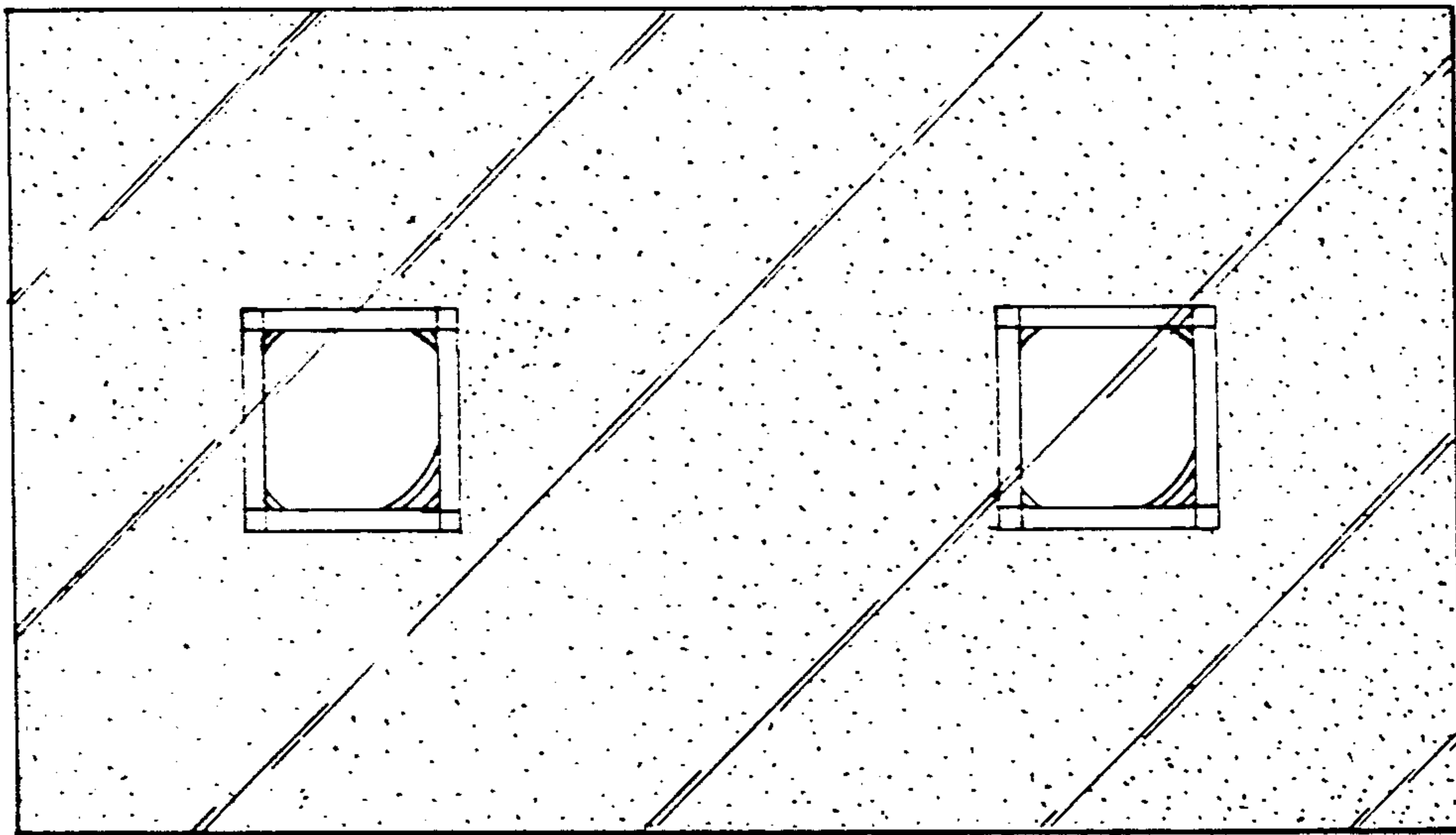


FIG. 3

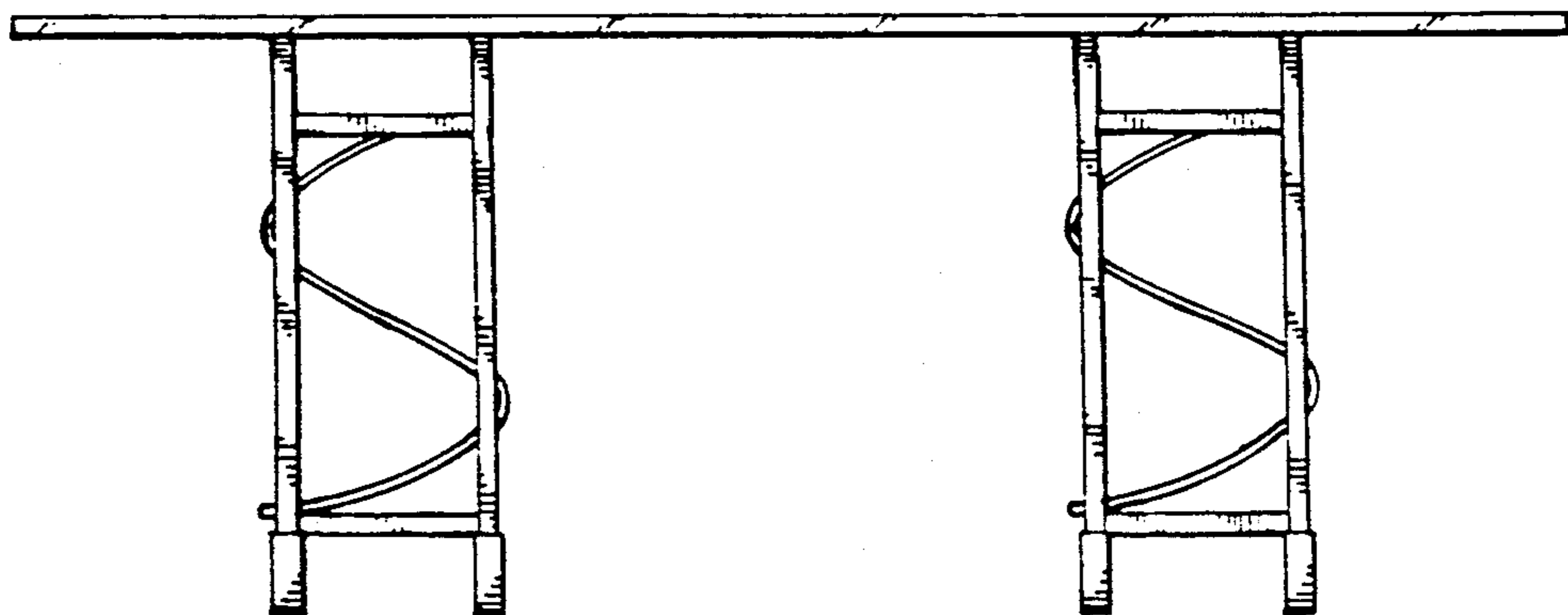


FIG. 4

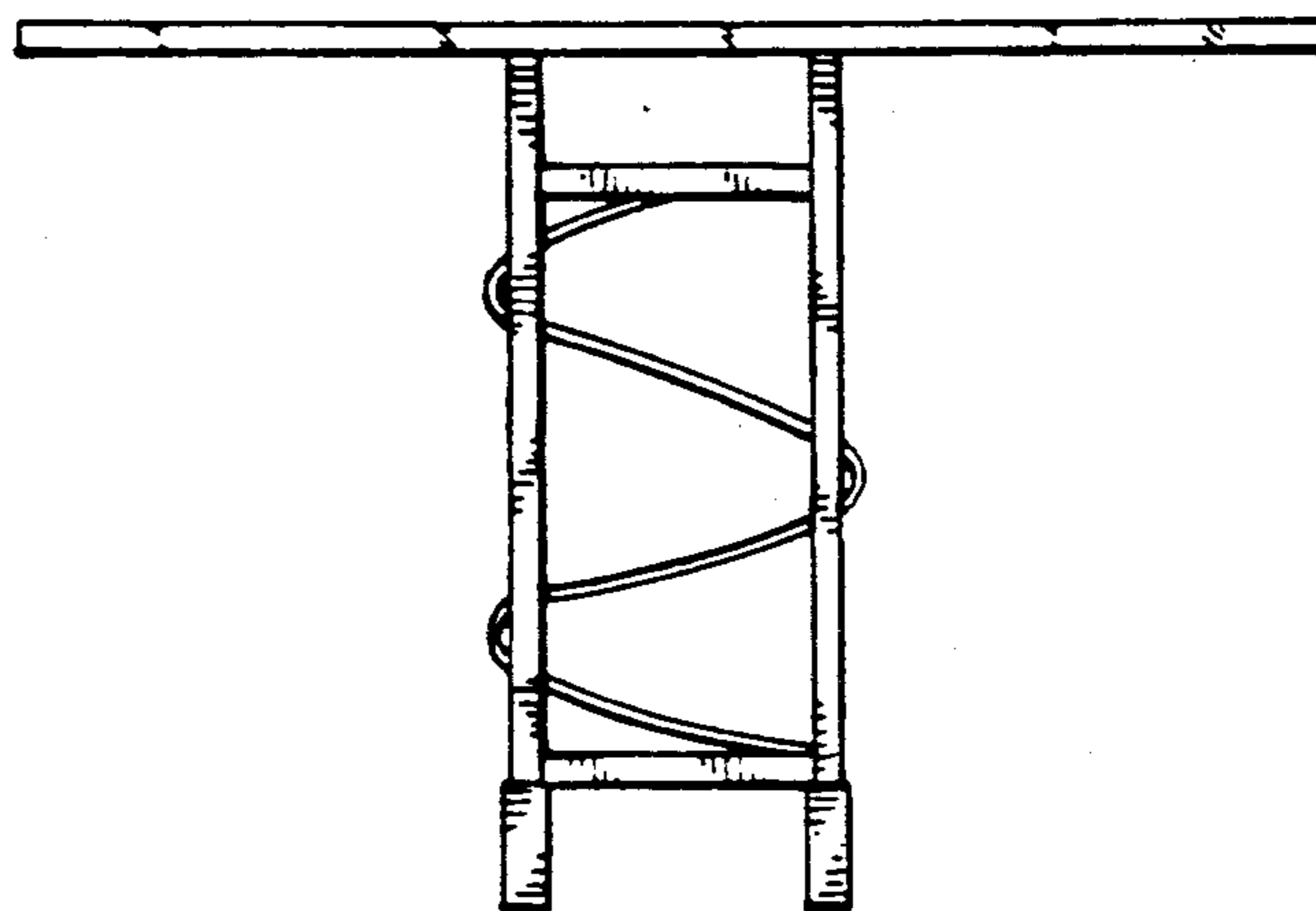


FIG. 5

