

# United States Patent [19]

Cross et al.

[11] Patent Number: **Des. 322,370**

[45] Date of Patent: **\*\* Dec. 17, 1991**

[54] **HOLDER FOR A COMPASS OR SIMILAR ARTICLE**

[75] Inventors: **Gregory L. Cross; Wendell C. Cross,**  
both of Arvada, Colo.

[73] Assignee: **Sun Company, Inc.,** Wheat Ridge,  
Colo.

[\*\*] Term: **14 Years**

[21] Appl. No.: **259,101**

[22] Filed: **Oct. 18, 1988**

[52] U.S. Cl. .... **D6/466; D3/62;**  
D10/74

[58] Field of Search ..... **D6/449, 466-469,**  
D6/475; D19/78, 77; D3/61, 62, 63, 64, 65,  
103; D10/68, 74; 33/355 R, 272, 364; 70/456 R,  
456 B, 458; 248/346; 206/562; 24/3 K

[56] **References Cited**

## U.S. PATENT DOCUMENTS

D. 85,748 12/1931 Greenberg ..... D19/78  
D. 289,836 5/1987 Leavitt ..... D6/466  
D. 290,056 5/1987 Hatfield ..... D3/64 X  
D. 303,939 10/1989 Yusa ..... D10/68 X

2,336,789 12/1943 Jonsson ..... 33/364  
4,572,423 2/1986 Spencer ..... 206/562  
4,888,970 12/1989 Kinzler et al. .... 70/456 R  
4,920,656 5/1990 Cross ..... 33/355 R

## FOREIGN PATENT DOCUMENTS

147880 11/1954 Sweden ..... 33/272  
1218618 1/1971 United Kingdom ..... 33/355

*Primary Examiner*—Bruce W. Dunkins

*Assistant Examiner*—Jeffrey Asch

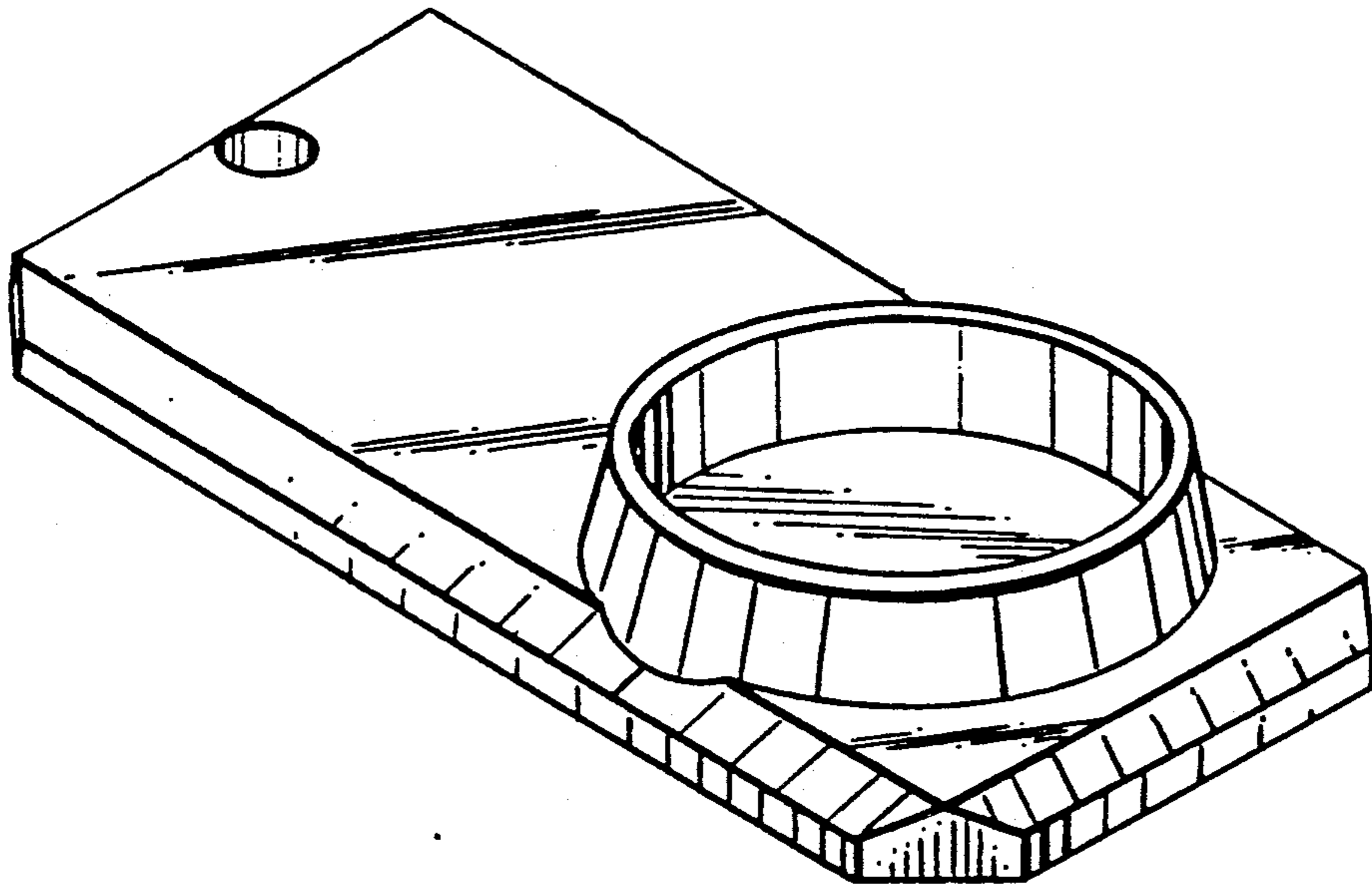
*Attorney, Agent, or Firm*—William P. O'Meara

## [57] CLAIM

The ornamental design for a holder for a compass or similar article, as shown and described.

## DESCRIPTION

FIG. 1 is a front elevational view of a holder for a compass or similar article showing our new design, of which the rear elevational view is a mirror image; FIG. 2 is a top plan view thereof; FIG. 3 is a right side elevational view thereof, of which the left side elevational view is a mirror image; FIG. 4 is a bottom plan view thereof; and FIG. 5 is a perspective view thereof.



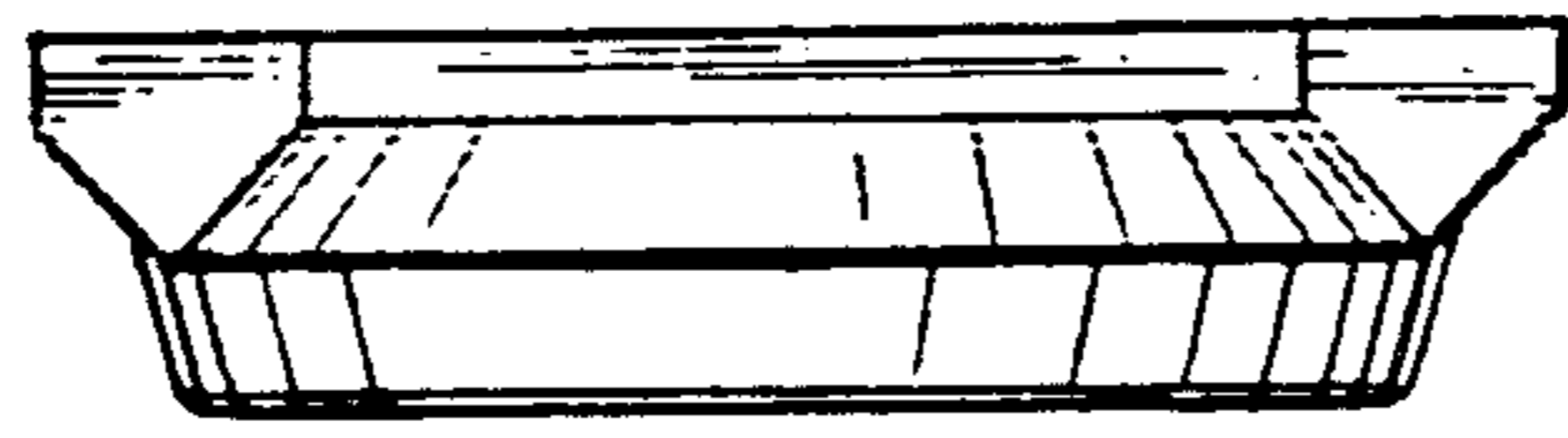


FIG. 1

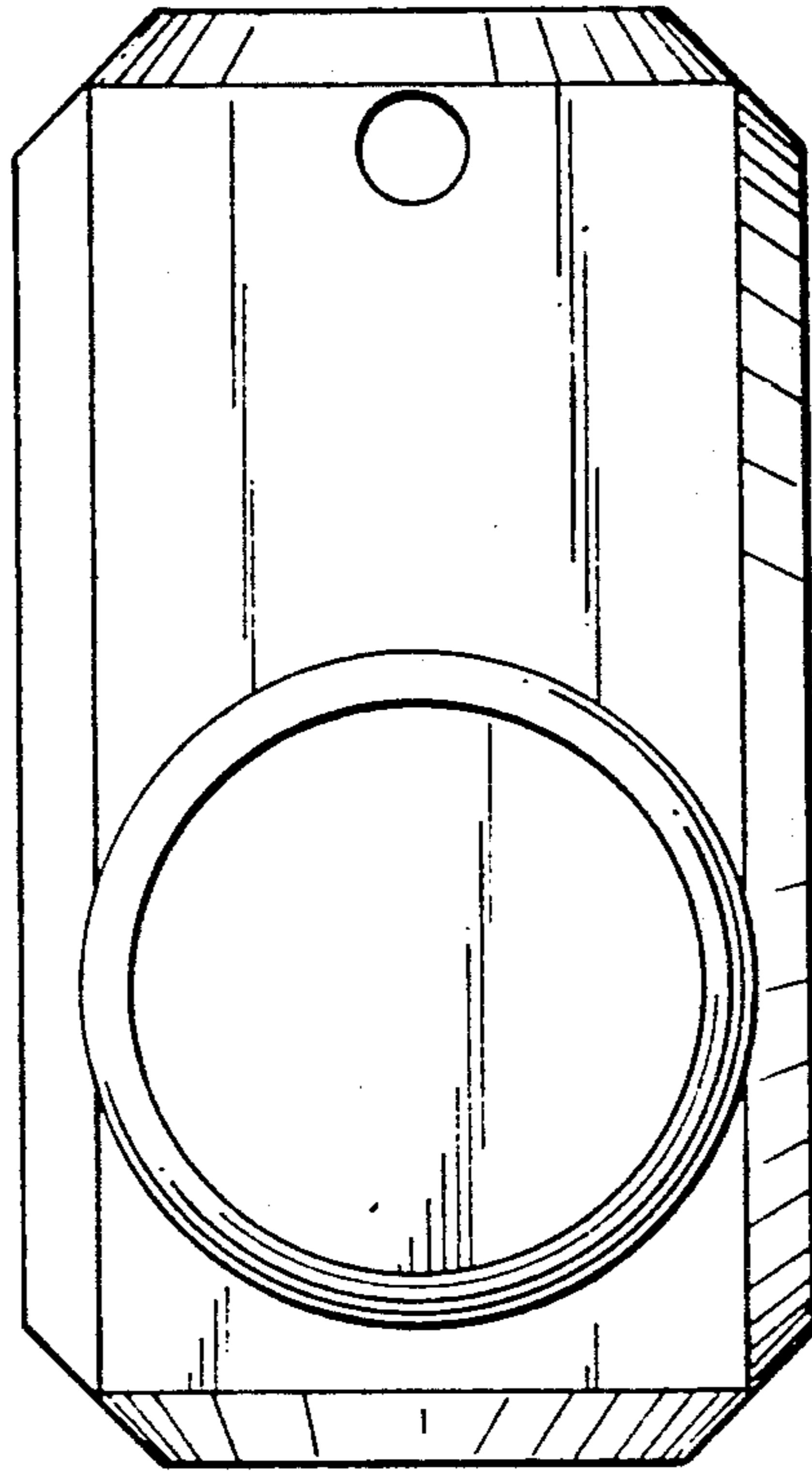


FIG. 2



FIG. 3

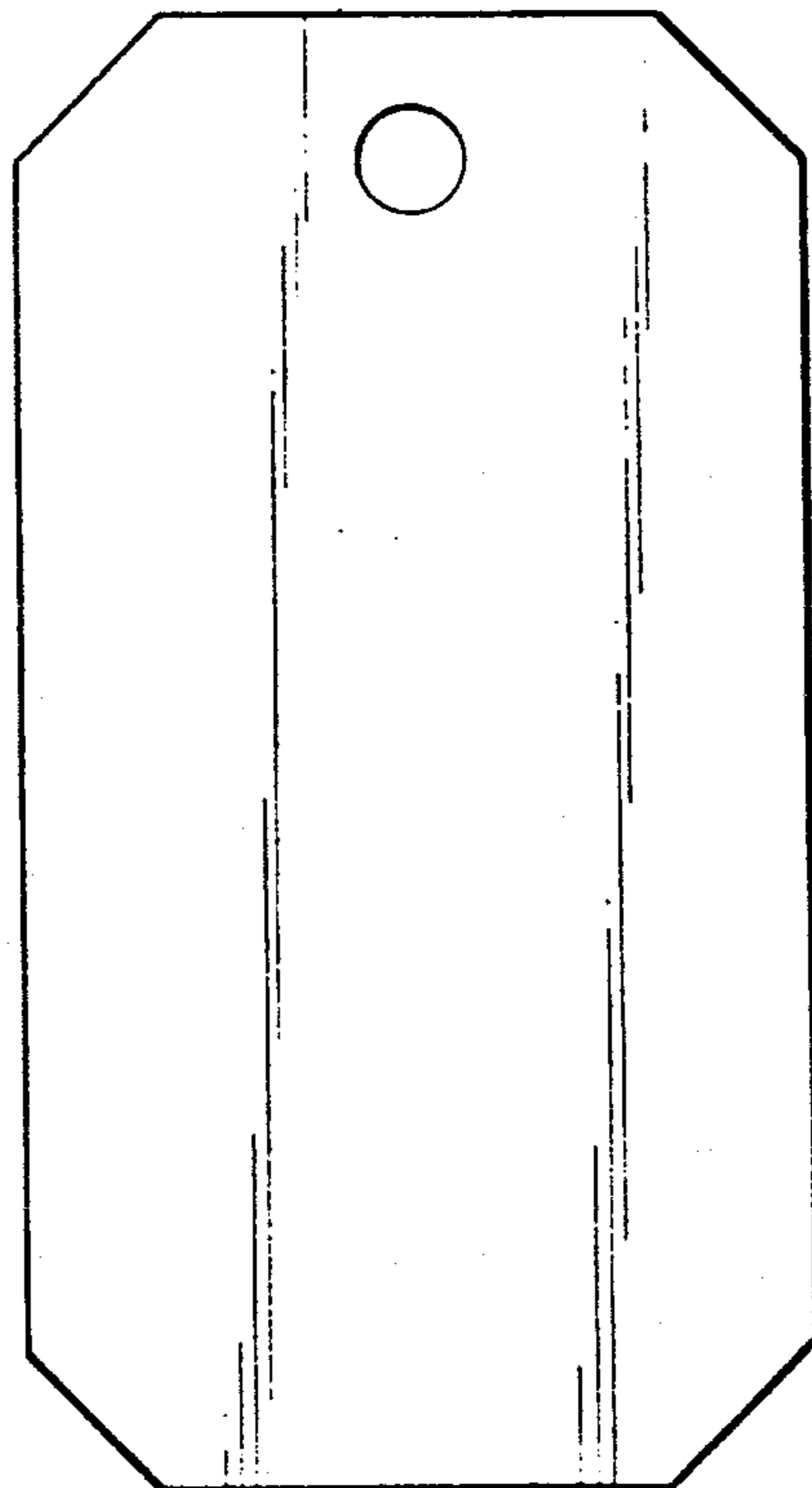


FIG. 4

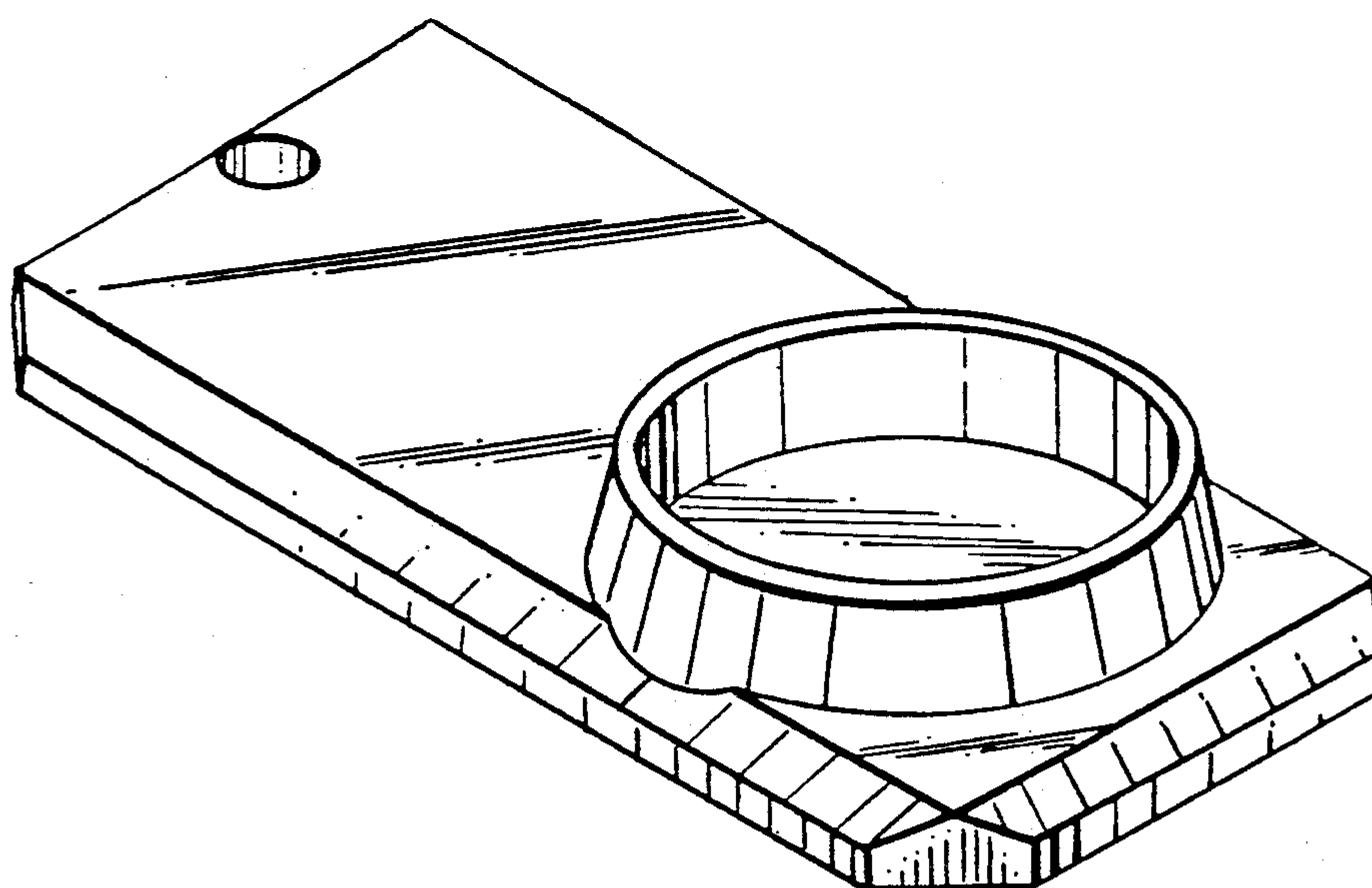


FIG. 5