

[54] JEWELRY DISPLAY STAND

[75] Inventor: Marvin D. Blum, St. Louis, Mo.

[73] Assignee: American Design Group, Inc., St. Louis, Mo.

[\*\*] Term: 14 Years

[21] Appl. No.: 300,812

[22] Filed: Jan. 23, 1989

[52] U.S. Cl. .... D6/460; D6/455

[58] Field of Search ..... D6/471, 470, 472, 449, D6/455, 457, 458, 459, 460, 461, 462, 464, 467, 474, 360; 211/163, 13

[56] References Cited

U.S. PATENT DOCUMENTS

- D. 249,311 9/1978 Coulthorst ..... D6/472 X
- D. 268,385 3/1983 Sinopoli ..... D6/471 X
- D. 300,394 3/1989 Blum et al. .... D6/471

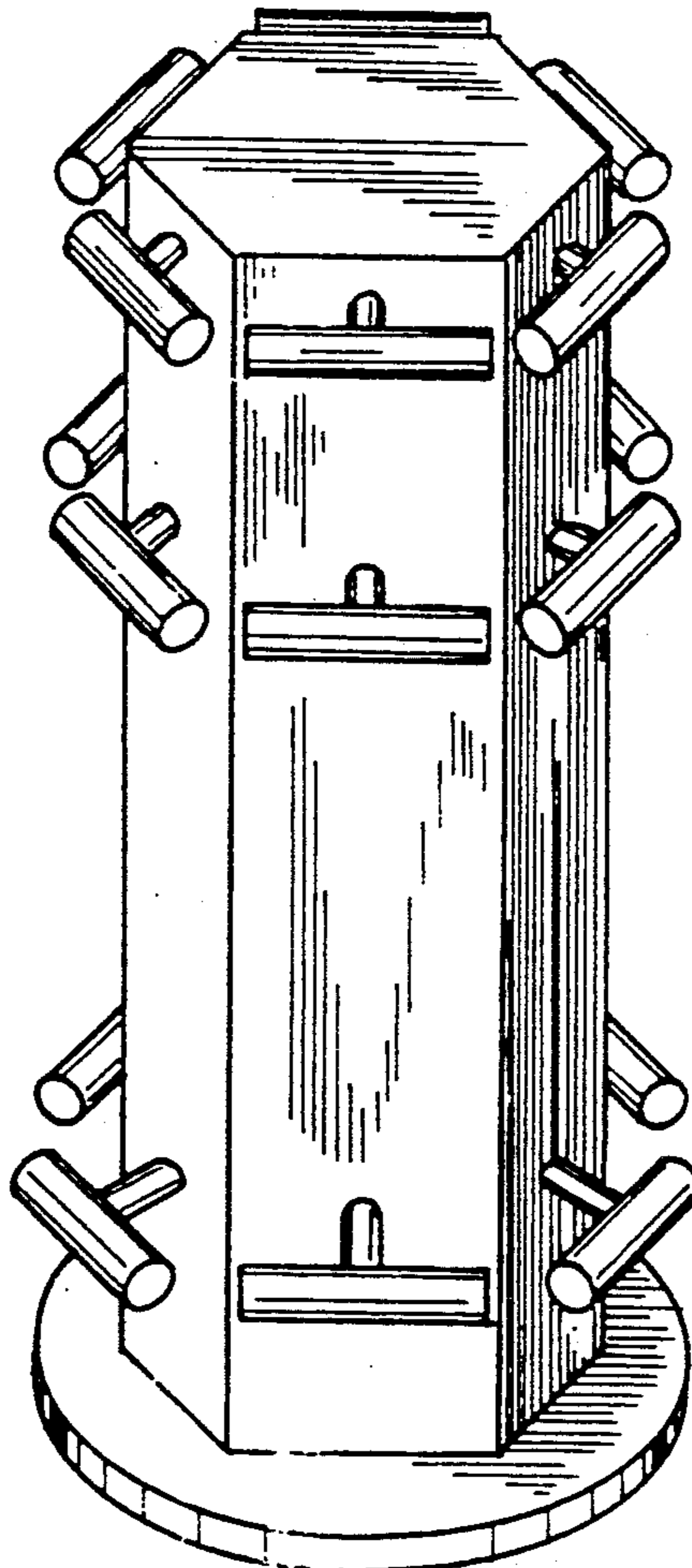
Primary Examiner—Bruce W. Dunkins  
Assistant Examiner—Jeffrey Asch  
Attorney, Agent, or Firm—Paul M. Denk

[57] CLAIM

The ornamental design for a jewelry display stand, as shown and described.

DESCRIPTION

In referring to the drawings, FIG. 1 is a rear perspective view of a jewelry display stand showing my new design;  
 FIG. 2 is a top plan view thereof;  
 FIG. 3 is a front elevational view thereof;  
 FIG. 4 is a right side elevational view thereof, the left side being a mirror image thereof;  
 FIG. 5 is a bottom plan view thereof;  
 FIG. 6 is a rear and left side perspective view of a second embodiment of the display stand of FIG. 1;  
 FIG. 7 is a top plan view thereof;  
 FIG. 8 is a front and right side elevational view thereof;  
 FIG. 9 is a right side elevational view, the left side being a mirror image thereof;  
 FIG. 10 is a bottom plan view thereof;  
 FIG. 11 is a front perspective view of a third embodiment of the display stand of FIG. 1;  
 FIG. 12 is a top plan view thereof;  
 FIG. 13 is a front elevational view thereof;  
 FIG. 14 is a rear elevational view thereof, and;  
 FIG. 15 is a bottom plan view thereof.



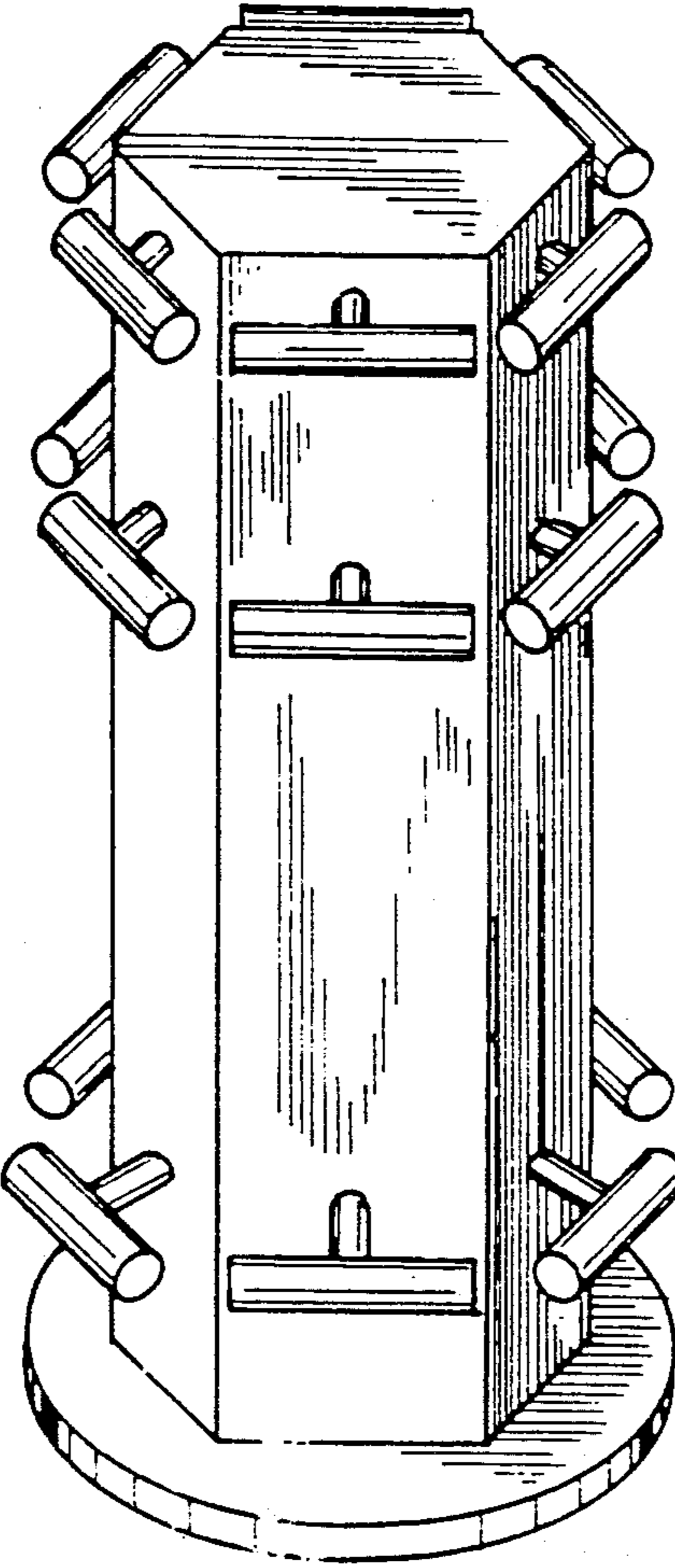


FIG. 1.

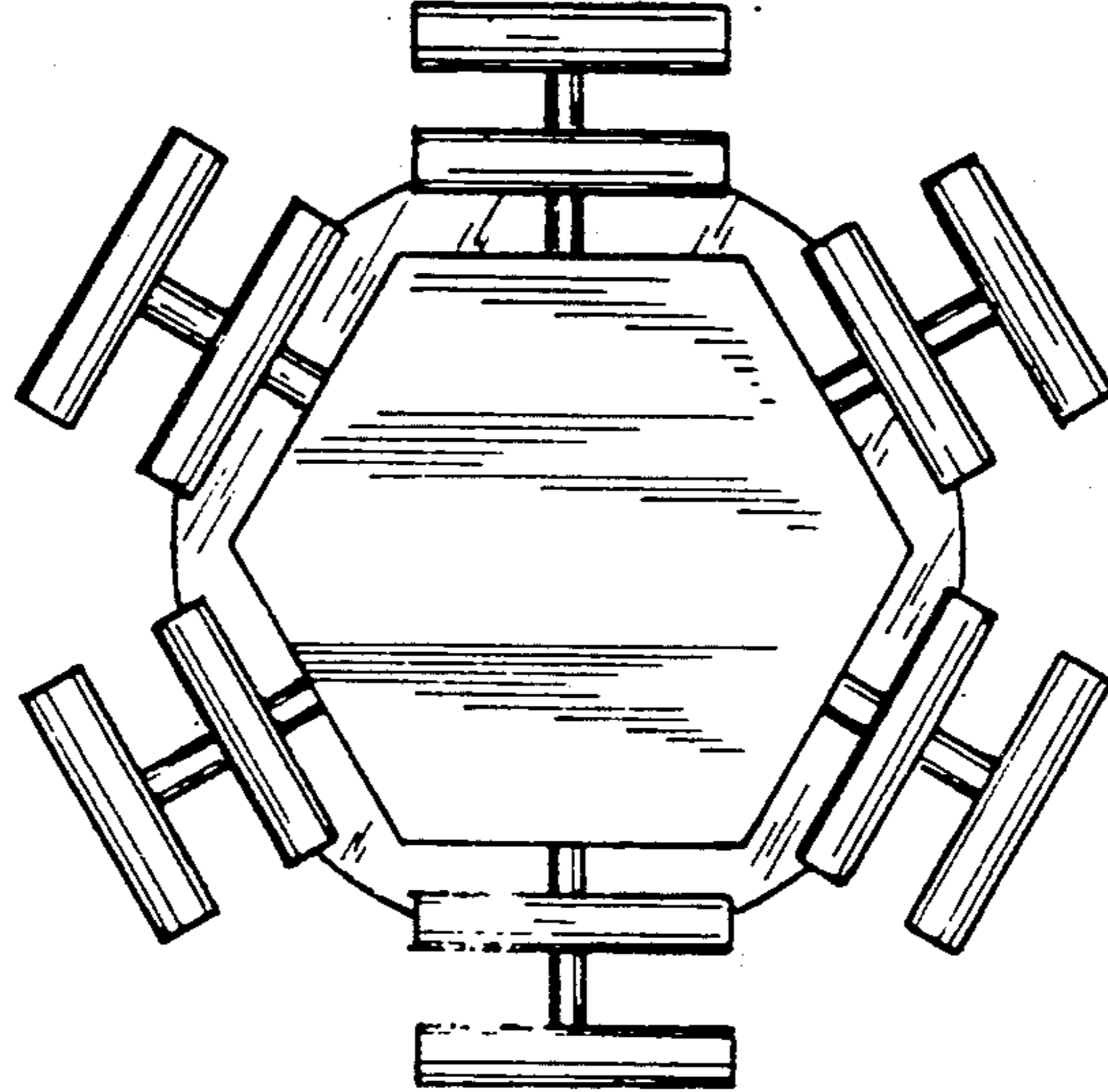


FIG. 2.

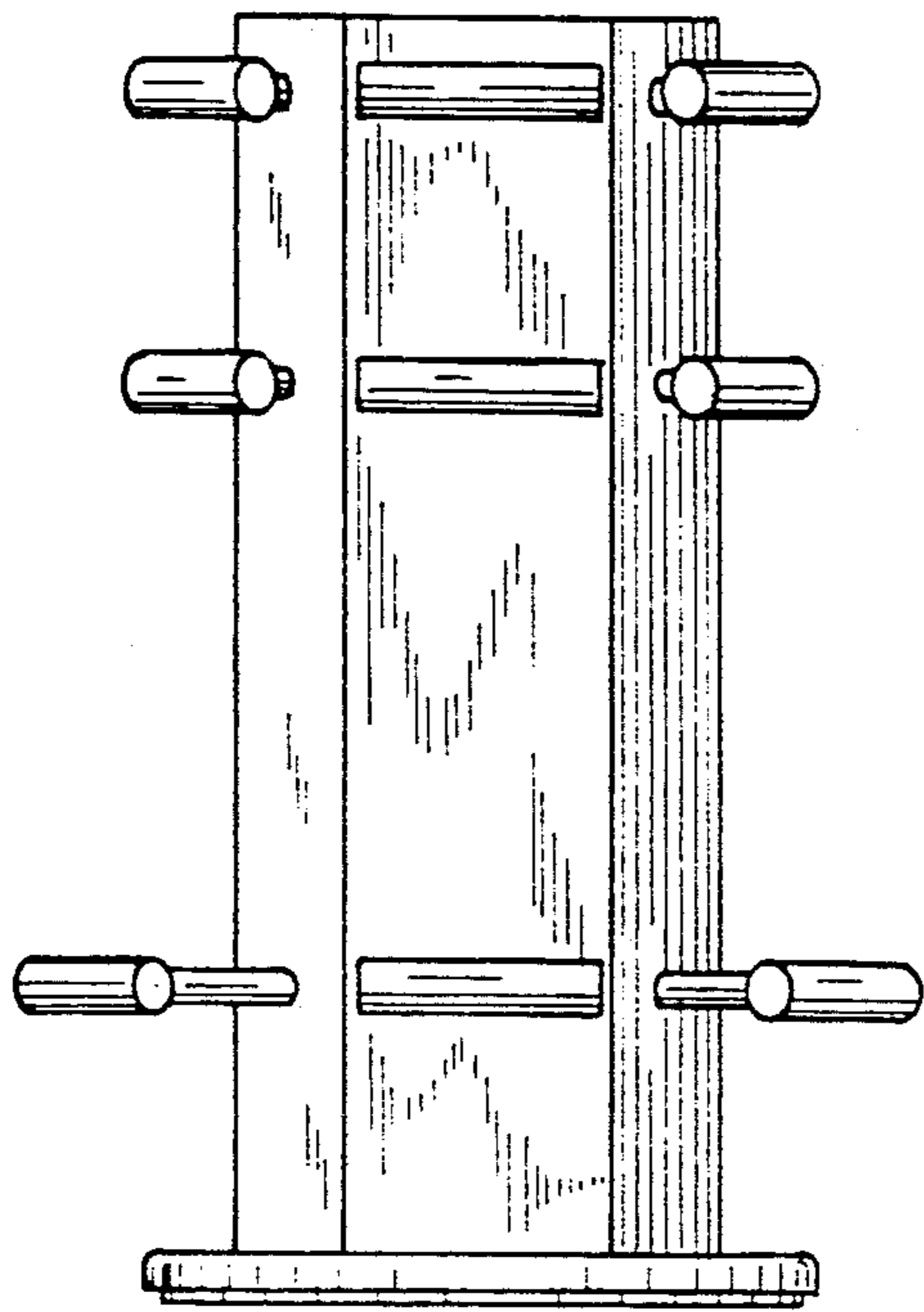


FIG. 3.

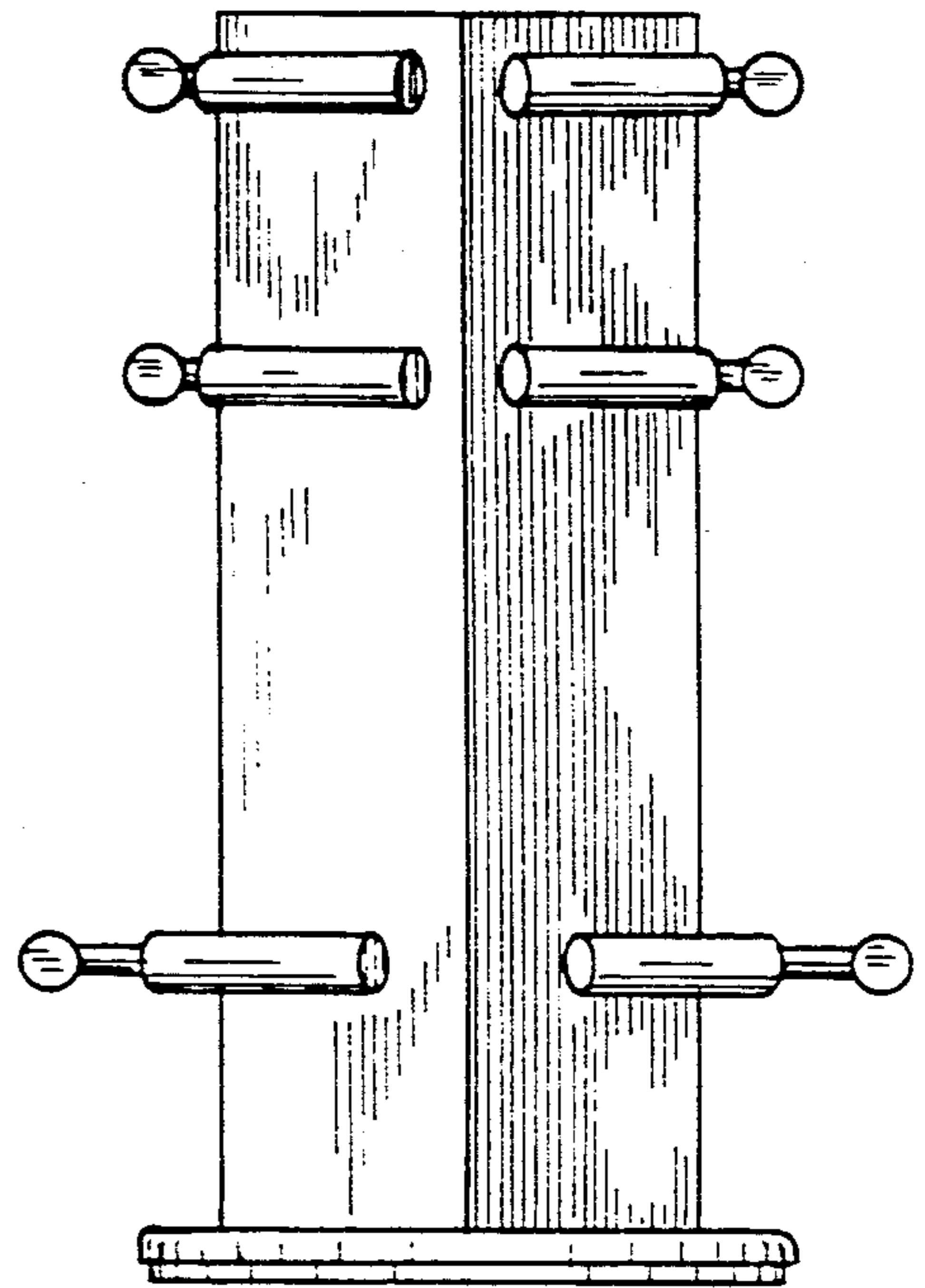


FIG. 4.

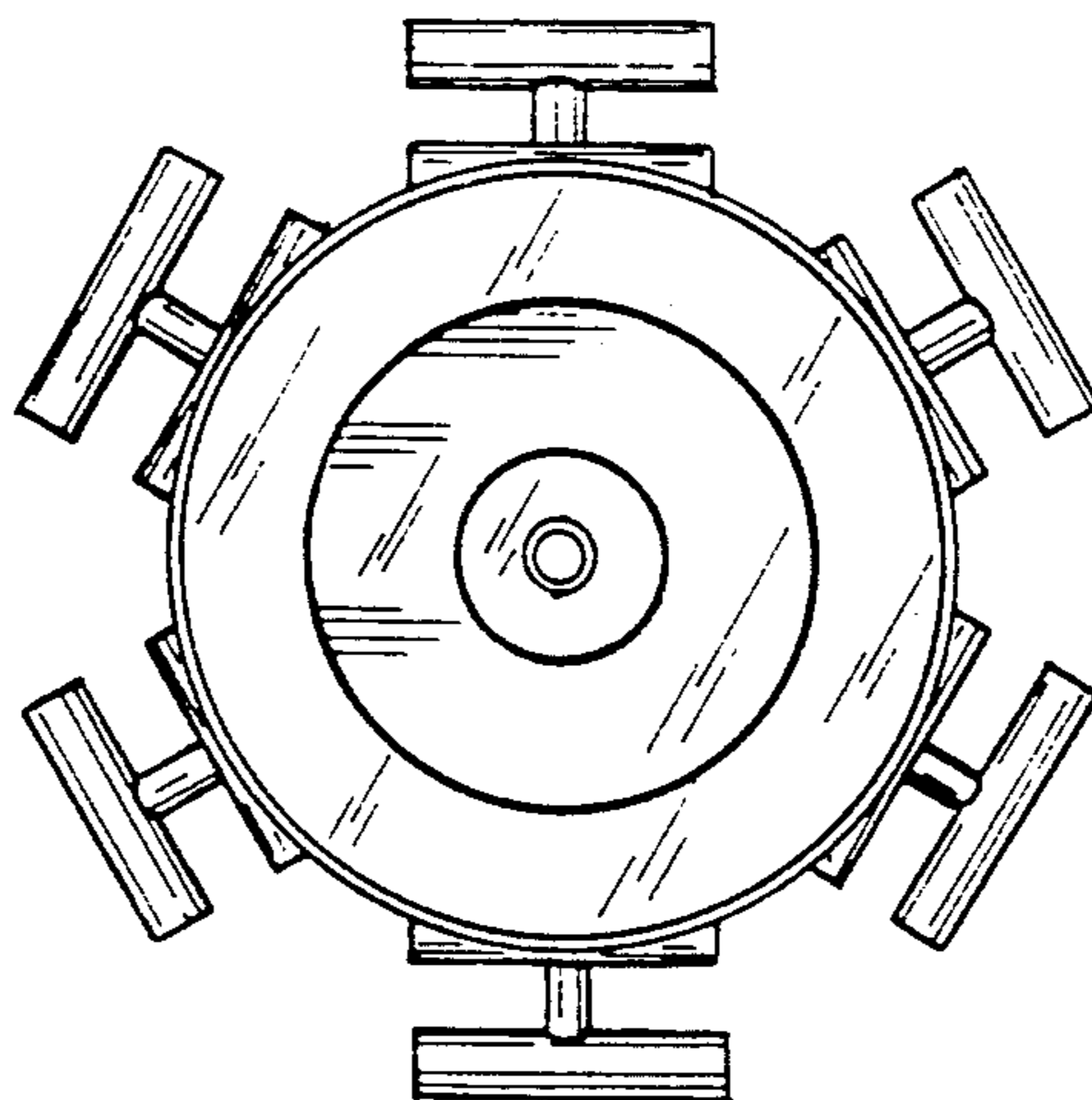


FIG. 5

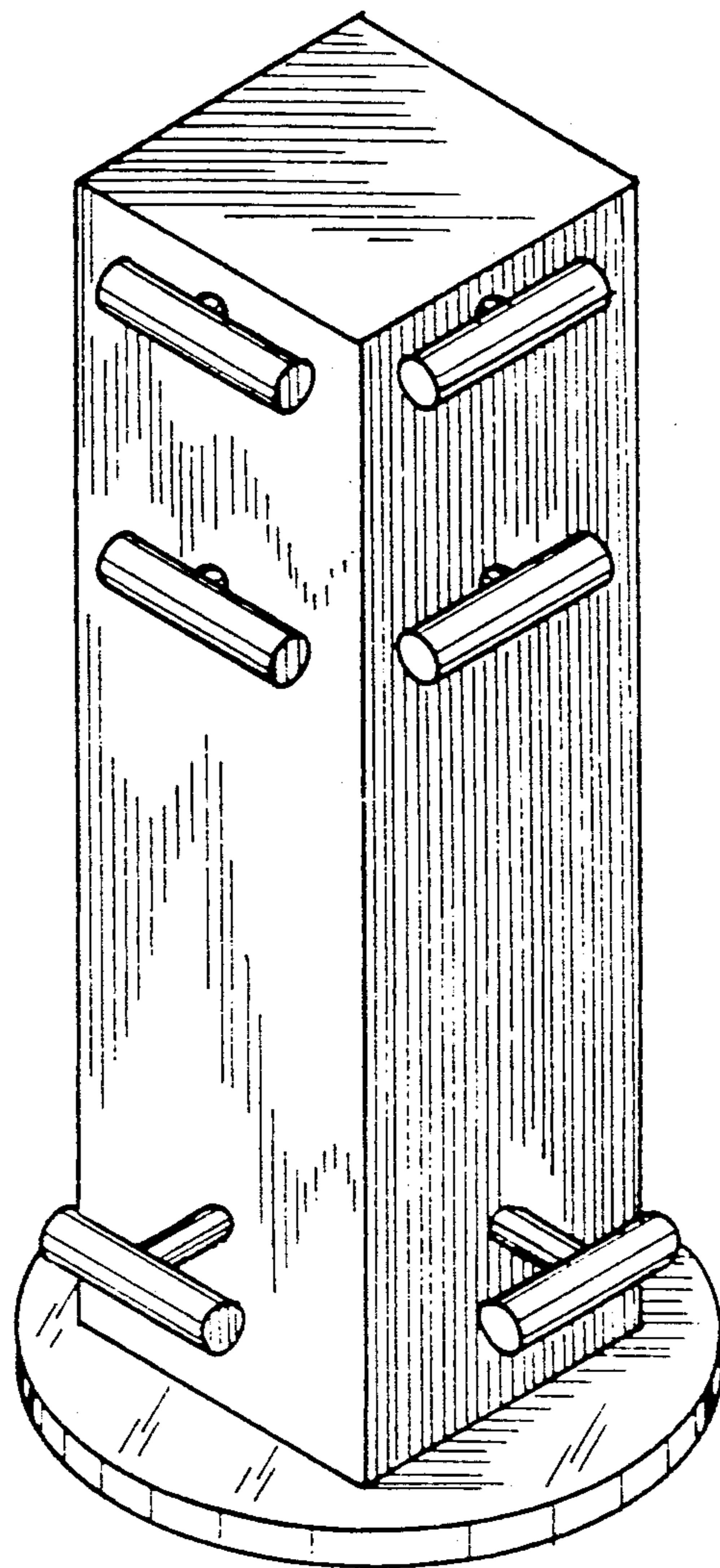


FIG. 6.

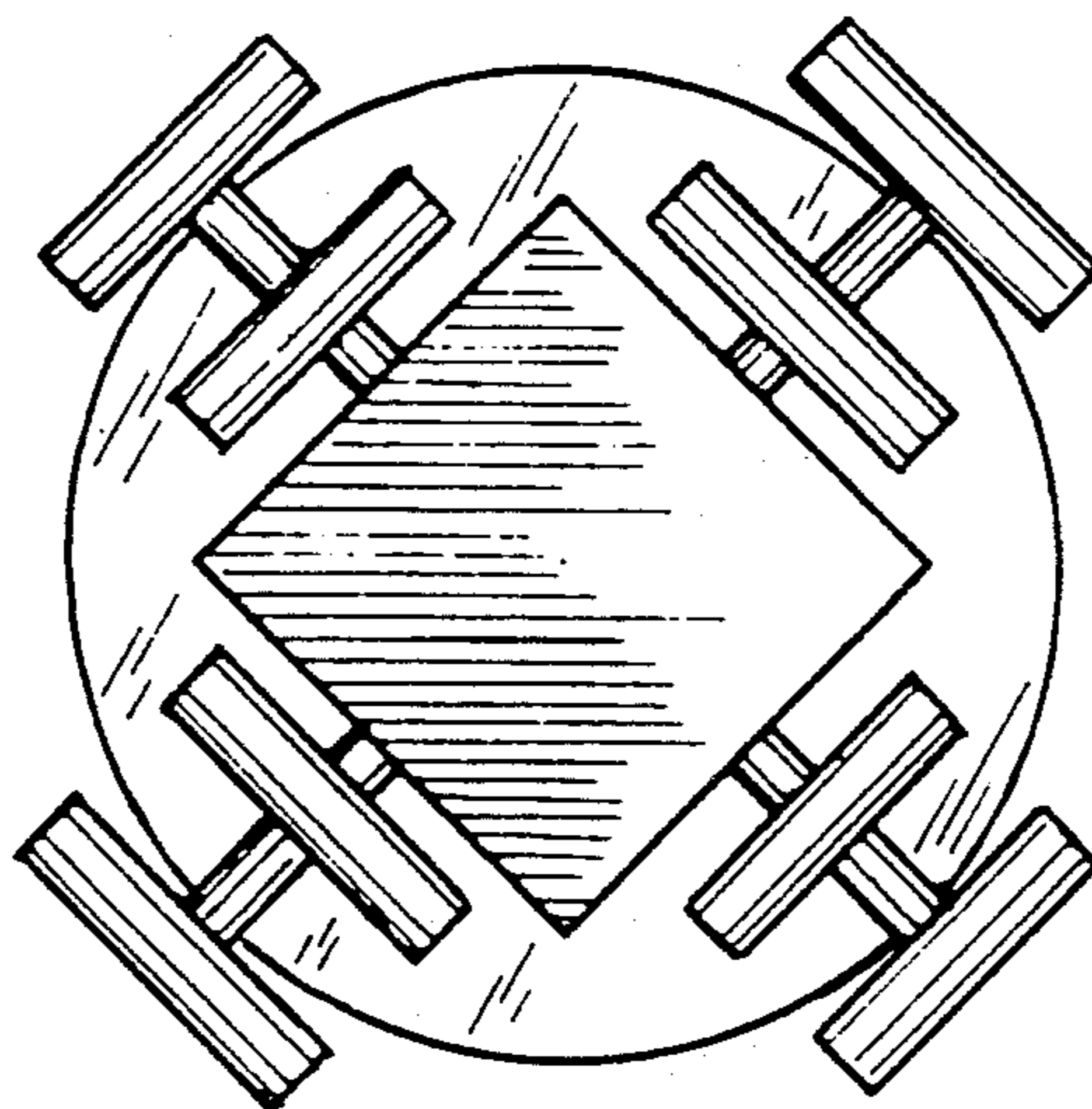


FIG. 7.

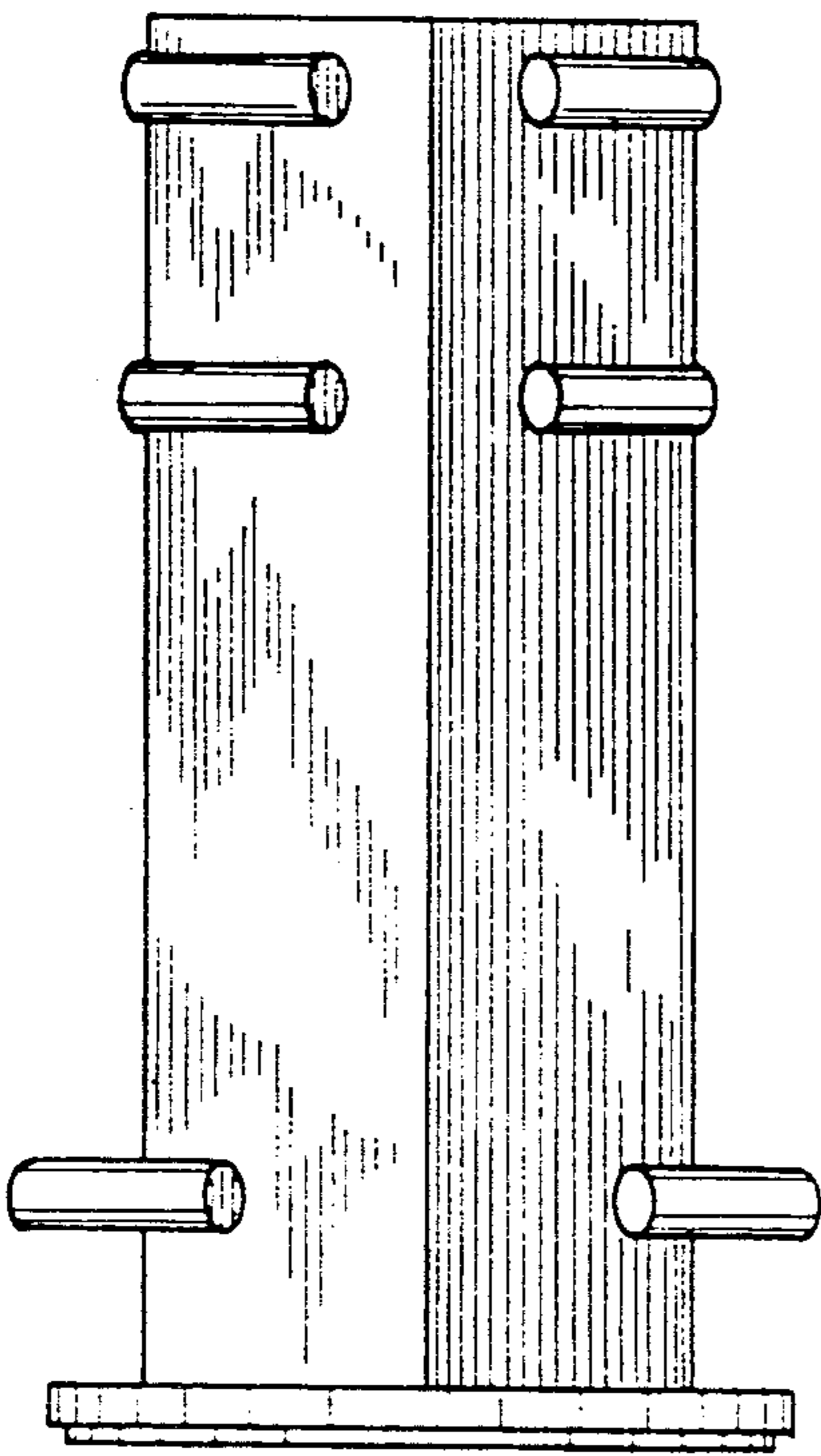


FIG. 8.

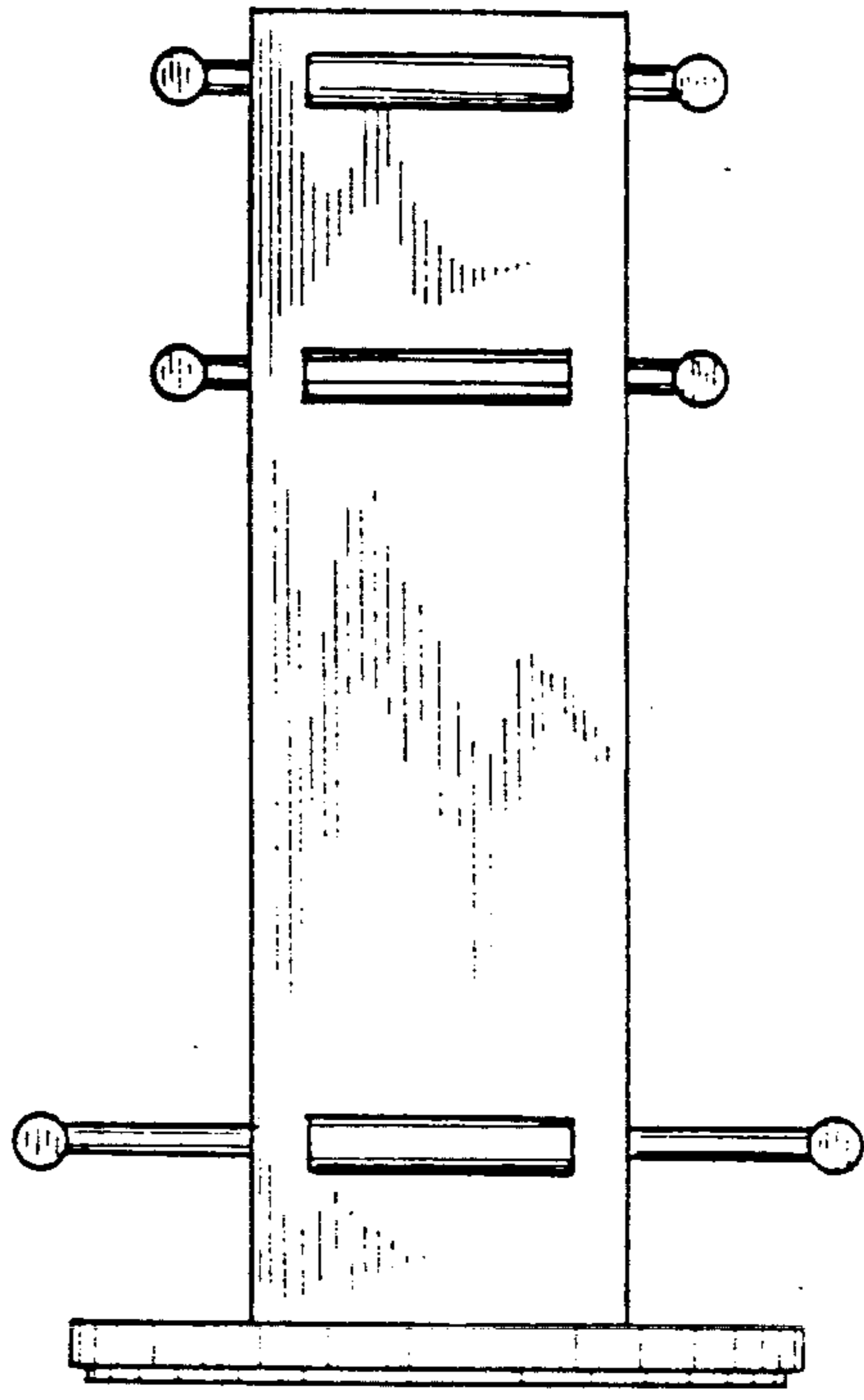


FIG. 9.

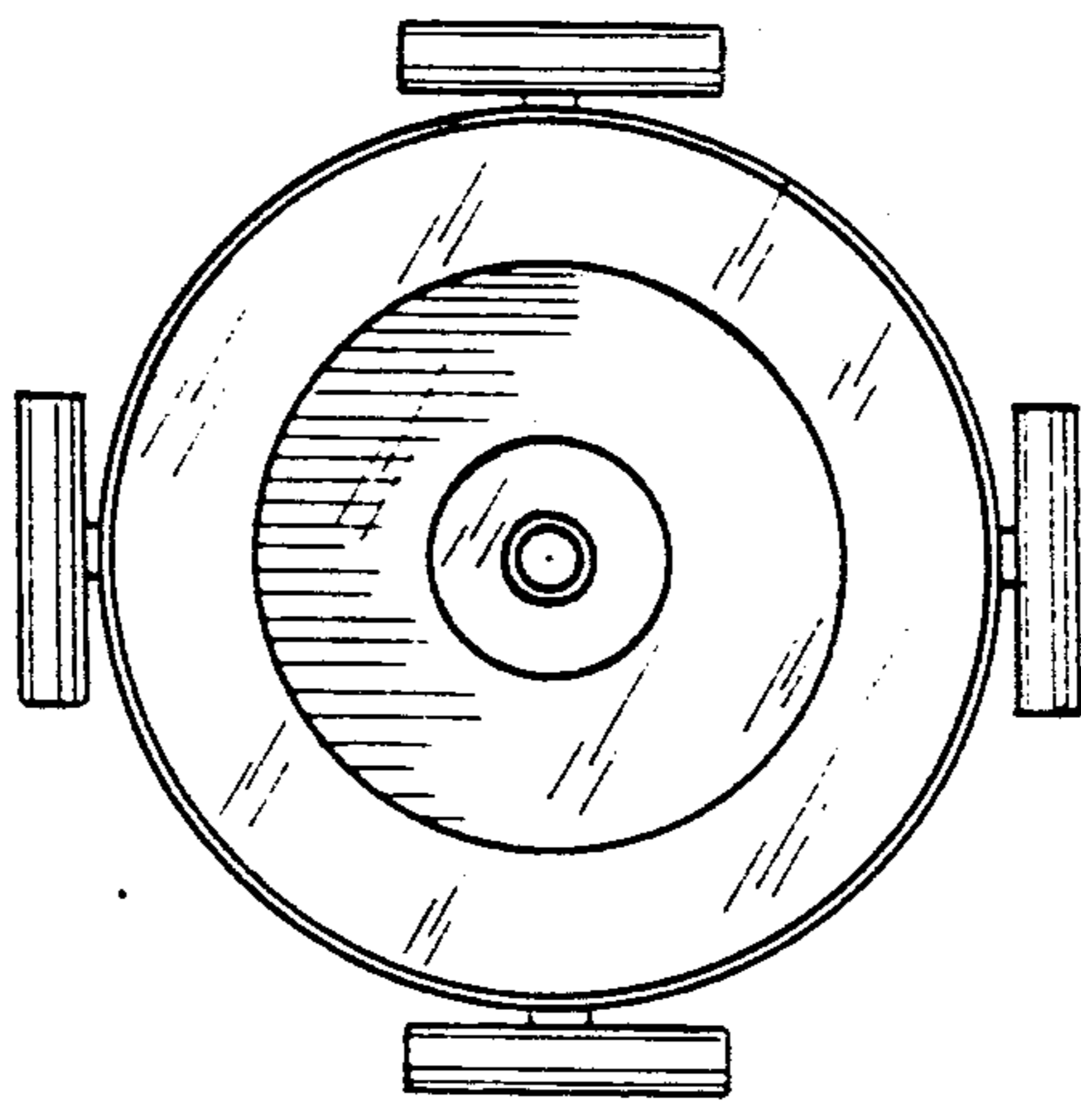


FIG. 10.

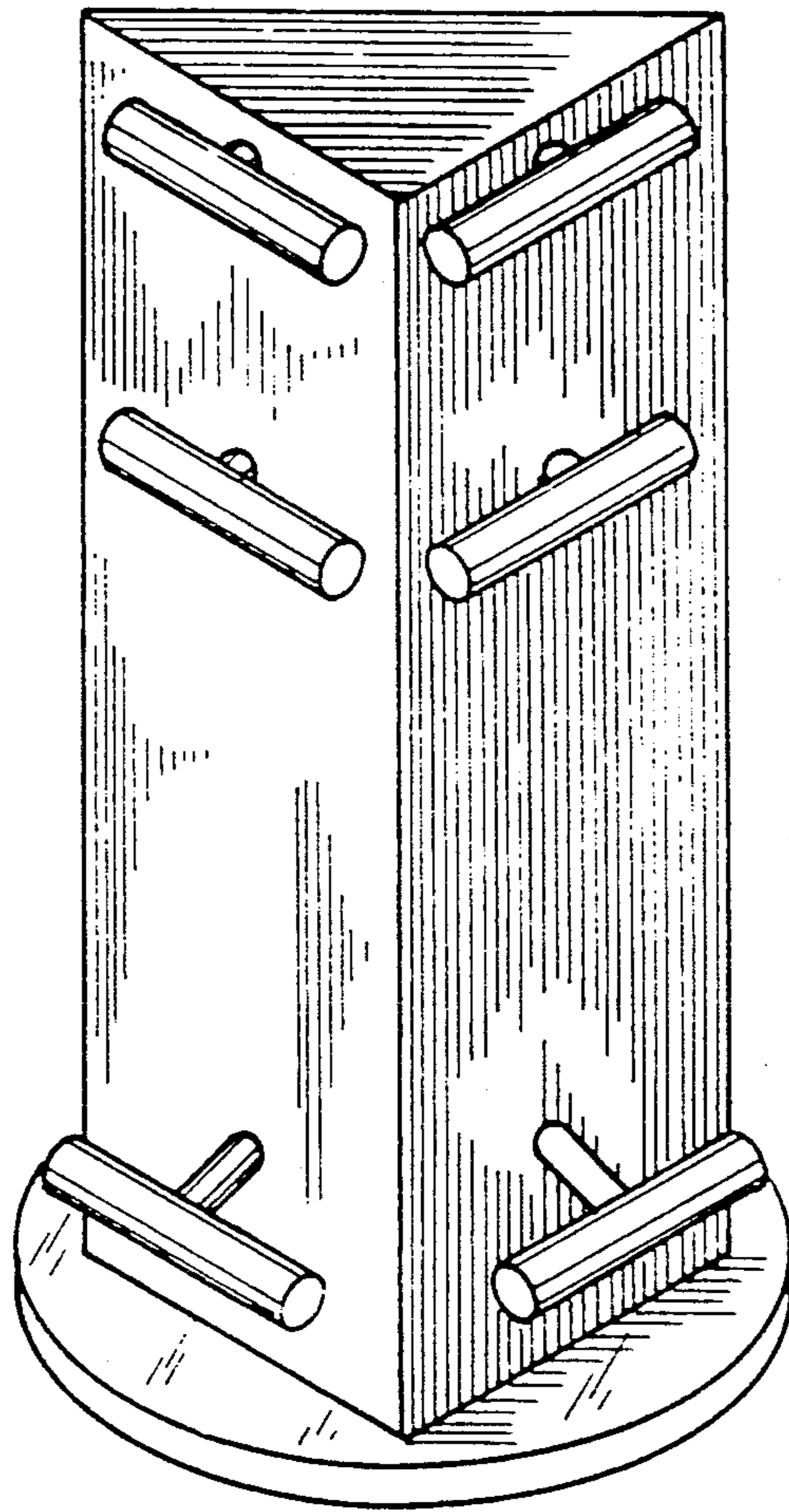


FIG. 11.

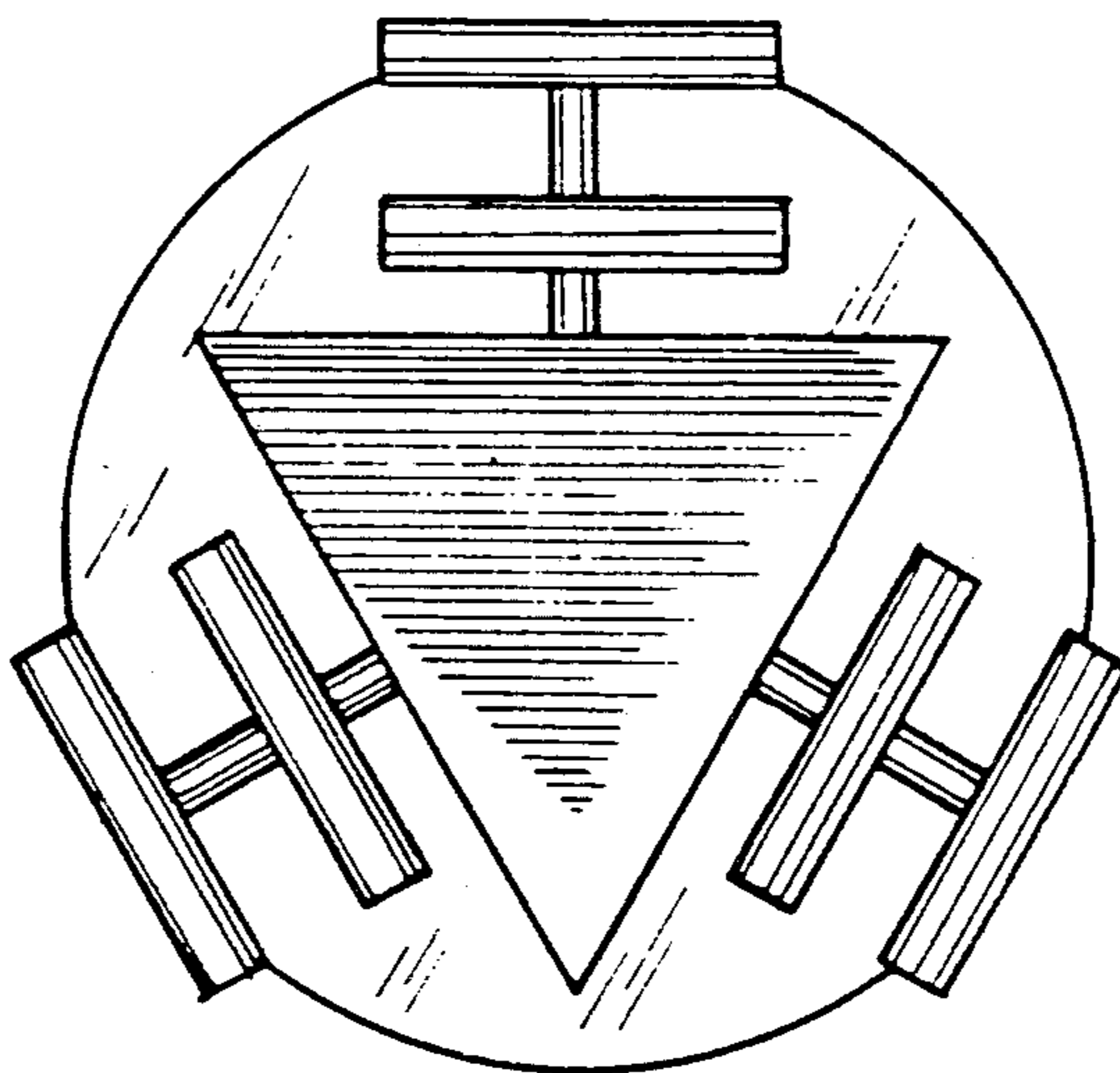


FIG. 12.

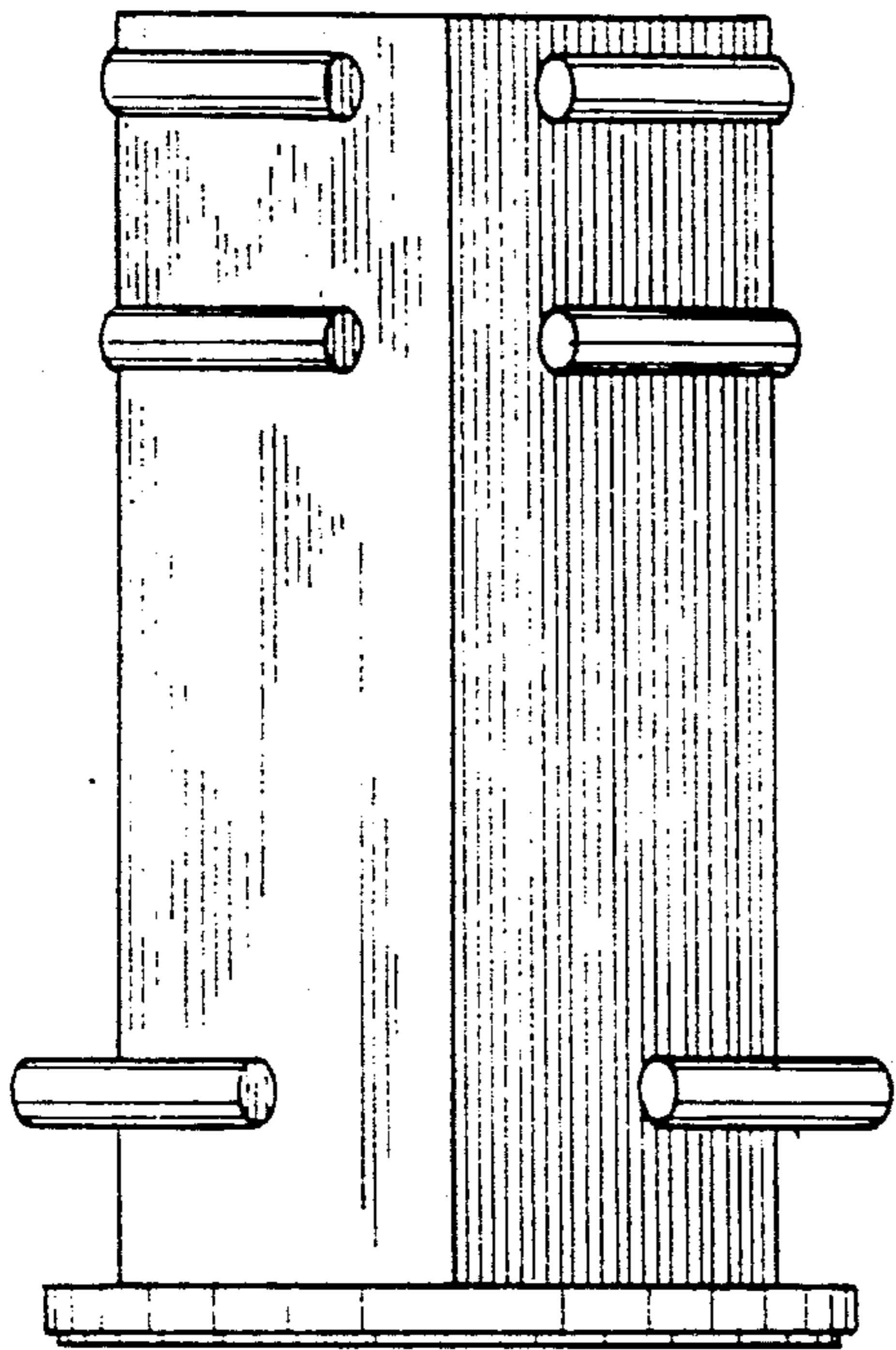


FIG. 13.

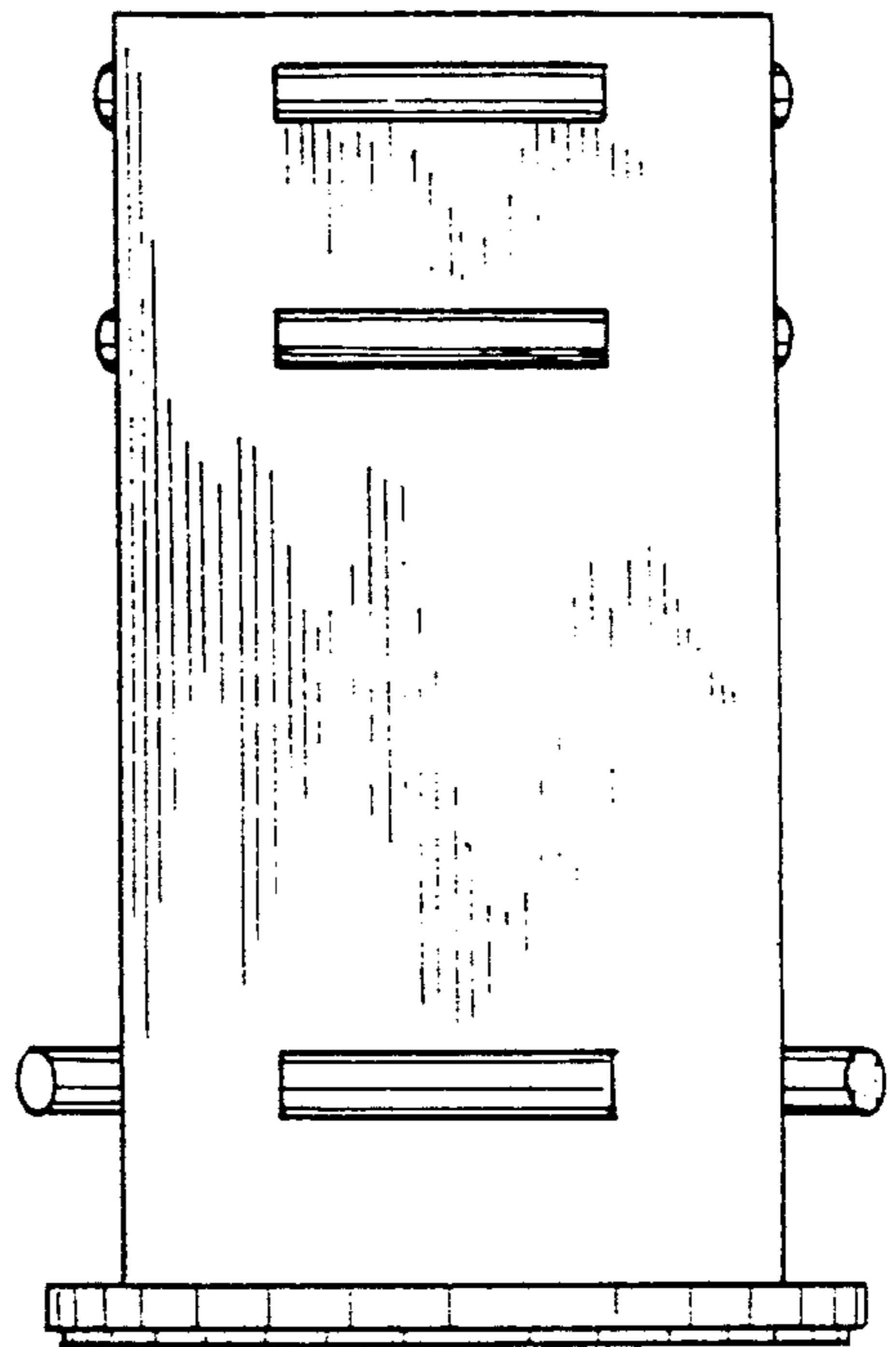


FIG. 14.

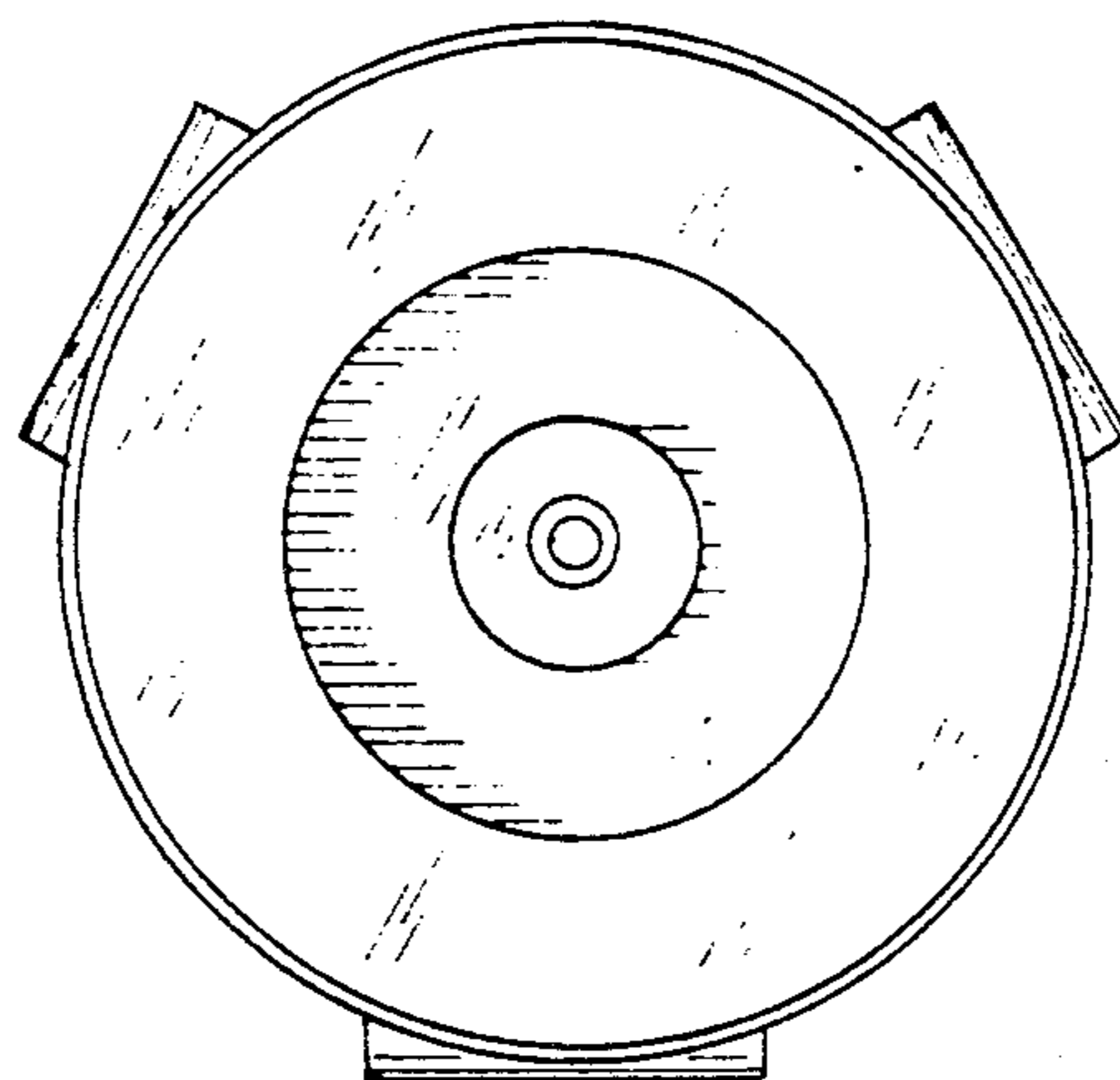


FIG. 15.