

[54] CHAIR

[75] Inventor: Tetsuya Narita, Funabashi, Japan

[73] Assignee: Okamura Corporation, Kanagawa, Japan

[*] Notice: The portion of the term of this patent subsequent to Sep. 10, 2005 has been disclaimed.

[**] Term: 14 Years

[21] Appl. No.: 148,360

[22] Filed: Jan. 25, 1988

[52] U.S. Cl. D6/366

[58] Field of Search D6/366, 379, 380

[56] References Cited

U.S. PATENT DOCUMENTS

- D. 233,809 12/1974 Platner D6/375
- D. 295,925 5/1988 Uredat-Neuhoff D6/366
- D. 298,188 10/1988 Hensel D6/366

D. 298,593 11/1988 Vogtherr D6/366

OTHER PUBLICATIONS

- Interiors, May 1981, p. 5, Giroflex Chair.
- Interiors, Jul. 1981, p. 39, Curtis Chair.
- Steelcase Catalog, p. 12, Chair.
- Interiors, Jun. 1985, p. 39, Gunlocke Chair.

Primary Examiner—Bruce W. Dunkins
 Assistant Examiner—Gary D. Watson
 Attorney, Agent, or Firm—Poms, Smith, Lande & Rose

[57] CLAIM

The ornamental design for a chair, as shown.

DESCRIPTION

FIG. 1 is a front perspective view of the chair showing my new design;
 FIG. 2 is a front elevational view;
 FIG. 3 is a right side elevational view;
 FIG. 4 is a rear elevational view;
 FIG. 5 is a top plan view; and
 FIG. 6 is a bottom plan view thereof.



FIG. 1



FIG. 2

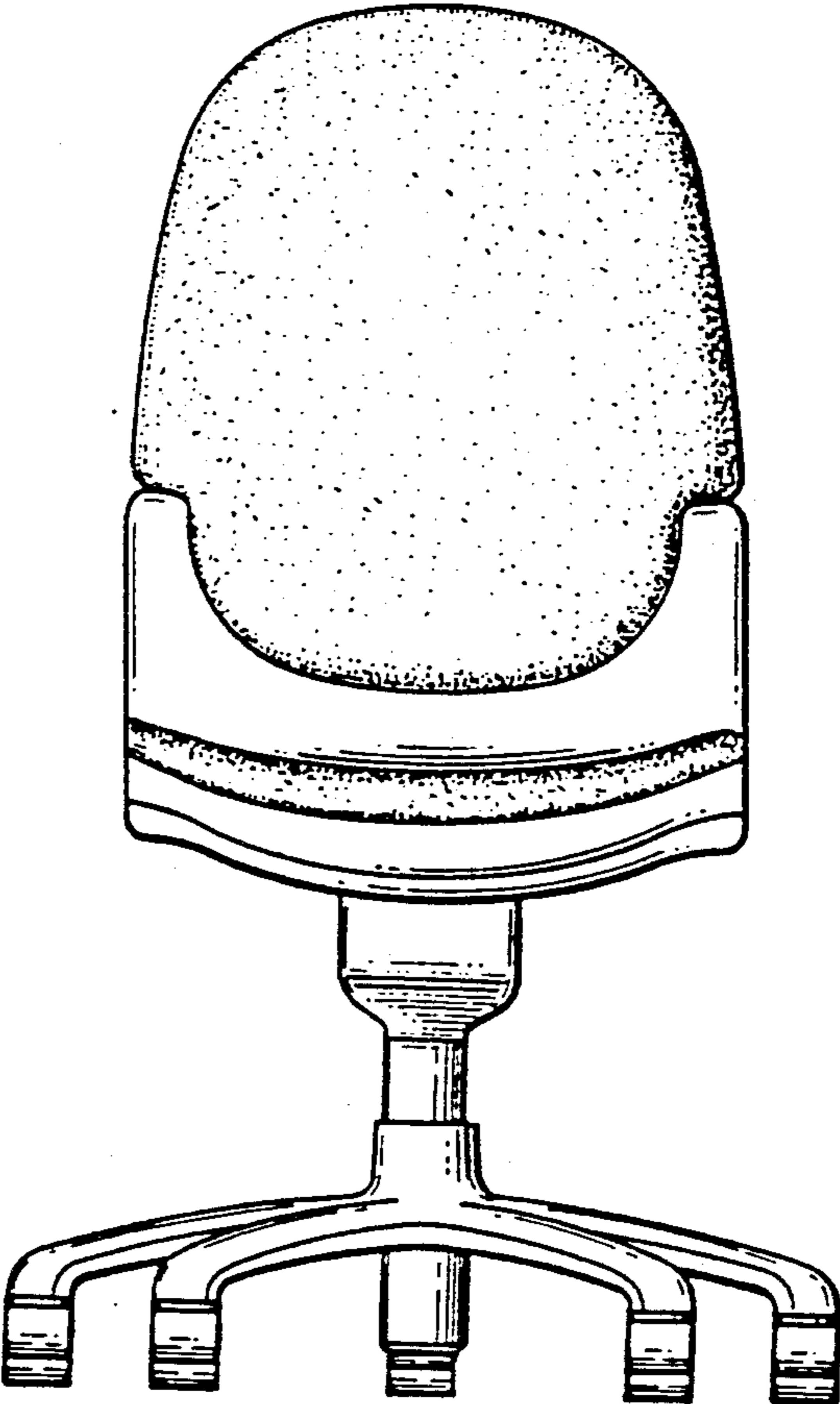


FIG. 3

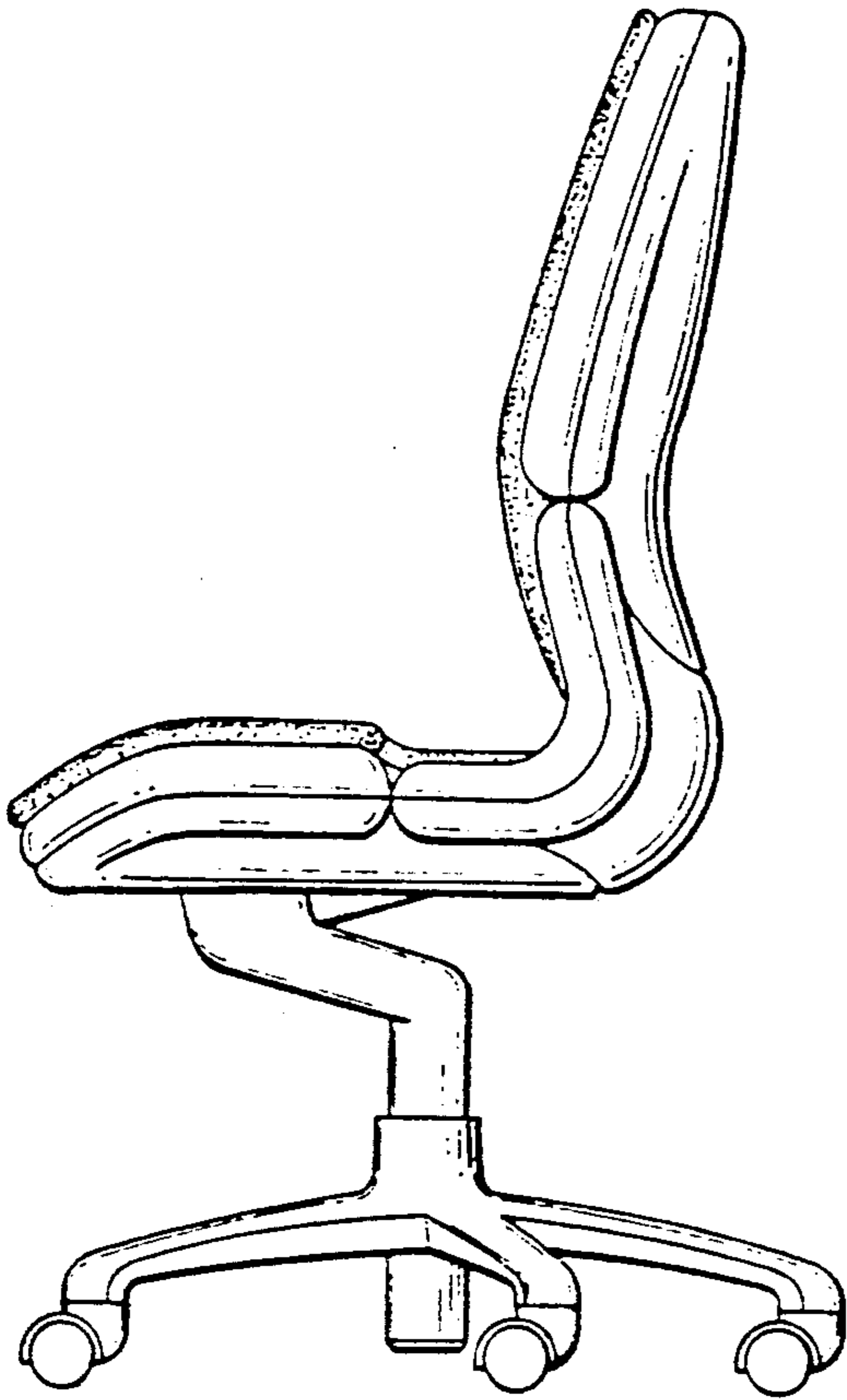


FIG. 4

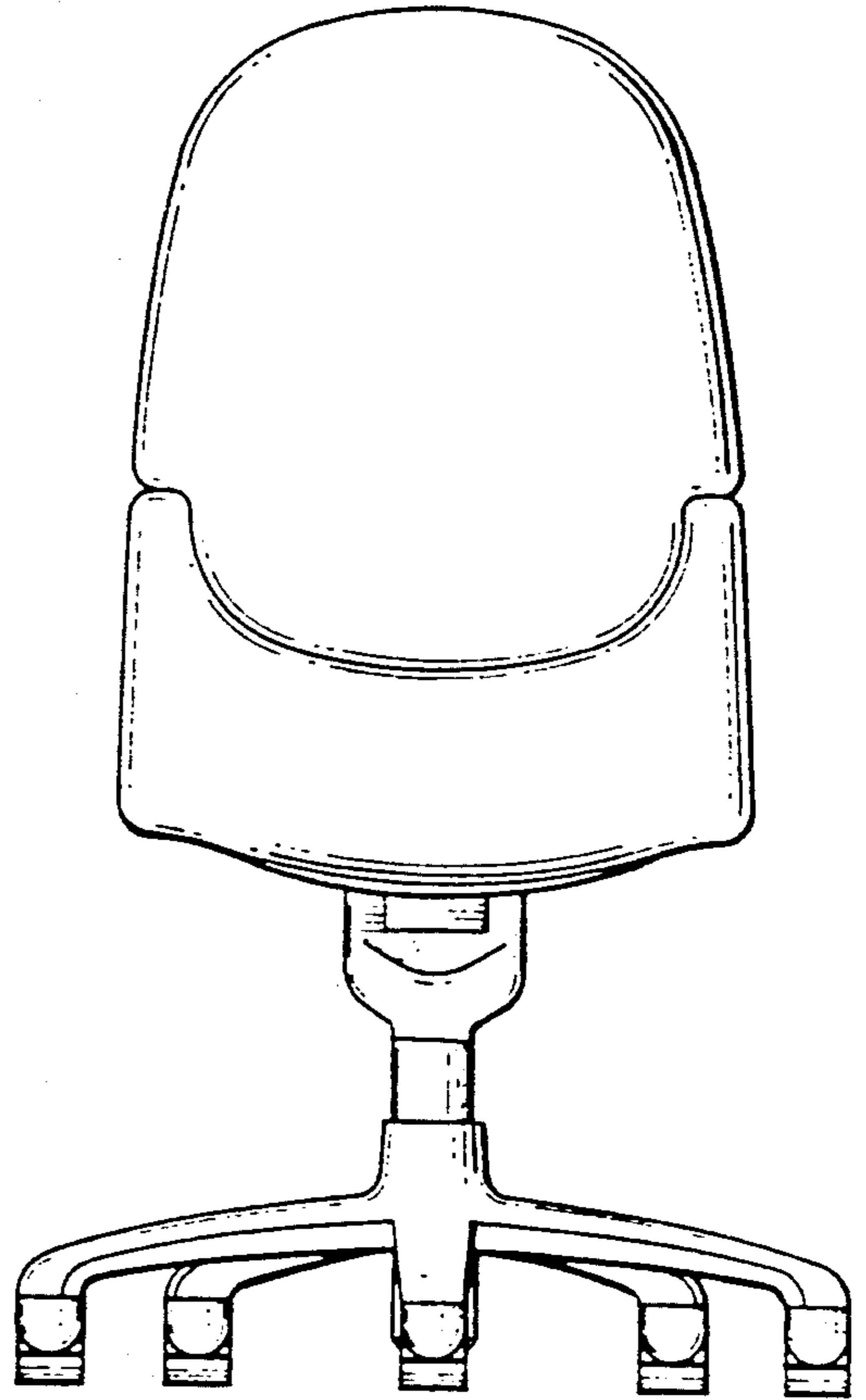


FIG. 5

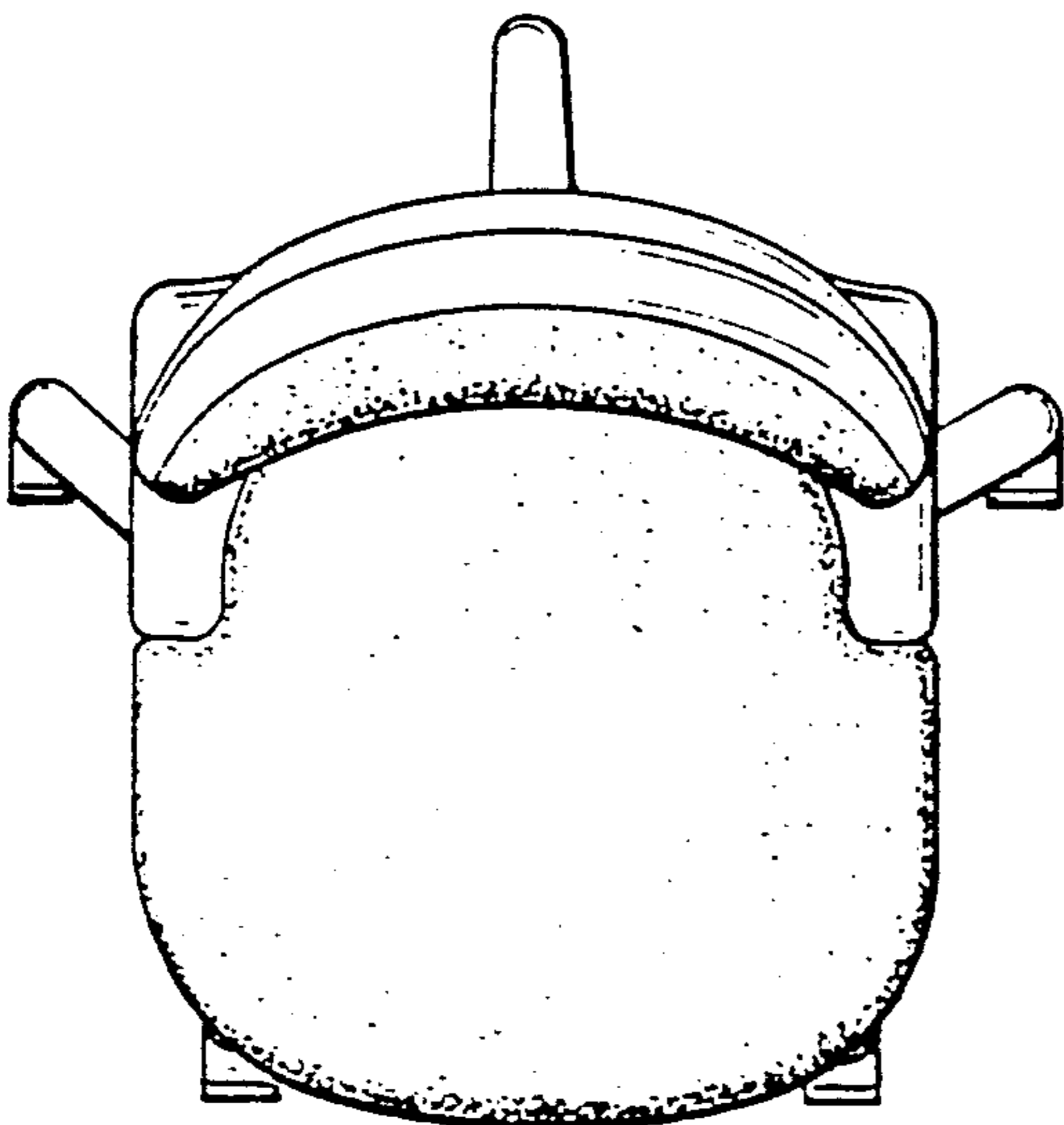


FIG. 6

