

[54] HOOK

[76] Inventors: Sheldon H. Goodman, 4079 Princeton Blvd., South Euclid, Ohio 44121; Steven E. Greenhut, 21646 Club Villa Ter., Boca Raton, Fla. 33433

[\*\*] Term: 14 Years

[21] Appl. No.: 279,129

[22] Filed: Dec. 2, 1988

[52] U.S. Cl. .... D6/323

[58] Field of Search ..... D6/323, 524, 553; 248/205.3, 223.4, 304, 340, 301, 215; D8/367, 371

[56] References Cited

U.S. PATENT DOCUMENTS

D. 195,123	4/1963	Clayton	.....	D8/367
D. 259,019	4/1981	Einhorn	.....	D8/367
D. 285,529	9/1986	Huxhold et al.	.....	D8/367
D. 291,630	9/1987	Chap	.....	D6/323
D. 300,089	3/1989	Edwards	.....	D8/371
D. 304,545	11/1989	Hurrelbrink	.....	D8/367
3,891,176	6/1975	Downing et al.	.....	248/340

OTHER PUBLICATIONS

Selfix Catalog, 1987, Boutique Hook.  
Selfix Catalog, 1987, 2120 Large Double Hook.  
Sweet's Catalog, No. 10, 1981, REI Corp., 917 Coat Hook.

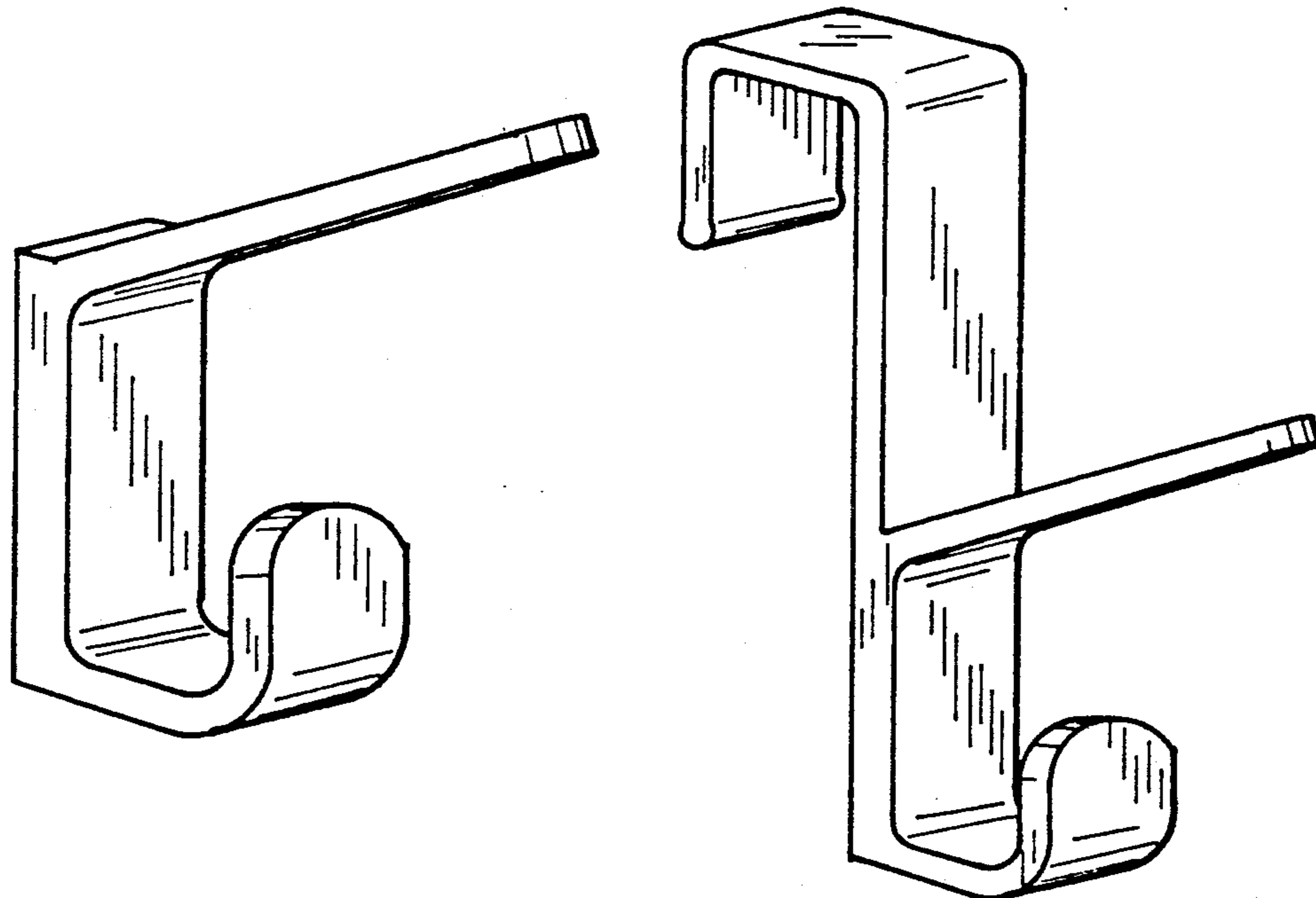
Primary Examiner—Bernard Ansher  
Assistant Examiner—Philip Hyder  
Attorney, Agent, or Firm—Pearne, Gordon, McCoy & Granger

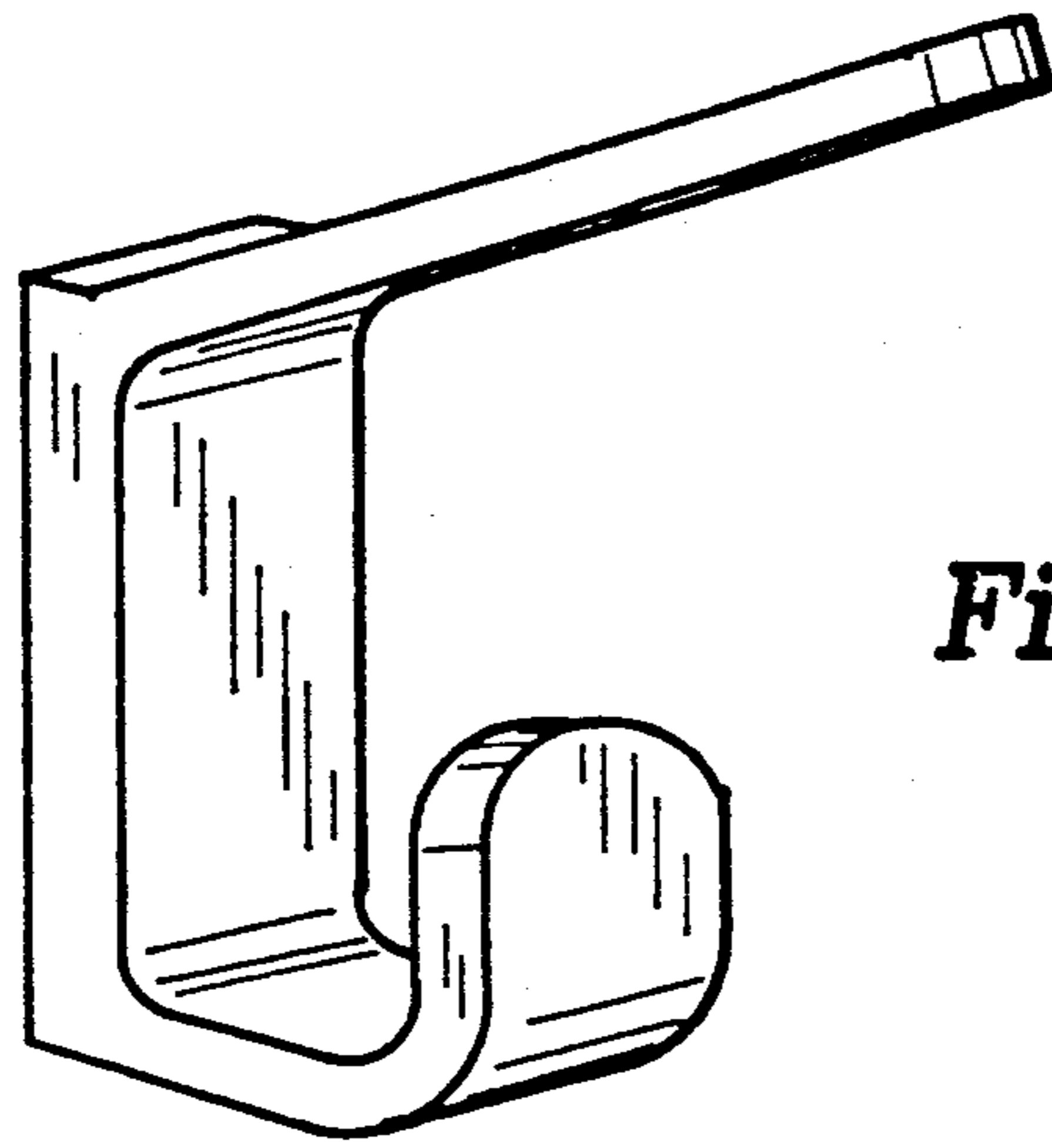
[57] CLAIM

The ornamental design for a hook, as shown.

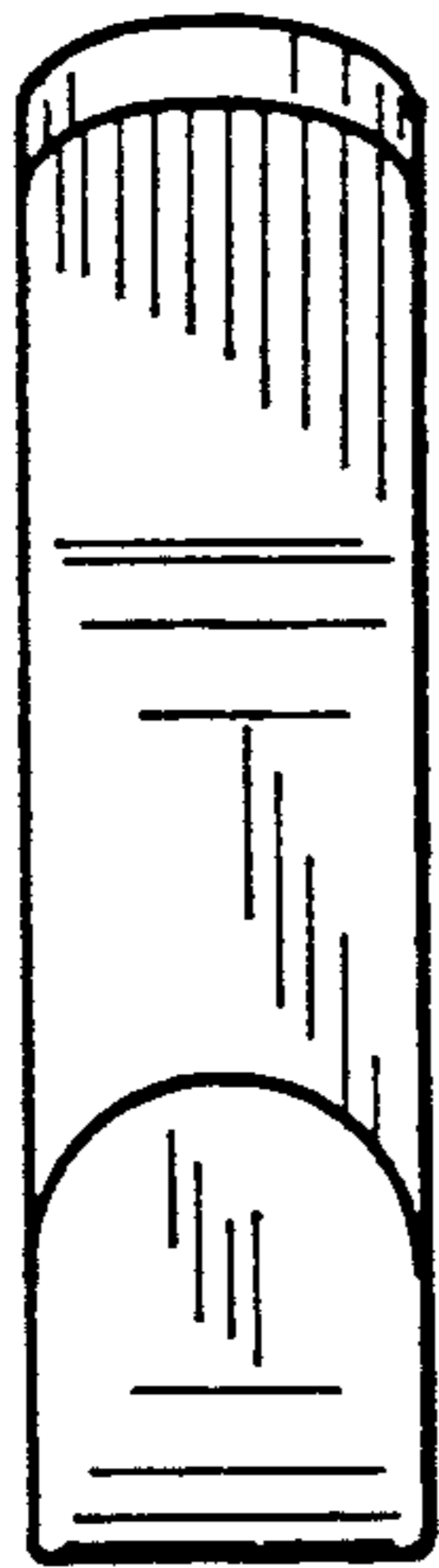
DESCRIPTION

FIG. 1 is a left side, top and front perspective view of a hook showing our new design;  
FIG. 2 is a front elevational view thereof;  
FIG. 3 is a right side elevational view thereof, the left side elevational view being a mirror image;  
FIG. 4 is a rear elevational view thereof;  
FIG. 5 is a bottom plan view thereof;  
FIG. 6 is a left side, top, and front perspective view of a second embodiment thereof;  
FIG. 7 is a front elevational view thereof;  
FIG. 8 is a right side elevational view thereof, the left side elevational view being a mirror image;  
FIG. 9 is a rear elevational view thereof; and  
FIG. 10 is a bottom plan view thereof.

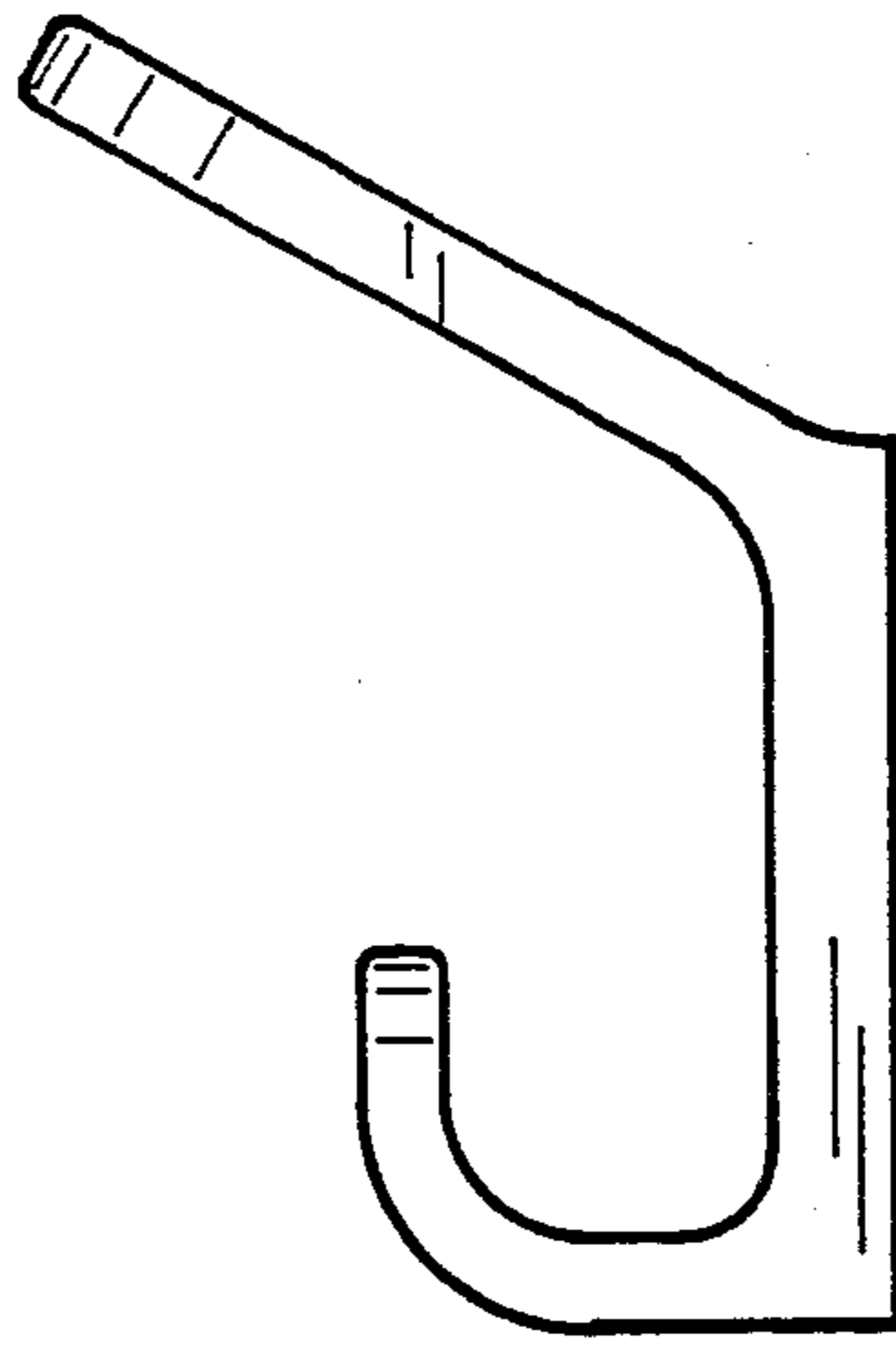




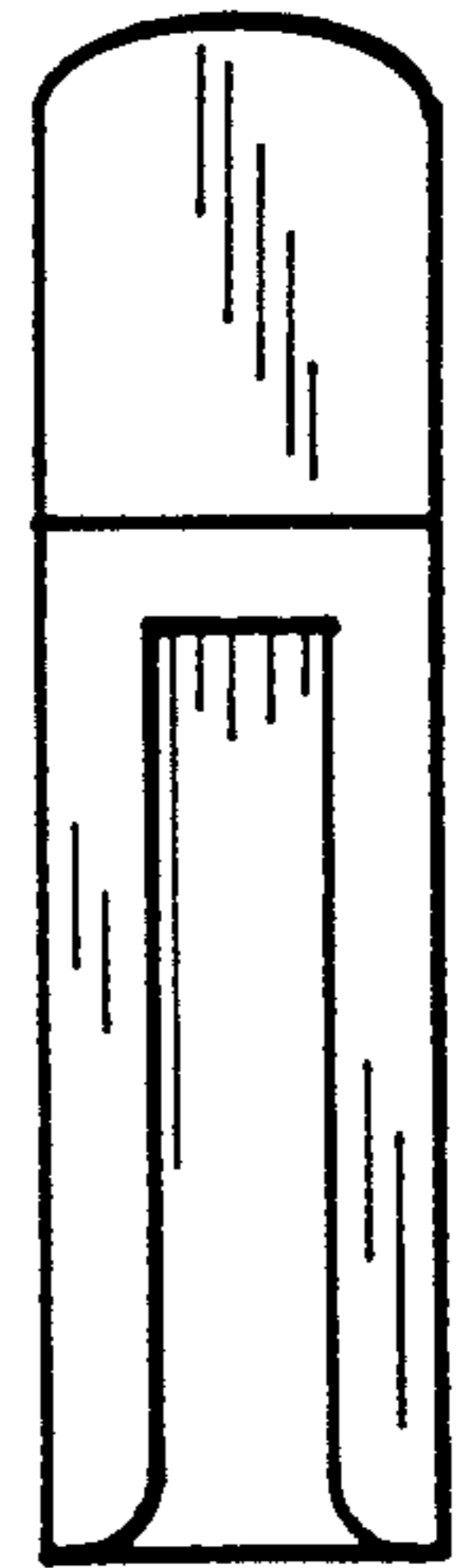
*Fig. 1*



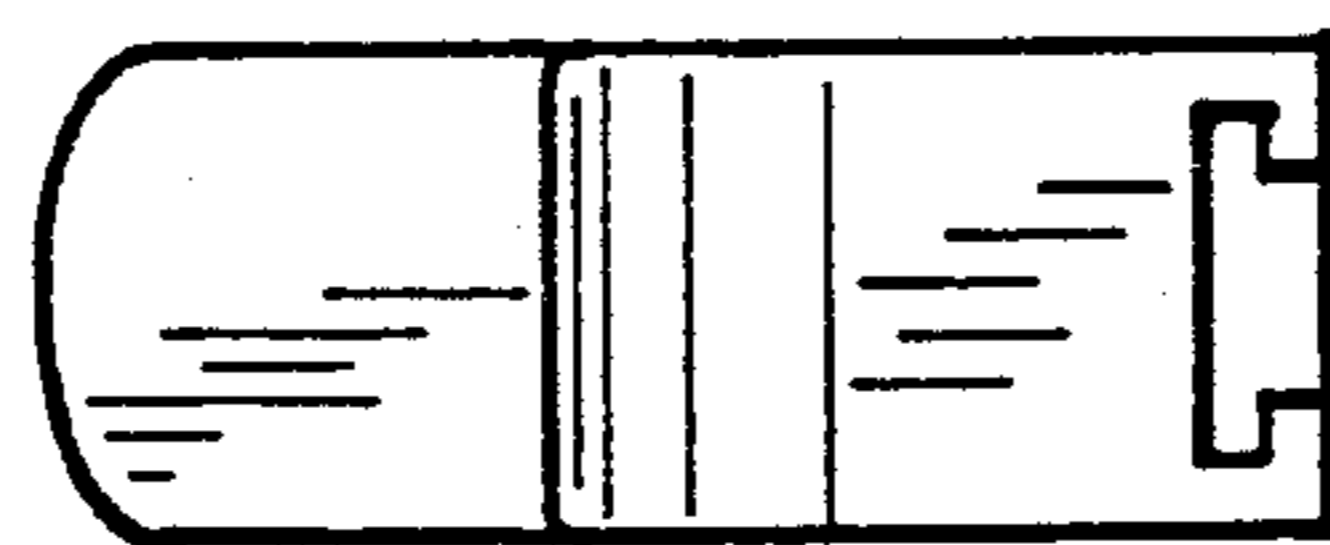
*Fig. 2*



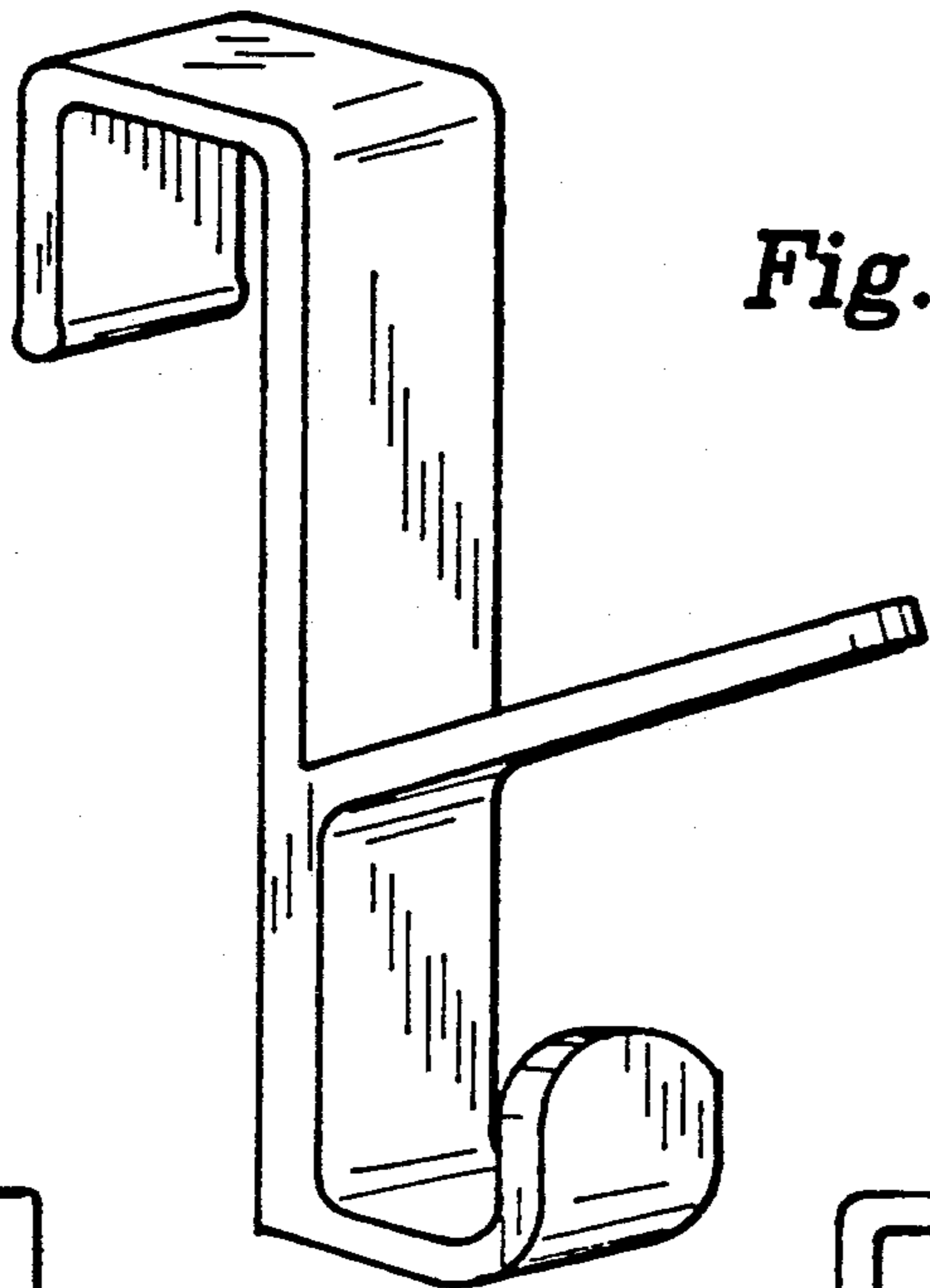
*Fig. 3*



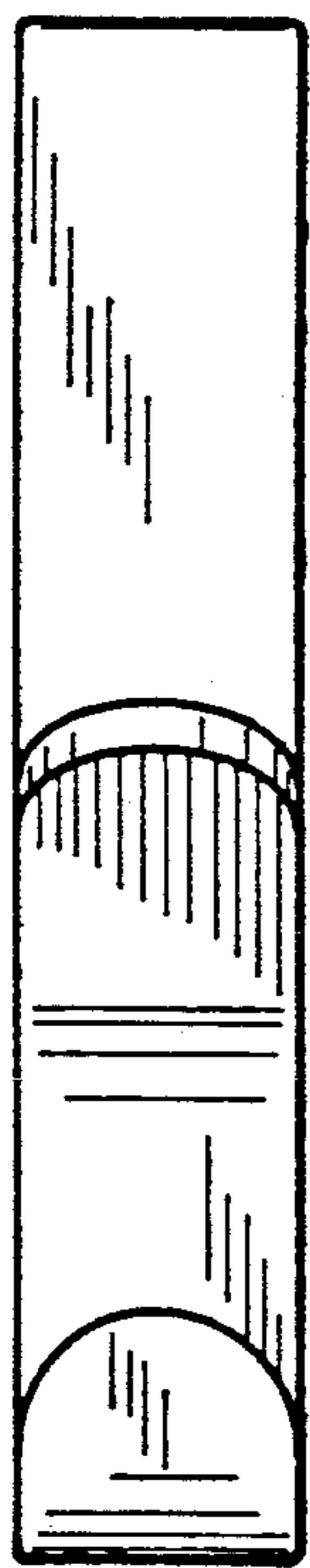
*Fig. 4*



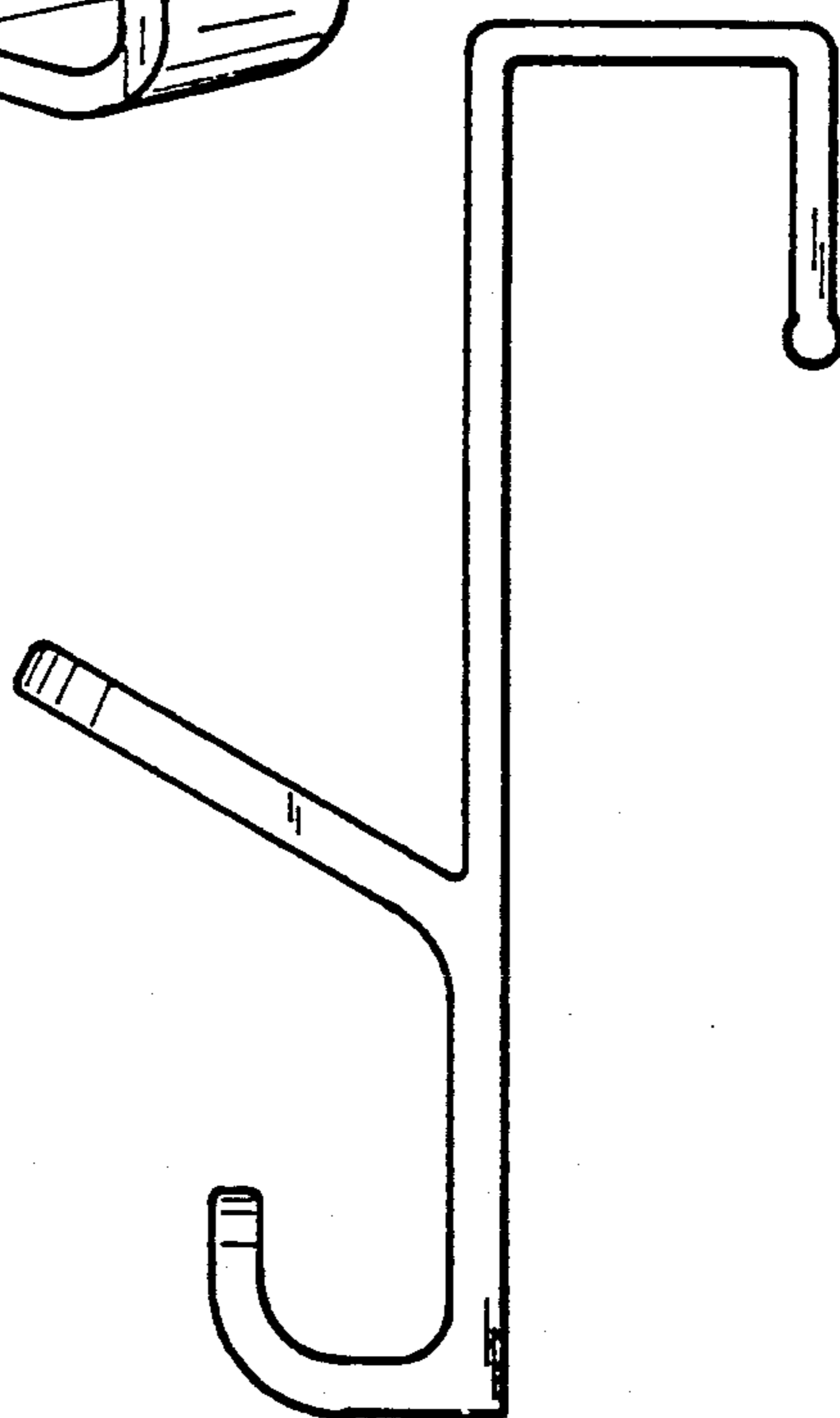
*Fig. 5*



*Fig. 6*



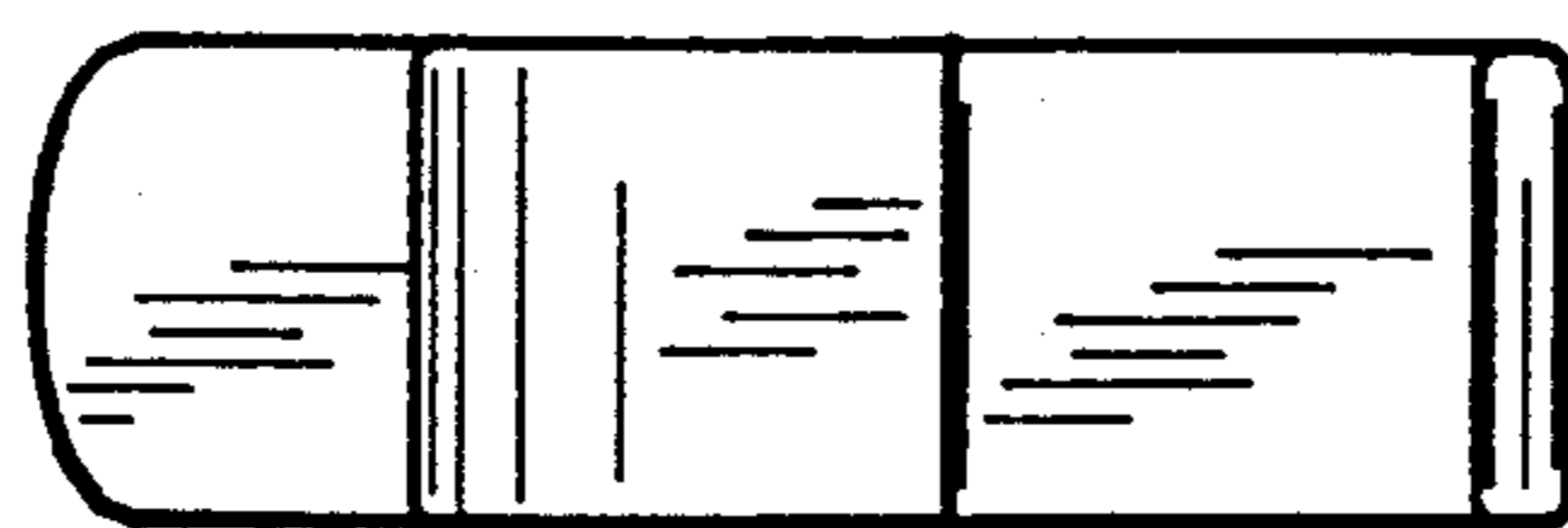
*Fig. 7*



*Fig. 8*



*Fig. 9*



*Fig. 10*