

[54] CASE

[75] Inventor: Berndt Diefenbach, Starnberg, Fed. Rep. of Germany

[73] Assignee: Carlton International PLC, Middlesex, United Kingdom

[\*\*] Term: 14 Years

[21] Appl. No.: 392,097

[22] Filed: Aug. 10, 1989

[30] Foreign Application Priority Data

Feb. 13, 1989 [GB] United Kingdom ..... 1507095

[52] U.S. Cl. .... D3/76; D3/72

[58] Field of Search ..... D3/76, 72, 73, 74; 190/115, 112, 100, 106, 104, 103, 102, 101, 18 A, 15.1, 125, 119, 105

[56] References Cited

U.S. PATENT DOCUMENTS

D. 121,436 7/1940 Gralnick ..... D3/76

D. 286,705 11/1986 Miles ..... D3/76 X

D. 299,589	1/1989	Uchiyama	.....	D3/76
D. 309,215	7/1990	Wei-Mu	.....	D3/76
D. 310,450	9/1990	Castelli et al.	.....	D3/76
3,805,929	4/1974	Kuwayama	.....	190/18 A
4,299,313	11/1981	Null	.....	190/18 A
4,544,050	10/1985	Seynhaeve	.....	190/18 A X
4,707,881	11/1987	Van Hoye	.....	190/18 A X

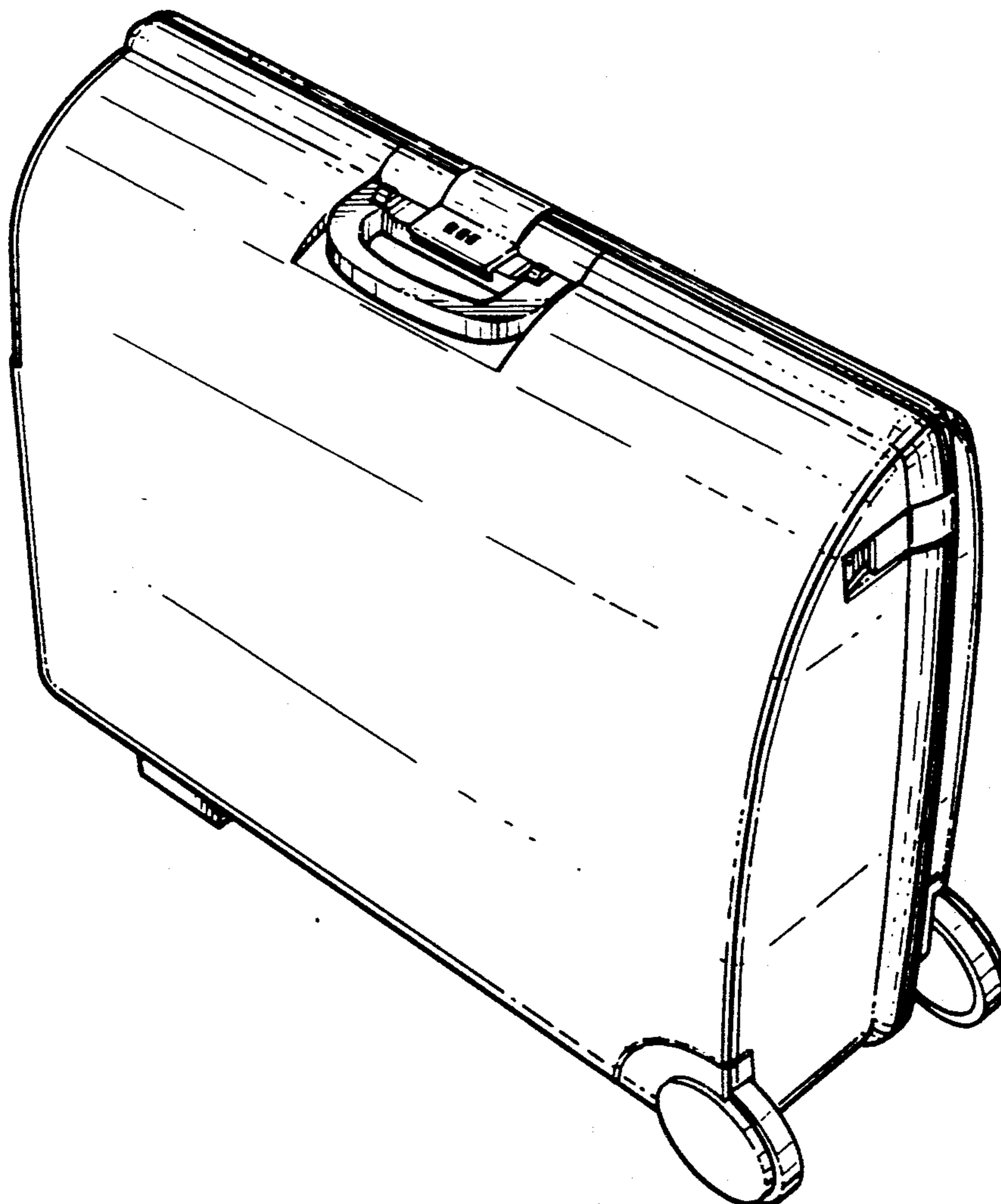
Primary Examiner—A. Hugo Word  
Assistant Examiner—M. N. Pandozzi  
Attorney, Agent, or Firm—Abelman Frayne & Schwab

[57] CLAIM

The ornamental design for a case, as shown.

DESCRIPTION

FIG. 1 is a left side elevational view of a case showing my new design;  
FIG. 2 is a right side elevational view thereof;  
FIG. 3 is a front elevational view thereof;  
FIG. 4 is a rear elevational view thereof;  
FIG. 5 is a top plan view thereof;  
FIG. 6 is a bottom plan view thereof;  
FIG. 7 is a top, rear, left perspective view thereof;  
FIG. 8 is a top, front, right perspective view thereof.



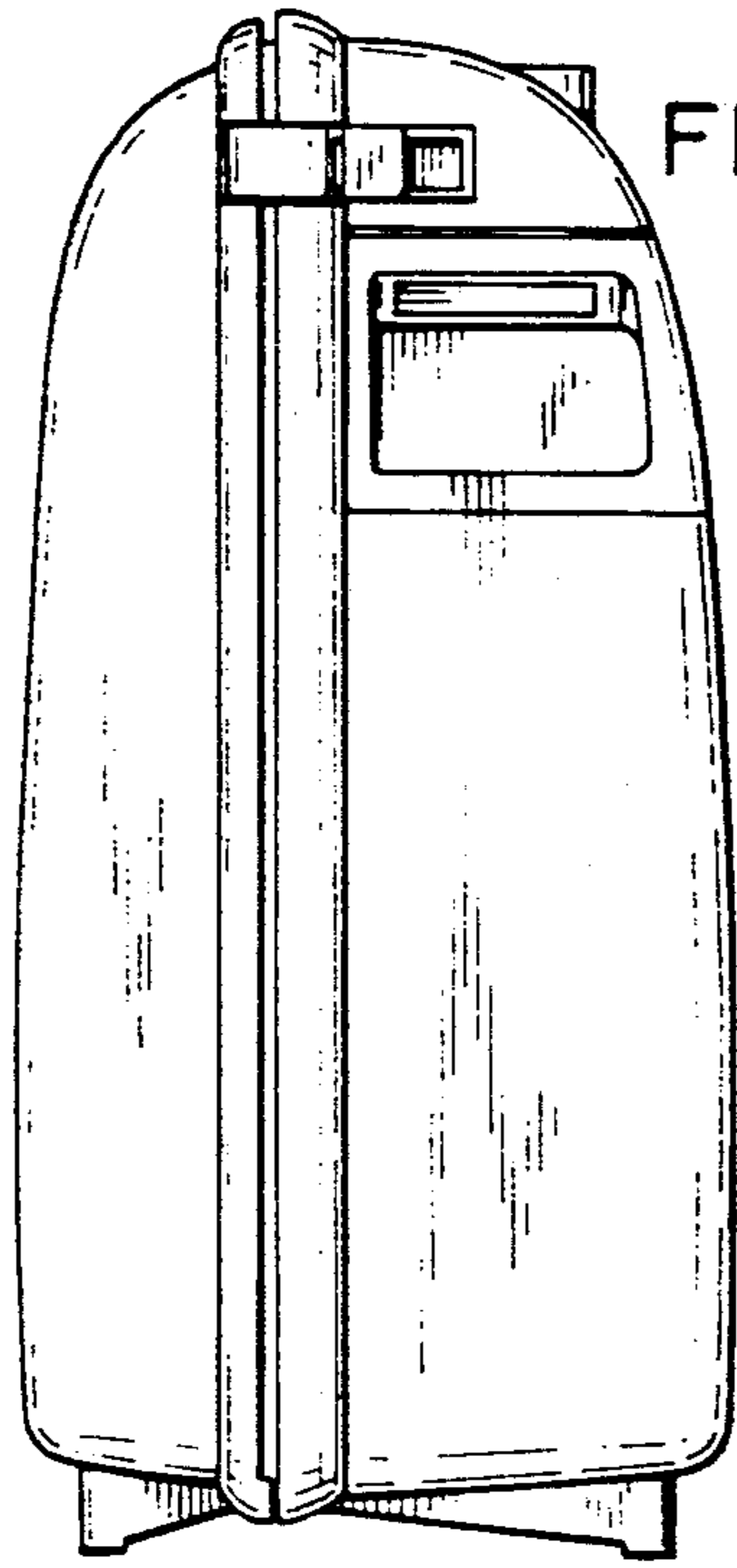


FIG. 1

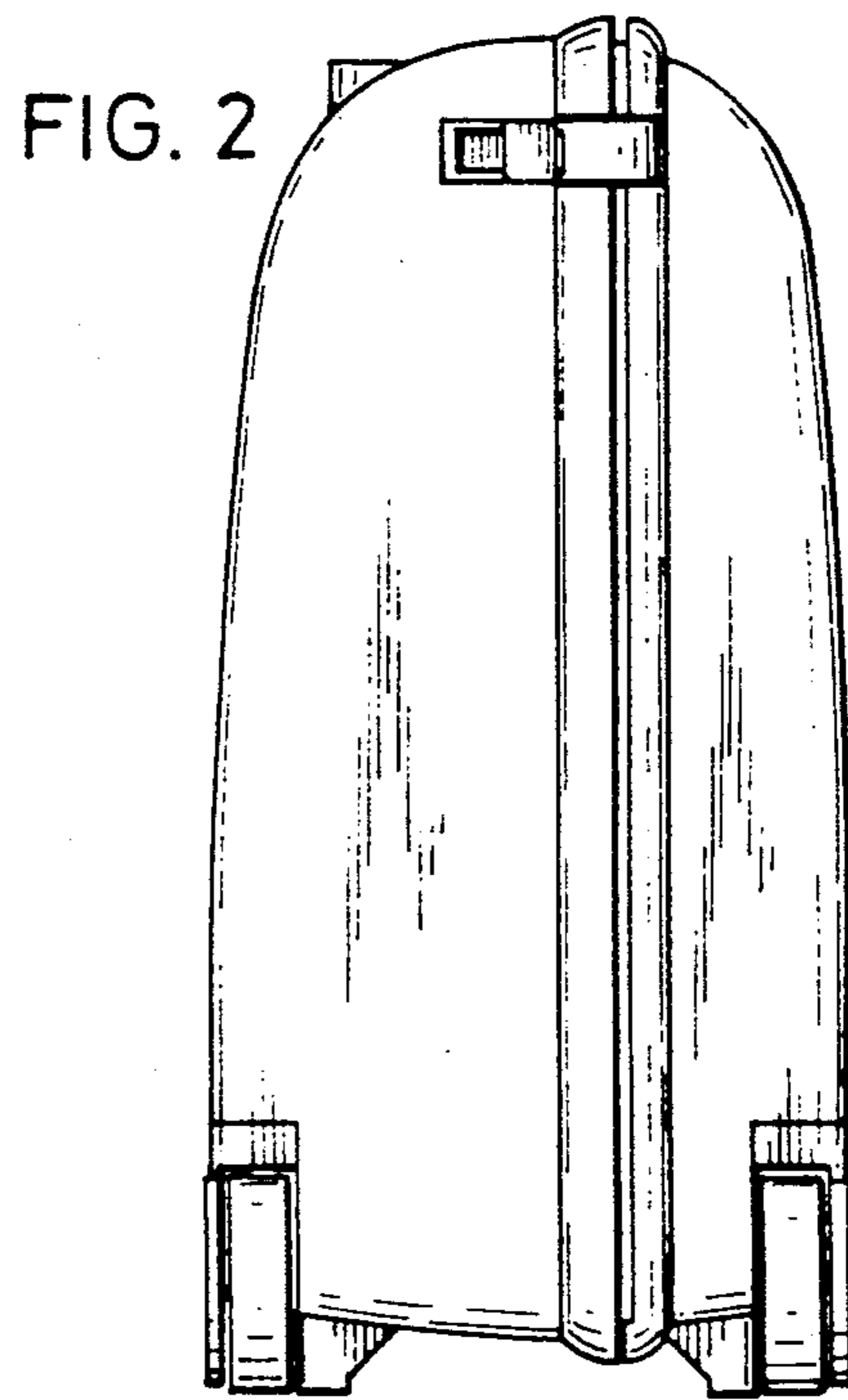


FIG. 2

FIG. 3

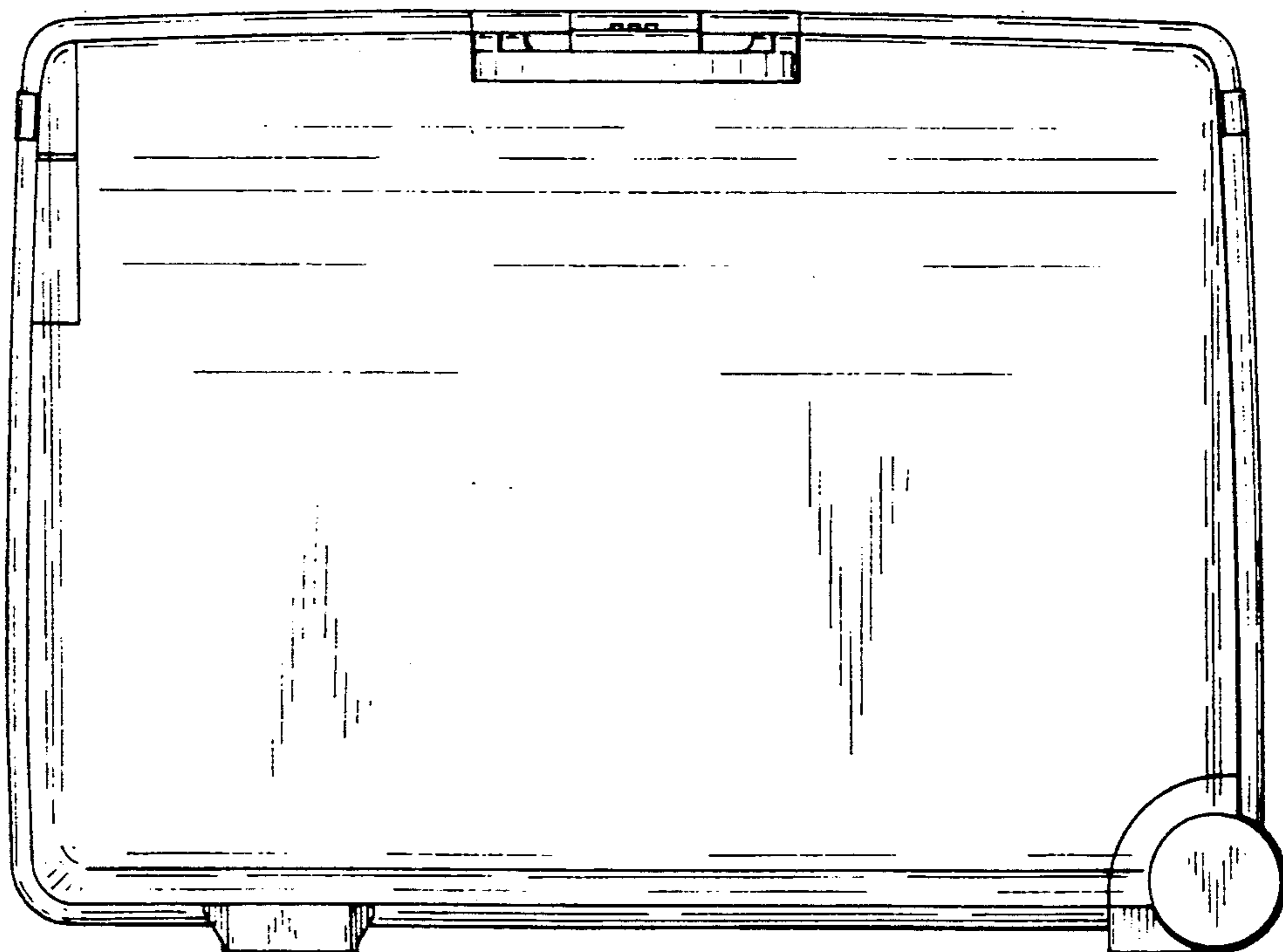


FIG. 4

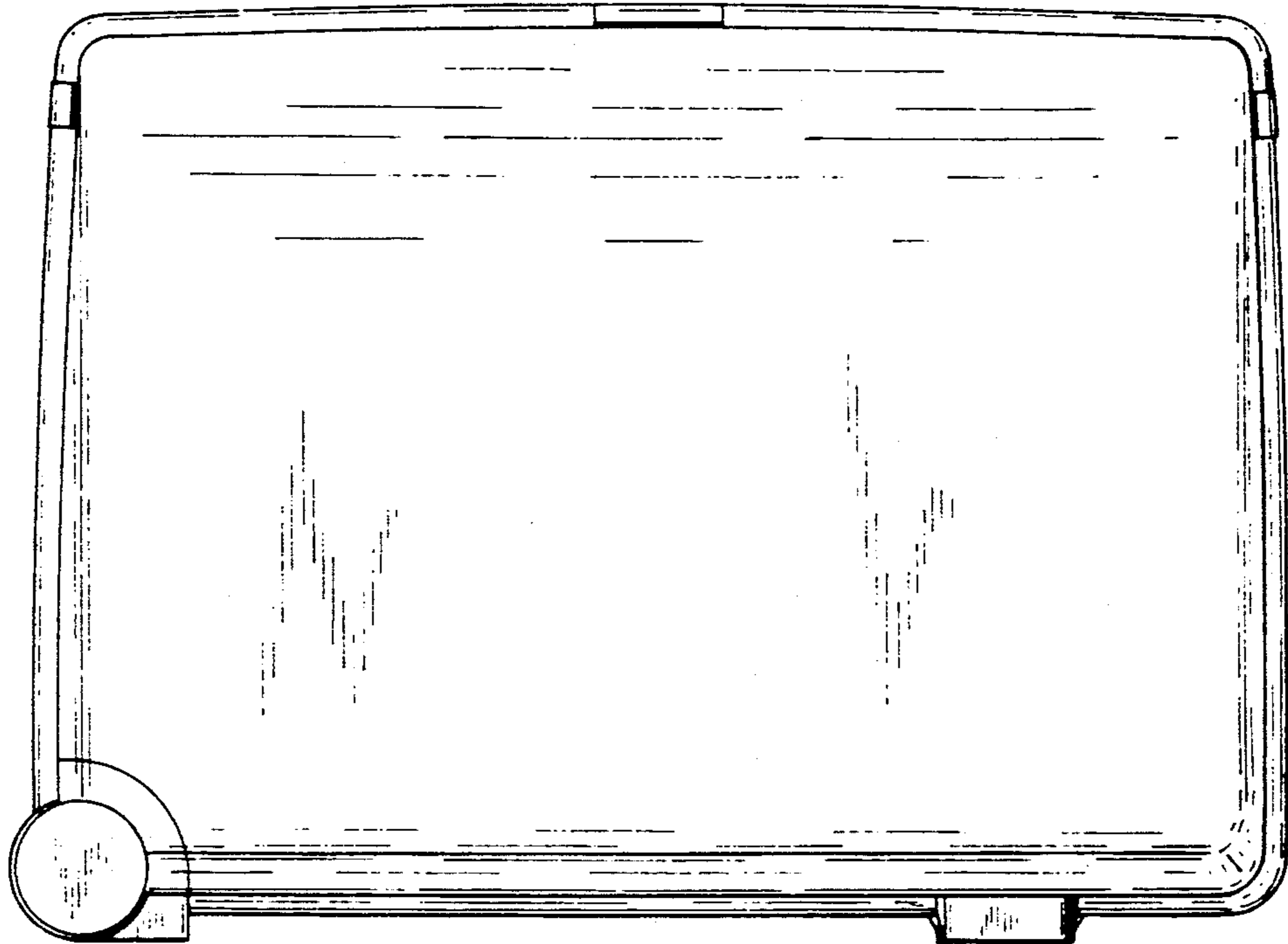


FIG. 5

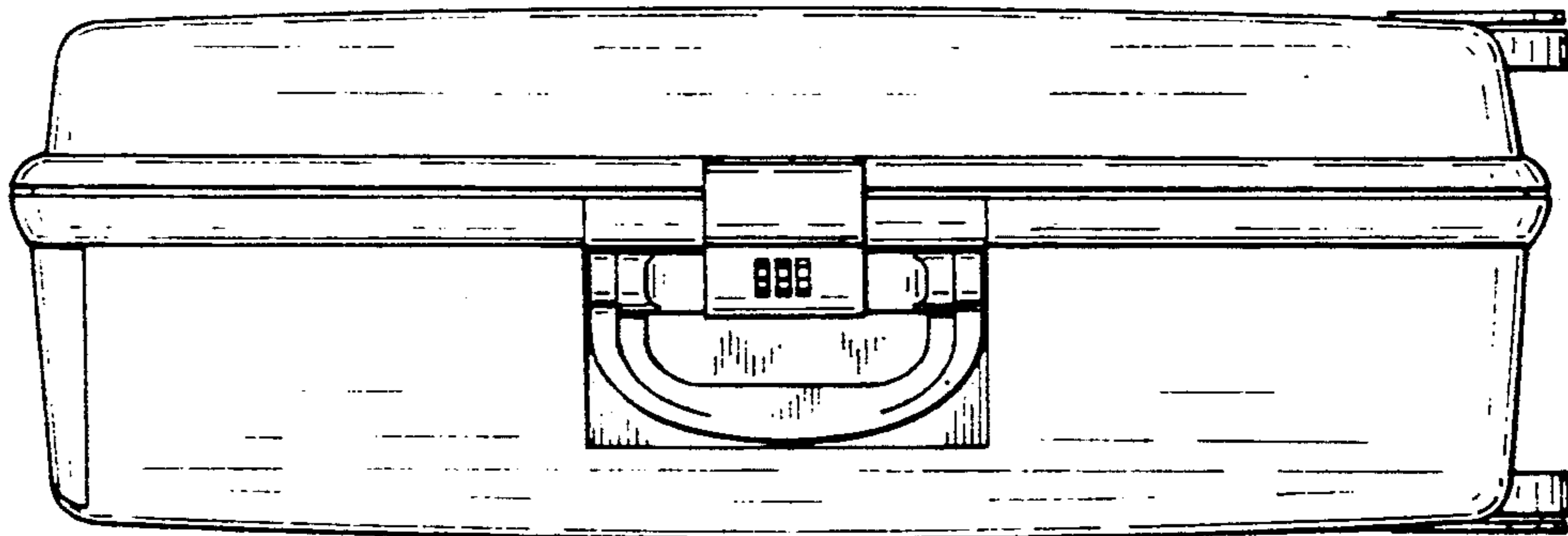
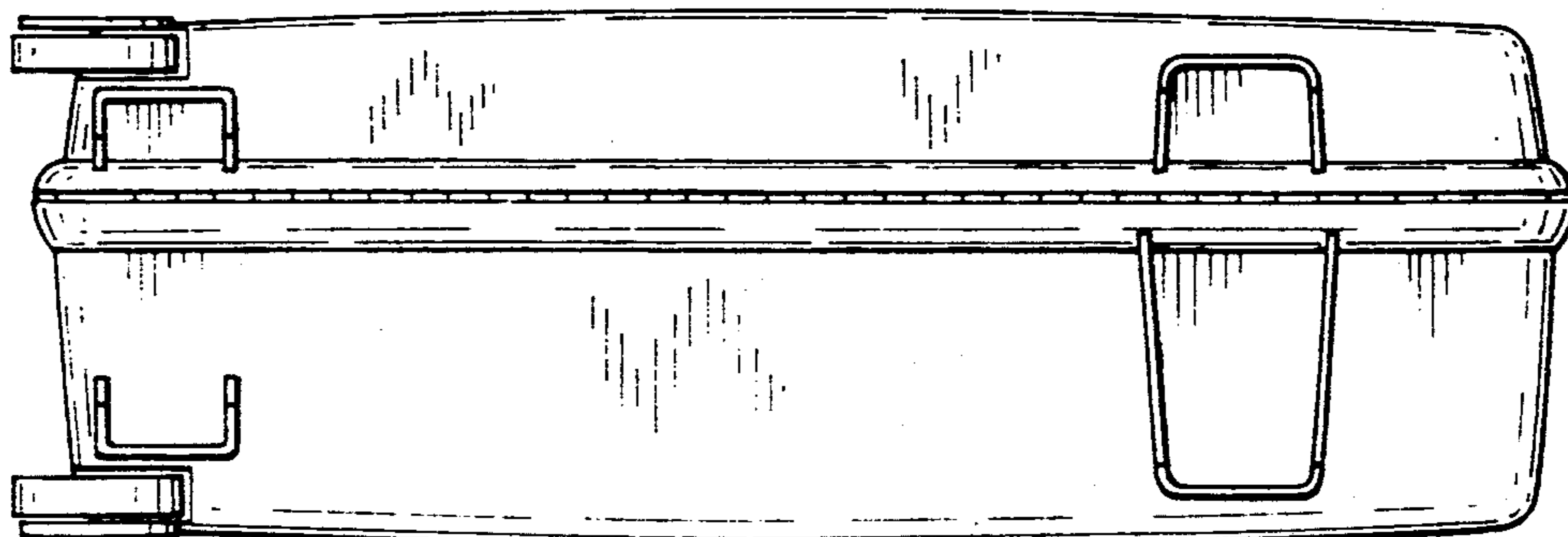


FIG. 6



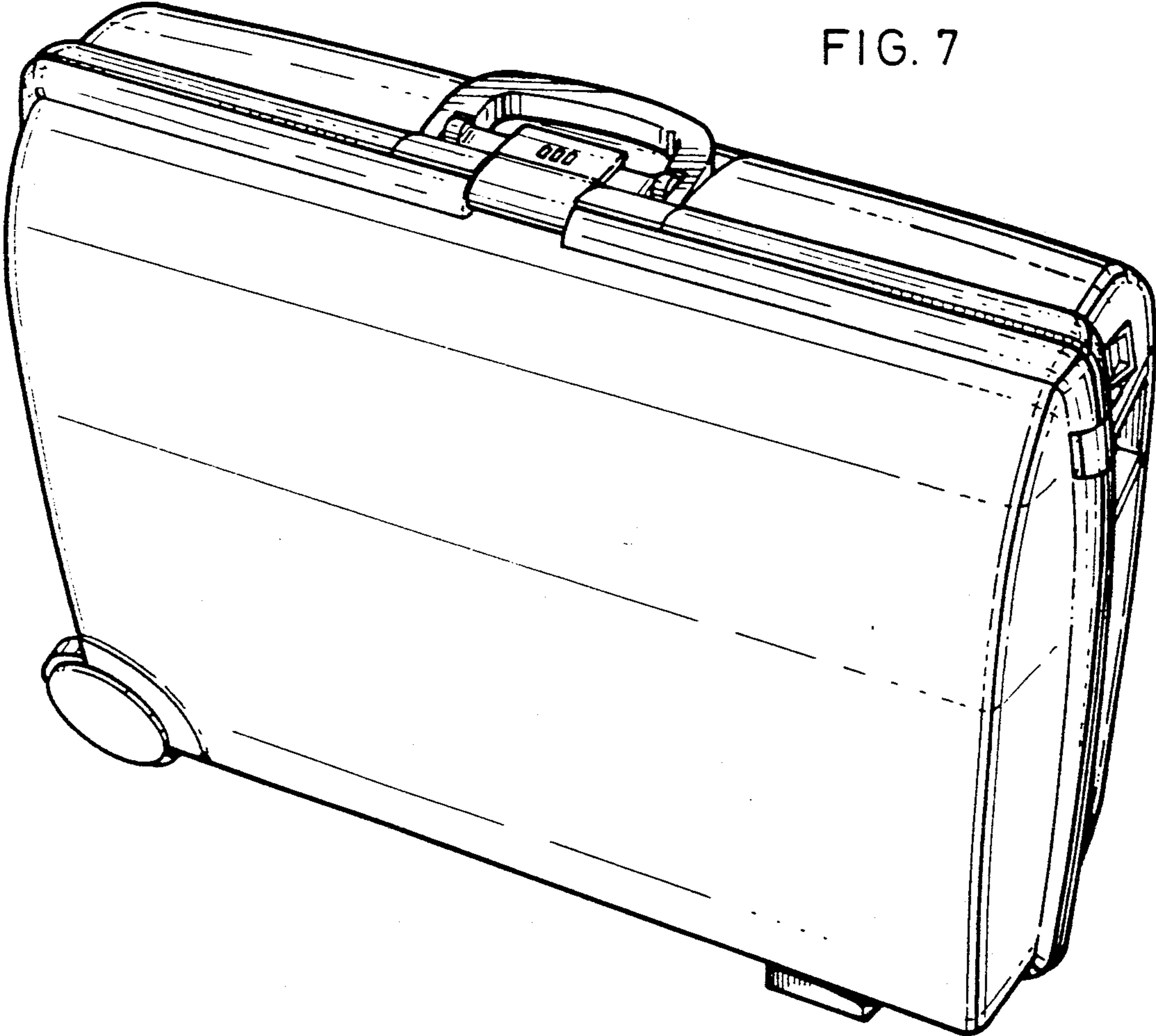


FIG. 7

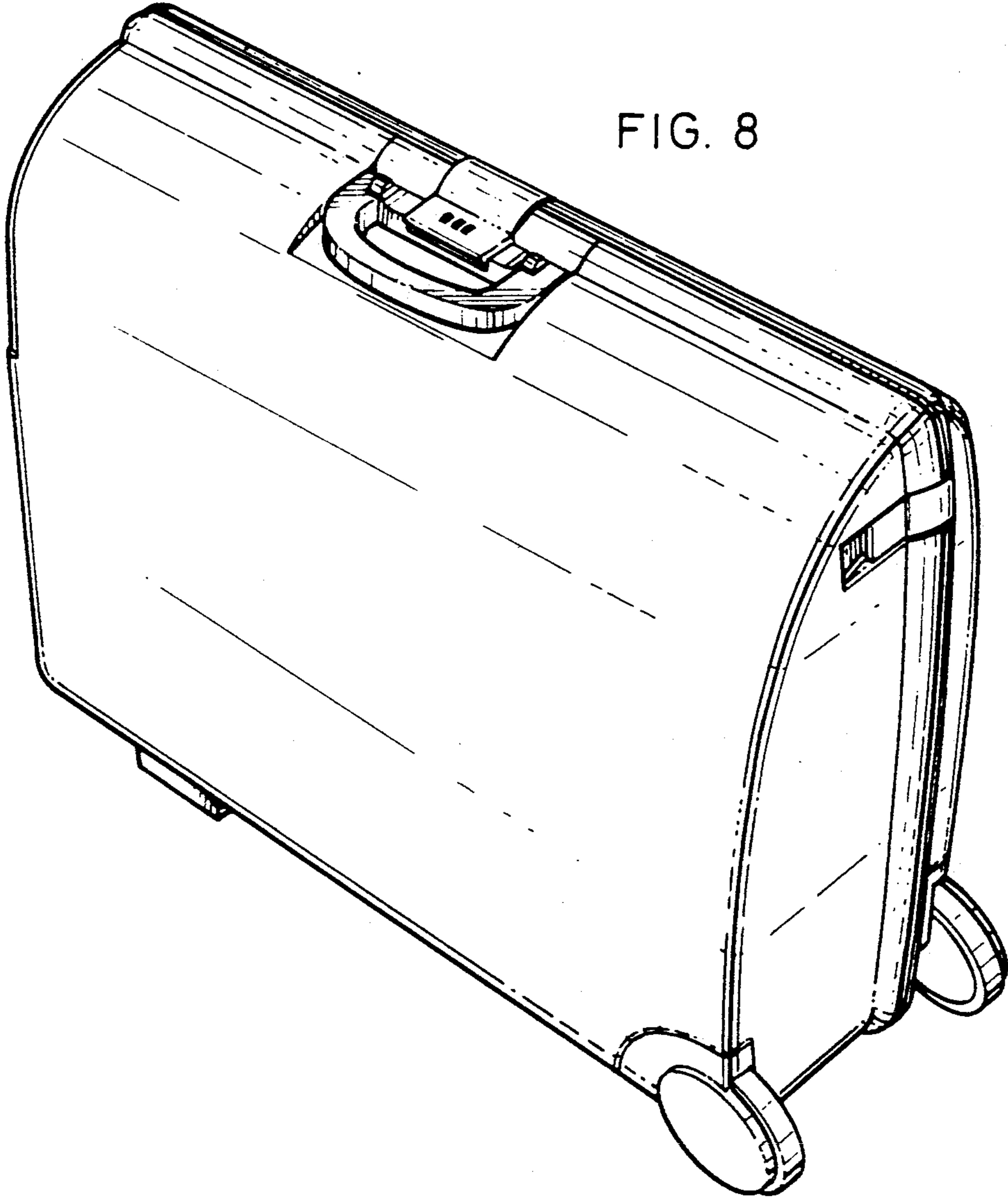


FIG. 8

·UNITED STATES PATENT AND TRADEMARK OFFICE  
**CERTIFICATE OF CORRECTION**

PATENT NO. : D-322,359  
DATED : DECEMBER 17, 1991  
INVENTOR(S) : BERNDT DIEFENBACH

It is certified that error appears in the above-identified patent and that said Letters Patent is hereby corrected as shown below:

Title page, item 30 to read: -- Foreign Application  
Priority Date February 13, 1989 United Kingdom 1057095 --.

Signed and Sealed this  
Twenty-fifth Day of May, 1993

Attest:



MICHAEL K. KIRK

Attesting Officer

Acting Commissioner of Patents and Trademarks