

[54] FISHERMAN'S STORAGE TRAY

[76] Inventors: Mark L. Harshaw, 7 Reflection Cove Ct., Hilton Head, S.C. 29926; Larry M. Kibler, 428 Deerwood Dr.; Phillip F. Keaton, 1511 Perez Dr., both of Orlando, Fla. 32825

[**] Term: 14 Years

[21] Appl. No.: 316,673

[22] Filed: Feb. 28, 1989

[52] U.S. Cl. D3/38; D3/40

[58] Field of Search D3/36, 38, 40, 100; 211/71, 74; 248/311.2; 224/275, 42.42; 206/315.11; D22/134, 136, 149; 43/54.1, 57.1, 55; D6/469

[56] References Cited

U.S. PATENT DOCUMENTS

D. 199,246 9/1964 Giordano D3/100
D. 201,759 7/1965 Davis D6/469 X

D. 224,280 7/1972 Price D3/40
D. 264,525 5/1982 Page, Jr. D3/40
4,271,624 6/1981 Peluso 43/54.1
4,754,883 7/1988 Grzywa 211/71

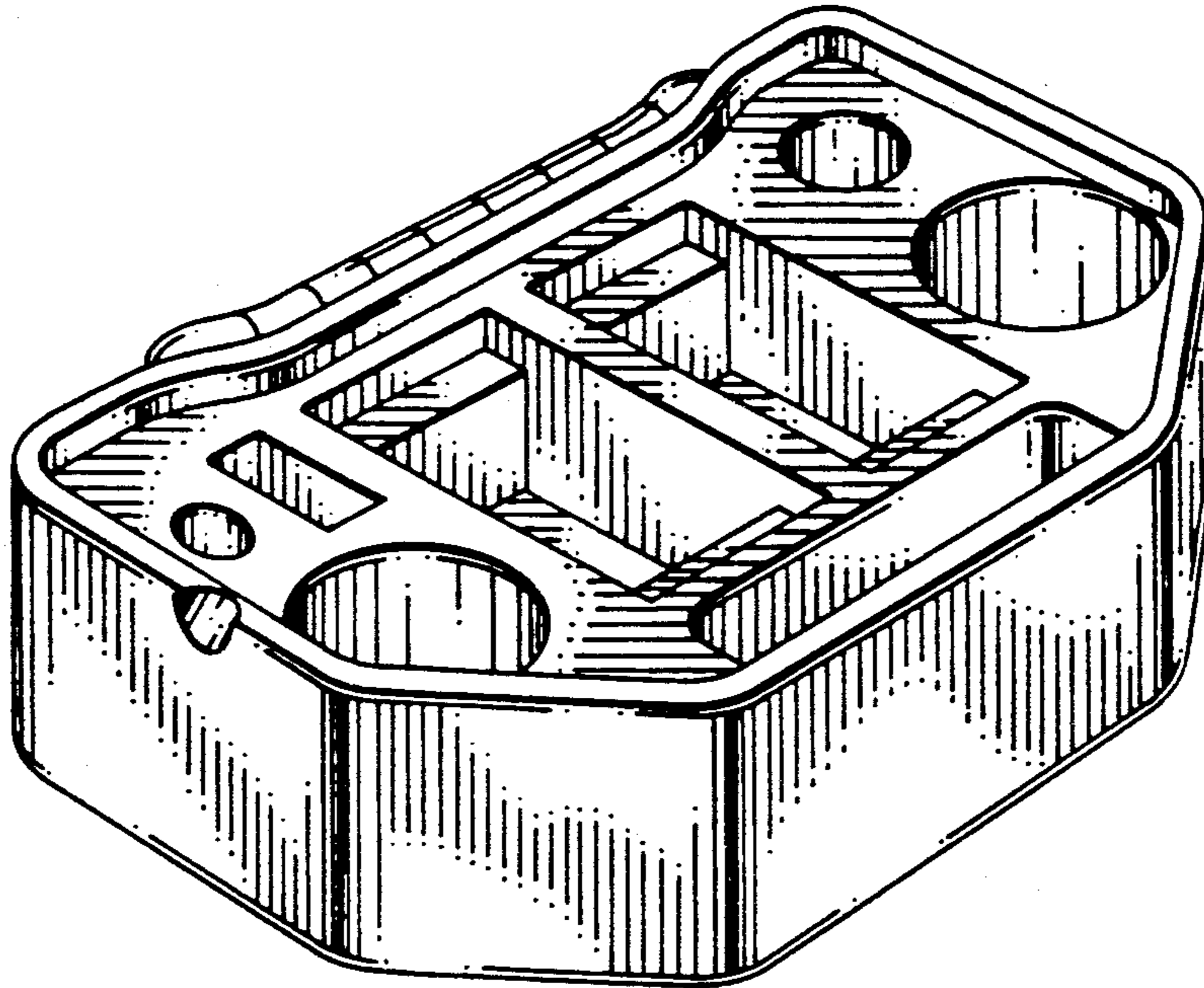
Primary Examiner—A. Hugo Word
Assistant Examiner—Doris V. Coles
Attorney, Agent, or Firm—Duckworth, Allen, Dyer & Doppelt

[57] CLAIM

The ornamental design for a fisherman's storage tray, as shown and described.

DESCRIPTION

FIG. 1 is a perspective view of a fisherman's storage tray, showing our new design;
FIG. 2 is a top plan view thereof;
FIG. 3 is a bottom plan view thereof;
FIG. 4 is a right side elevational view, the left side being a mirror image thereof;
FIG. 5 is a front elevational view thereof; and
FIG. 6 is a rear elevational view thereof.



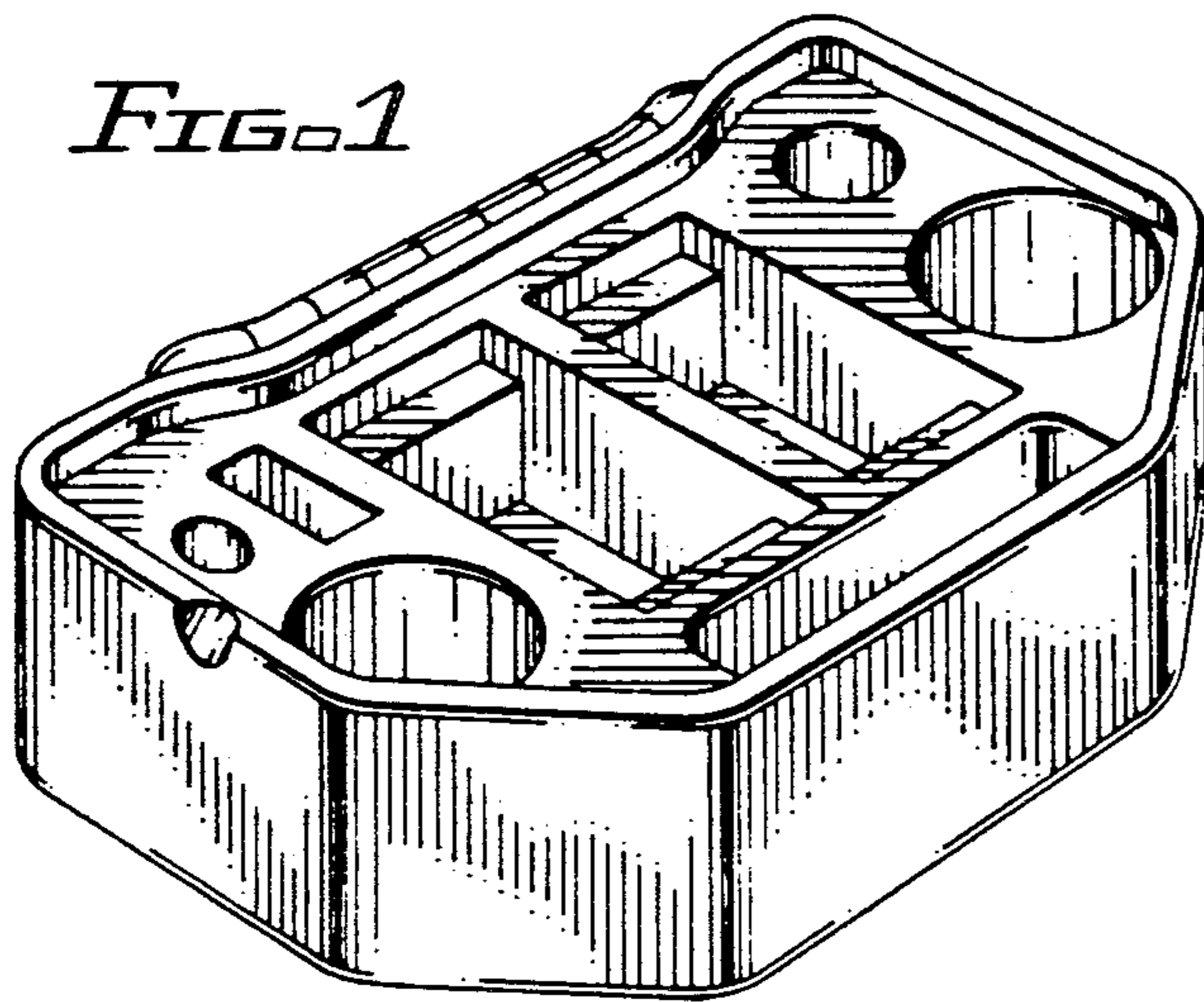


FIG. 1

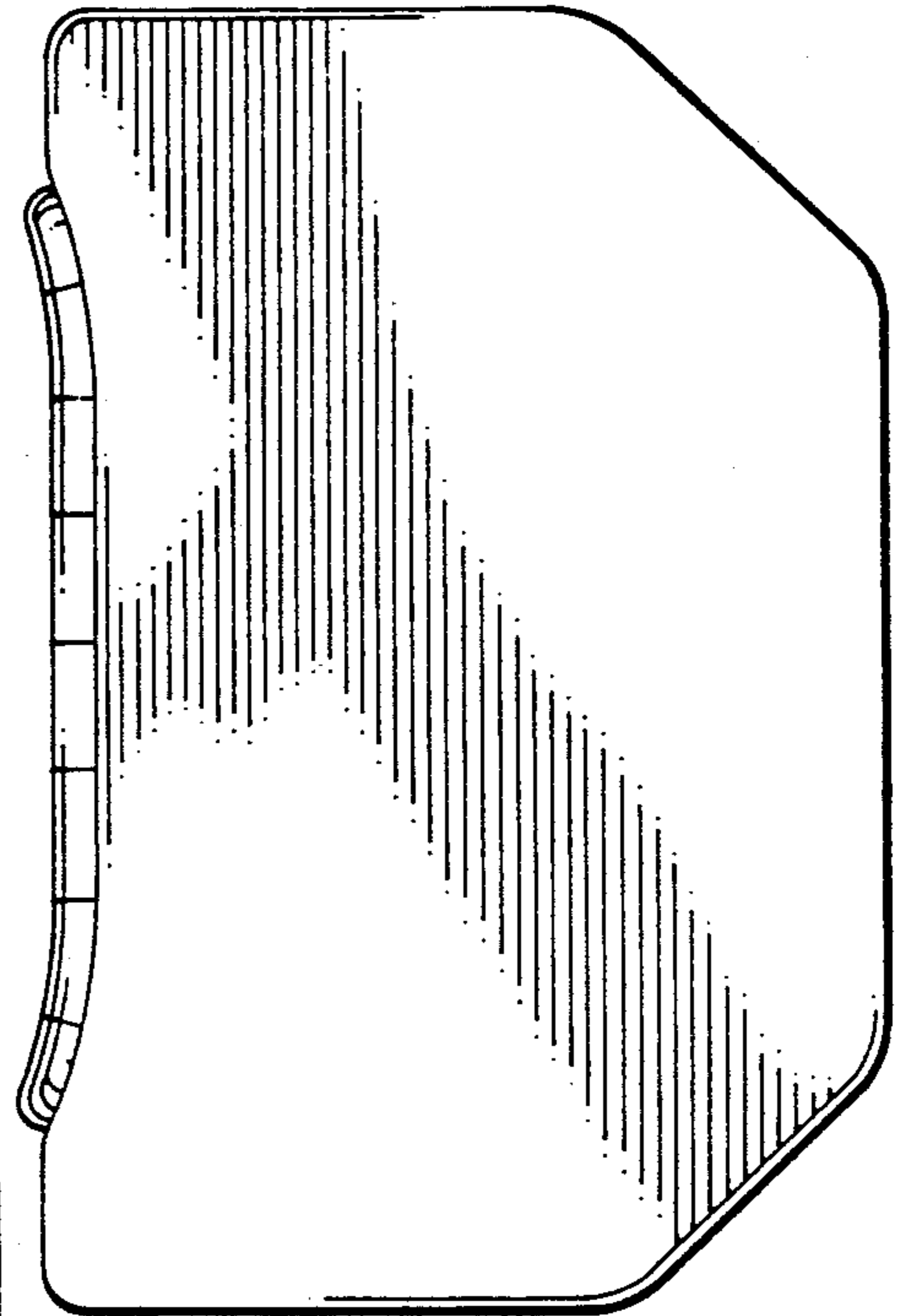


FIG. 3

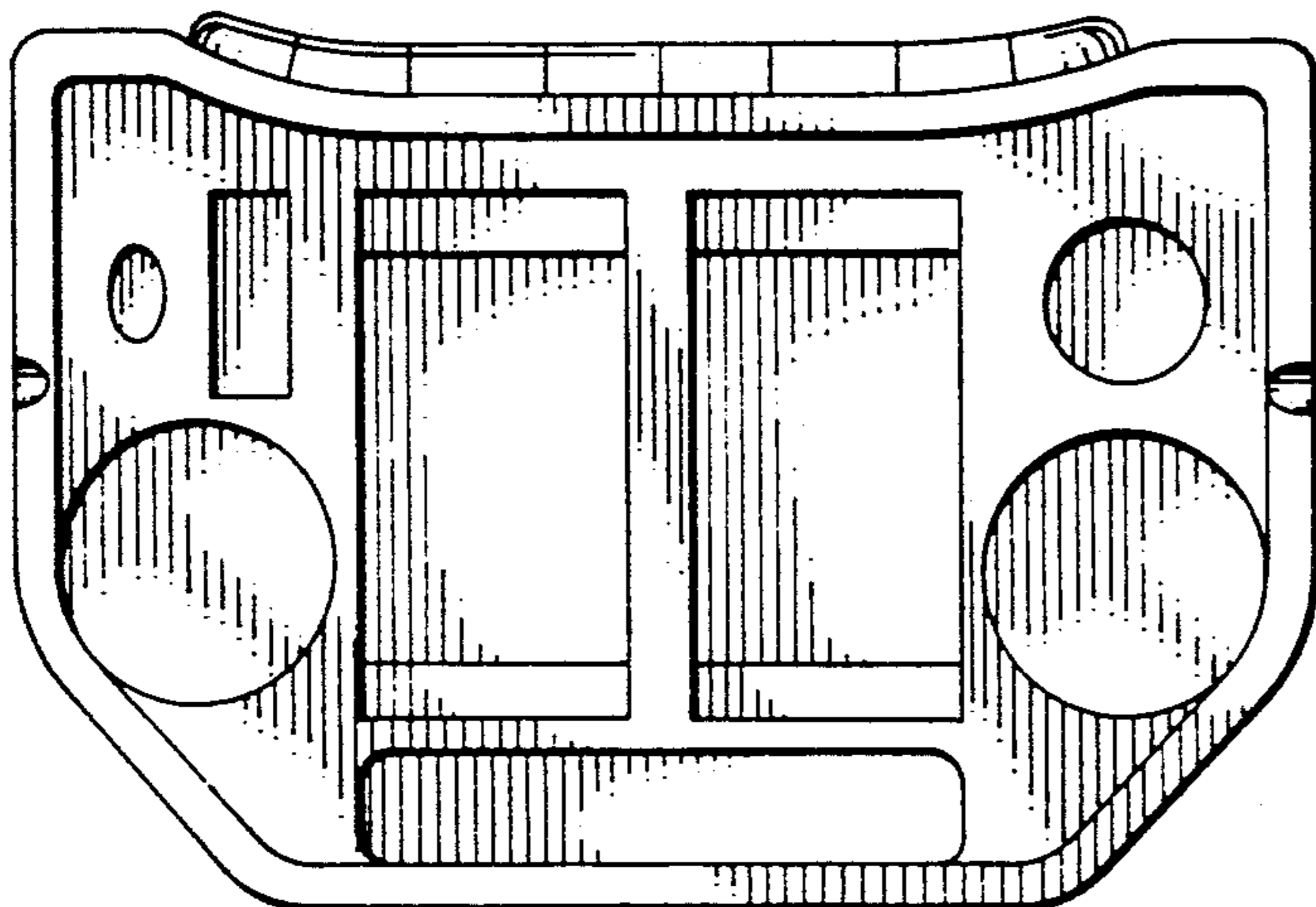


FIG. 2

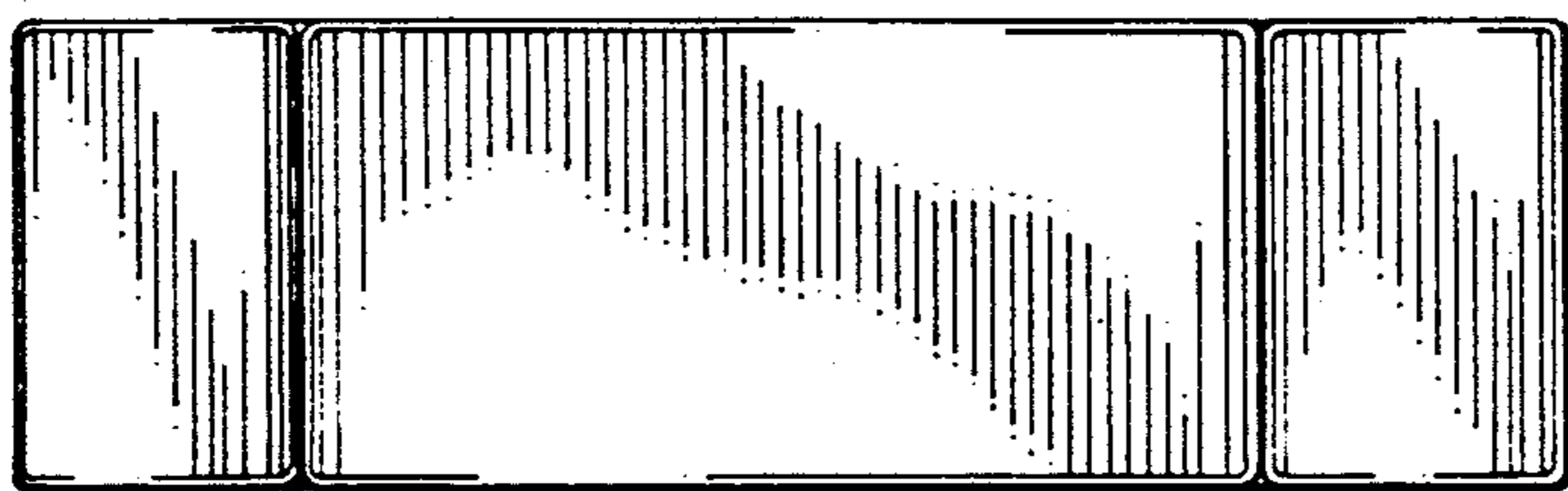


FIG. 5

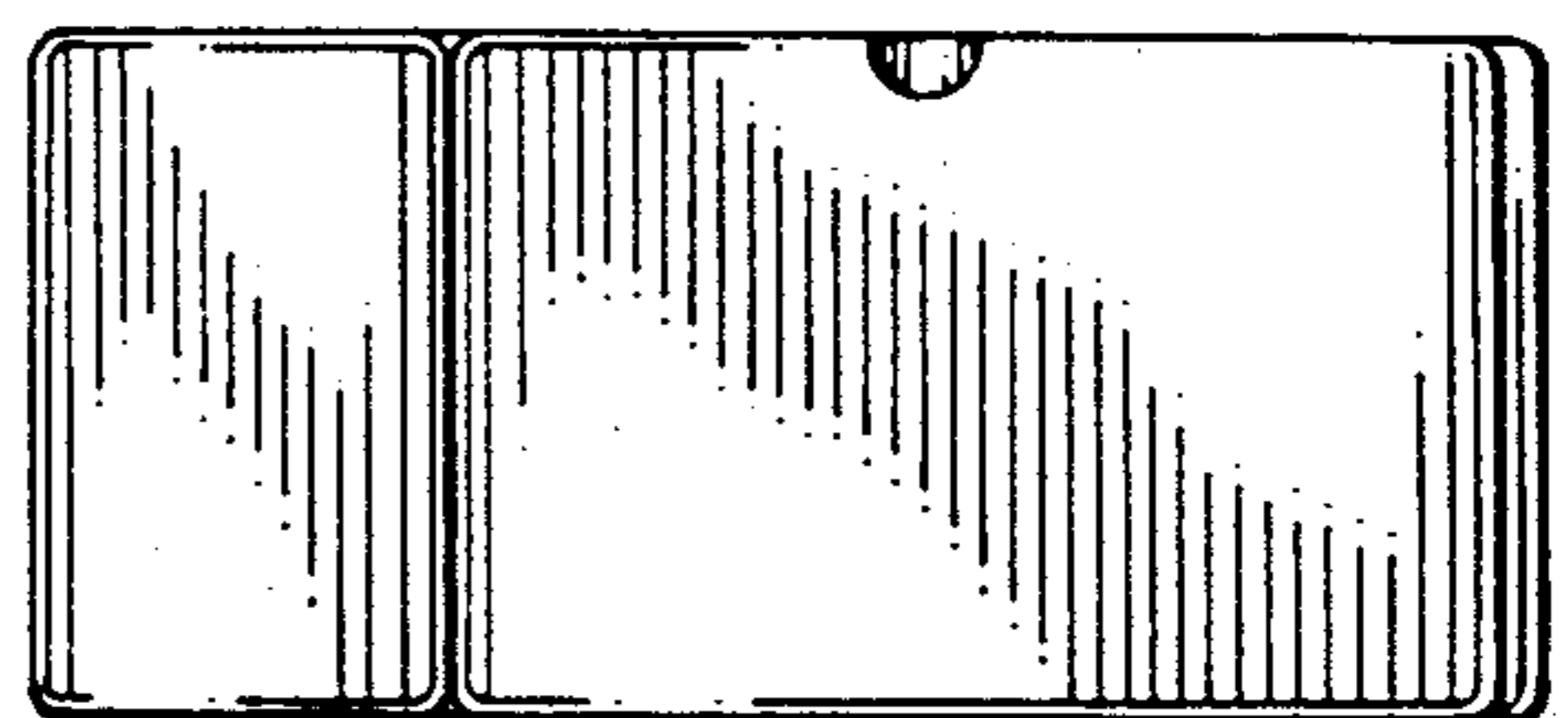


FIG. 4

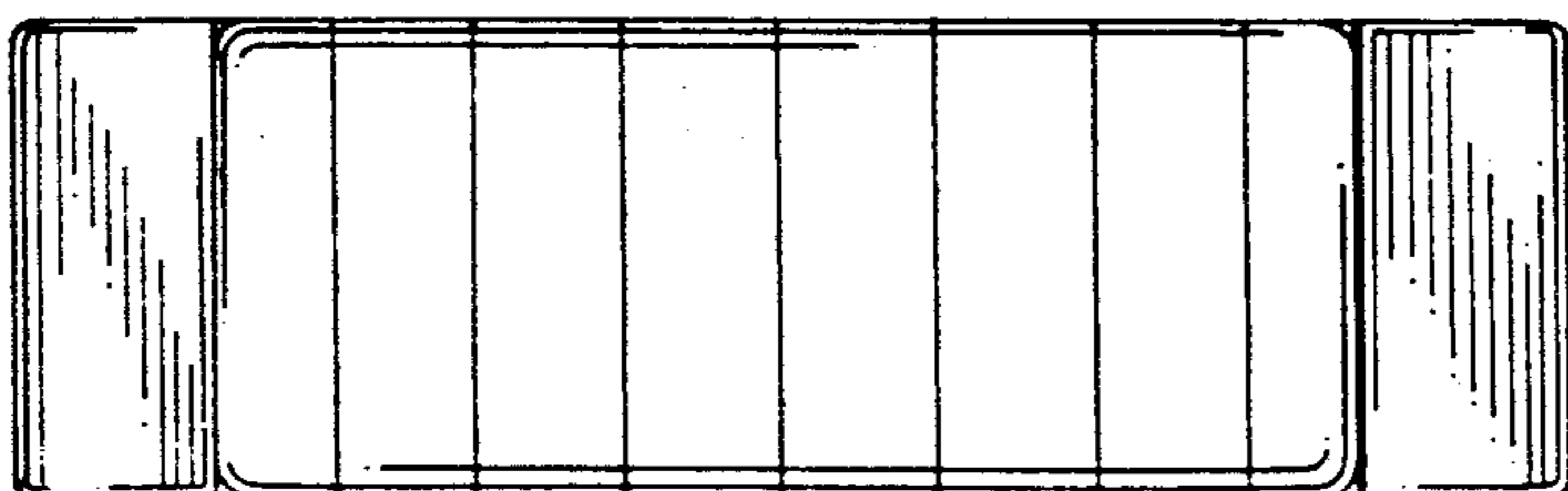


FIG. 6