

[54] CART FRAME

4,781,397 11/1988 Burn 280/655

[76] Inventor: Charles W. Hanson, 429 Kelly Dr., Wesley Chapel, Fla. 33544

Primary Examiner—Kay H. Chin
Attorney, Agent, or Firm—Dominik, Stein, Saccocio, Reese, Colitz & Van Der Wall

[**] Term: 14 Years

[21] Appl. No.: 566,235

[57] CLAIM

[22] Filed: Aug. 13, 1990

The ornamental design for a cart frame, as shown and described.

[52] U.S. Cl. D34/24; D34/12; D34/26

DESCRIPTION

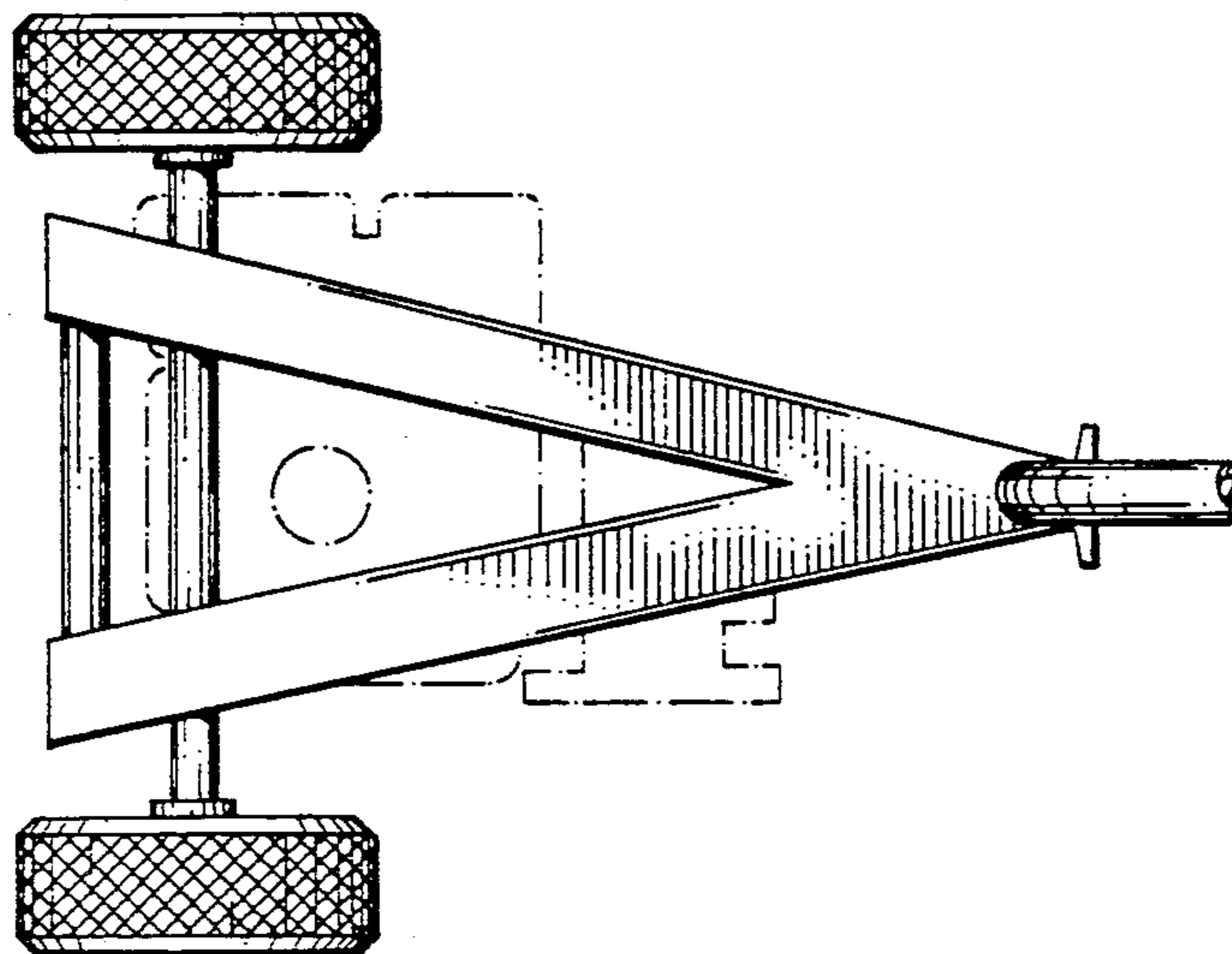
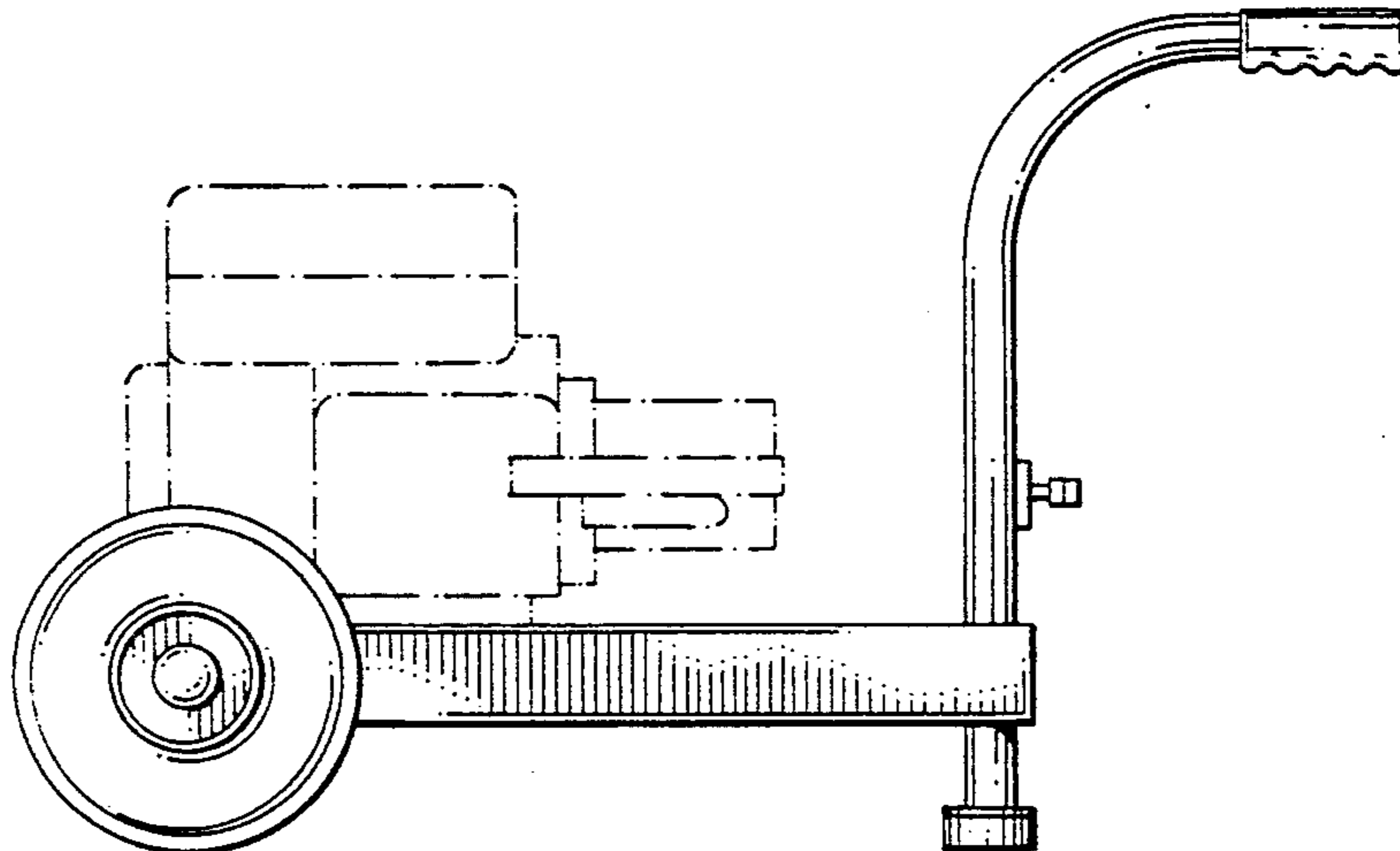
[58] Field of Search D34/24, 25, 26, 12, D34/17, 18, 19; 280/47.26, 47.24, 652, 653, 655, 656, 79.11

FIG. 1 is a left side elevational view of a cart frame showing my new design;
FIG. 2 is a top plan view thereof;
FIG. 3 is a front elevational view thereof;
FIG. 4 is a bottom plan view thereof;
FIG. 5 is a rear elevational view thereof; and
FIG. 6 is a right side elevational view thereof.
The broken lines shown in FIGS. 1 through 6 are for illustrative purposes only and form no part of the claimed design.

[56] References Cited

U.S. PATENT DOCUMENTS

D. 297,379	8/1988	Morrisette	D34/24
D. 311,079	10/1990	Blake	D34/15
D. 312,162	11/1990	Bolden	D34/26
4,413,834	11/1983	Base	280/47.26



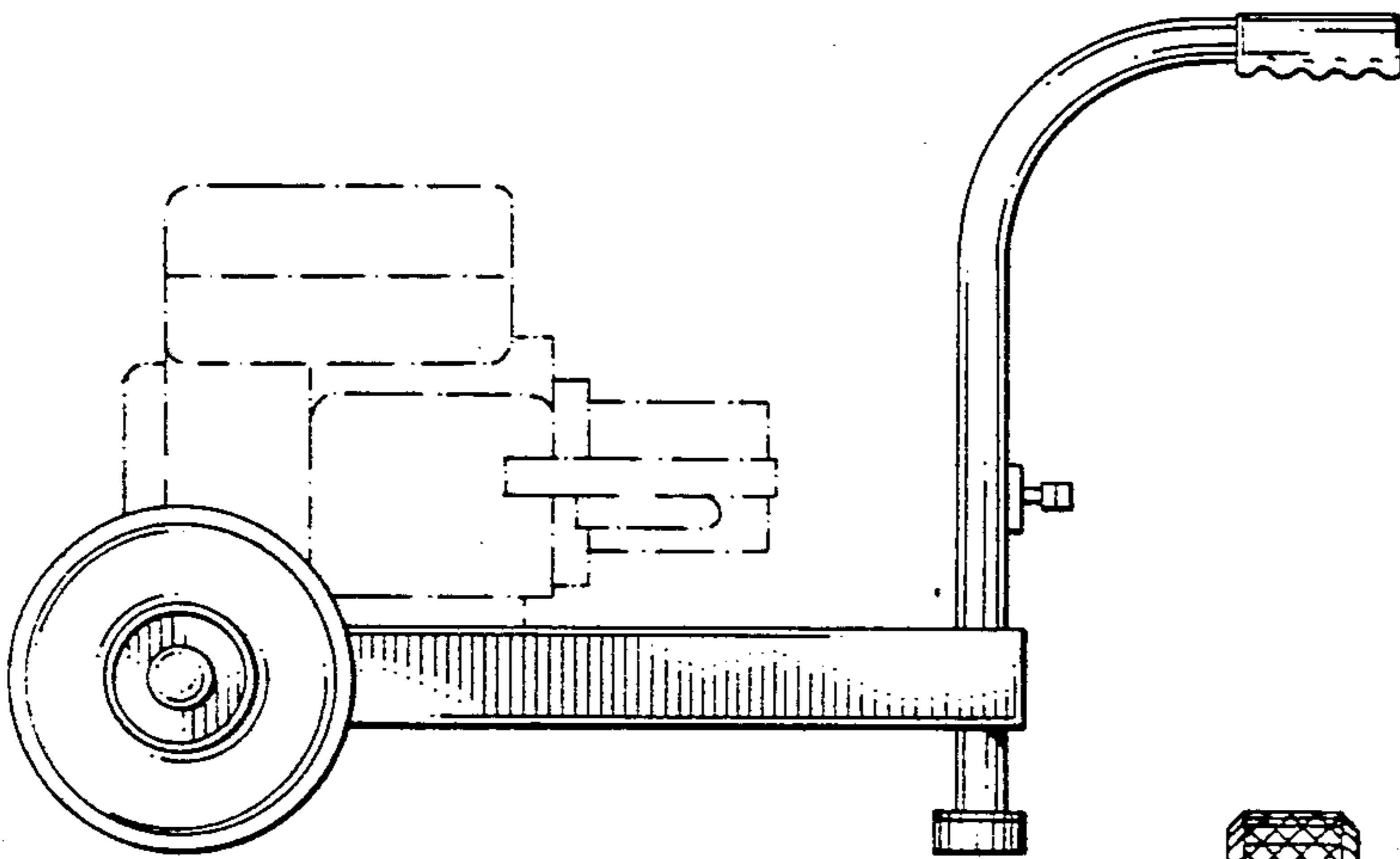


FIG. 1

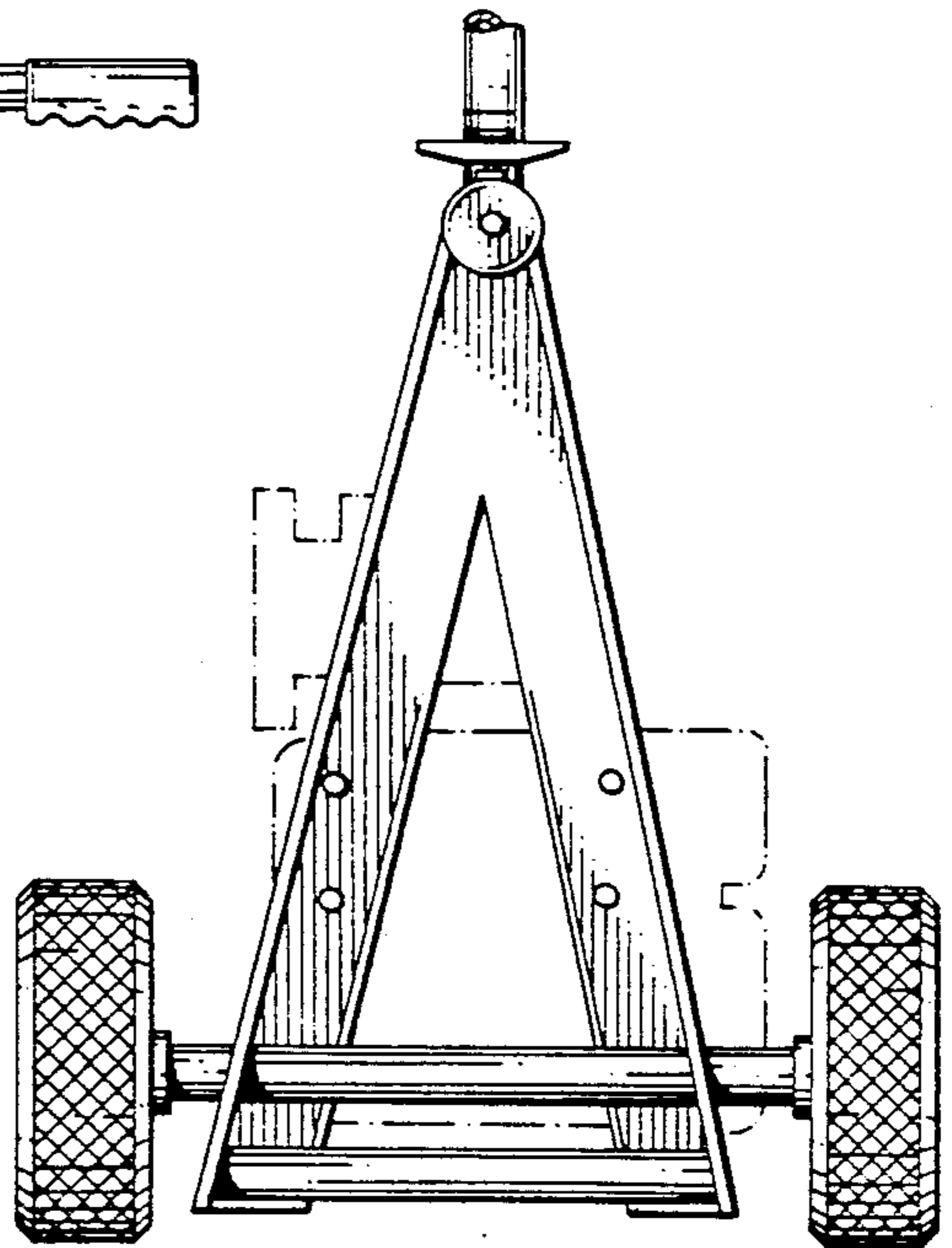


FIG. 4

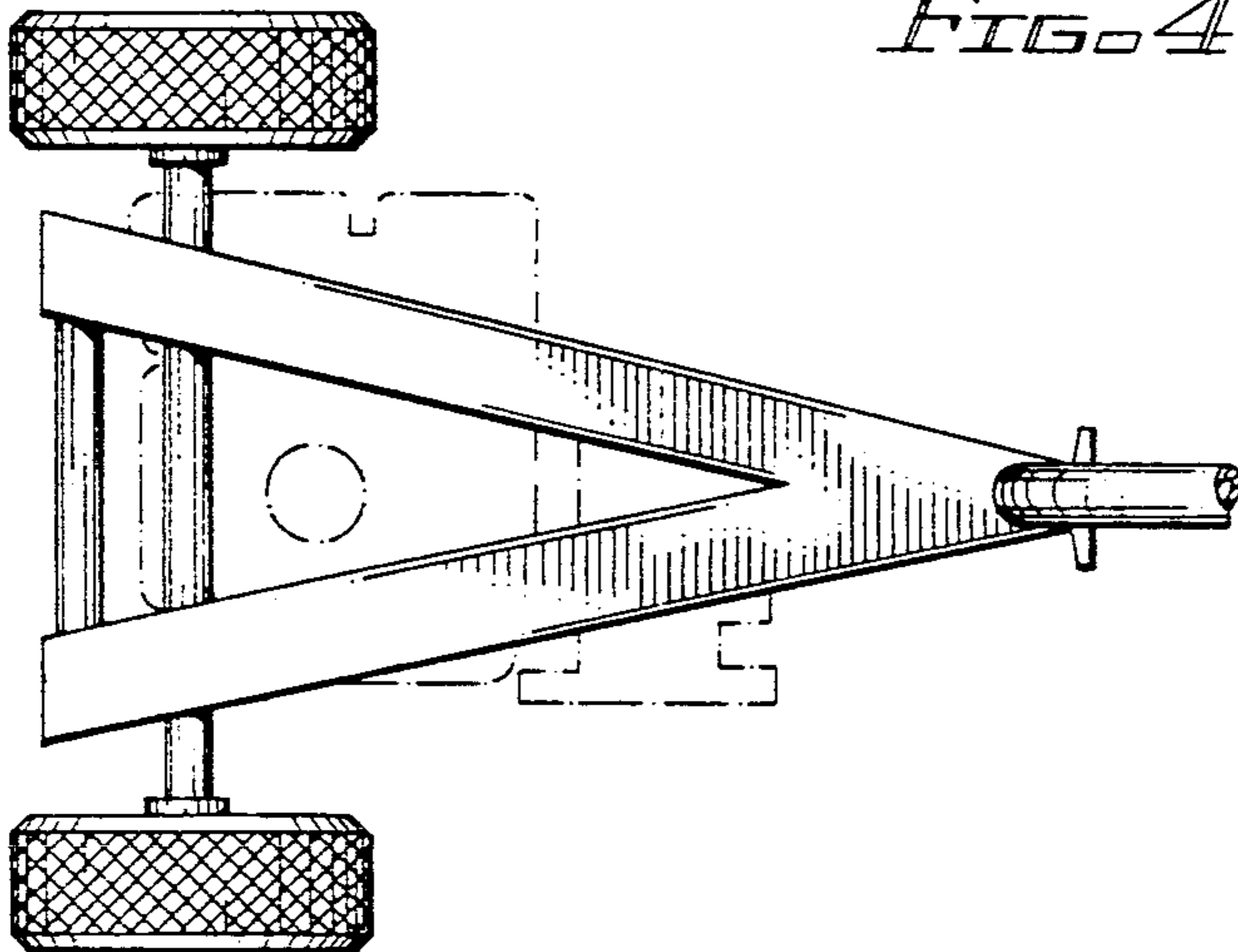


FIG. 2

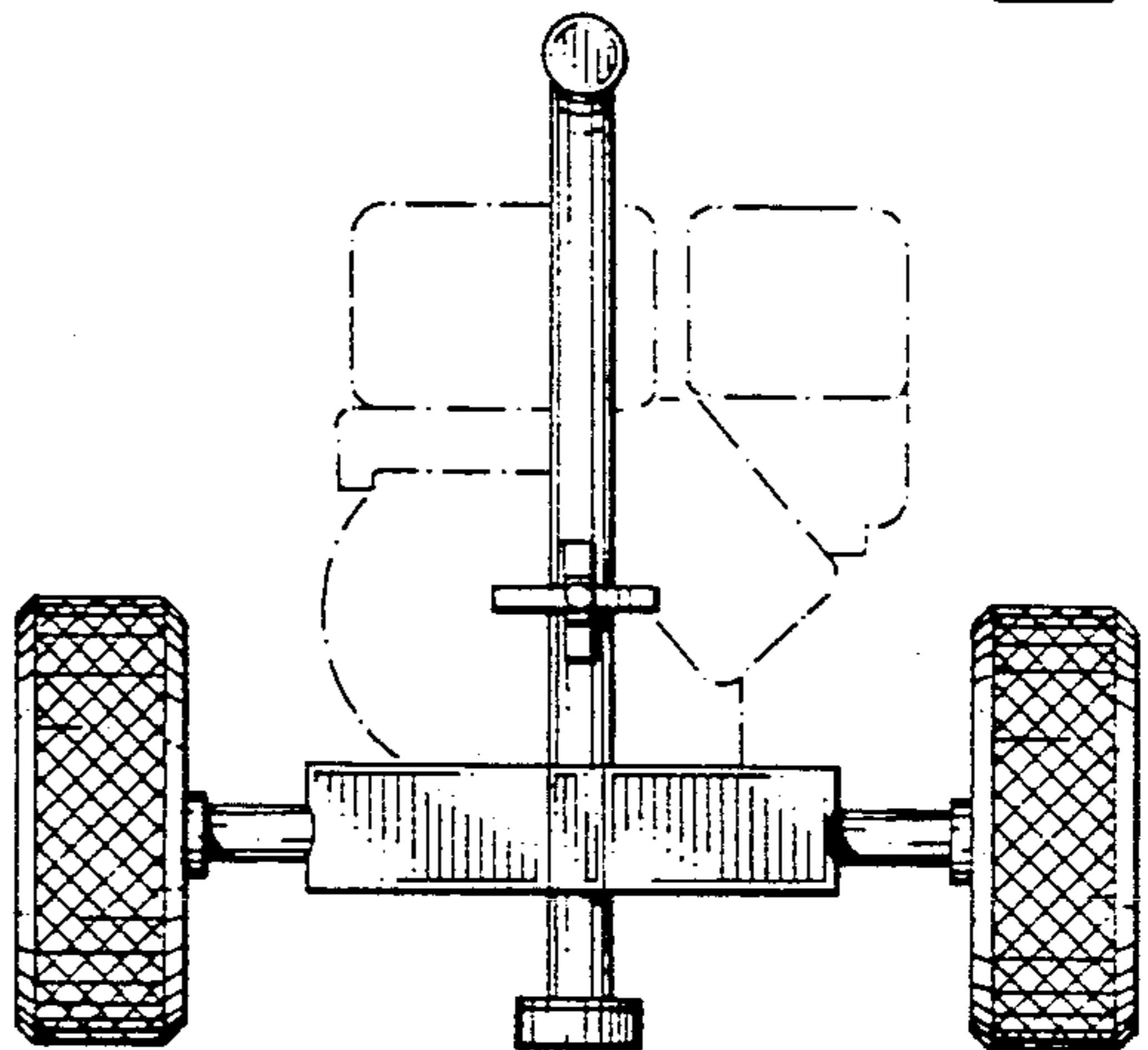


FIG. 5

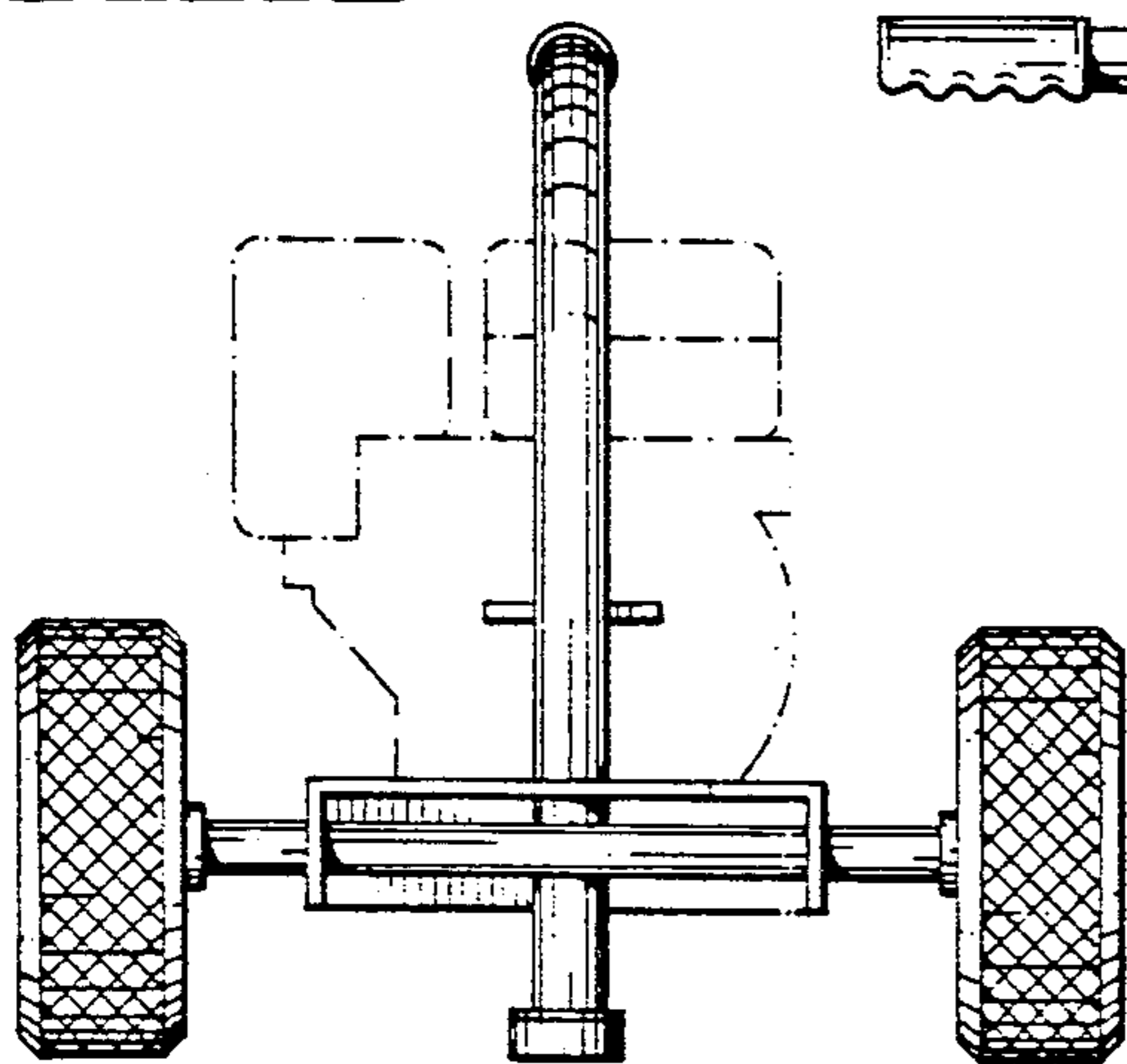


FIG. 3

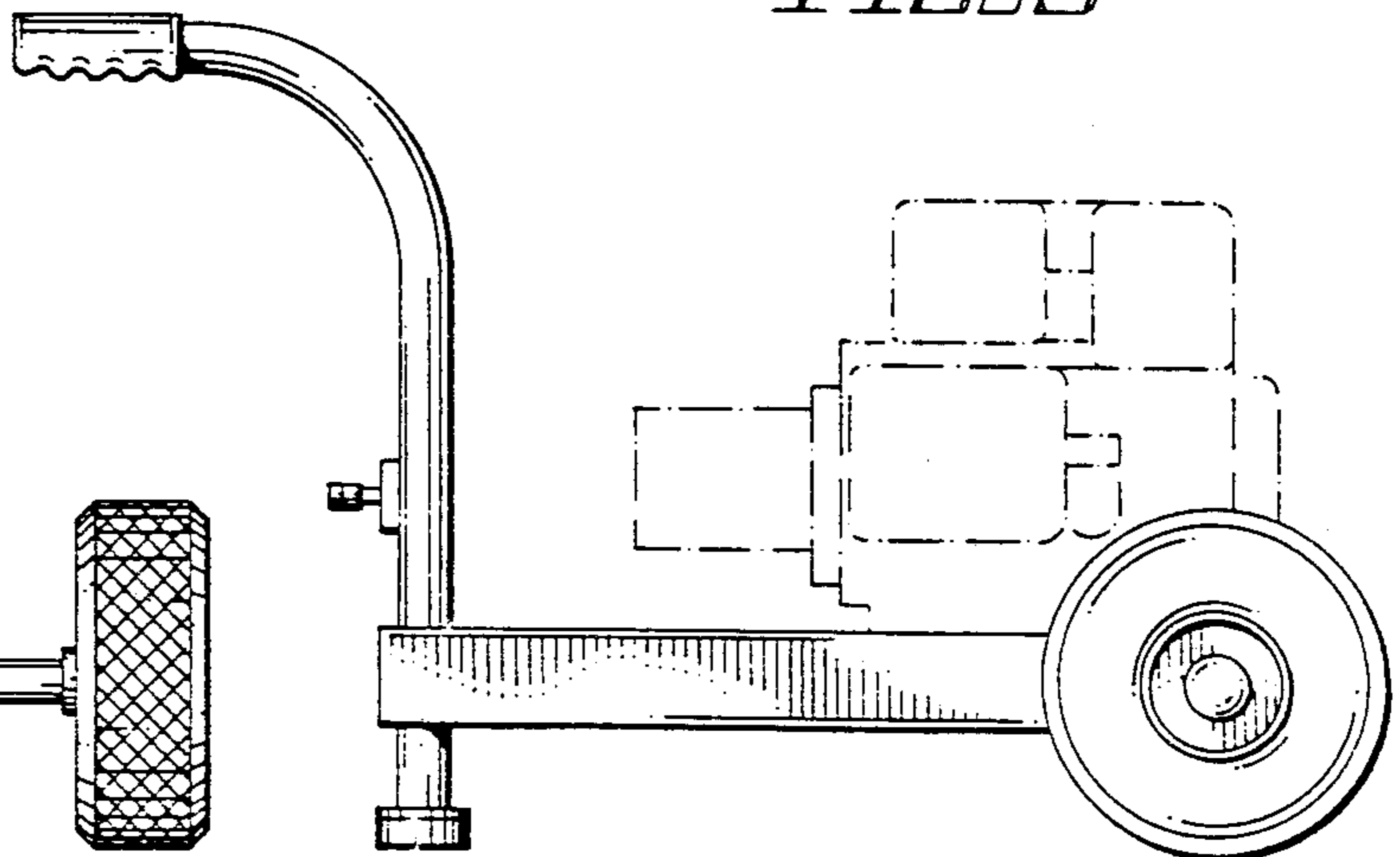


FIG. 6