

[54] STEP-ON WASTEBASKET

[75] Inventors: Charles W. Craft, Jr., Apple Creek; John L. Hradisky, Medina, both of Ohio

[73] Assignee: Rubbermaid Incorporated, Wooster, Ohio

[\*\*] Term: 14 Years

[21] Appl. No.: 464,752

[22] Filed: Jan. 12, 1990

[52] U.S. Cl. .... D34/9; D34/7

[58] Field of Search ..... D34/1, 7, 11, 9; 220/908, 909, 910, 264, 253, 17; 232/1 R, 43.2, 43.1

[56] References Cited

U.S. PATENT DOCUMENTS

D. 241,499	9/1976	Raftery .....	D7/195
D. 261,720	11/1981	Brazis .....	D34/9
D. 265,261	6/1982	Gerber .....	D32/37
D. 288,019	1/1987	Gebhard et al. ....	D34/9
D. 309,209	7/1990	Oliemans et al. ....	D34/7
3,008,604	11/1961	Garner .....	220/87
4,150,764	4/1979	Anderson .....	220/263
4,303,174	12/1981	Anderson .....	220/263
4,445,619	5/1984	Kubic et al. ....	220/263
4,785,964	11/1988	Miller et al. ....	220/263
4,865,214	9/1989	Kola et al. ....	220/263

OTHER PUBLICATIONS

Brochure on Hefty Designs published in 1988 by Mobil

Oil Corp., 150 E. 42nd Street, New York, N.Y. 10017-5666.

Excerpt from Rubbermaid "Focus on Value" brochure by Rubbermaid Incorporated, 1147 Akron Road, Wooster, Ohio 44691, published in 1988.

Excerpt from Rubbermaid "Food Service Products" brochure published in 1989 by Rubbermaid Commercial Products Inc. , 3124 Valley Avenue, Winchester, Va. 22601.

Excerpt from White Mipro brochure by White Mipro, 10702 46th Street, Tampa, Fla. 33617, published in 1988.

Primary Examiner—Kay H. Chin

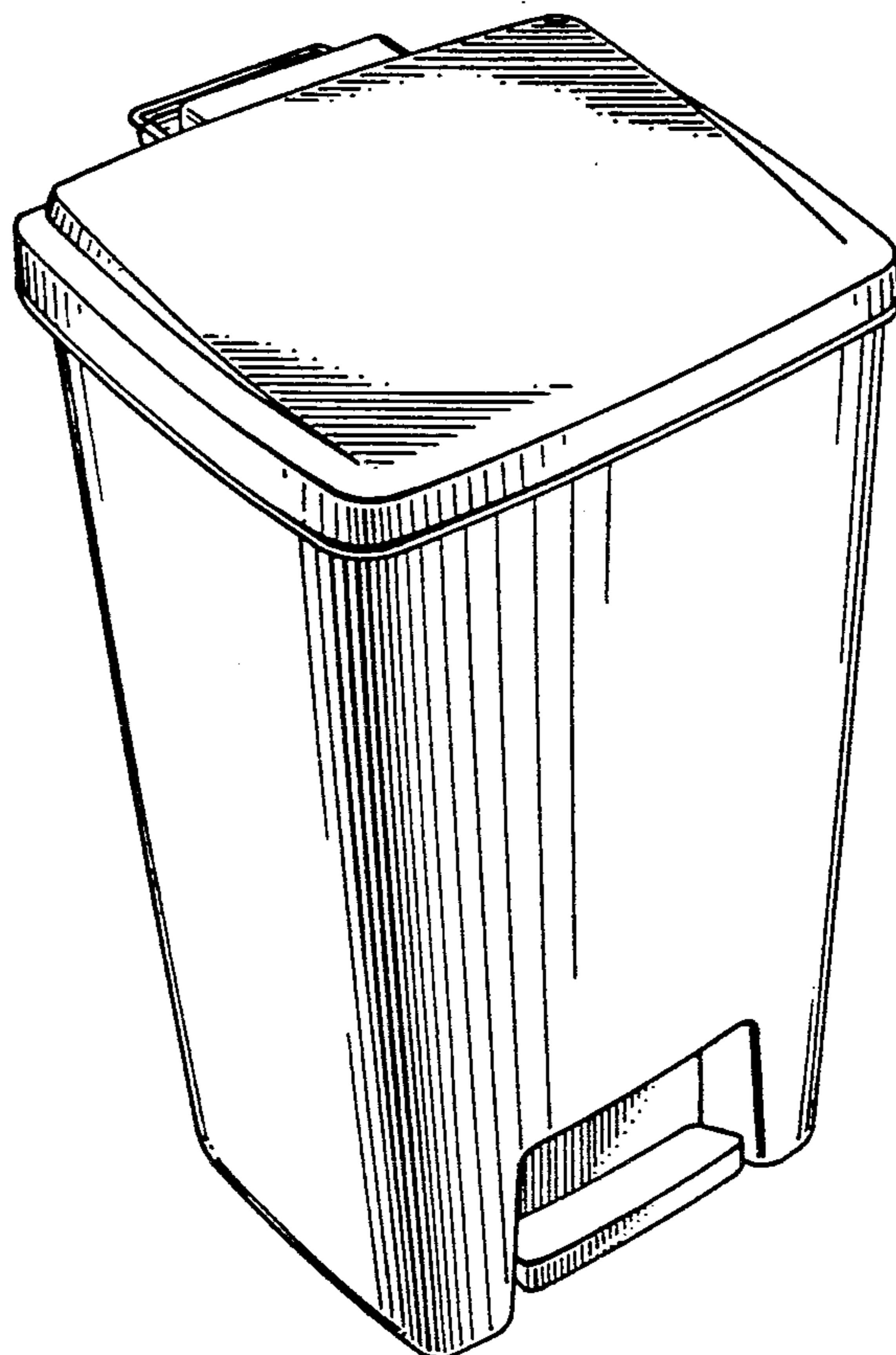
Attorney, Agent, or Firm—Renner, Kenner, Greive, Bobak, Taylor & Weber

[57] CLAIM

The ornamental design for a step-on wastebasket, as shown and described.

DESCRIPTION

FIG. 1 is a front and top perspective view of a step-on wastebasket showing my new design; FIG. 2 is a front and top perspective view thereof with the cover in an open condition; FIG. 3 is a top plan view thereof; FIG. 4 is a top plan view of FIG. 2; FIG. 5 is a front elevational view thereof; FIG. 6 is a rear elevational view thereof; FIG. 7 is a side elevational view thereof, the opposite side view being a mirror image of that shown; and FIG. 8 is a bottom plan view thereof.



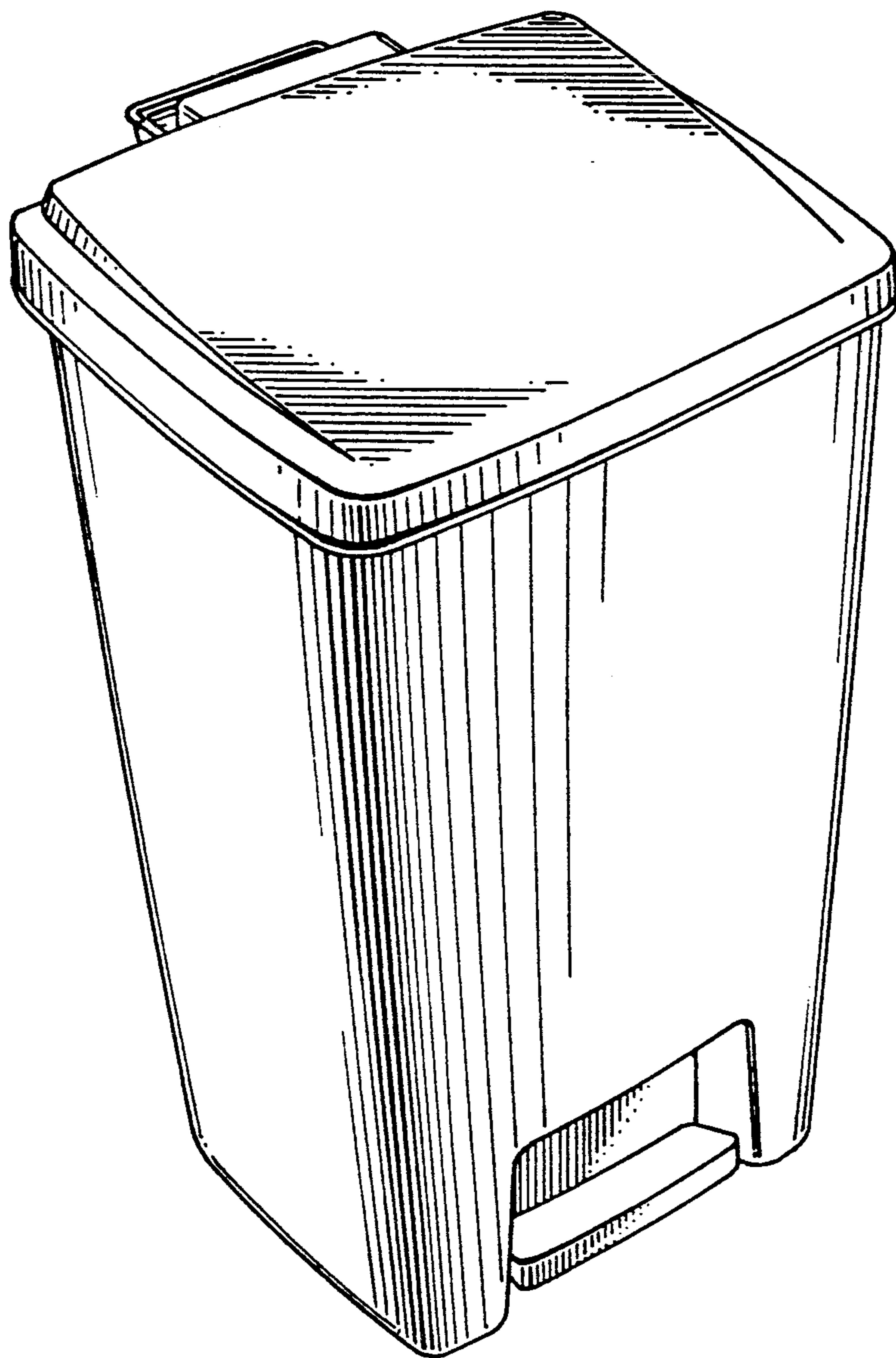


FIG. 1

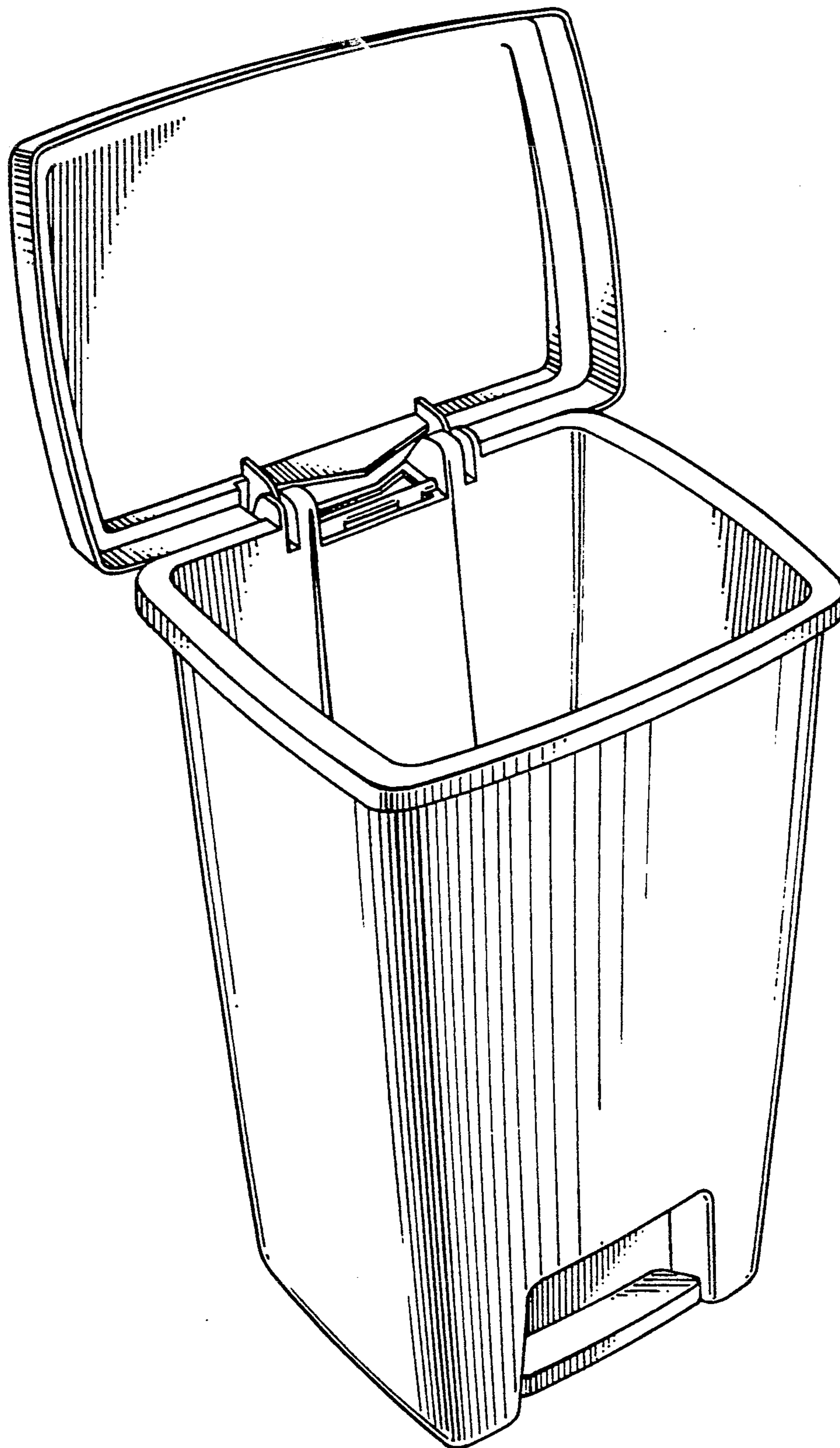


FIG. 2

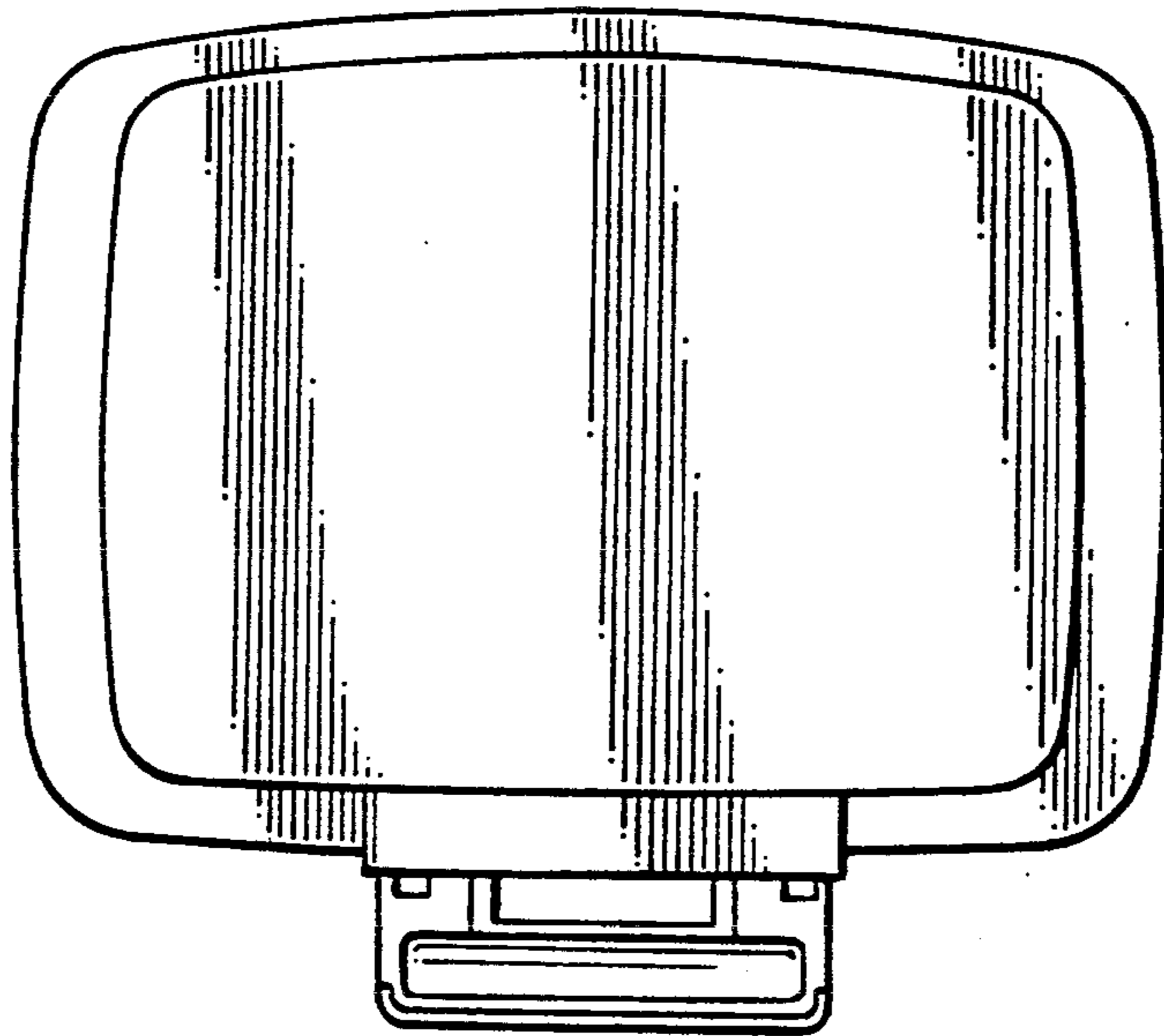


FIG. 3

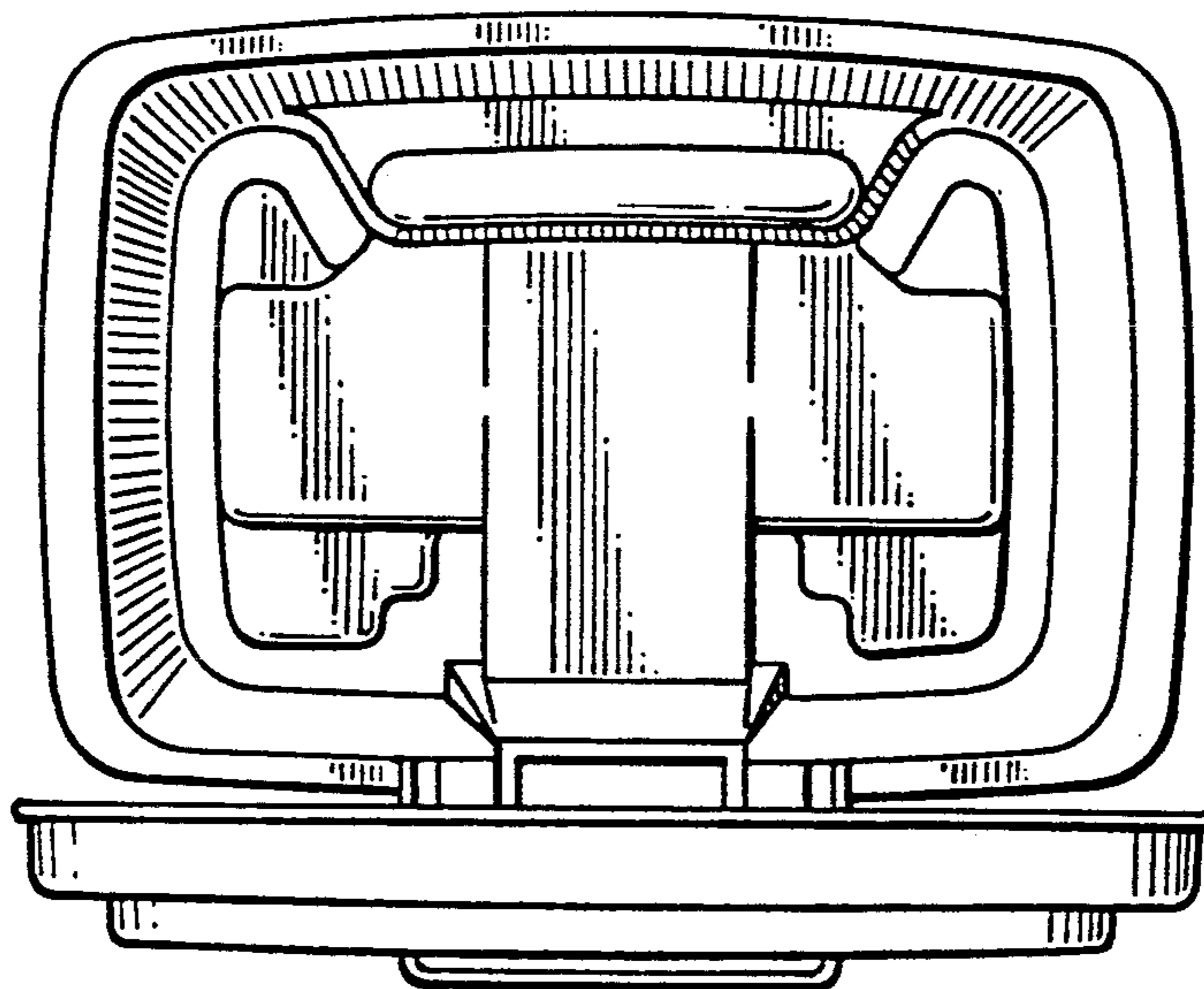


FIG. 4

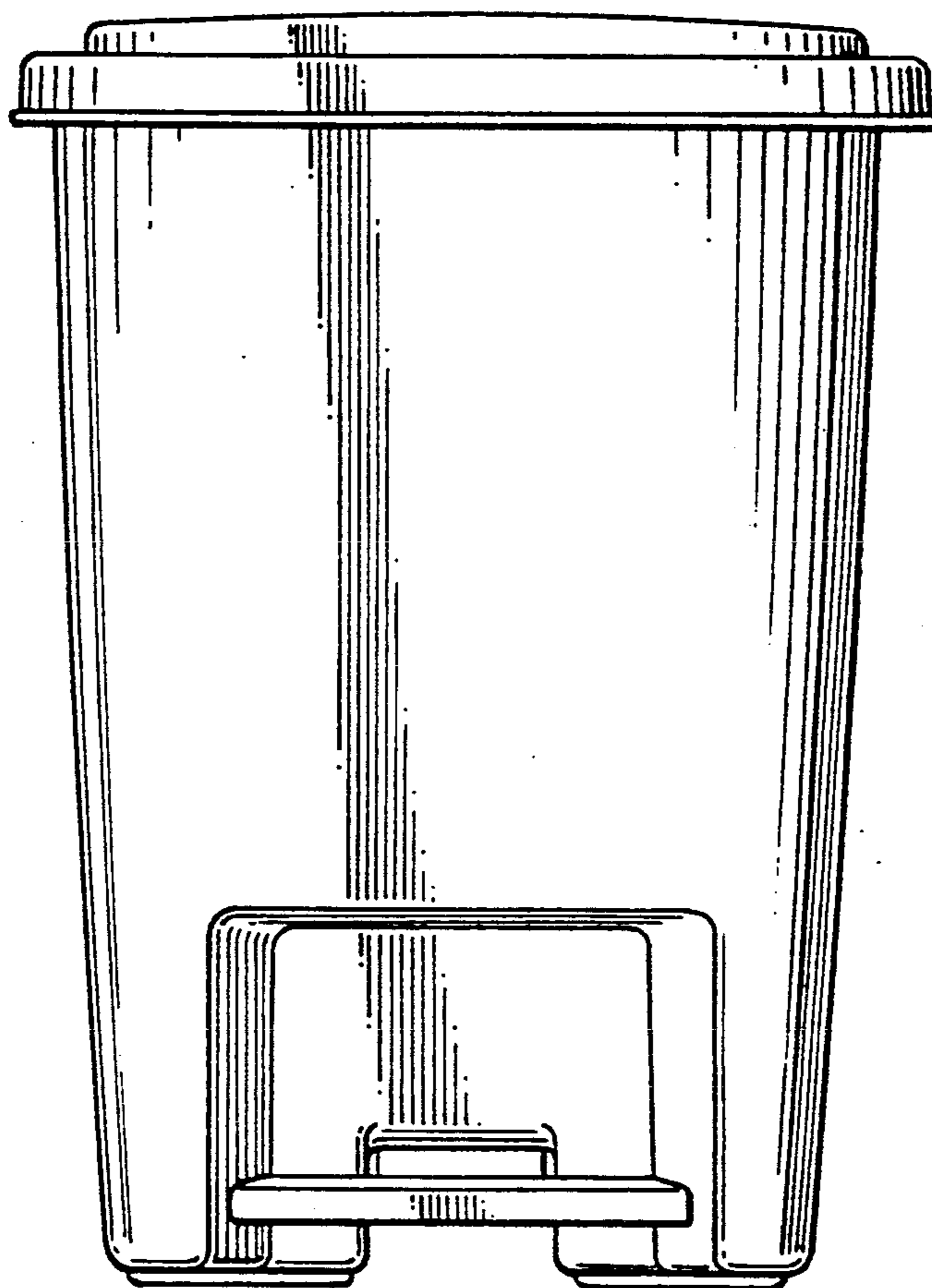


FIG. 5

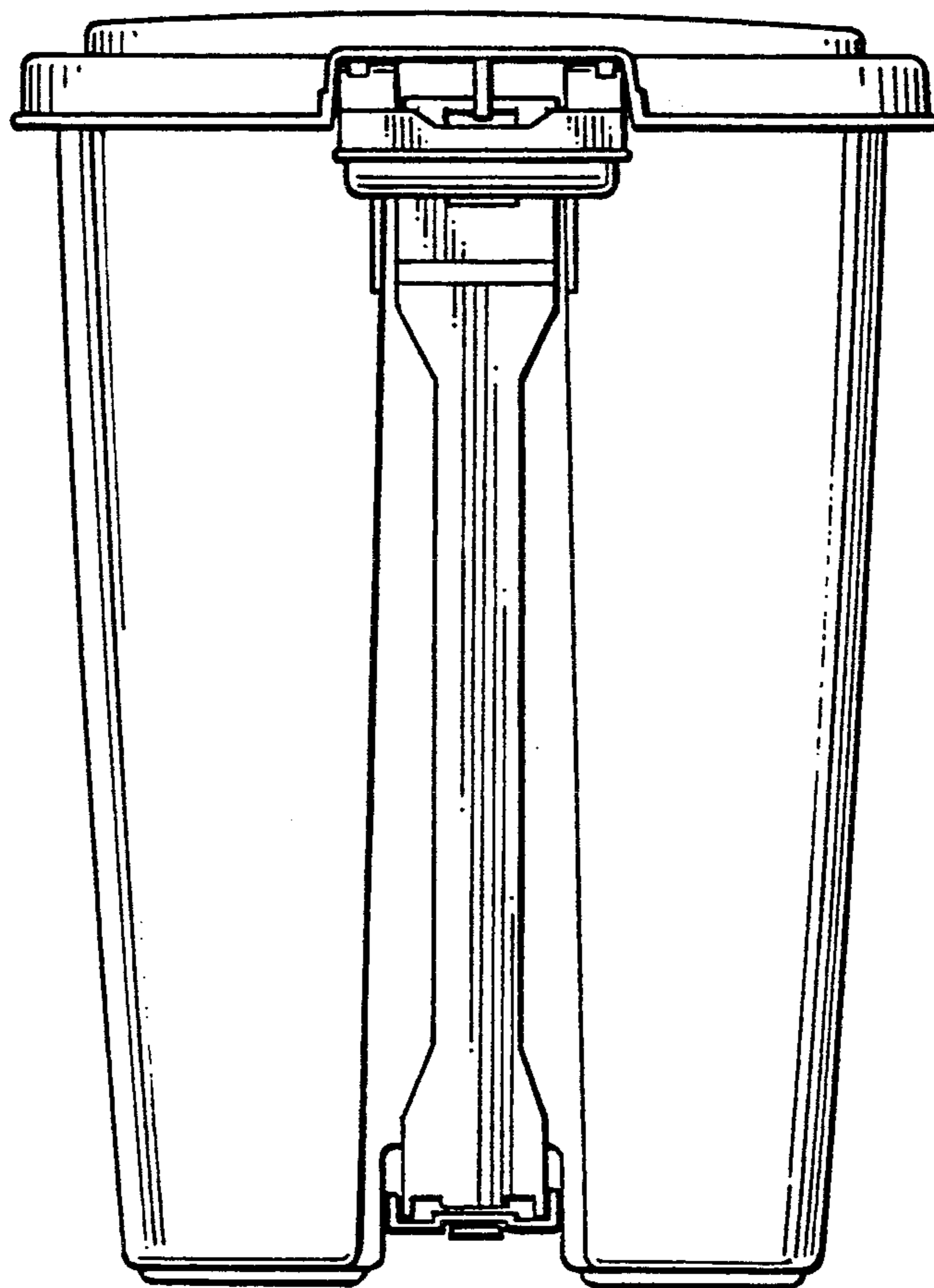


FIG. 6

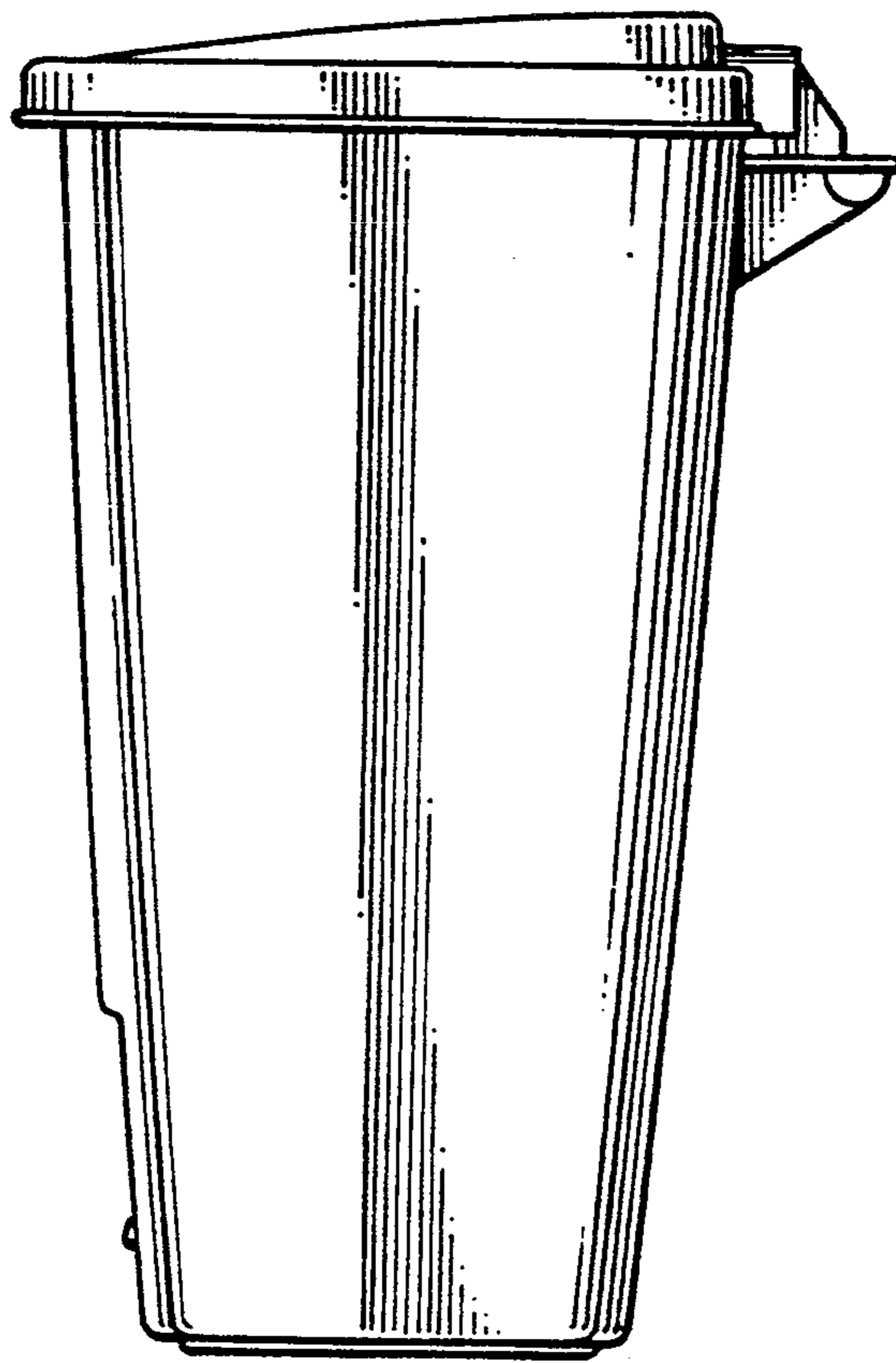


FIG. 7

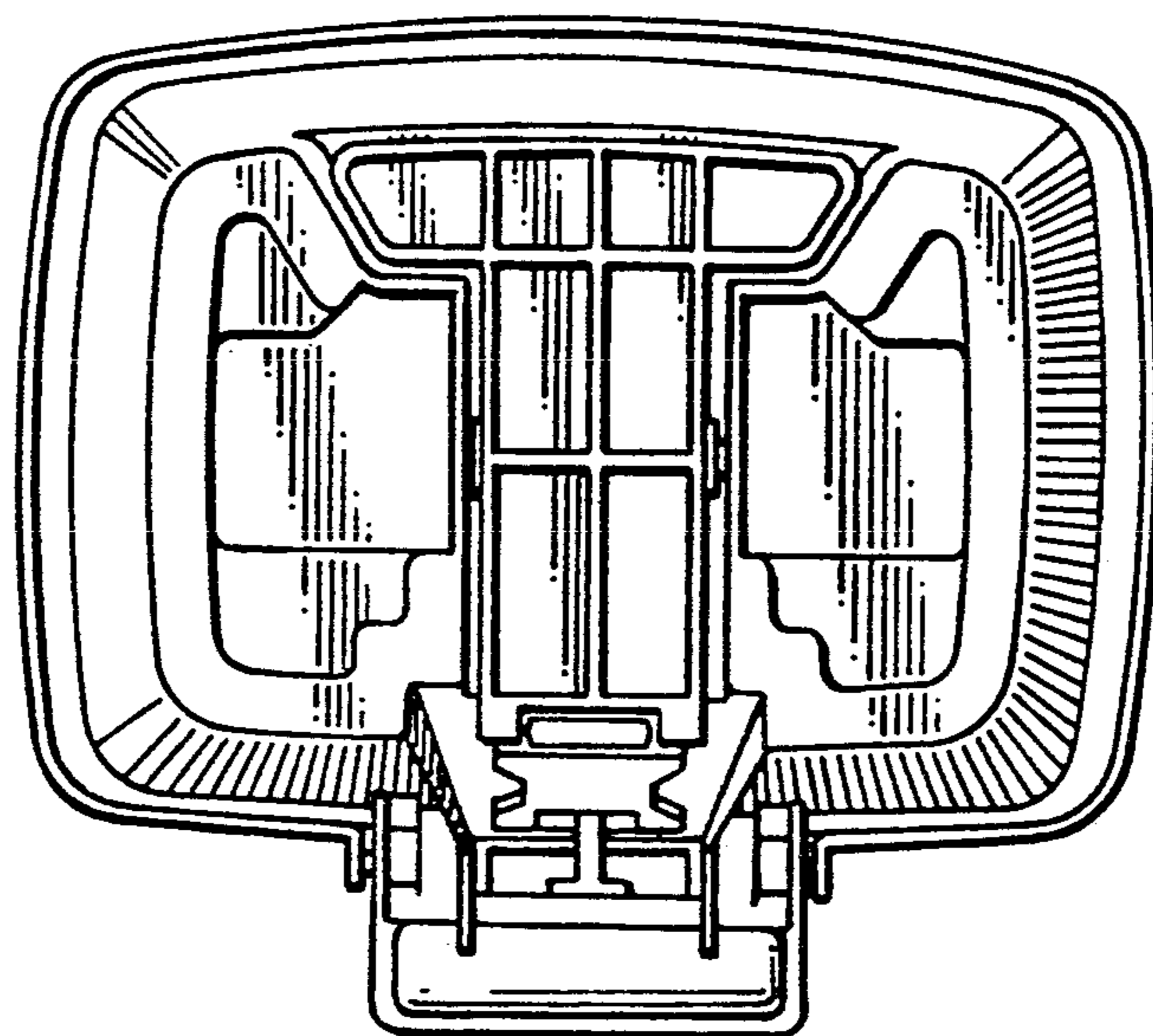


FIG. 8