

[54] GLOVE DRYING RACK

[75] Inventor: William M. Winkler, Jackson, Wyo.

[73] Assignee: Hearthside Products, Jackson, Wyo.

[**] Term: 14 Years

[21] Appl. No.: 662,889

[22] Filed: Mar. 1, 1991

[52] U.S. Cl. D32/58

[58] Field of Search D7/616; D32/35, 55-59;
34/21, 103-104, 239-240; 211/13, 41, 59.1, 71,
74-75, 106

[56] References Cited

U.S. PATENT DOCUMENTS

- D. 243,313 2/1977 Varnado D32/58
- D. 310,742 9/1990 Johnson D32/58
- 462,032 10/1891 Chaddock 211/13

OTHER PUBLICATIONS

Sargent-Welch, ©1971, Support, item No. S78785, p. 1020.

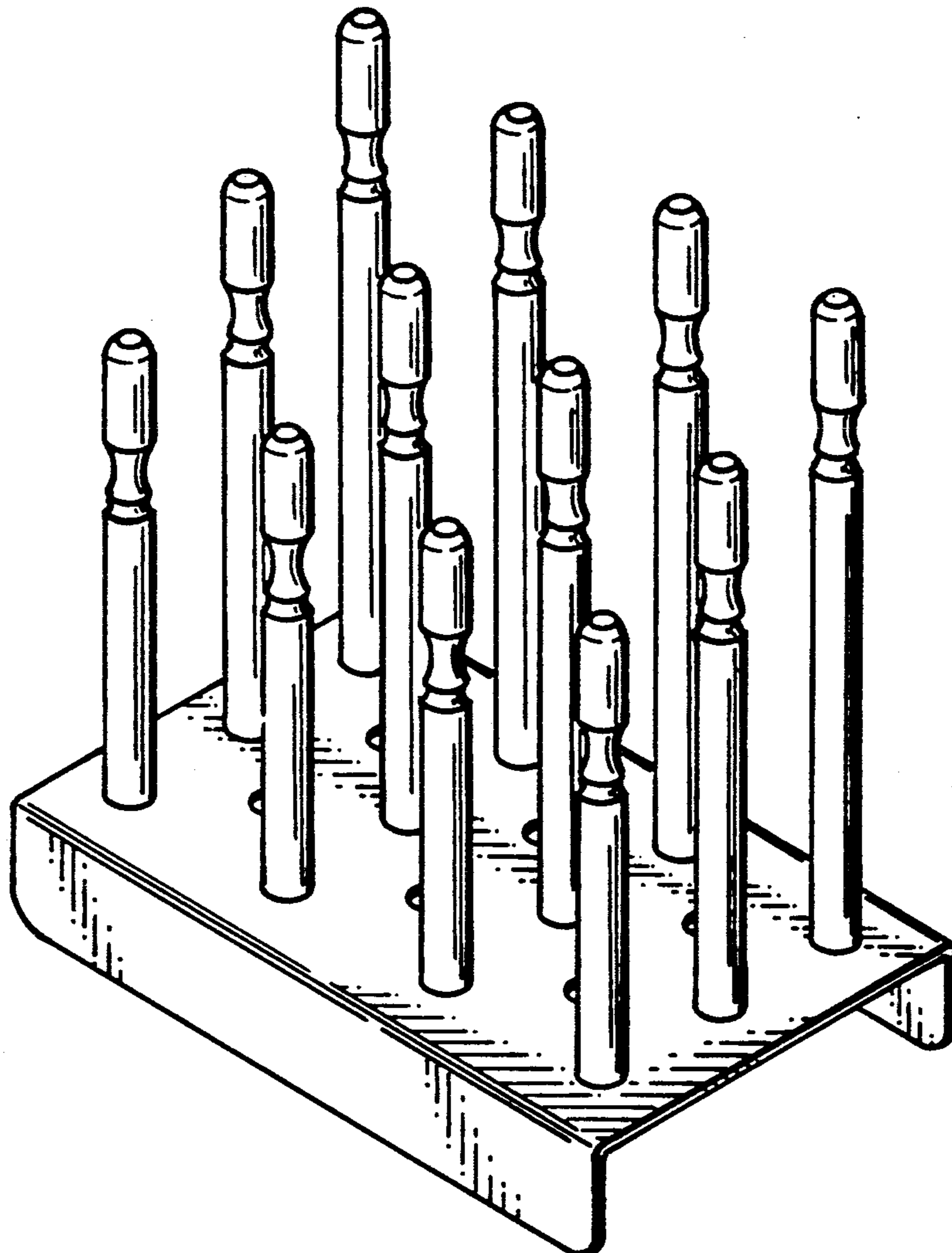
Primary Examiner—Wallace R. Burke
Assistant Examiner—Lavone D. Tabor
Attorney, Agent, or Firm—Thorpe, North & Western

[57] CLAIM

The ornamental design for a glove drying rack, as shown and described.

DESCRIPTION

FIG. 1 is a perspective view of a glove drying rack showing my new design;
FIG. 2 is a front elevational view thereof;
FIG. 3 is a rear elevational view thereof;
FIG. 4 is a side elevational view thereof, the opposite side being a mirror image; and
FIG. 5 is a top plan view thereof.
The undisclosed bottom is unornamented and follows the contour as indicated in FIG. 4.



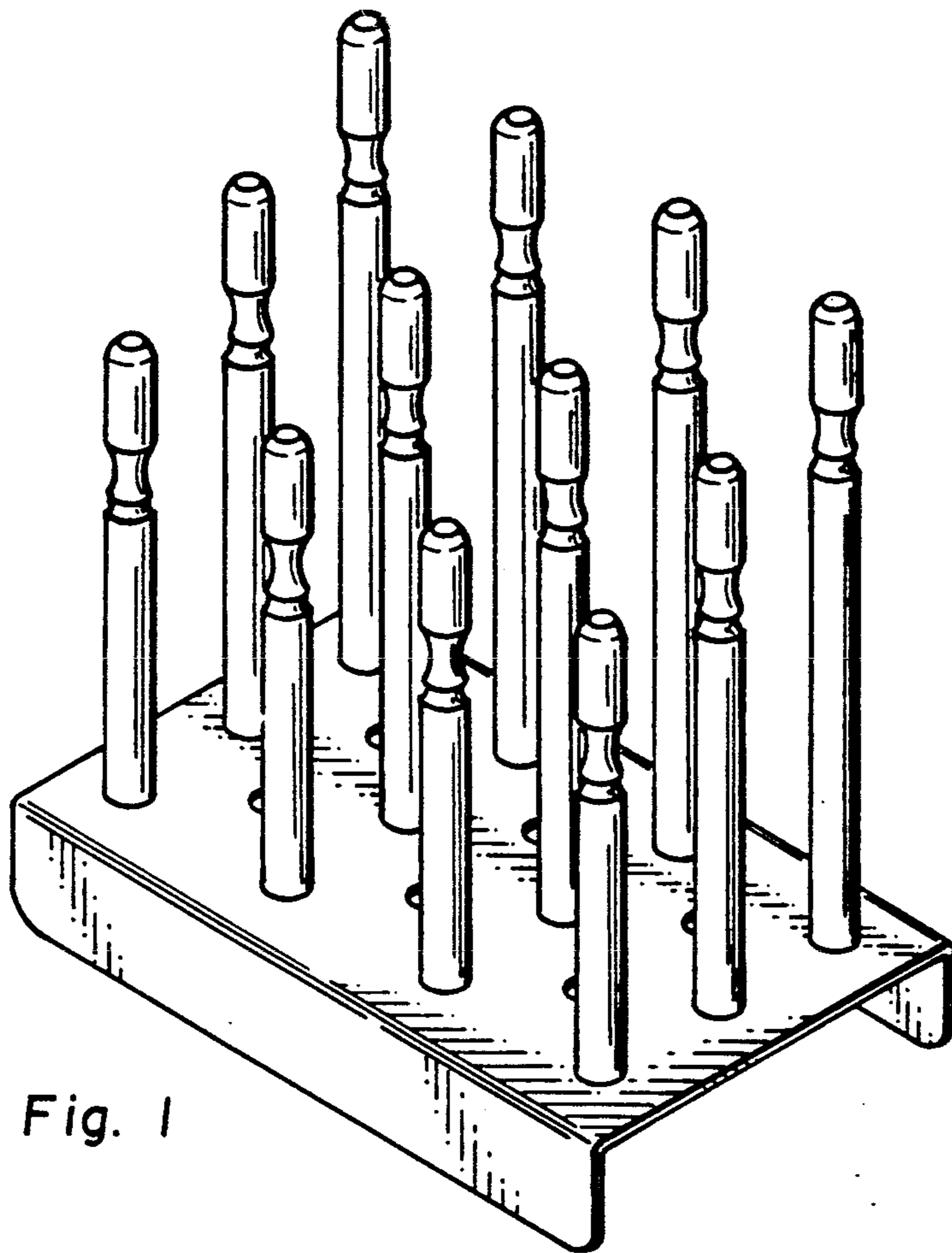


Fig. 1

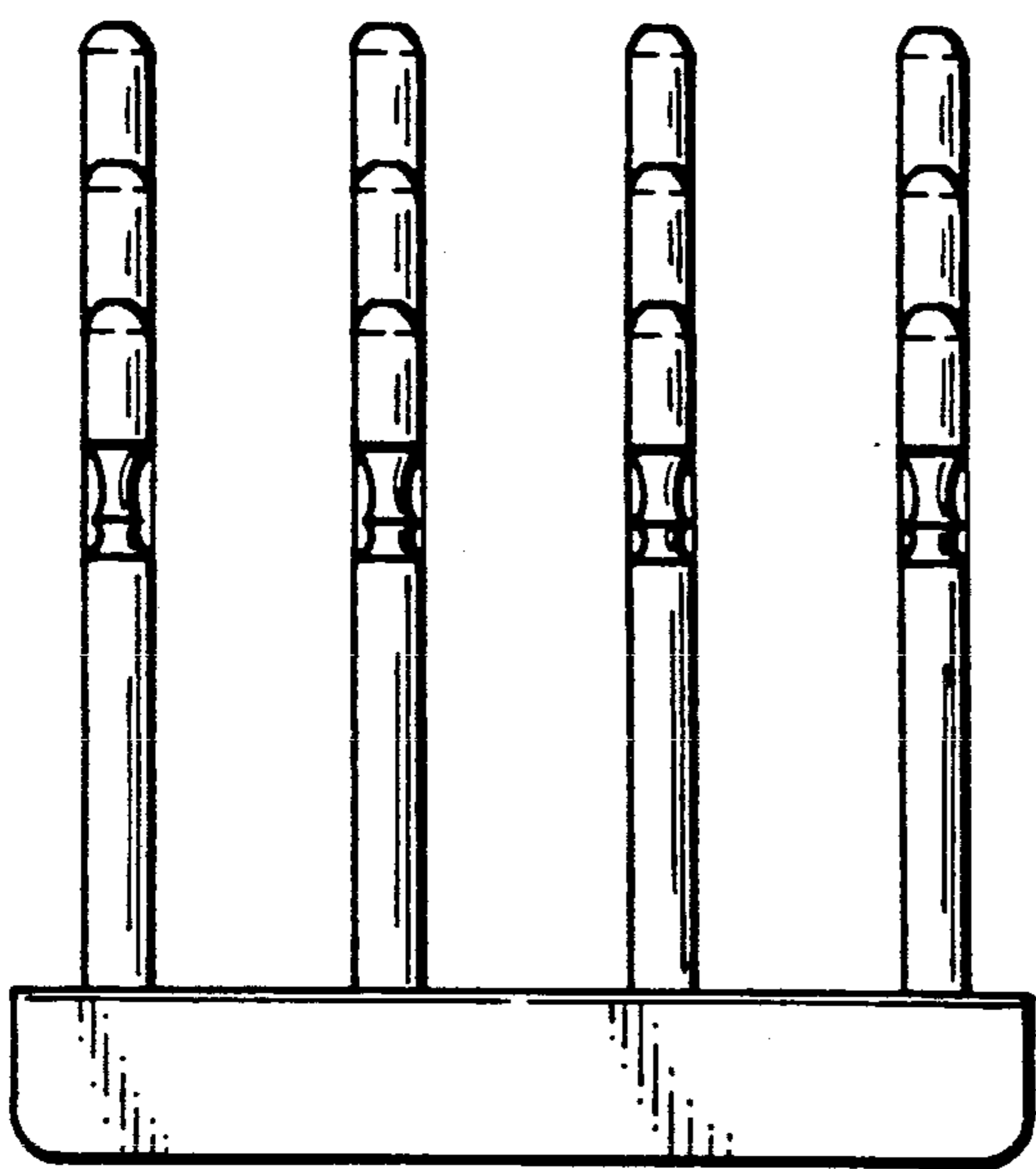


Fig. 2

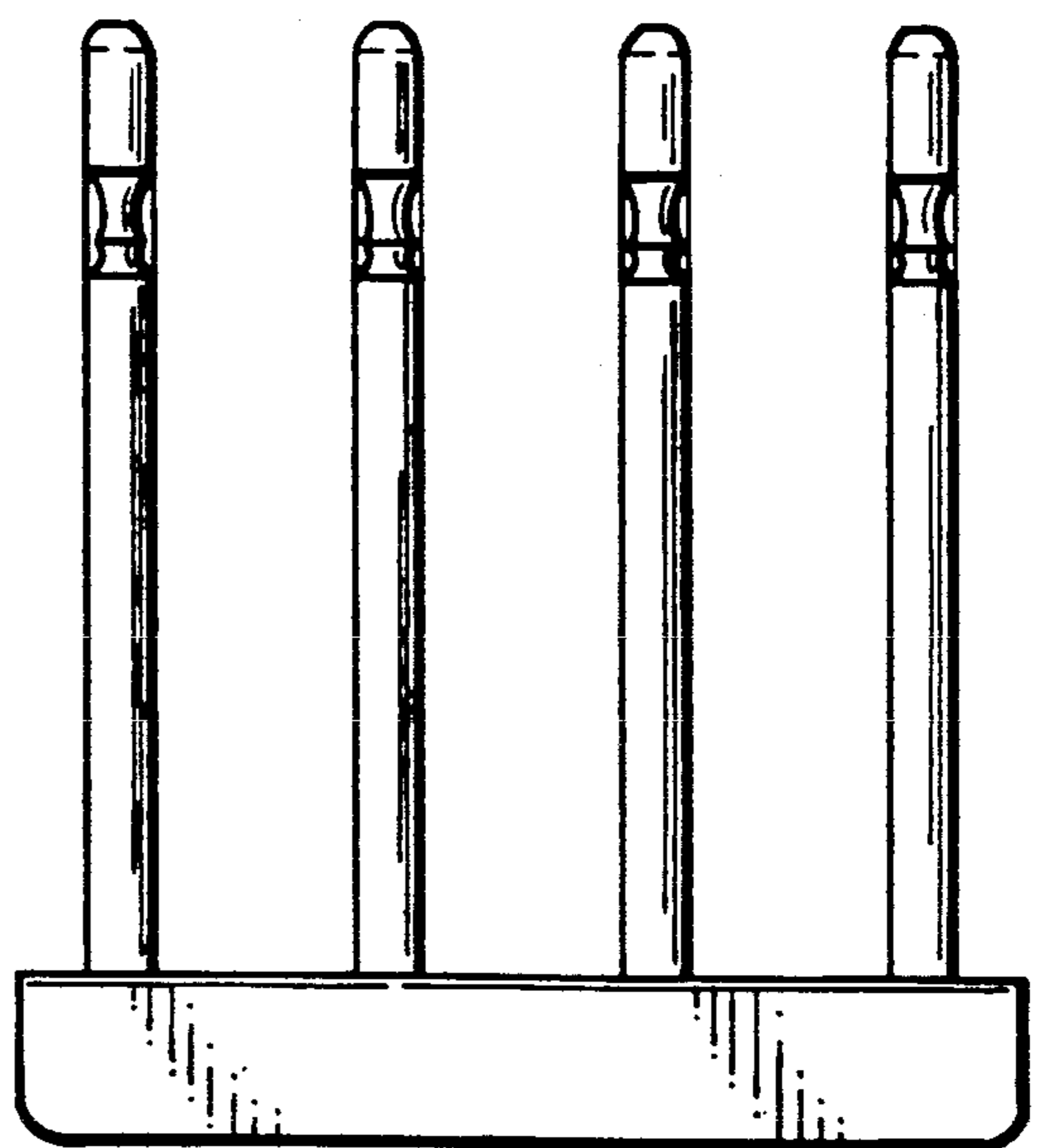


Fig. 3

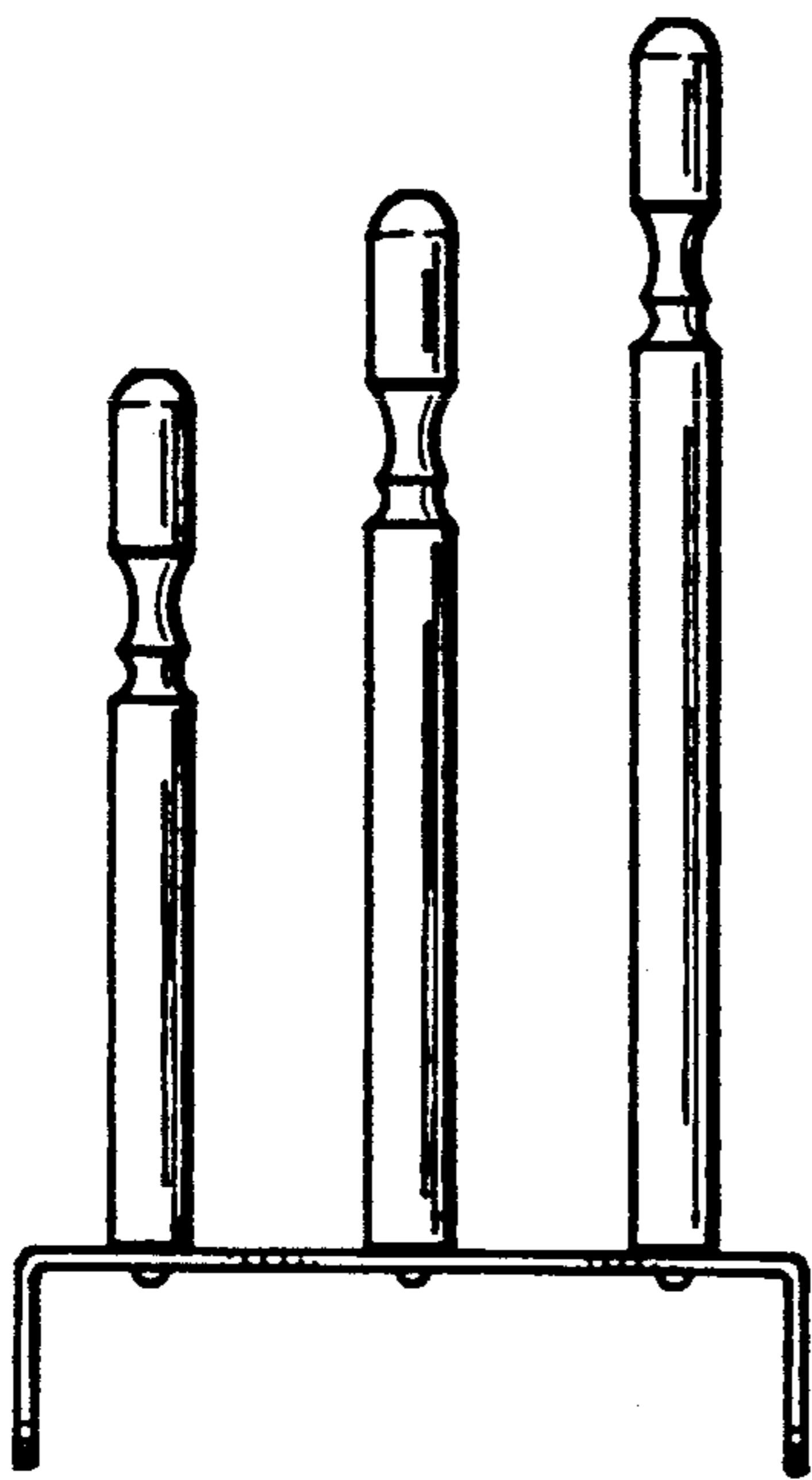


Fig. 4

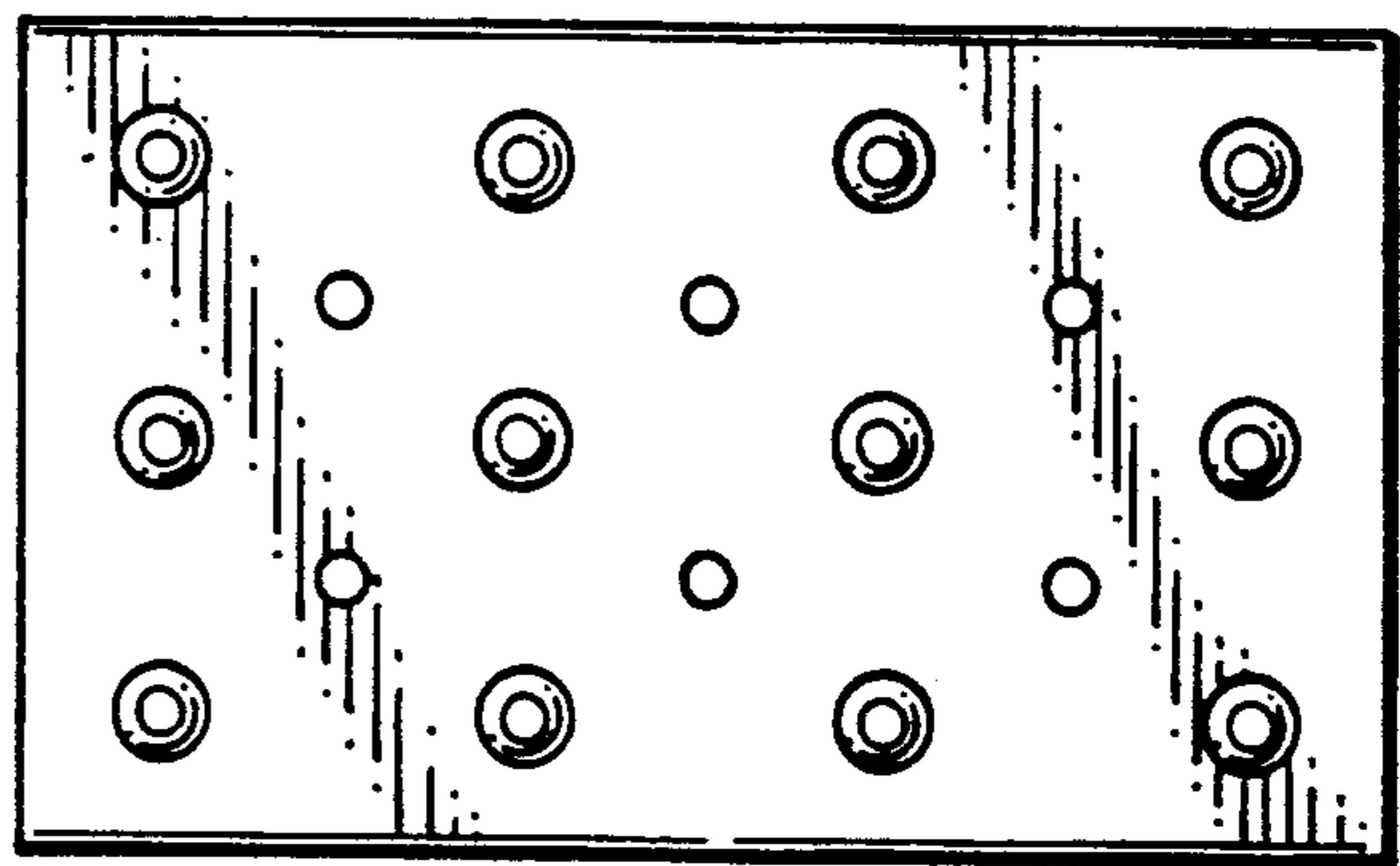


Fig. 5