

[54] BOTTLE DRYING RACK

4,238,035 12/1980 Kassanchuk 211/74

[76] Inventor: Keith W. Percy, R.R. 4, Box 15A
Center St., Bryan, Ohio 43506

Primary Examiner—Wallace R. Burke
Assistant Examiner—Lavone D. Tabor
Attorney, Agent, or Firm—Reese Taylor

[**] Term: 14 Years

[21] Appl. No.: 496,624

[57] CLAIM

[22] Filed: Mar. 21, 1990

The ornamental design for a bottle drying rack, as shown and described.

[52] U.S. Cl. D32/58

[58] Field of Search D7/616; D32/35, 55-59;
34/21, 103-104, 239-240; 211/41, 59.1, 71,
74-75, 106

DESCRIPTION

[56] References Cited

U.S. PATENT DOCUMENTS

- D. 194,512 2/1963 Donaldson, Sr. D32/58
- D. 271,913 12/1983 Nanfito et al. D32/55
- 2,957,585 10/1960 Berlener 211/74
- 4,162,015 7/1979 Hodges 211/87

FIG. 1 is a perspective view of a bottle drying rack showing my new design.

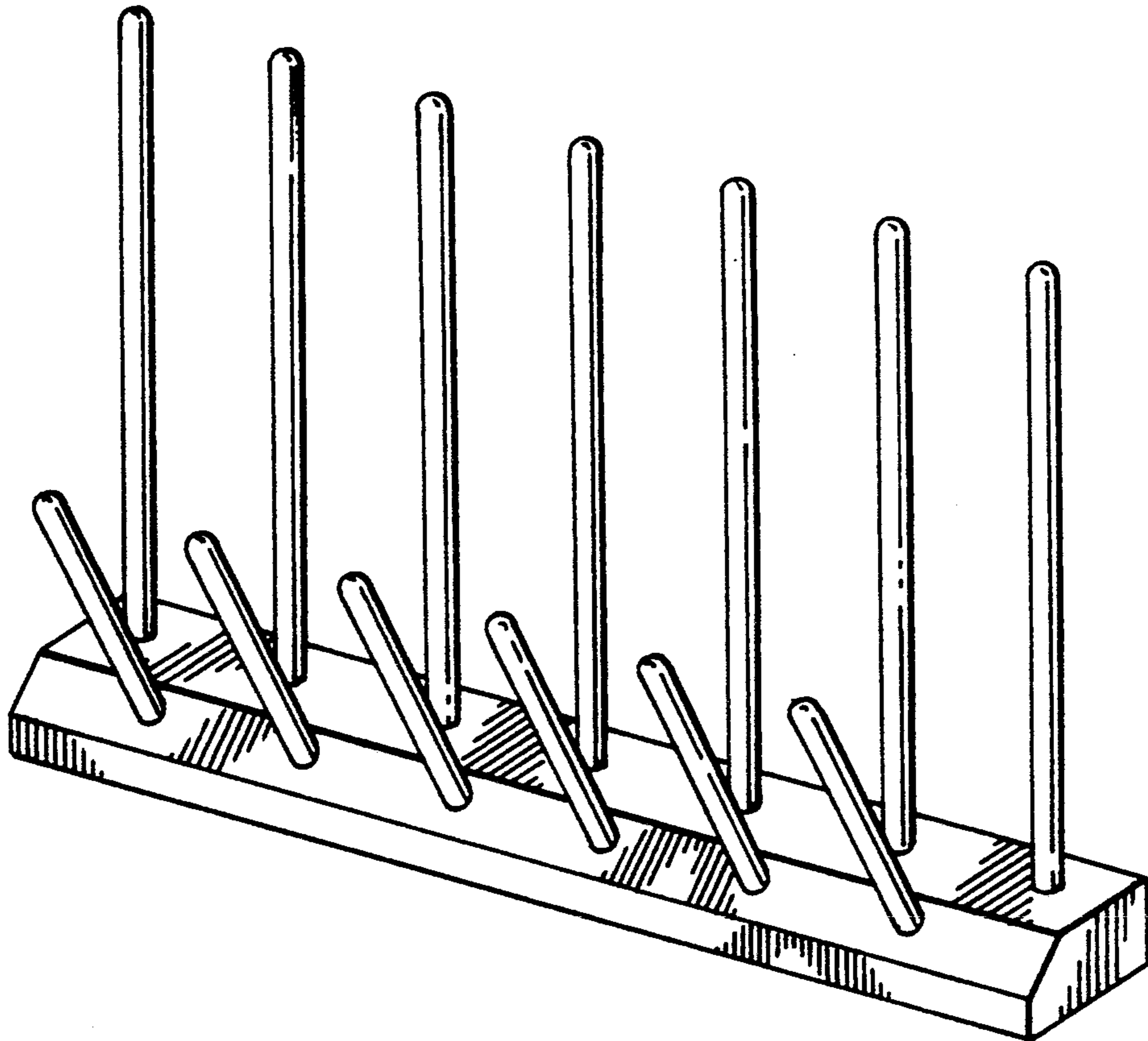
FIG. 2 is a side elevational view thereof taken from the left of FIG. 1, the right side being a mirror image thereof.

FIG. 3 is a front elevational view thereof.

FIG. 4 is a top plan view thereof.

FIG. 5 is a rear elevational view thereof.

FIG. 6 is a bottom plan view thereof.



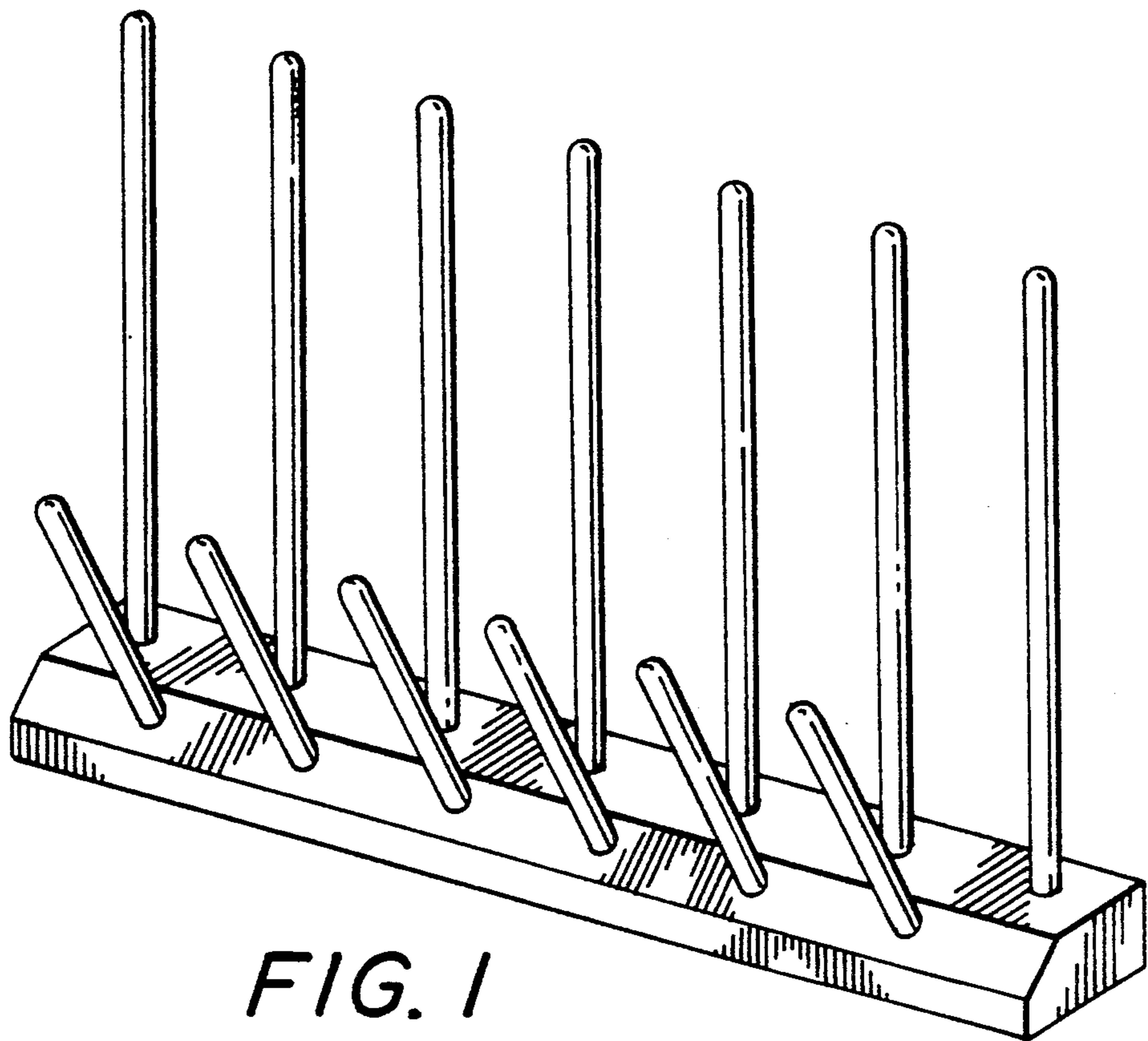


FIG. 1

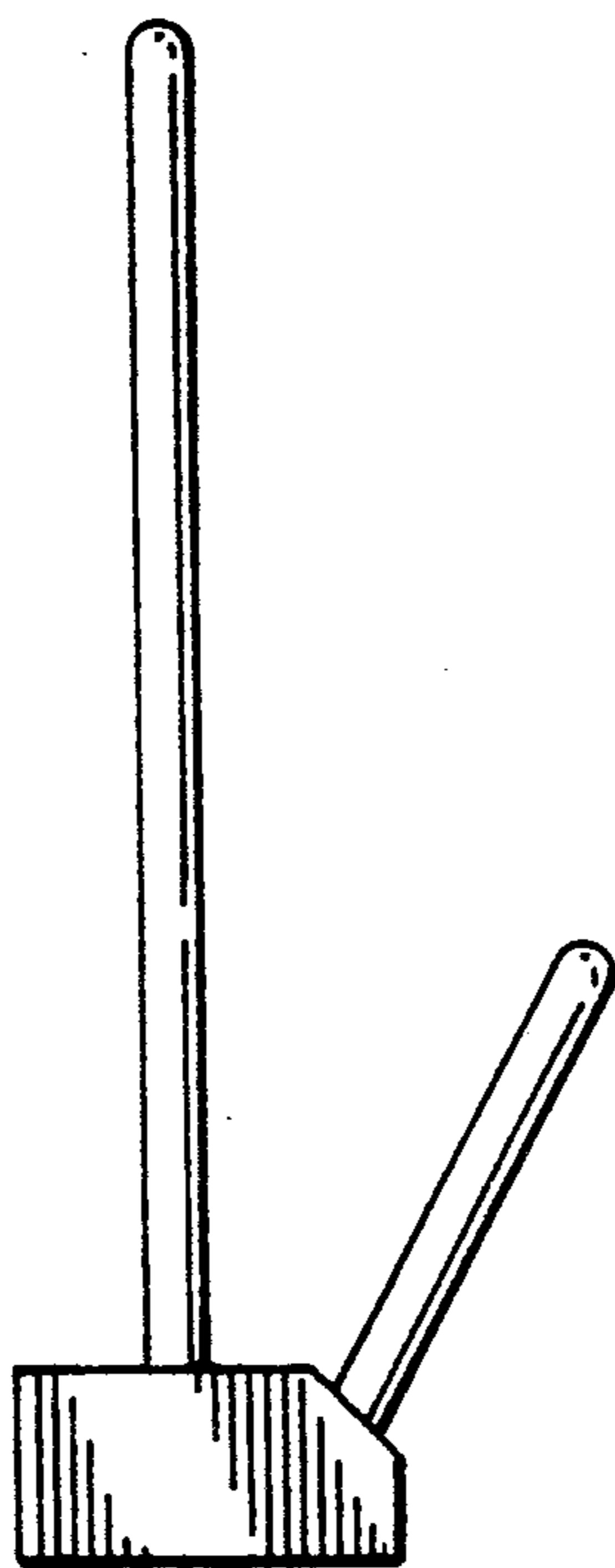


FIG. 2

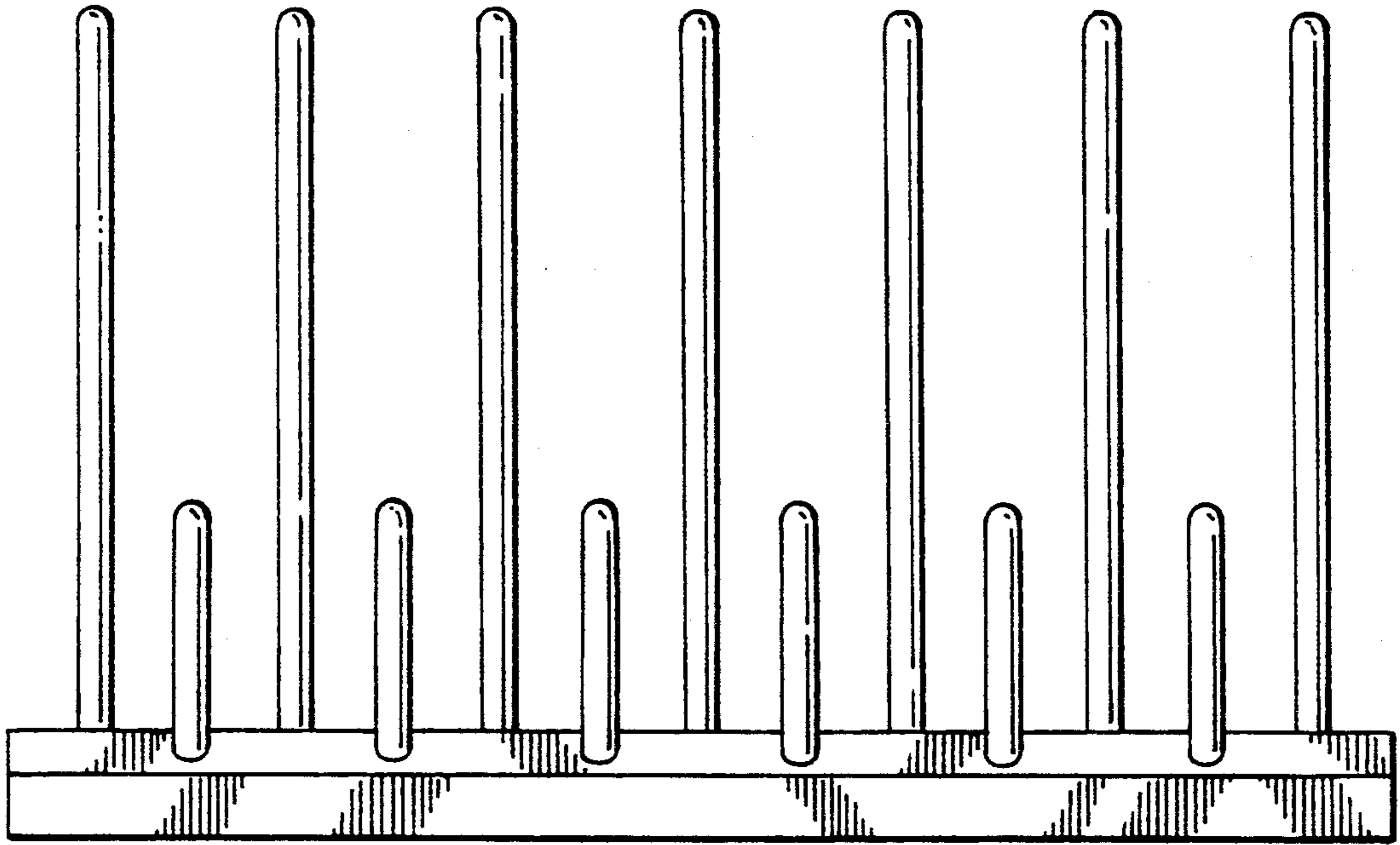


FIG. 3

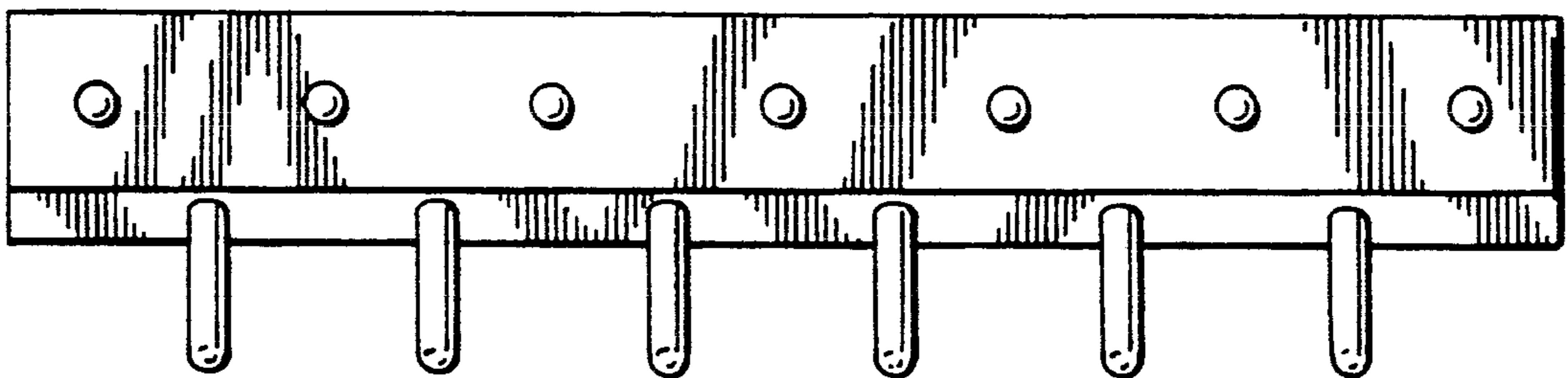


FIG. 4

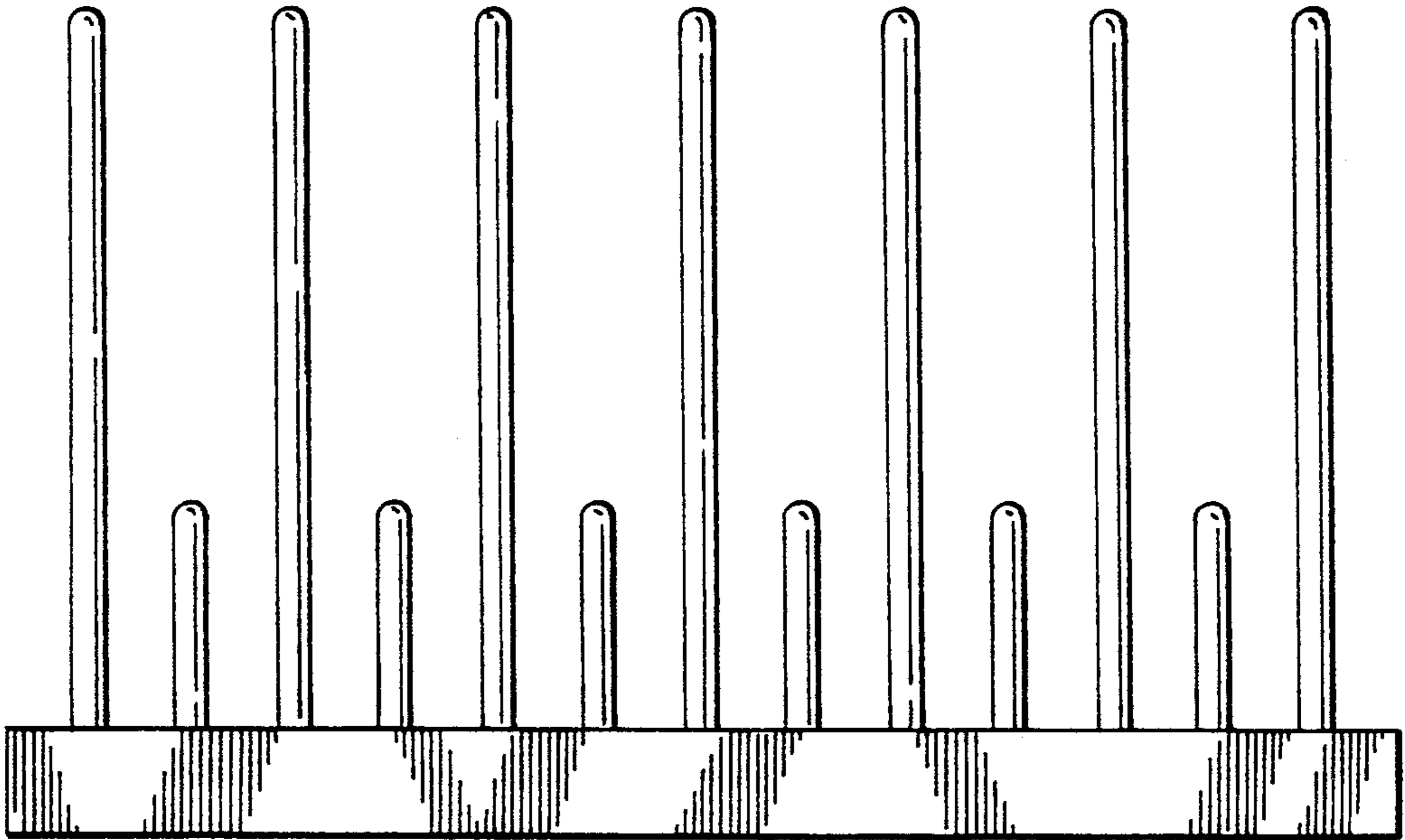


FIG. 5

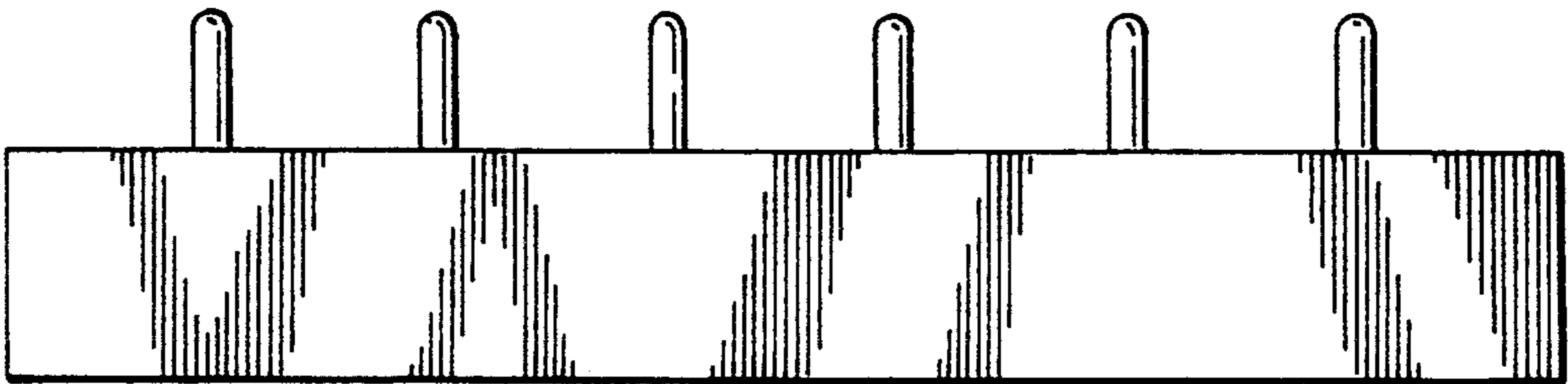


FIG. 6