

[54] **CAN HANDLE**

Attorney, Agent, or Firm—Siegmar Silber

[76] **Inventor: Stephen Rokita, P.O. Box 100, Sussex, N.J. 07461**

[57] **CLAIM**

The ornamental design for a can handle, as shown and described.

[**] **Term: 14 Years**

DESCRIPTION

[21] **Appl. No.: 369,662**

FIG. 1 is a perspective view of a can handle, showing my new design;

[22] **Filed: Jun. 19, 1989**

FIG. 2 is a top plan view thereof, with the handle in a horizontal position;

[52] **U.S. Cl. D32/54**

FIG. 3 is a front elevational view thereof, with the handle in a vertical position;

[58] **Field of Search D8/300, 303, 307, 315, D8/317, 319; D9/434, 455, 499; D32/53, 53.1, 54; 16/11 R, 12 S, DIG. 12, DIG. 19; 220/94 R, 95; 229/915; 294/153, 164, 171**

FIG. 4 is a right side perspective view thereof;

FIG. 5 is a fragmentary perspective view of the buckle in FIG. 3, with the buckle in an open position;

[56] **References Cited**

U.S. PATENT DOCUMENTS

D. 197,315	1/1964	Kahliff	D8/317
D. 306,507	3/1990	Lund	D32/54
2,711,337	6/1955	Keenan	220/95
2,793,670	5/1957	Schmidt	220/95
3,043,471	7/1962	Coulson et al.	16/125
4,266,746	5/1981	Klaiber	220/95

FIG. 6 is a perspective view of the design in FIG. 1, the only difference being the configuration of the handle and the buckle;

FIG. 7 is a top plan view of FIG. 6, with the handle in a horizontal position;

FIG. 8 is a front elevational view of FIG. 6, with the handle in a vertical position;

FIG. 9 is a right side perspective view of FIG. 6;

FIG. 10 is a fragmentary perspective view of the buckle in FIG. 8, with the buckle in an open position.

FOREIGN PATENT DOCUMENTS

0555573	8/1943	United Kingdom	16/125
---------	--------	----------------------	--------

The broken line showing of a bucket in FIGS. 1 and 6 is for illustrative purposes only, and forms no part of the claimed design.

Primary Examiner—Bernard Ansher

Assistant Examiner—Sandra Morris

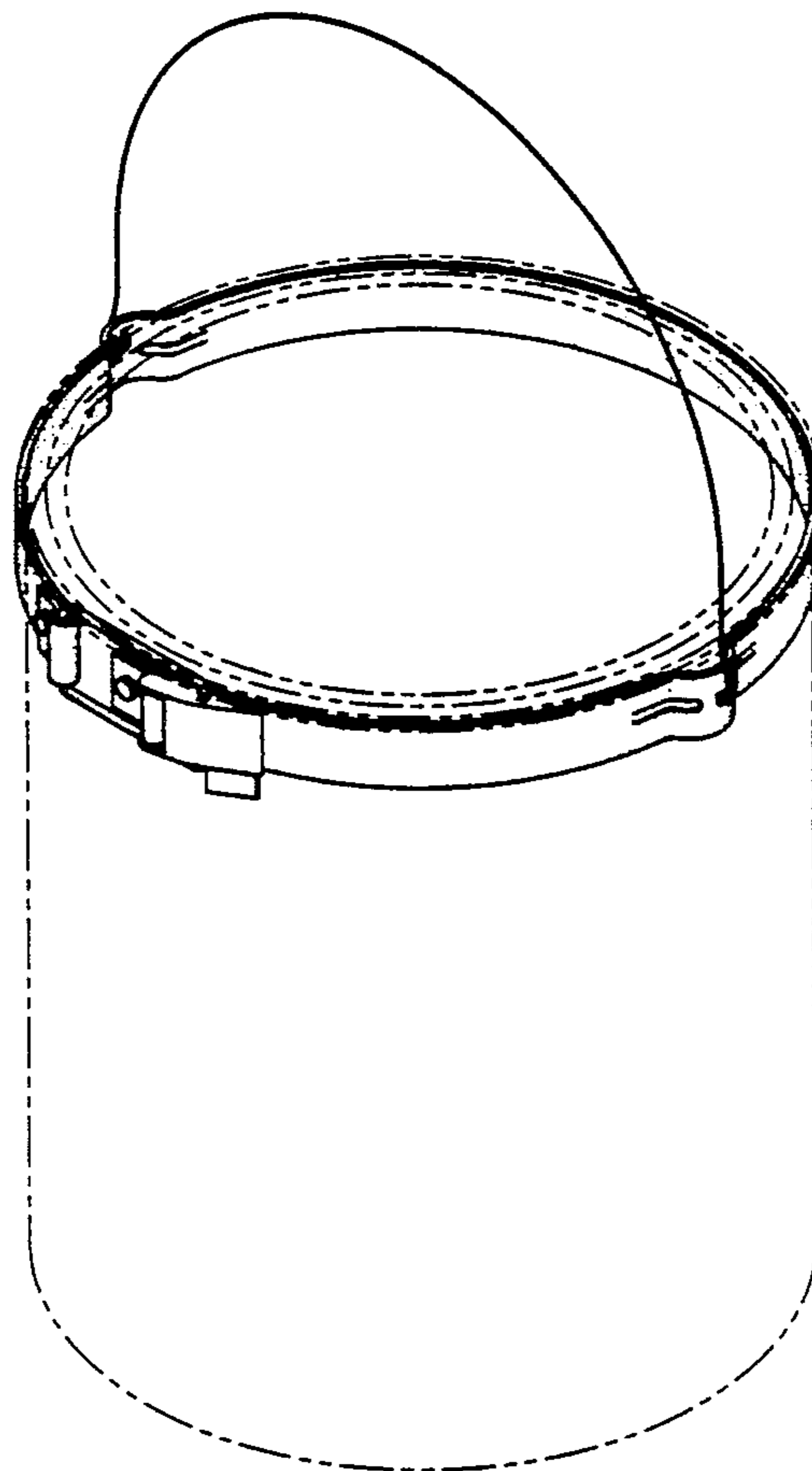


FIG. 1

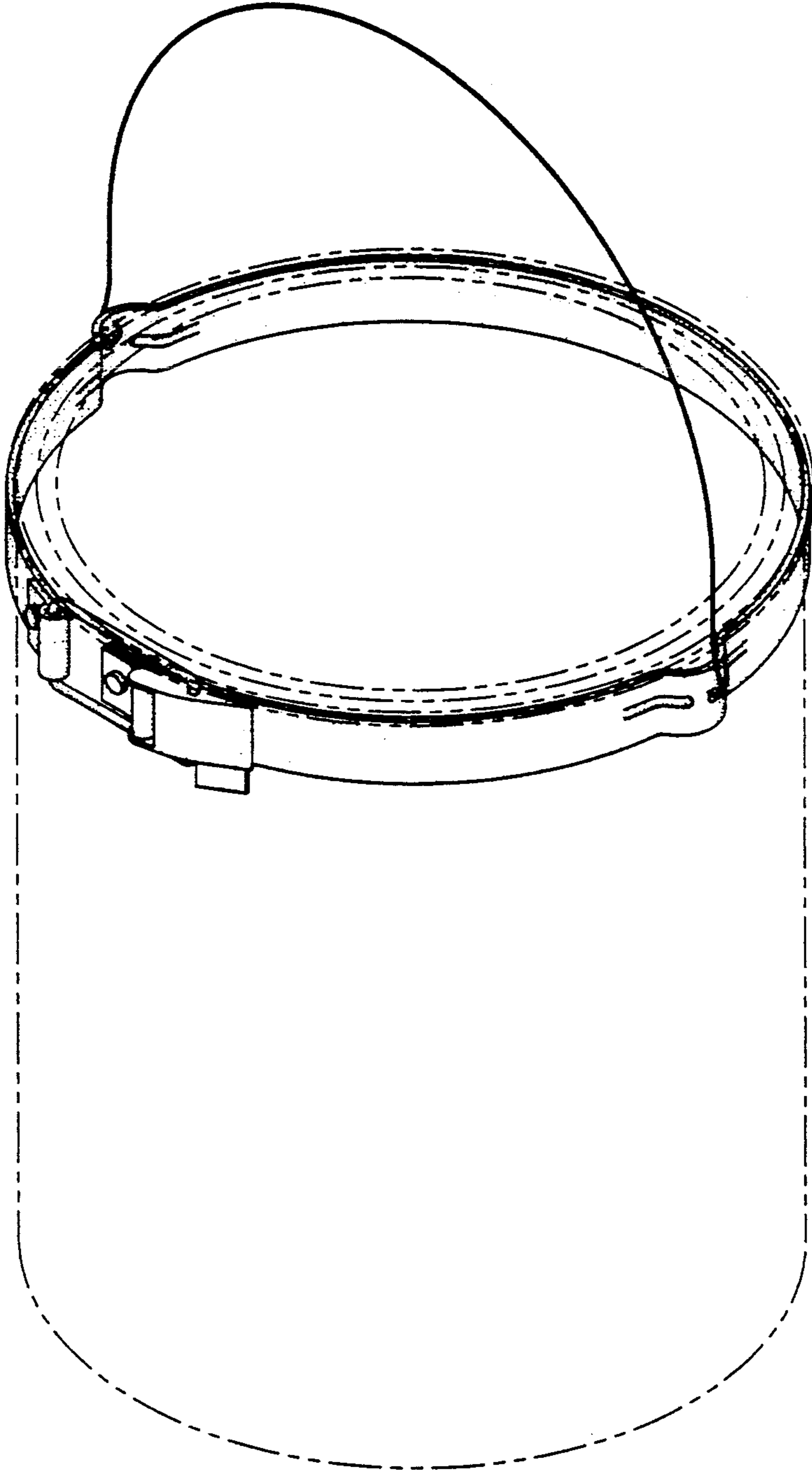


FIG. 3

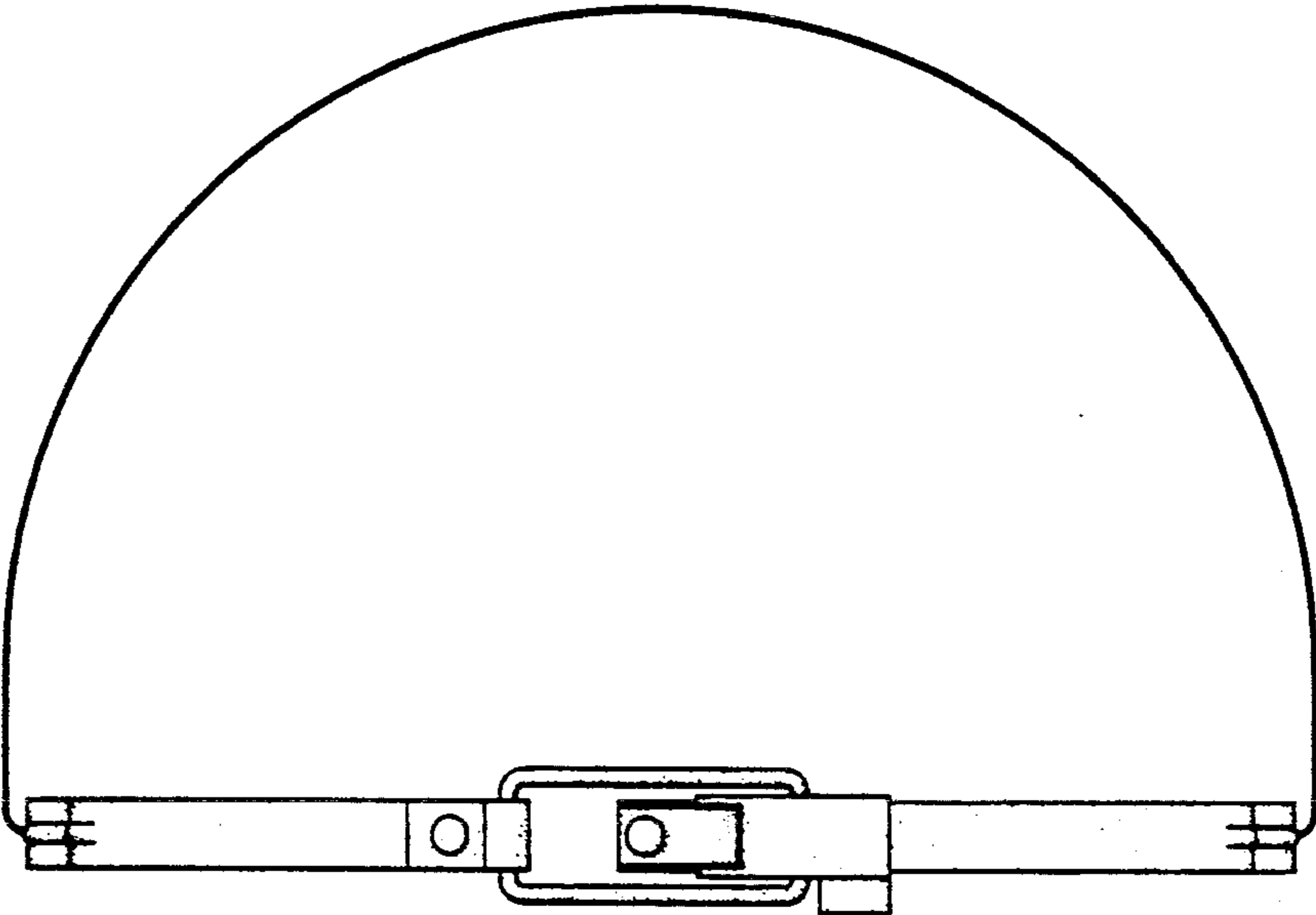


FIG. 4

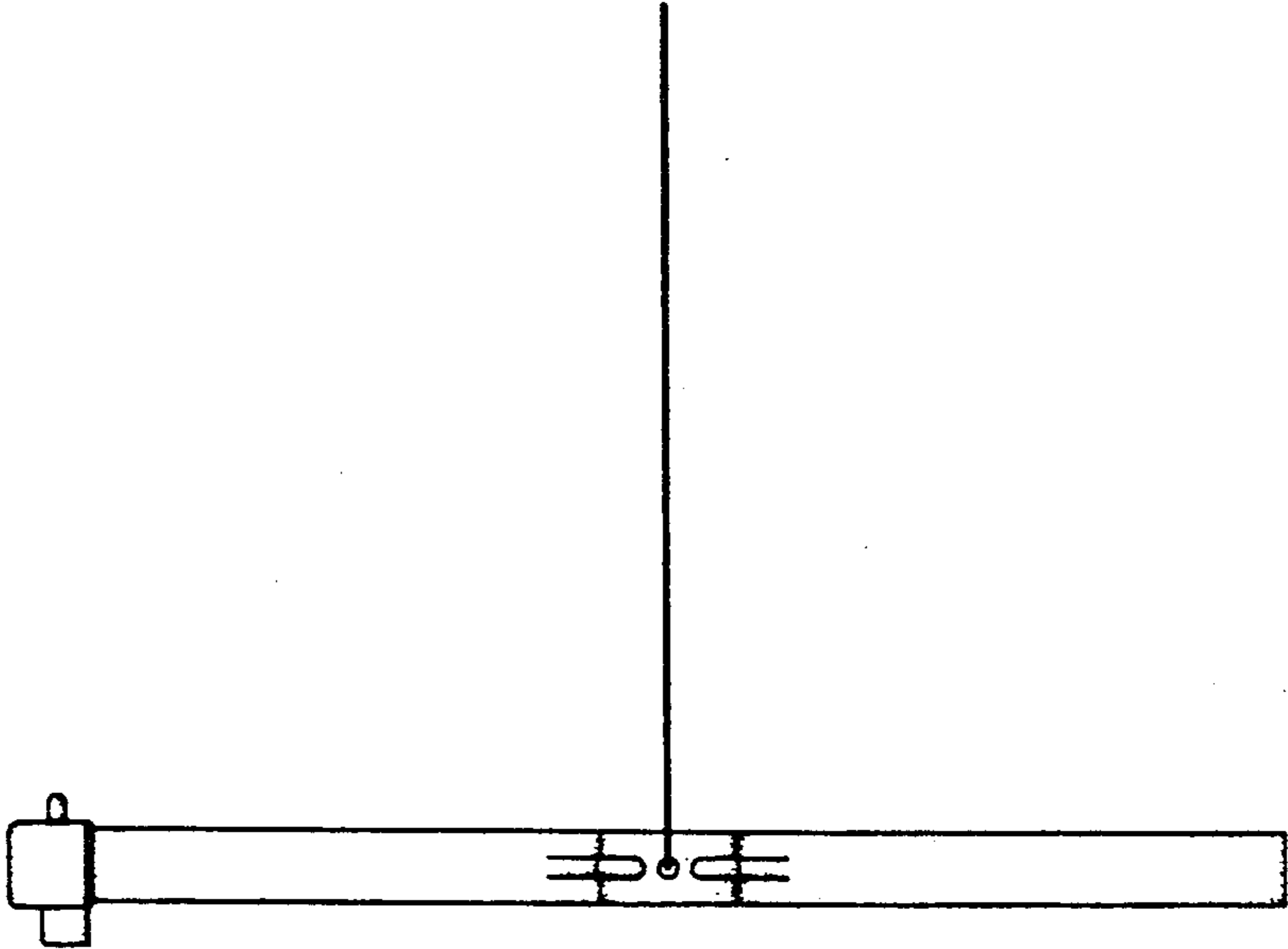


FIG. 2

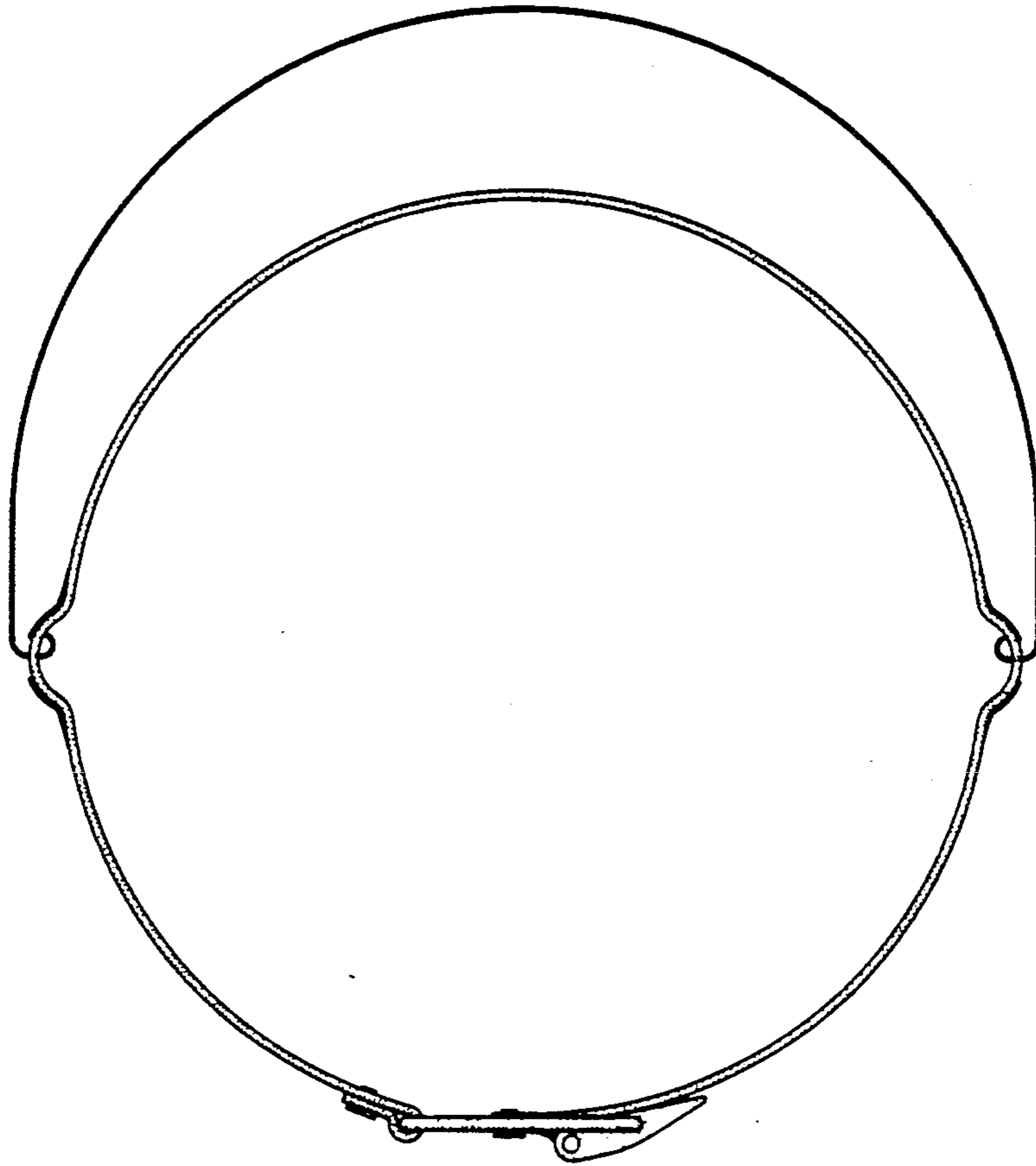


FIG. 5

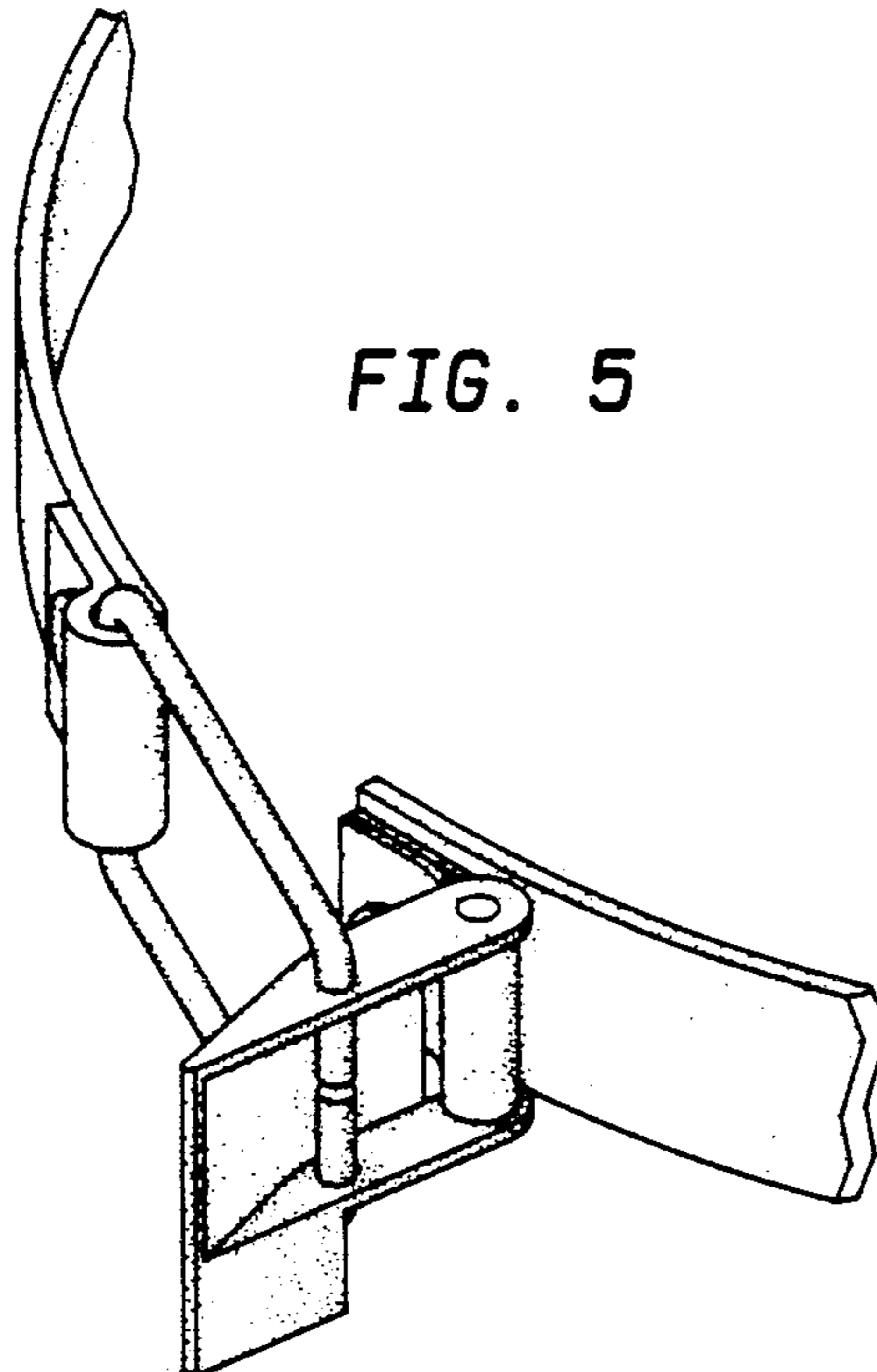


FIG. 6

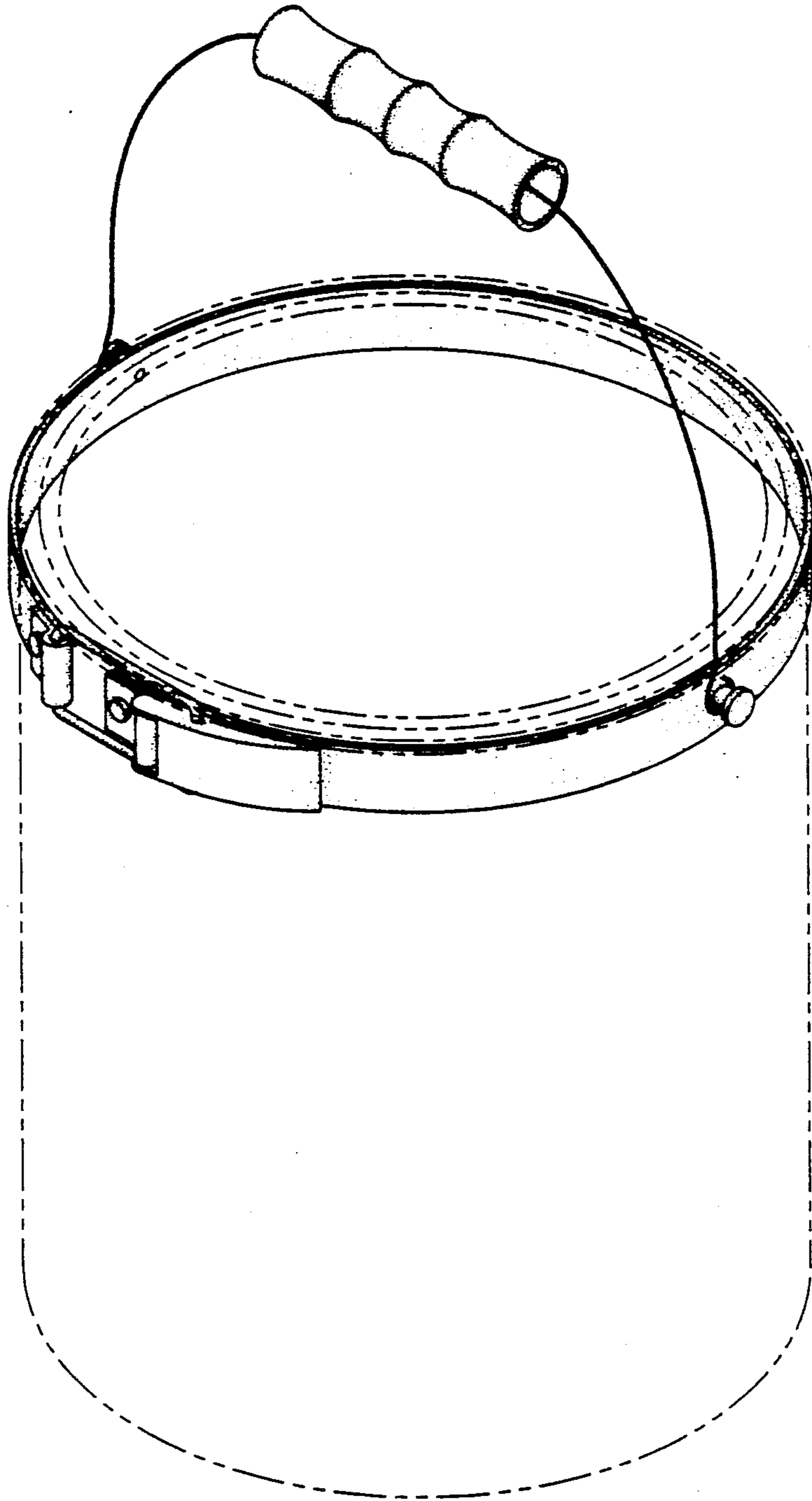


FIG. 7

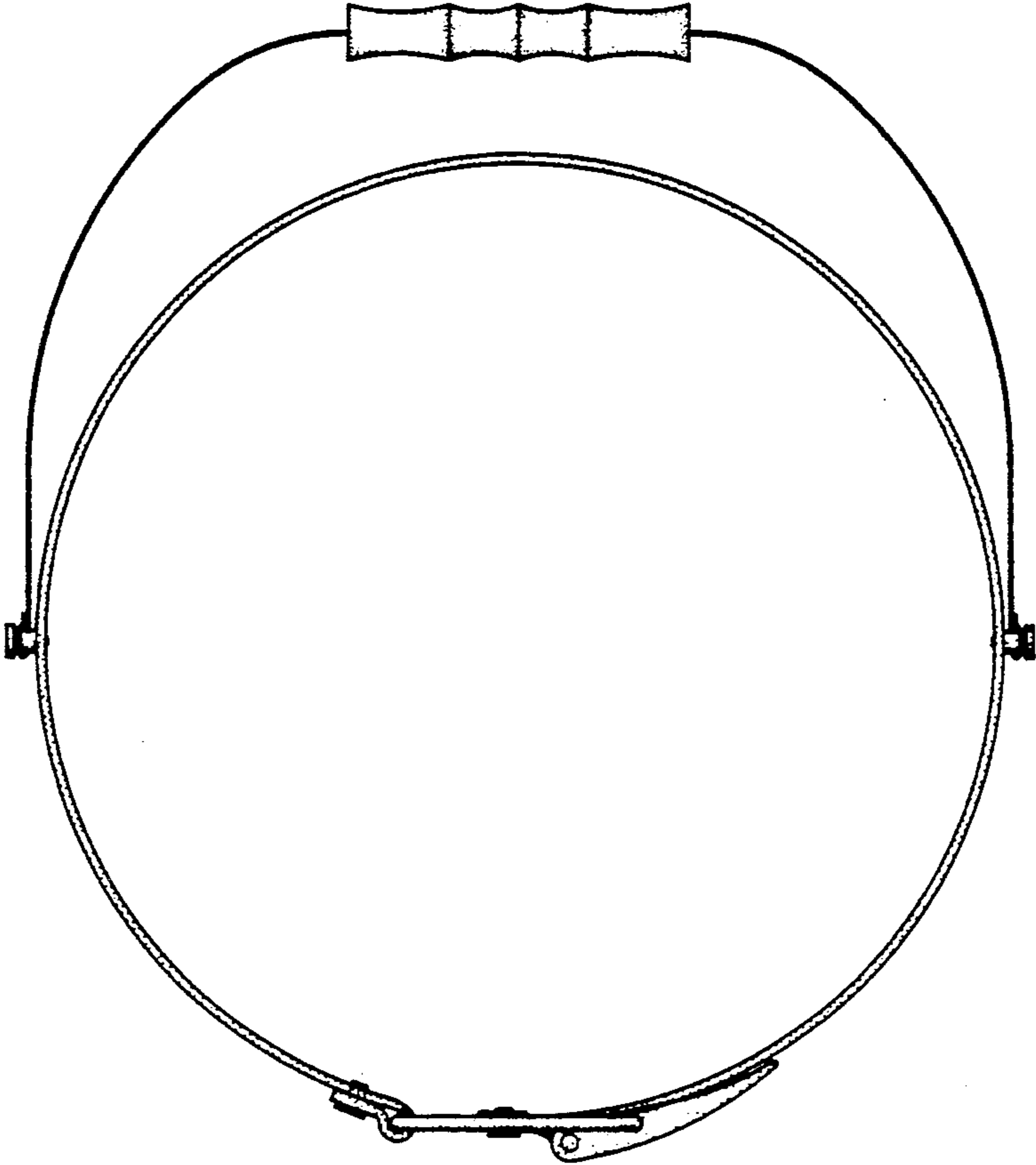


FIG. 10

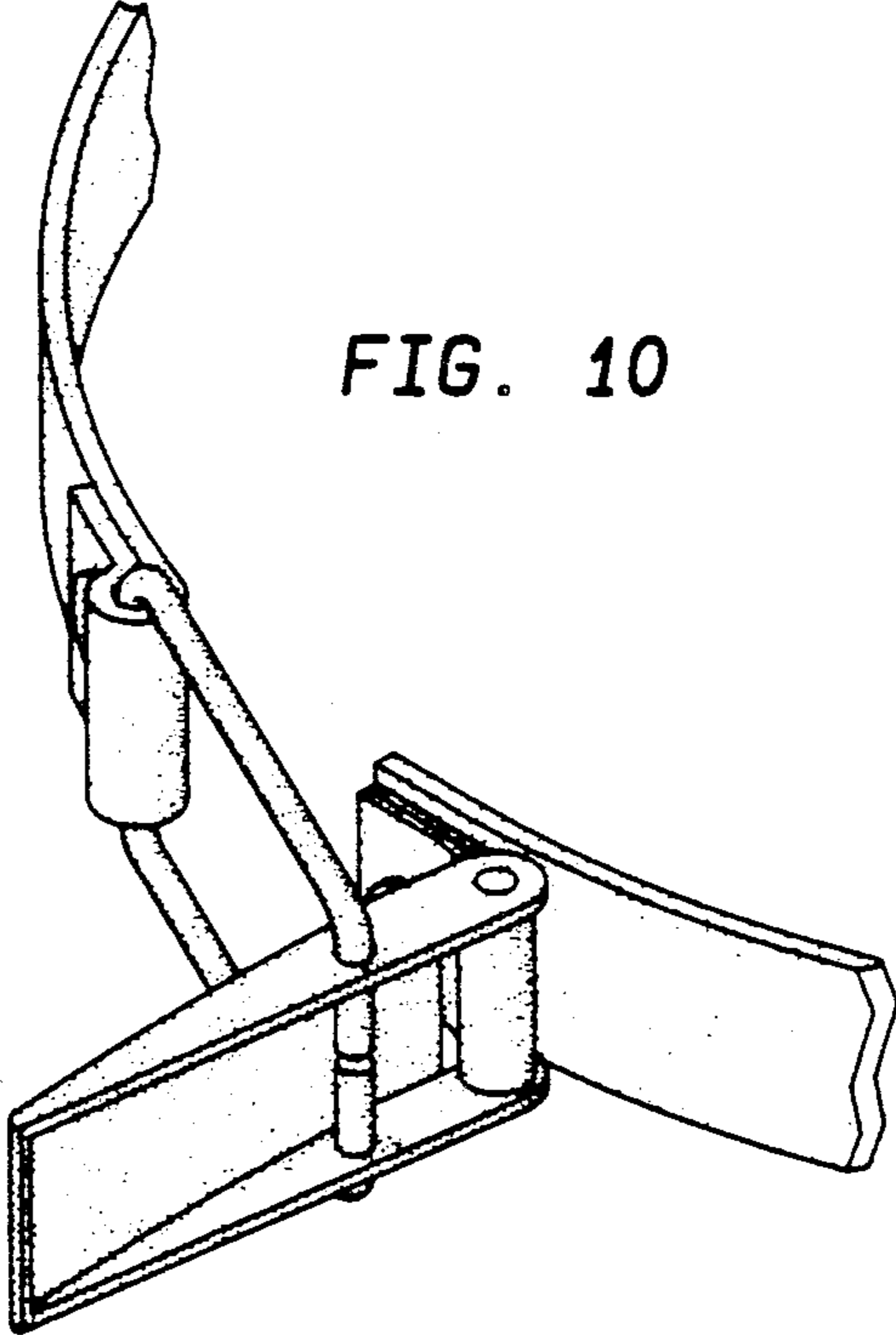


FIG. 8

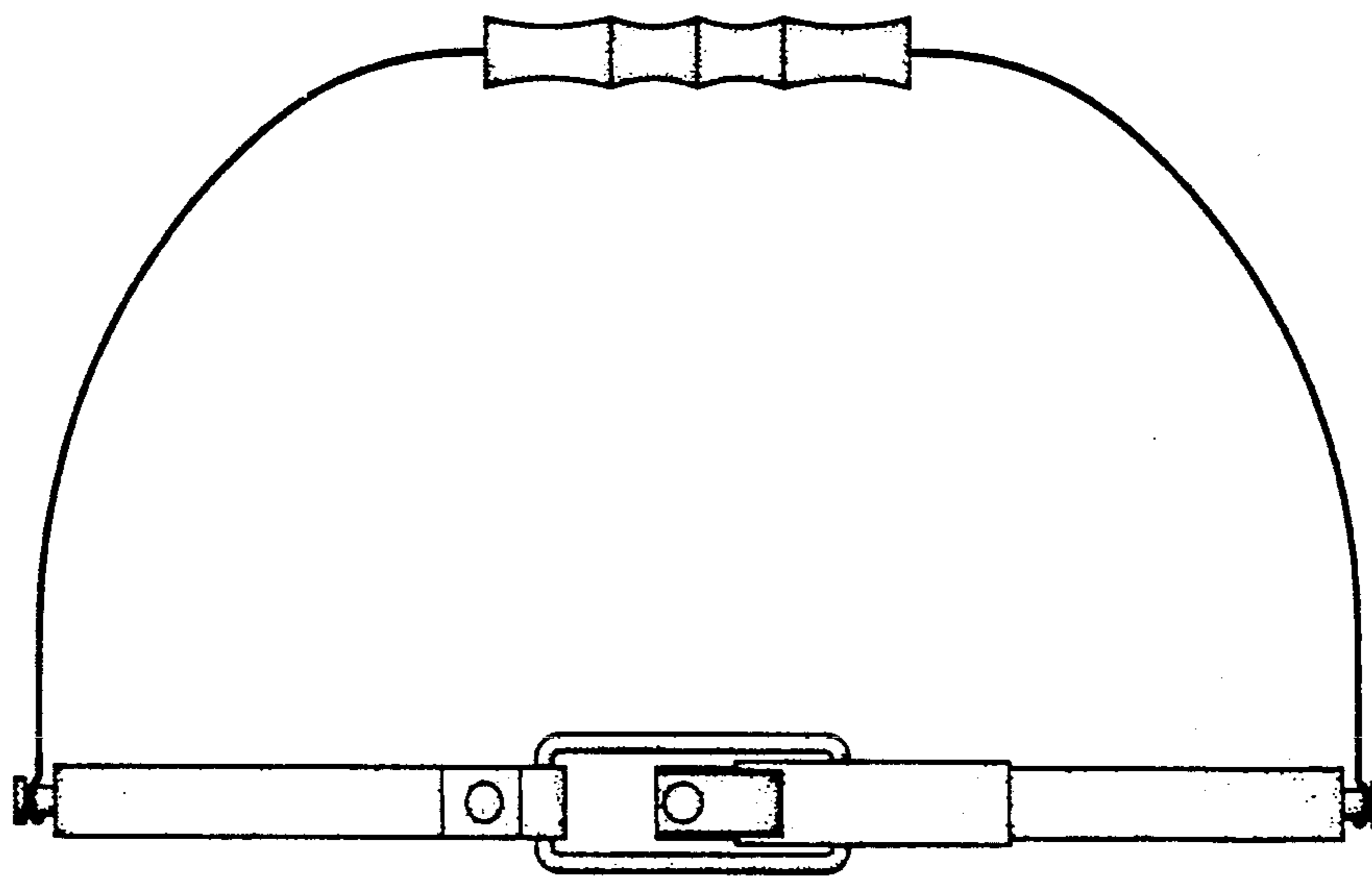


FIG. 9

