

[54] VACUUM CLEANER

[75] Inventors: Franz A. Stützer, Offenbach am Main; Bernd Köhler, Obertshausen, Fed. Rep. of Germany

[73] Assignee: Rowenta-Werke GmbH, Fed. Rep. of Germany

[*] Notice: The portion of the term of this patent subsequent to Dec. 10, 2005 has been disclaimed.

[**] Term: 14 Years

[21] Appl. No.: 452,954

[22] Filed: Dec. 19, 1989

[30] Foreign Application Priority Data

Jul. 12, 1989 [DE] Fed. Rep. of Germany..... M8904868

[52] U.S. Cl. D32/21

[58] Field of Search D32/21, 23-24, D32/31-34, 15-16; 15/320-321, 327 R, 327 F, 327 B, 327 C, 327 D, 327 E, 353

[56] References Cited

U.S. PATENT DOCUMENTS

- D. 243,944 1/1975 Zijlstra D32/21
- D. 289,213 4/1987 Perkins D32/24
- D. 292,833 11/1987 Busalt D32/24
- D. 296,944 7/1988 Yamamoto et al. D32/21
- D. 297,475 8/1988 Umehara et al. D32/21
- D. 297,675 9/1988 Umehara et al. D32/21

FOREIGN PATENT DOCUMENTS

- 5045 8/1979 Fed. Rep. of Germany .
- 5588 1/1983 Fed. Rep. of Germany .
- 5155 5/1983 Fed. Rep. of Germany .
- 1432 10/1983 Fed. Rep. of Germany .
- 1273 12/1983 Fed. Rep. of Germany .
- 5267 3/1984 Fed. Rep. of Germany .
- 5795 7/1984 Fed. Rep. of Germany .
- 16150 4/1985 Fed. Rep. of Germany .

OTHER PUBLICATIONS

N. V. Philips Product Catalog for 1990/91, p. 4.
N. V. Philips Catalog, 1988, pp. 6-9.

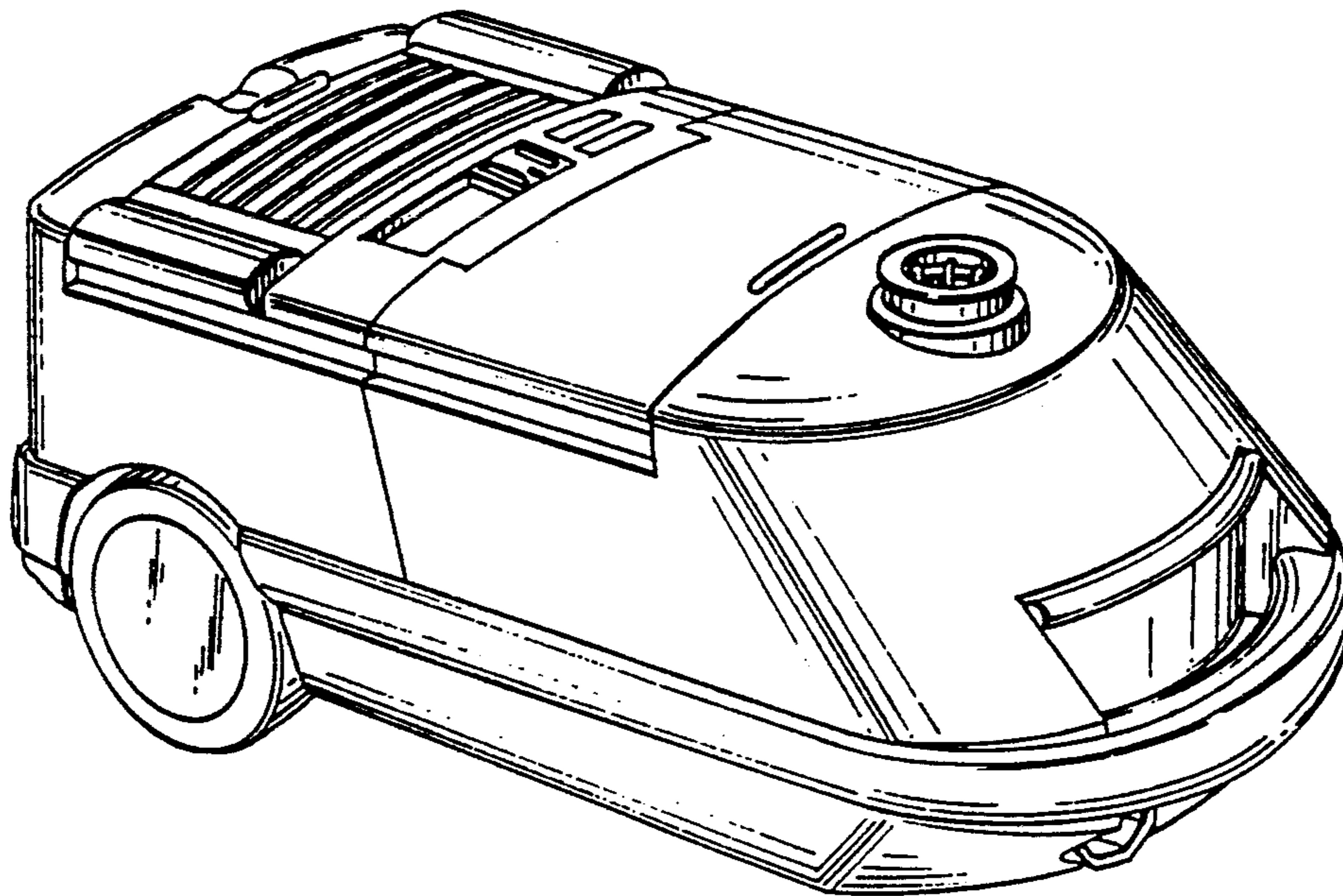
Primary Examiner—A. Hugo Word
Assistant Examiner—Doris V. Coles
Attorney, Agent, or Firm—Toren, McGeady & Associates

[57] CLAIM

The ornamental design for a vacuum cleaner, as shown.

DESCRIPTION

FIG. 1 is a front perspective view of a vacuum cleaner, showing our new design;
FIG. 2 is a rear perspective view thereof;
FIG. 3 is a right side elevational view thereof;
FIG. 4 is a left side elevational view thereof;
FIG. 5 is a front elevational view thereof;
FIG. 6 is a rear elevational view thereof;
FIG. 7 is a top plan view thereof; and
FIG. 8 is a bottom plan view thereof.



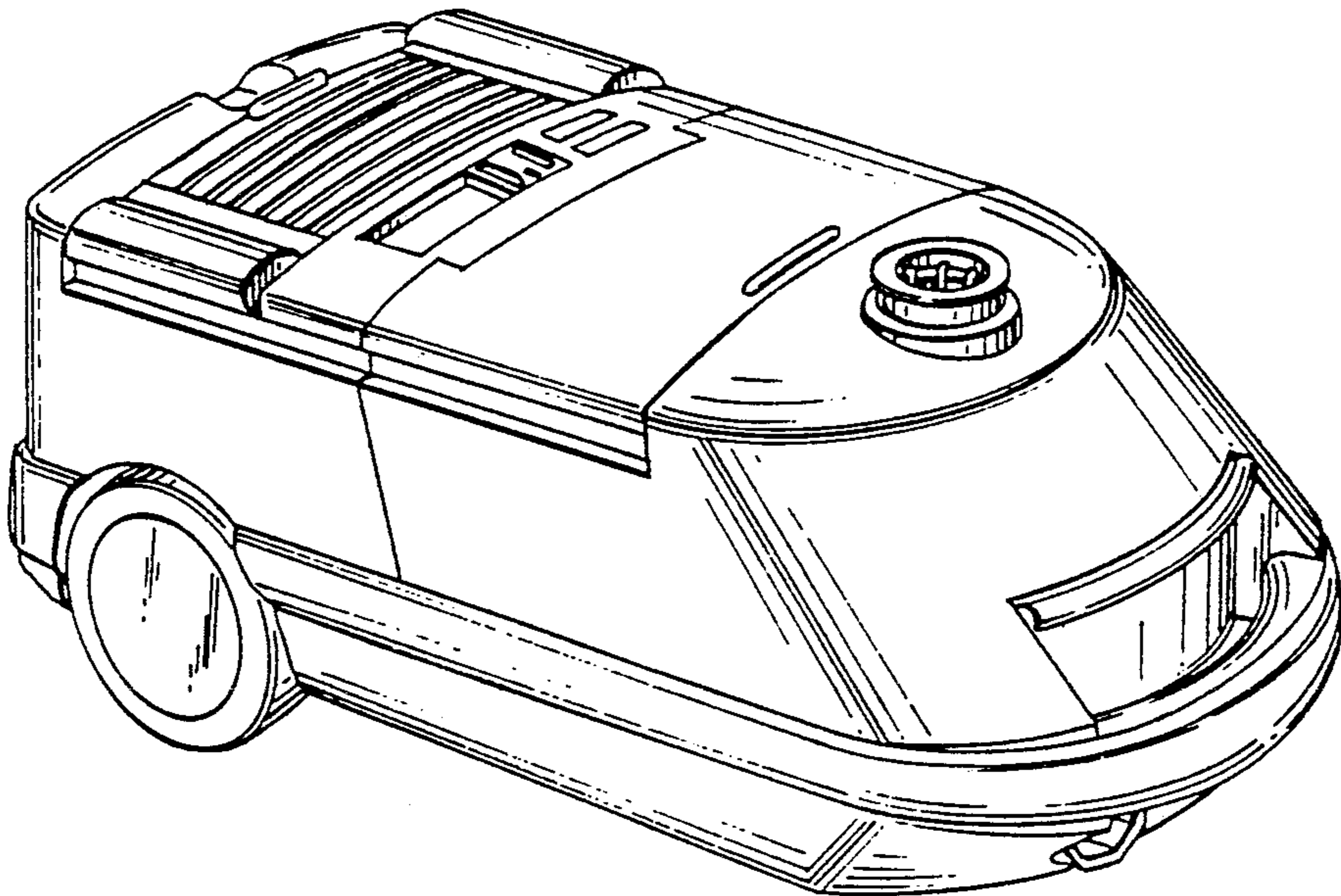


FIG. 1

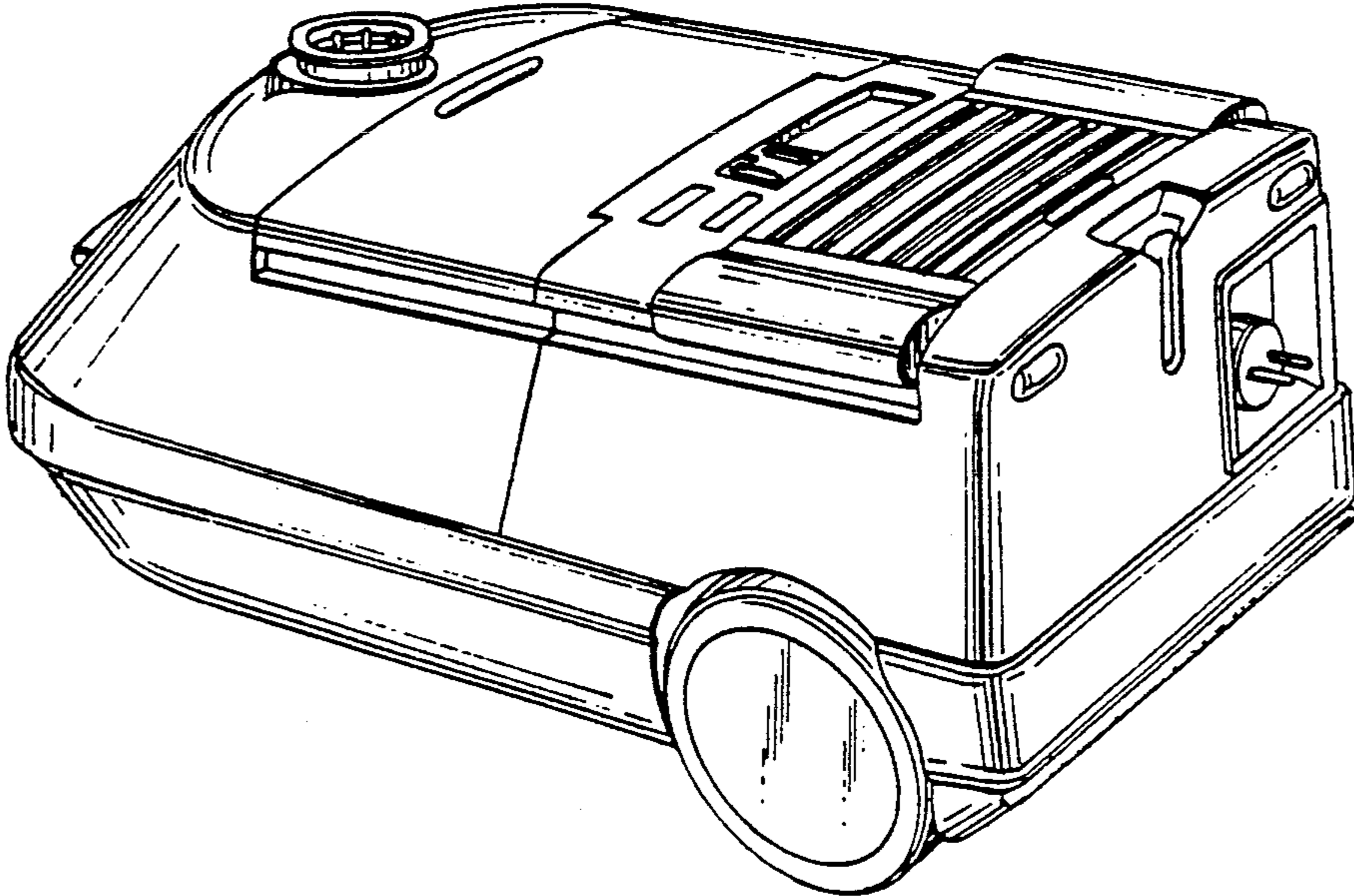


FIG. 2

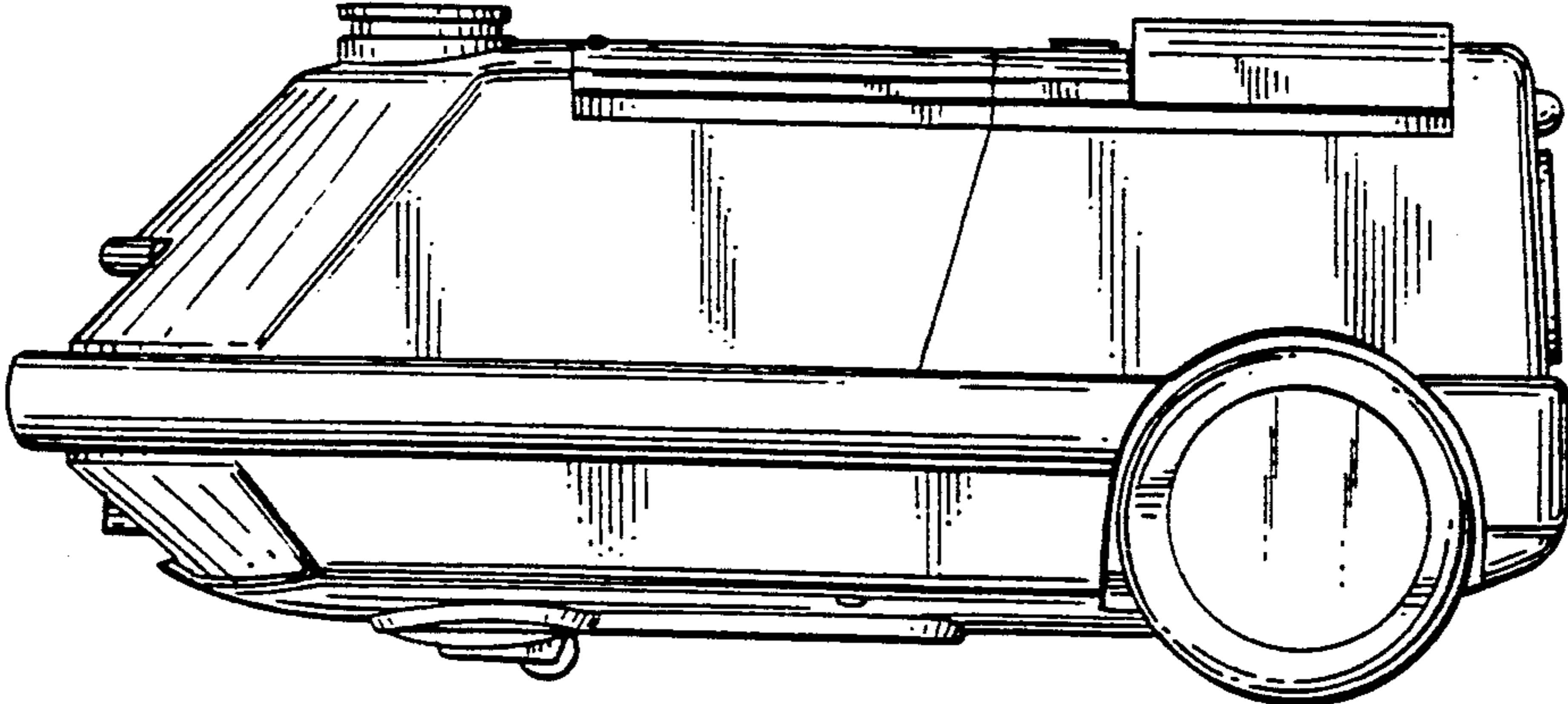


FIG. 3

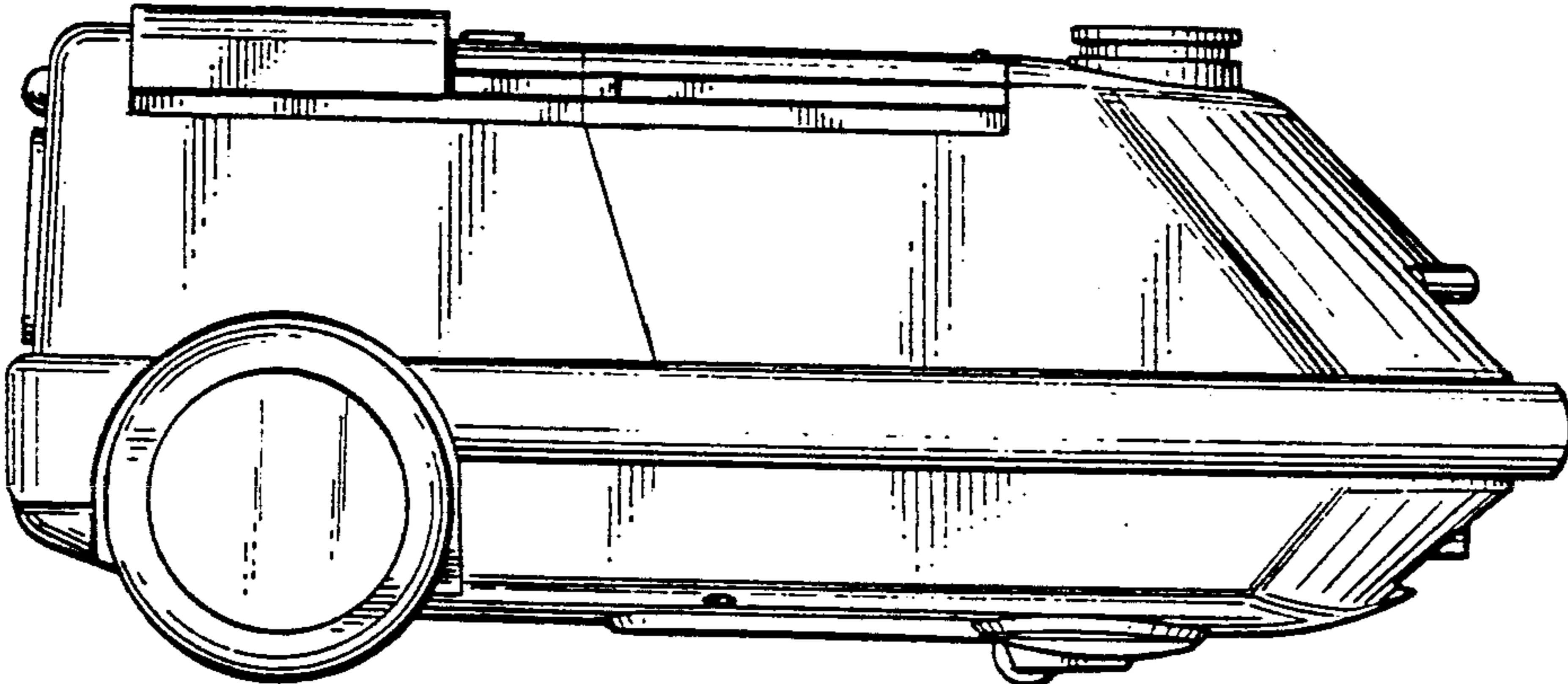


FIG. 4

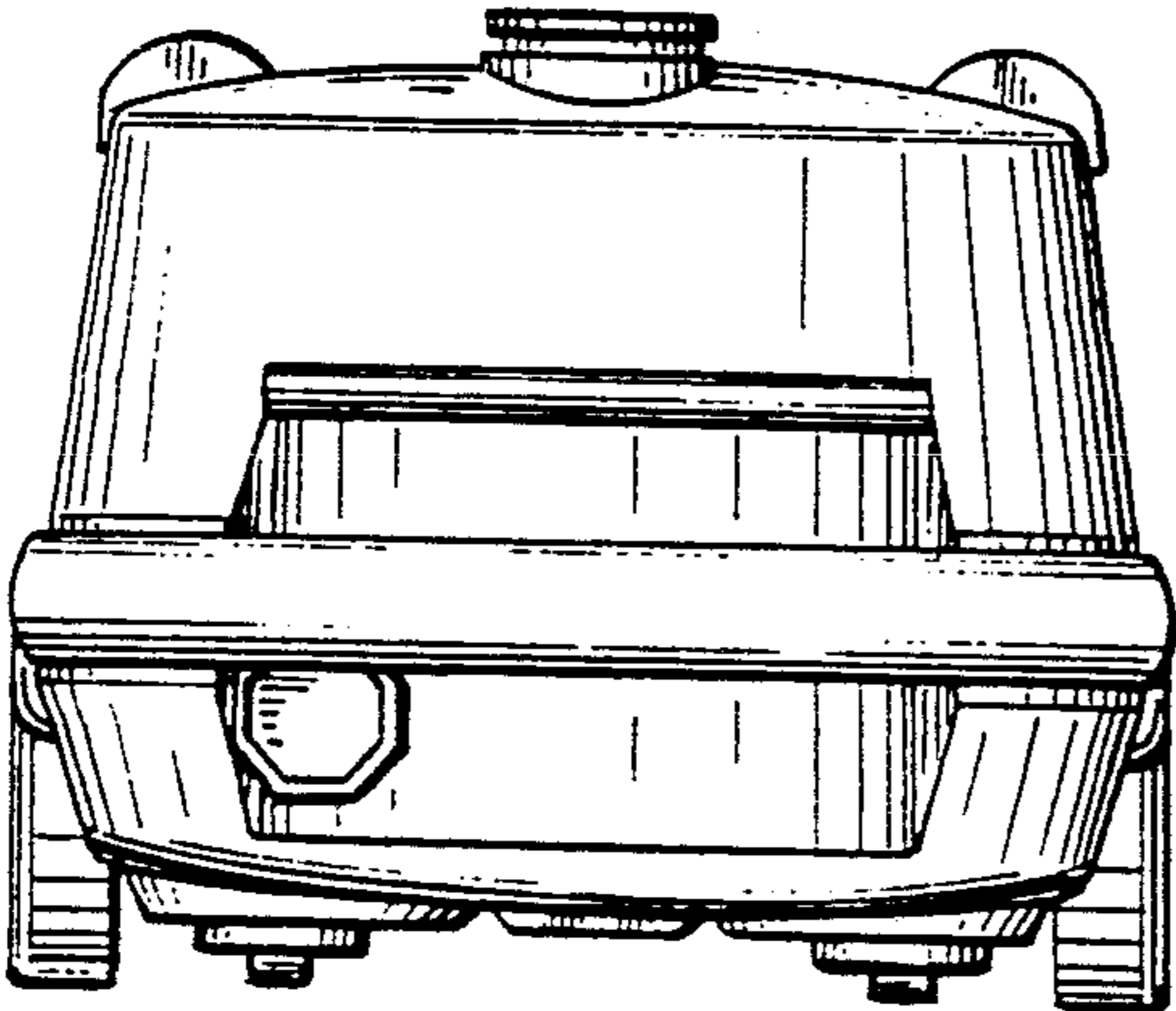


FIG. 5

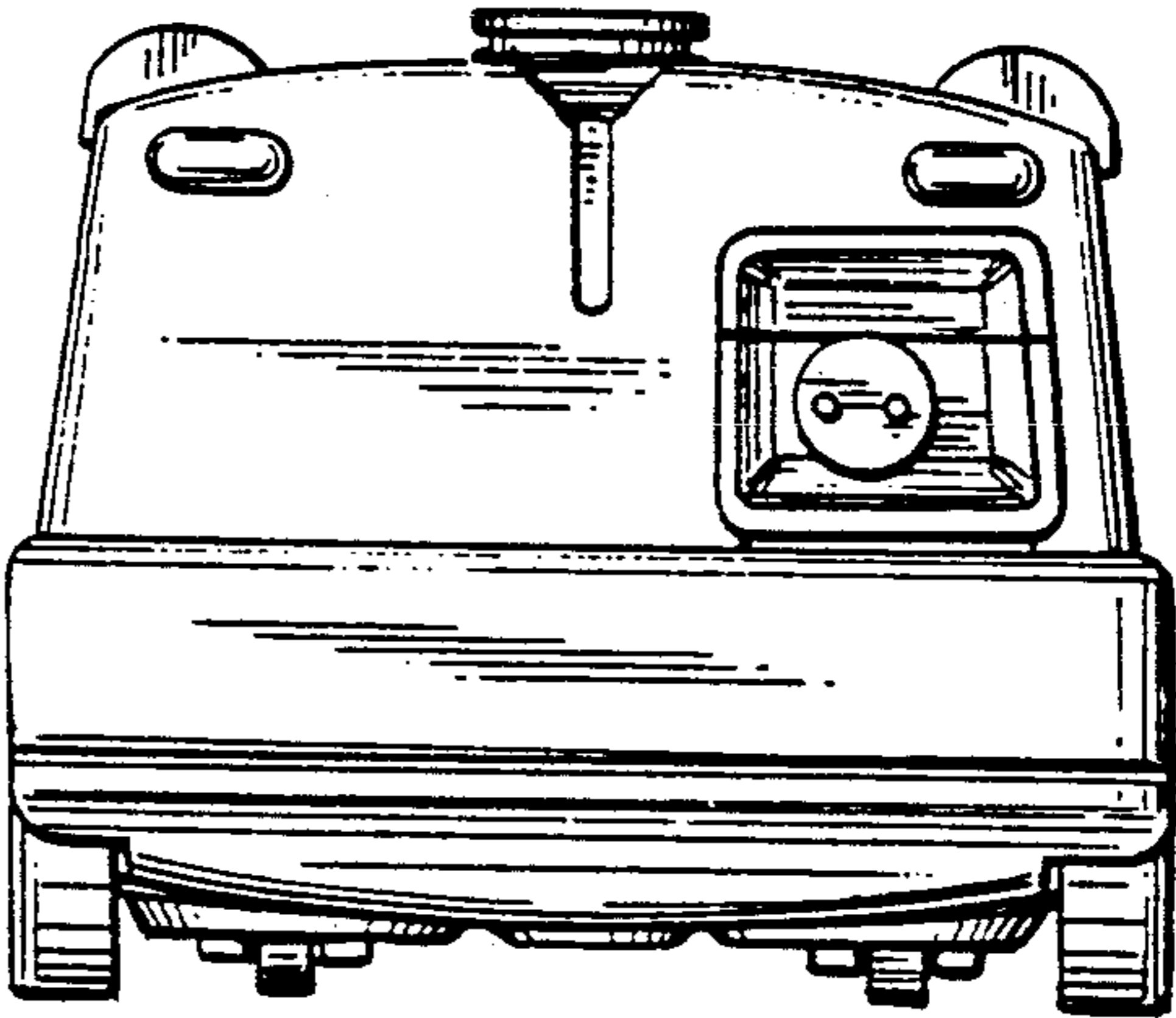


FIG. 6

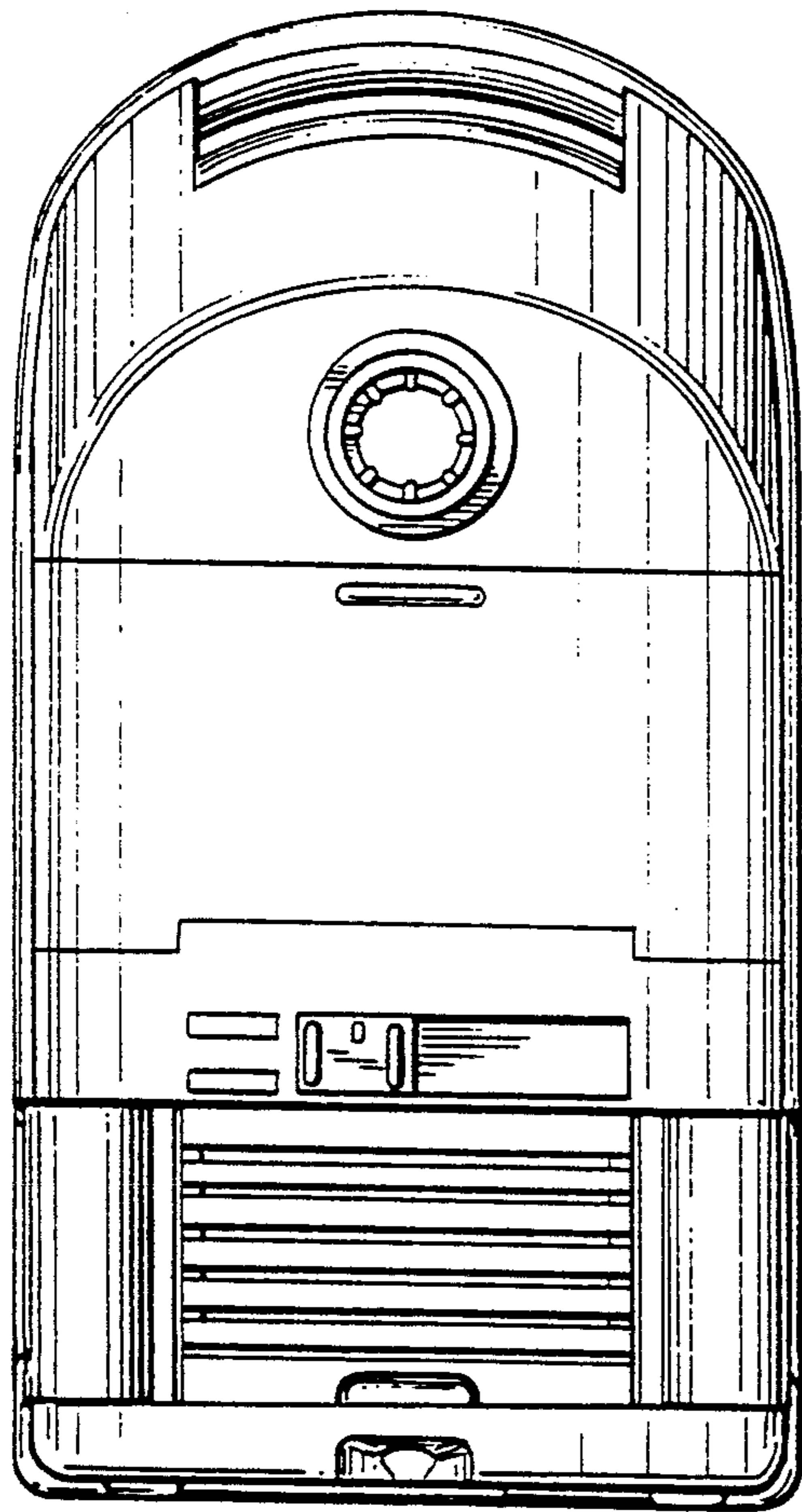


FIG.7

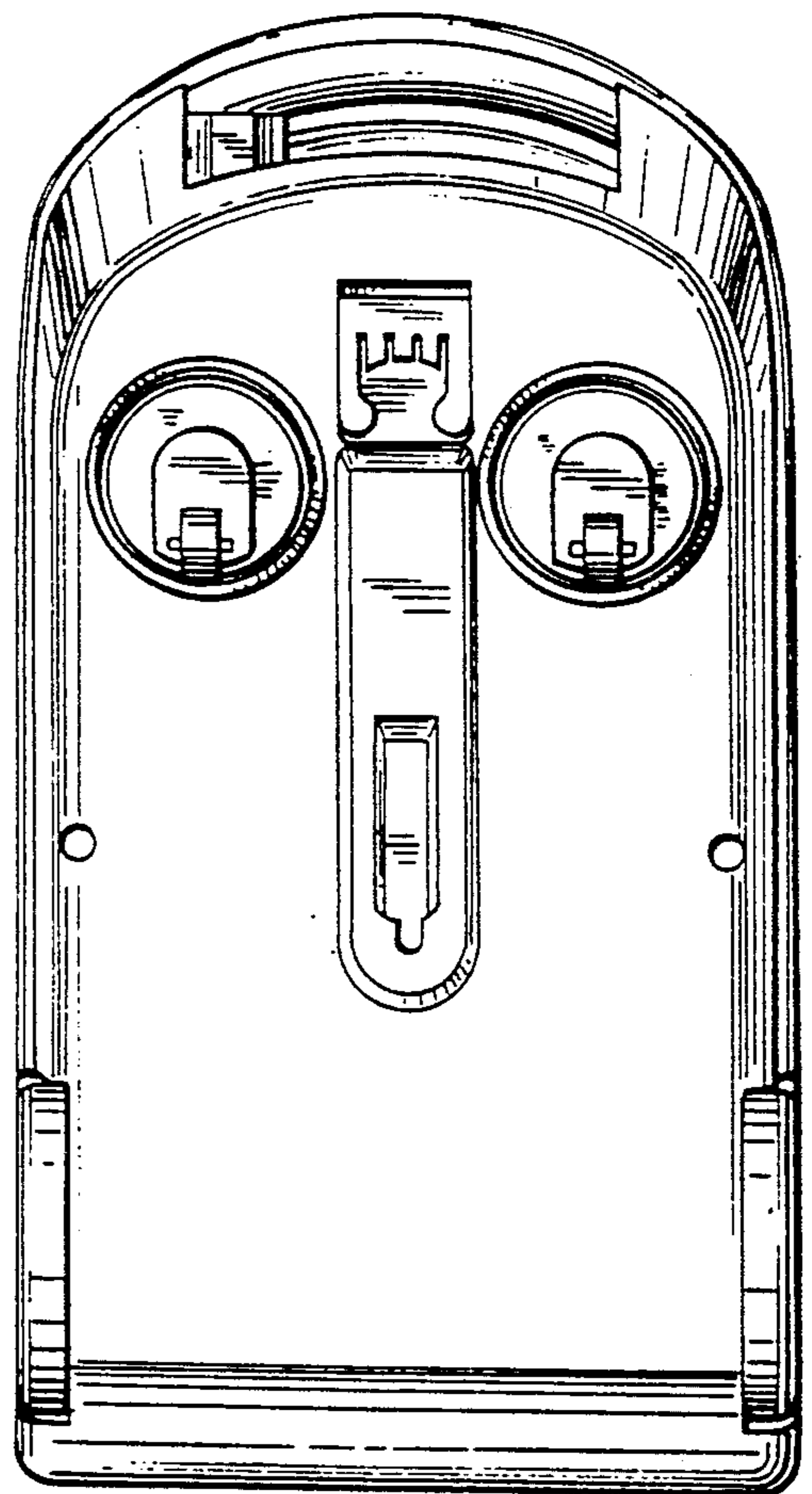


FIG.8