

[54] **FOUR WELL ANIMAL DRINKER**
 [76] **Inventor: Kenneth L. Schafer, Rte. 3, Box 73, LeSueur, Minn. 56058**
 [**] **Term: 14 Years**
 [21] **Appl. No.: 394,854**
 [22] **Filed: Aug. 17, 1989**
 [52] **U.S. Cl. D30/132; D30/131**
 [58] **Field of Search D30/121-133; 119/18, 51.5, 52.1, 61, 72, 72.5, 73, 75, 77, 78; 137/445, 451**

4,395,974 8/1983 Schafer et al. 119/73
 4,708,091 11/1987 Schafer 119/73
 4,744,332 5/1988 Ahrens 119/73

FOREIGN PATENT DOCUMENTS

1181481 11/1964 Fed. Rep. of Germany 119/73

OTHER PUBLICATIONS

Fibernetics brochure—Hog Drinkers; Mar. 1982; Hog Drinker I and II.

Primary Examiner—A. Hugo Word
Assistant Examiner—Cathy Anne MacCormac
Attorney, Agent, or Firm—Burd, Bartz & Gutenkauf

[56] **References Cited**

U.S. PATENT DOCUMENTS

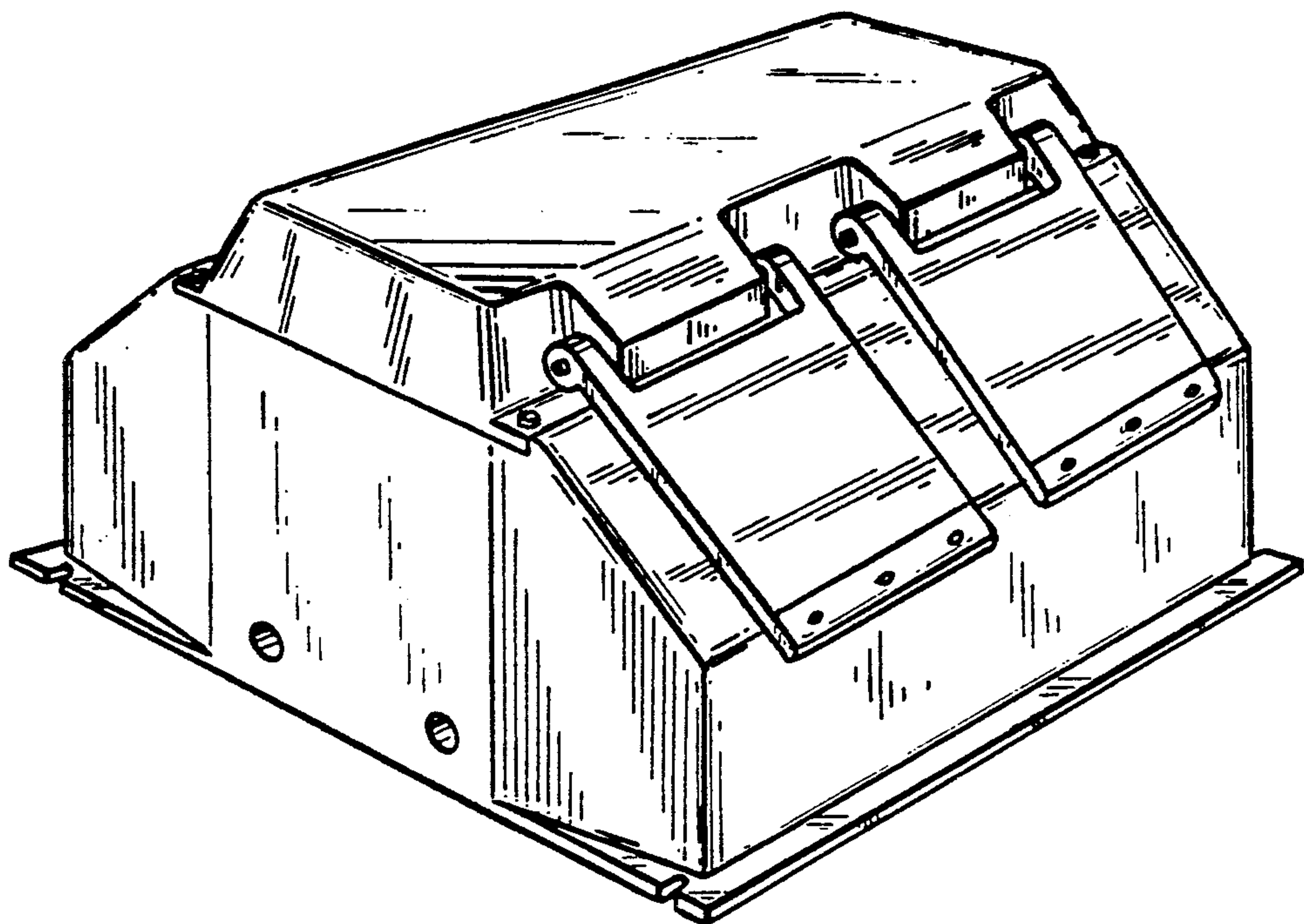
D. 142,793	11/1945	Running et al.	119/52.1
D. 241,041	8/1976	Bohlmann	D30/131
D. 246,121	10/1977	Hedstrom	D30/131
232,077	9/1880	Shaw et al.	119/78
669,415	3/1901	Jacobs	119/73
1,086,785	2/1914	Parkins	119/78
1,465,763	8/1923	Heacock	119/52.1
1,684,197	9/1928	Petsch	119/73
1,835,352	12/1931	Stangl	119/73
2,234,041	3/1941	Chandler	D30/131
2,629,040	2/1953	Smith	119/73
2,933,063	4/1960	Geerlings	D30/131
3,057,330	10/1962	Leach	119/52.1
3,441,004	4/1969	Henke et al.	119/72
3,745,977	7/1973	Martin	119/75
3,835,882	9/1974	Barker et al.	137/445
3,942,478	3/1976	Lane	D30/122
4,003,340	1/1977	Kuzara et al.	119/73
4,100,885	7/1978	Kapplinger	119/73
4,154,356	5/1979	Schieve	D30/131
4,343,264	8/1982	Schafer et al.	119/73

[57] **CLAIM**

The ornamental design for a four well animal drinker, as shown and described.

DESCRIPTION

FIG. 1 is a perspective view of a four well animal drinker showing my new design; FIG. 2 is a top plan view thereof; FIG. 3 is a front elevational view thereof; FIG. 4 is a rear elevational view thereof; FIG. 5 is an end elevational view thereof, the opposite end being a mirror image of the end shown; FIG. 6 is a bottom plan view thereof. FIG. 7 is a perspective view of a second embodiment of the design shown in FIG. 1; FIG. 8 is a top plan view of FIG. 7; FIG. 9 is a front elevational view of FIG. 7; FIG. 10 is a rear elevational view of FIG. 7; FIG. 11 is an end elevational view of FIG. 7, the opposite end being a mirror image of the end shown; and FIG. 12 is a bottom plan view of FIG. 7.



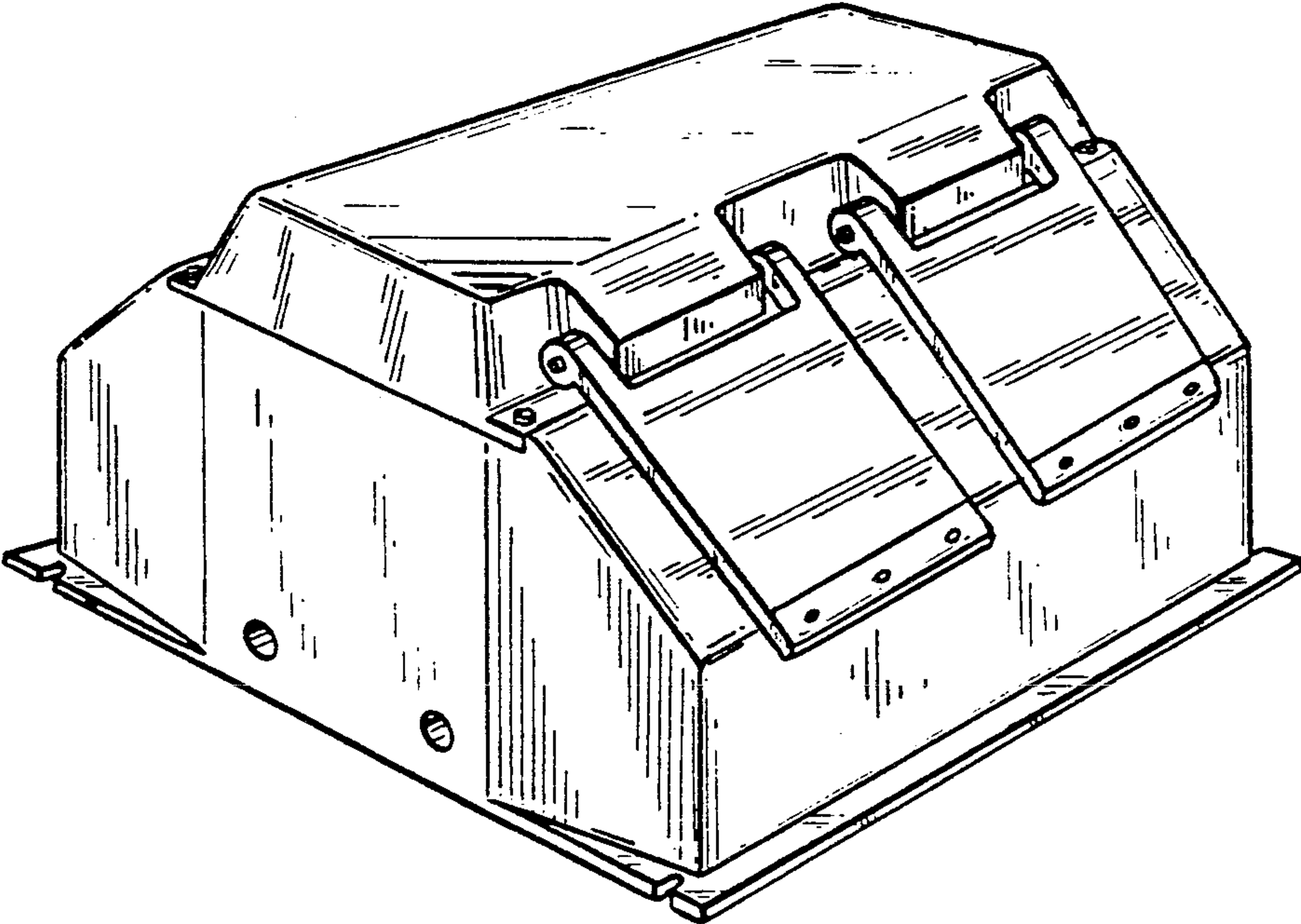


FIG. 1

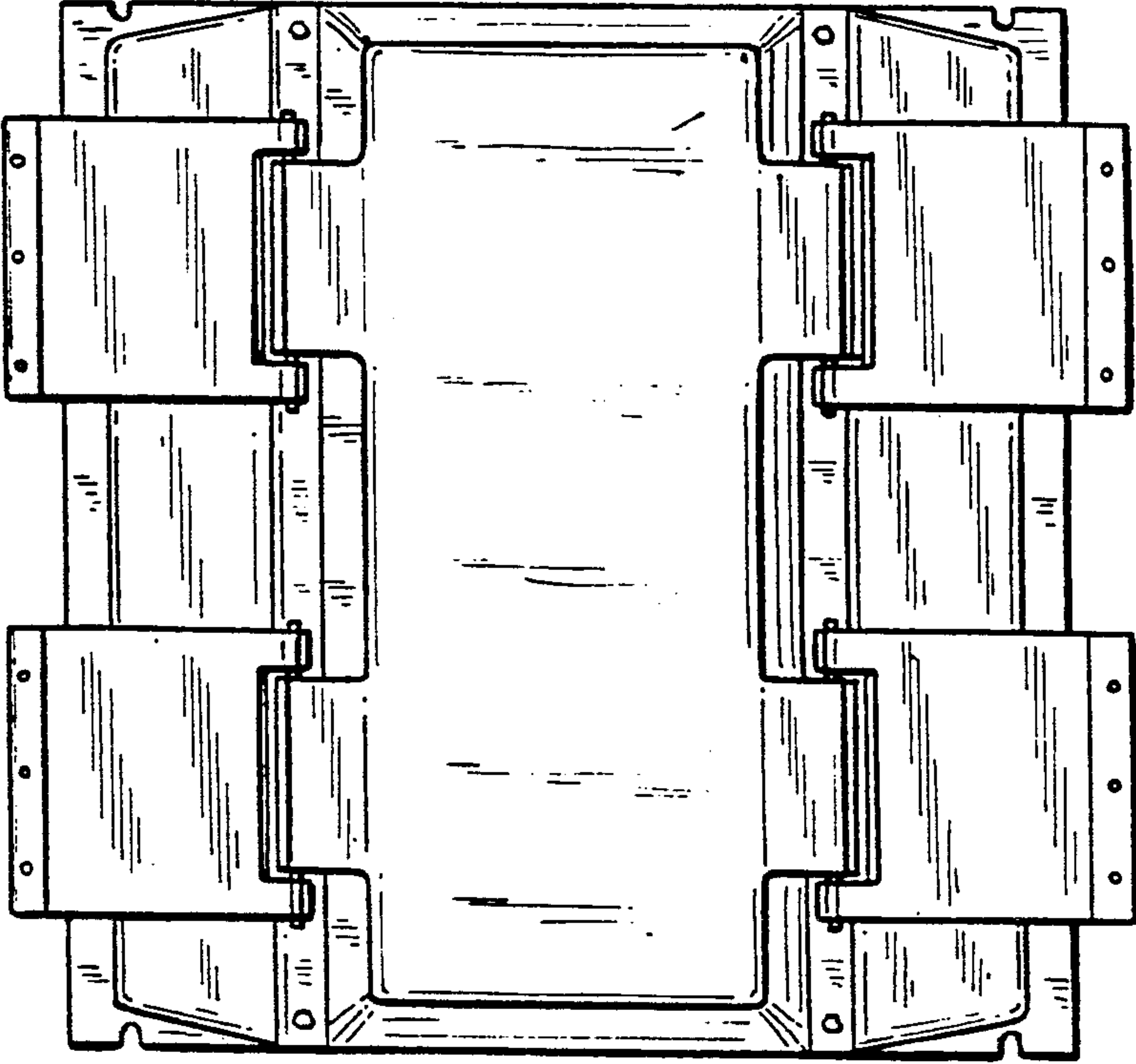


FIG. 2

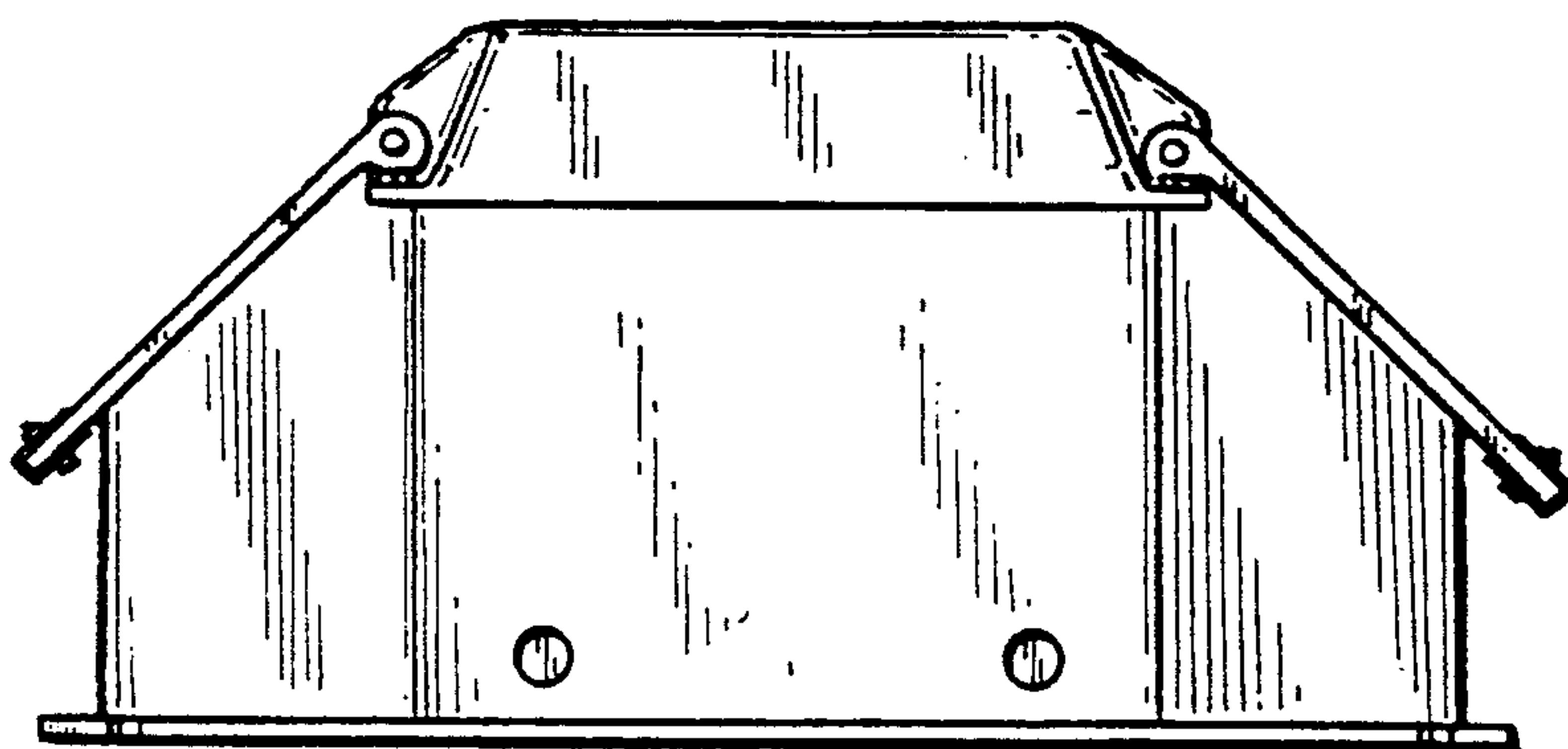


FIG. 3

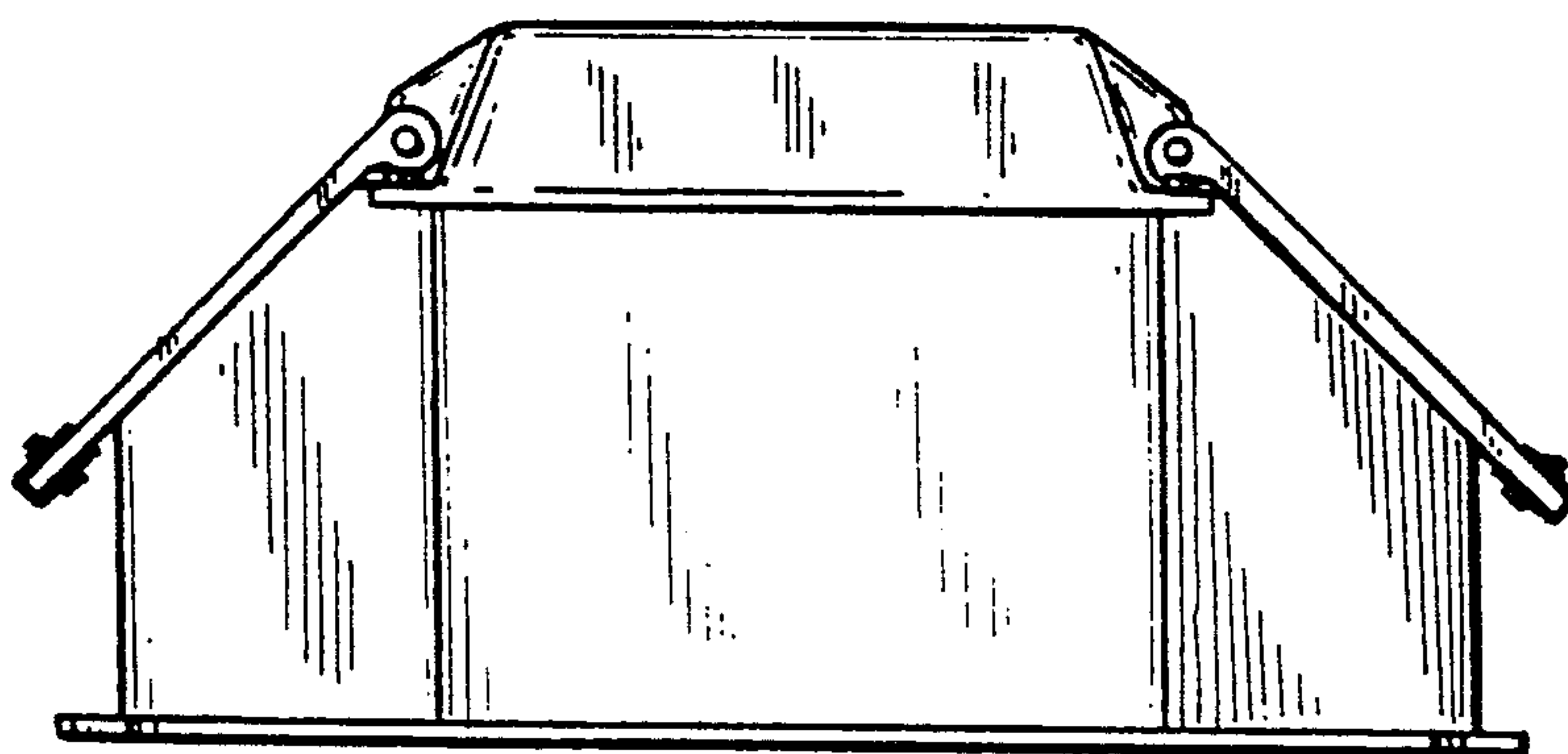


FIG. 4

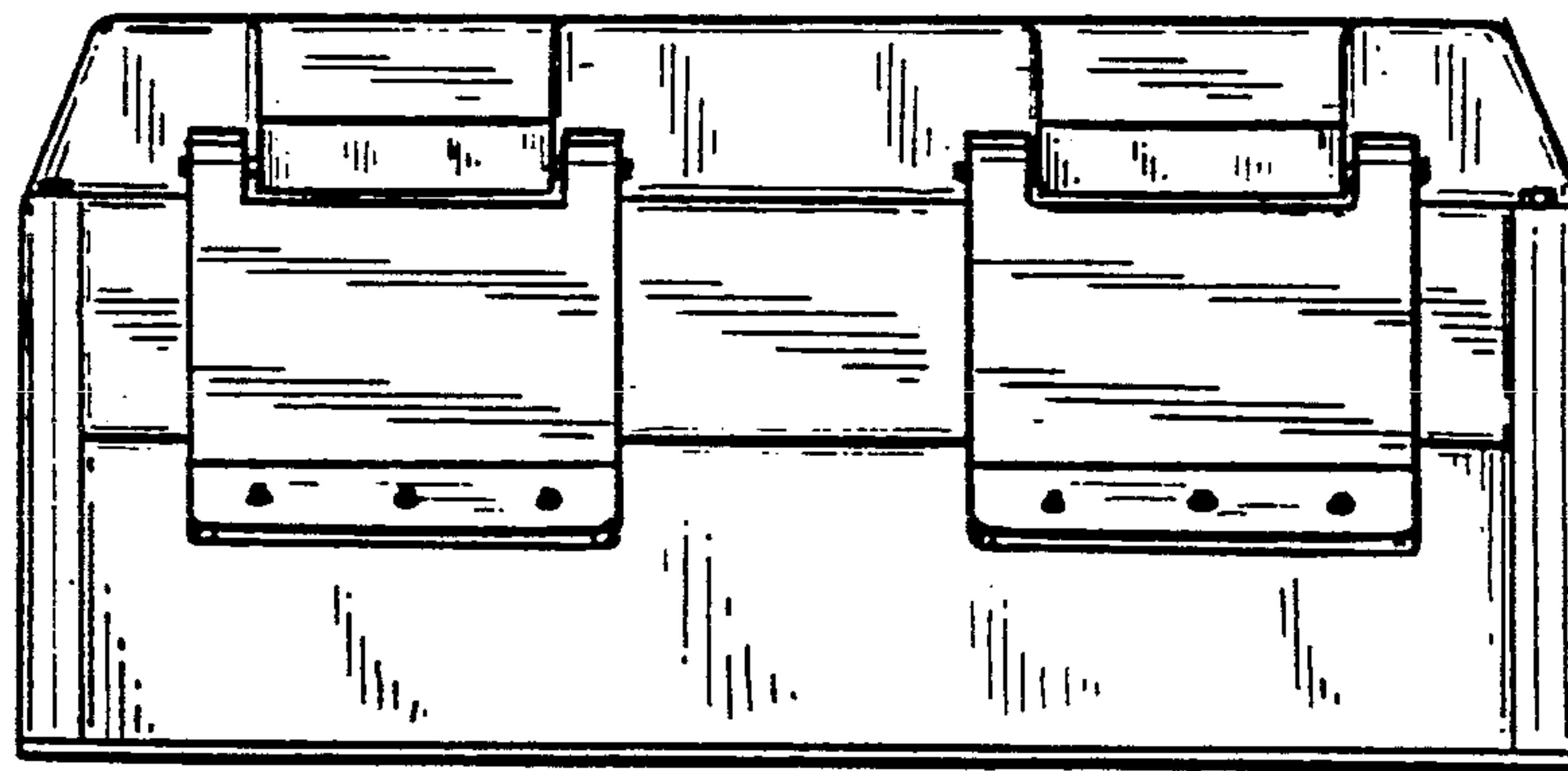


FIG. 5

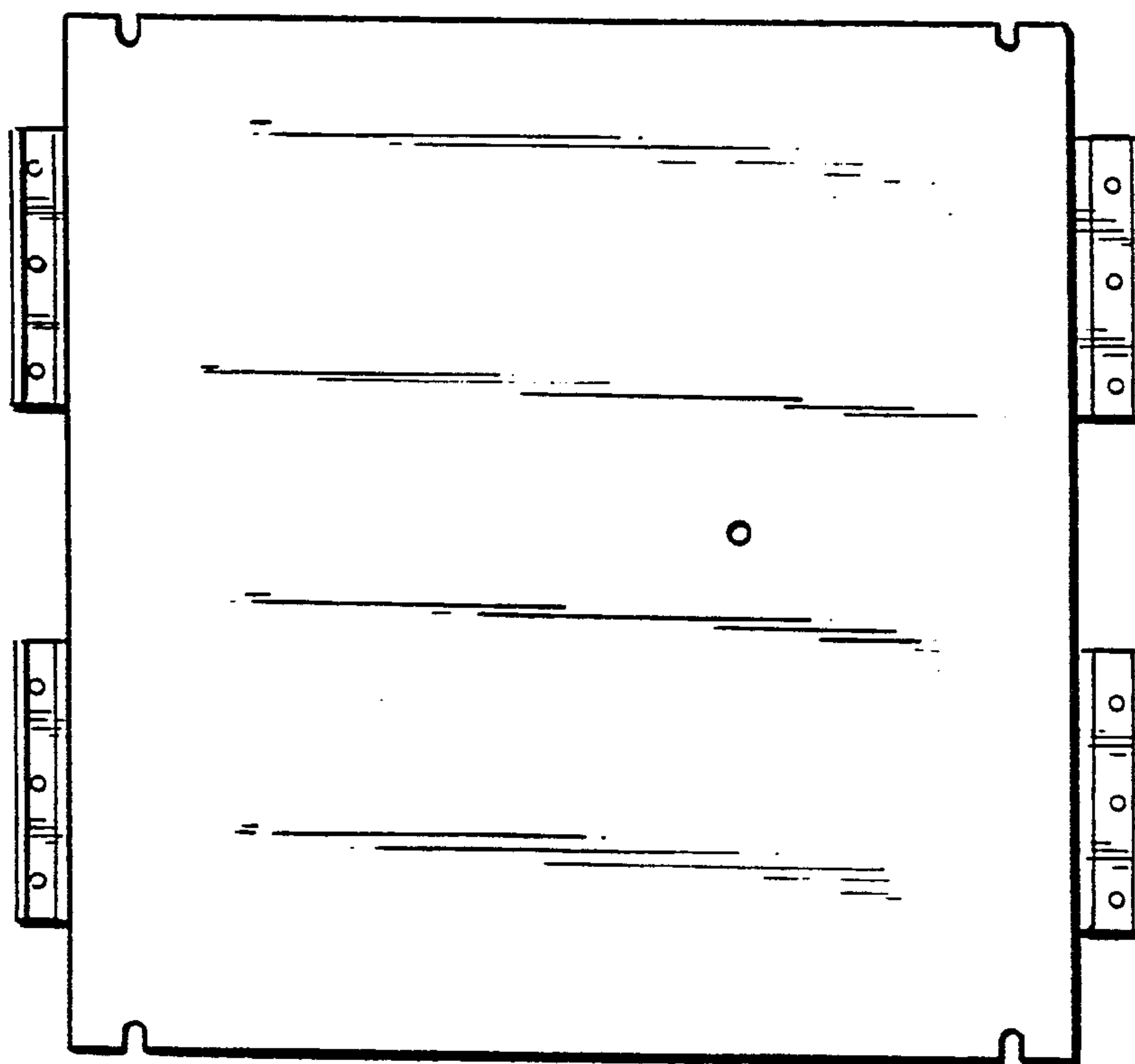


FIG. 6

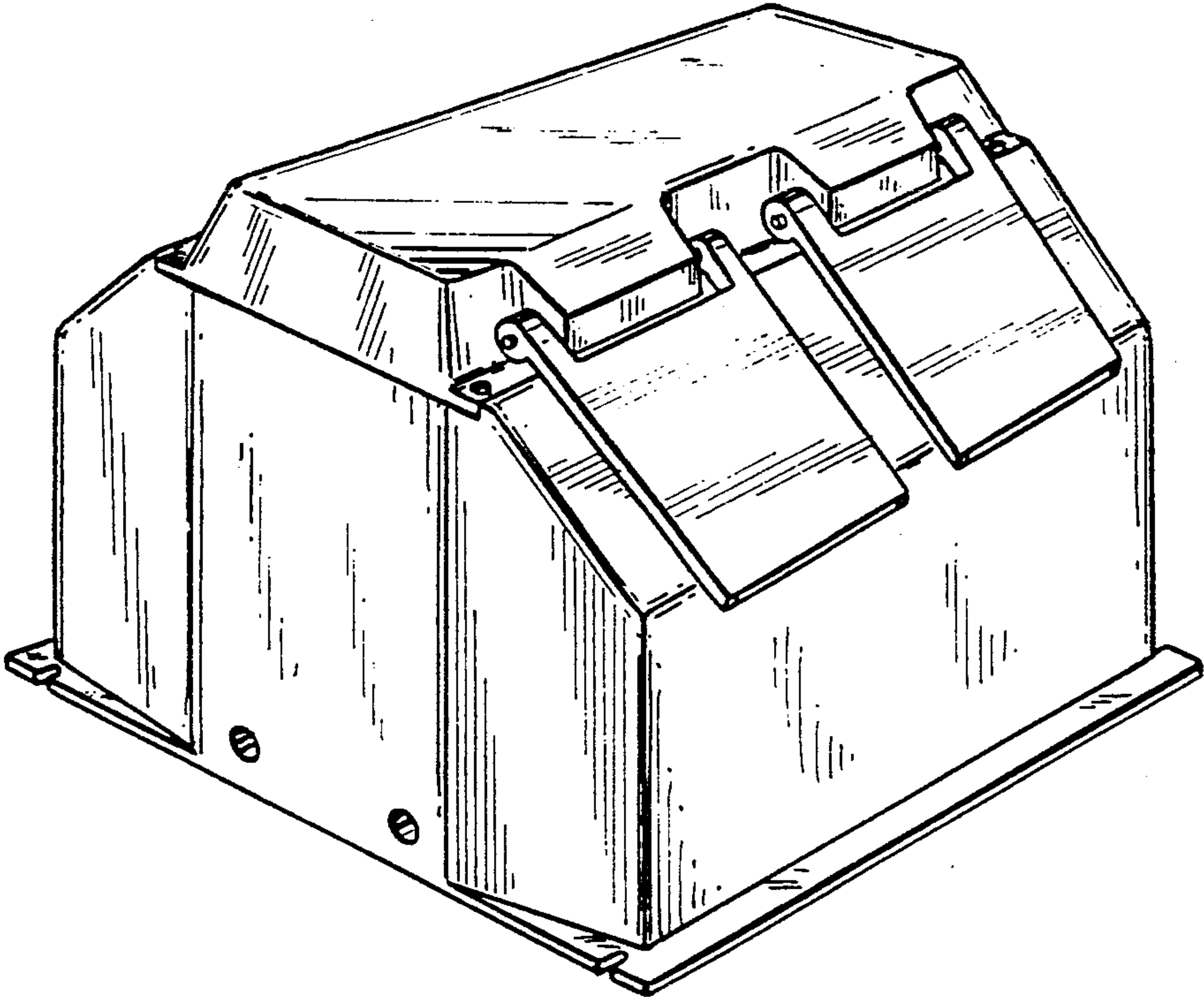


FIG. 7

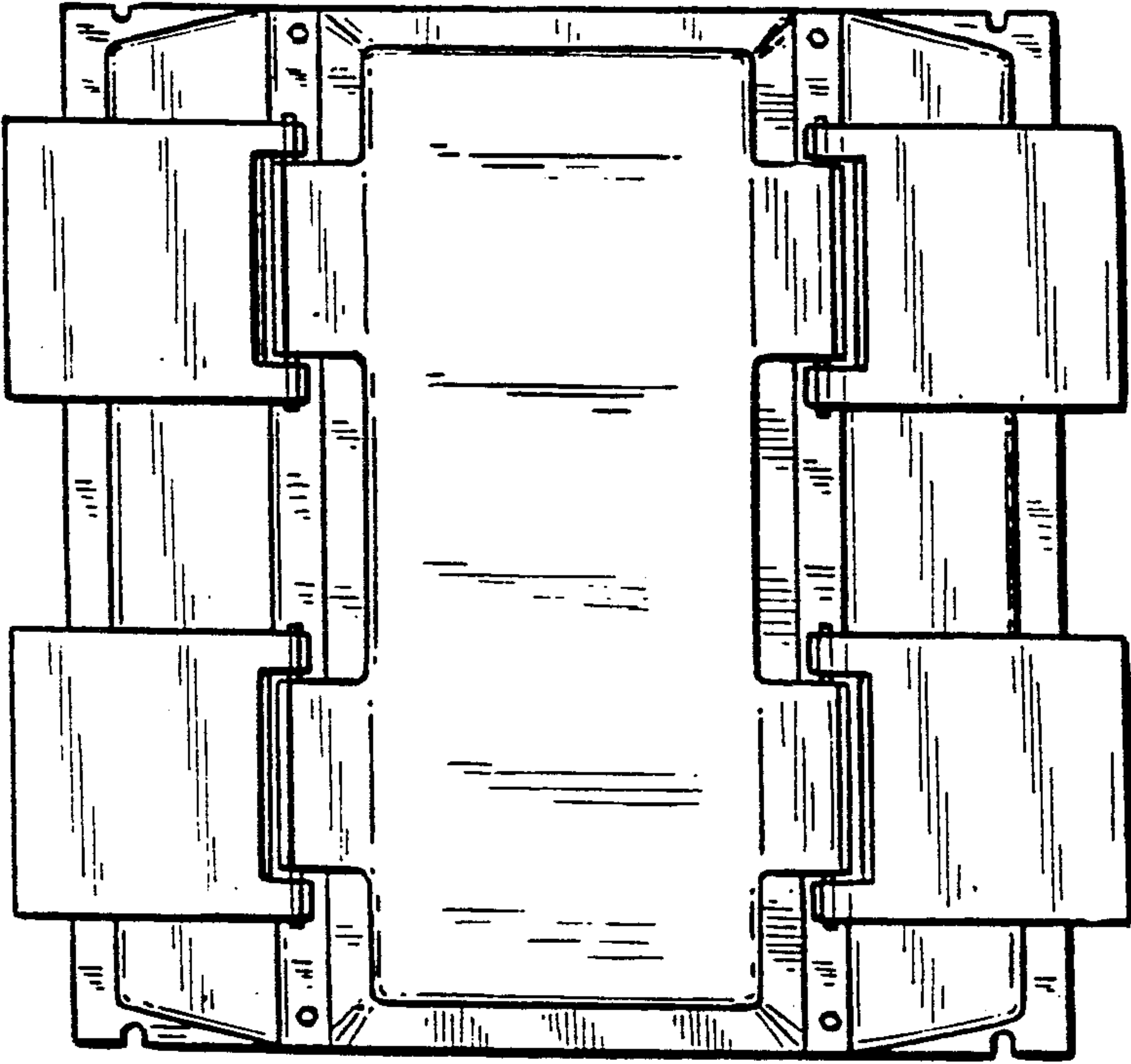


FIG. 8

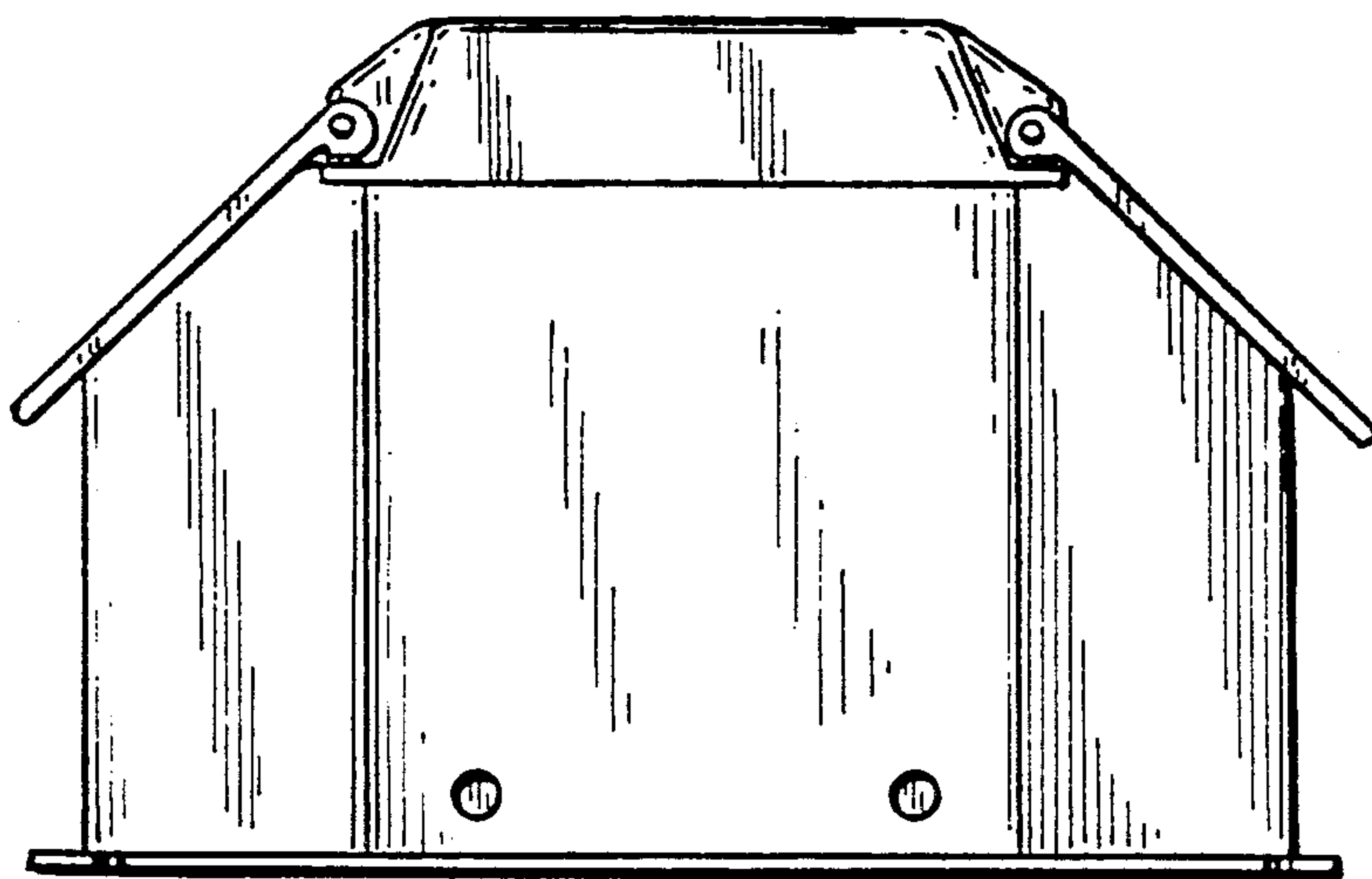


FIG. 9

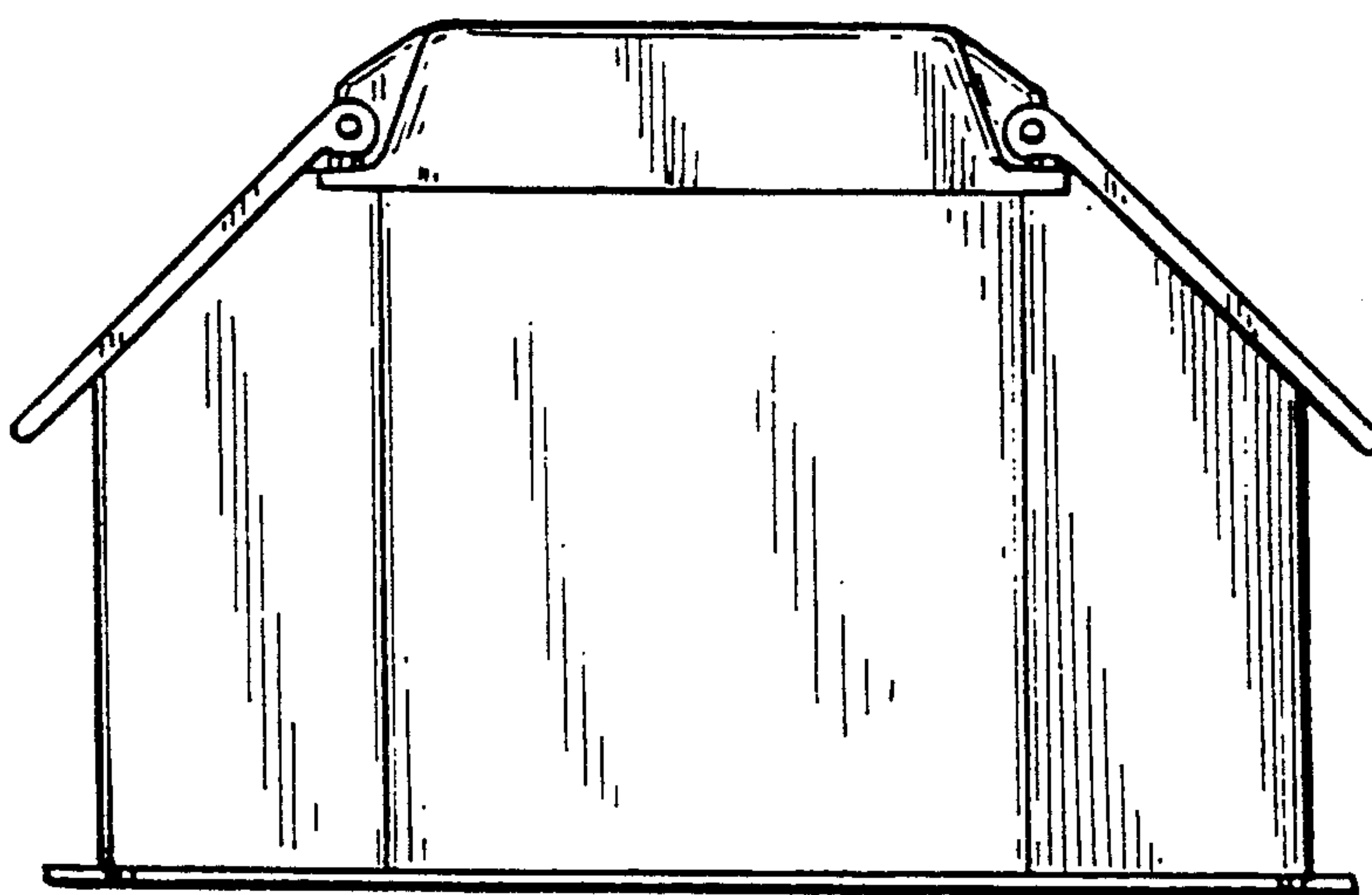


FIG. 10

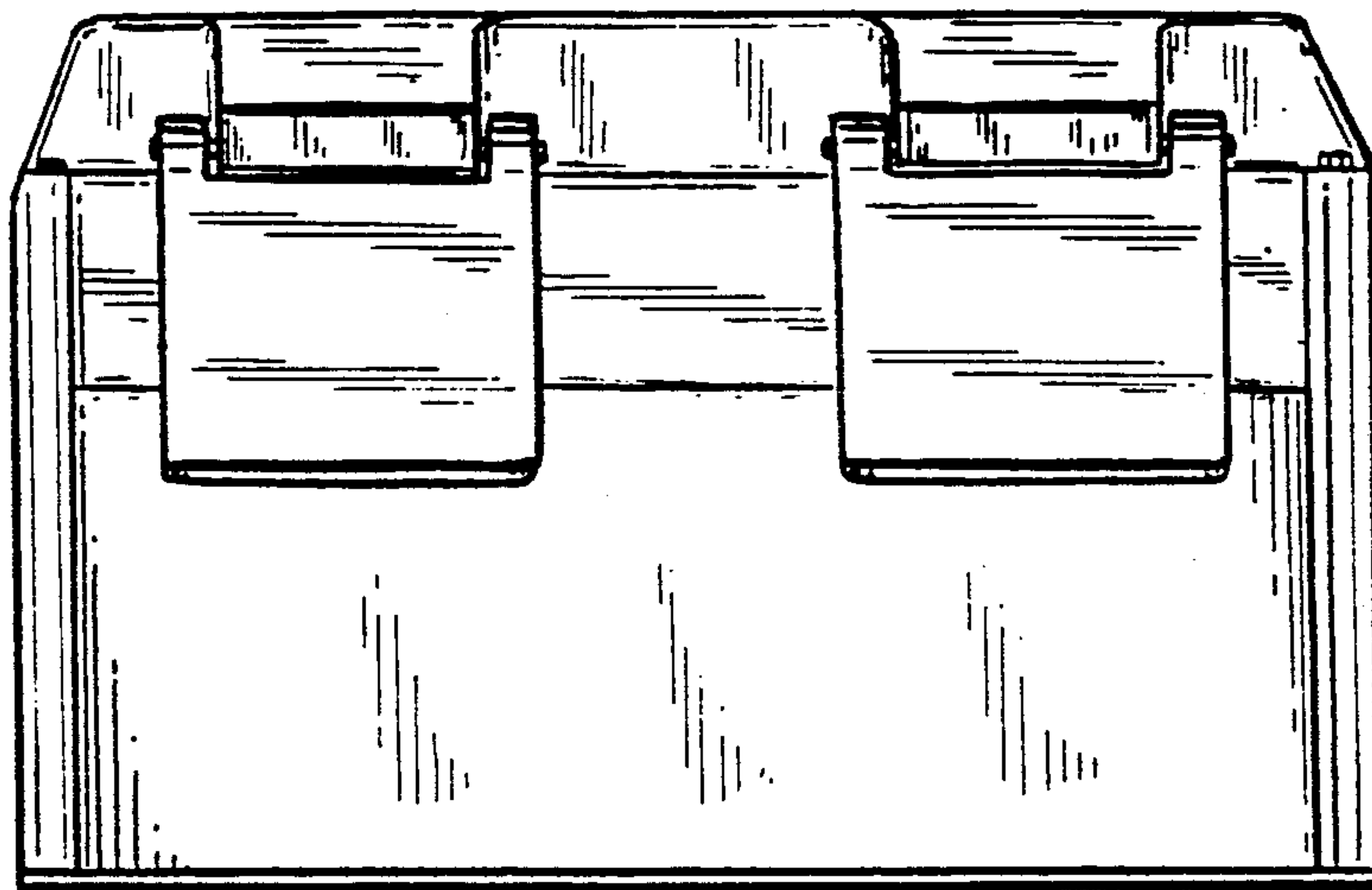


FIG. 11

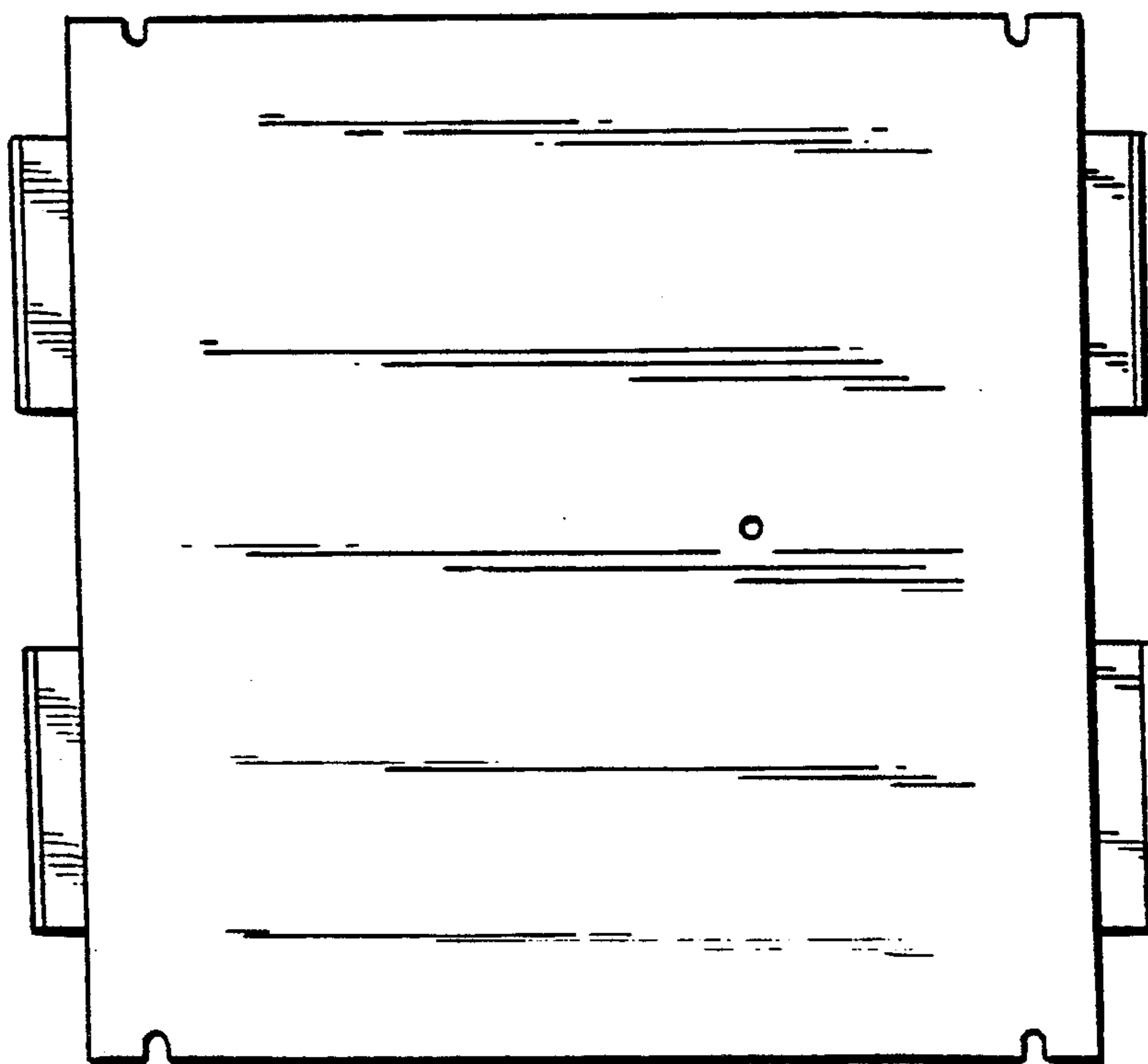


FIG. 12