

[54] READING LAMP

[75] Inventor: Shintaro Tsuji, Tokyo, Japan
[73] Assignee: Sanrio Company, Ltd., Tokyo, Japan
[**] Term: 14 Years
[21] Appl. No.: 263,515
[22] Filed: Oct. 27, 1988
[52] U.S. Cl. D26/97; D21/137
[58] Field of Search D26/94, 47, 73, 97;
362/806, 808; D11/163; D12/88; D14/189

[56] References Cited

U.S. PATENT DOCUMENTS

D. 152,390 1/1949 Brenner D26/97
D. 262,127 12/1981 Phillippe D21/137
D. 287,058 12/1986 Silverman D26/47

FOREIGN PATENT DOCUMENTS

62-163942 10/1987 Japan .

Primary Examiner—Susan J. Lucas

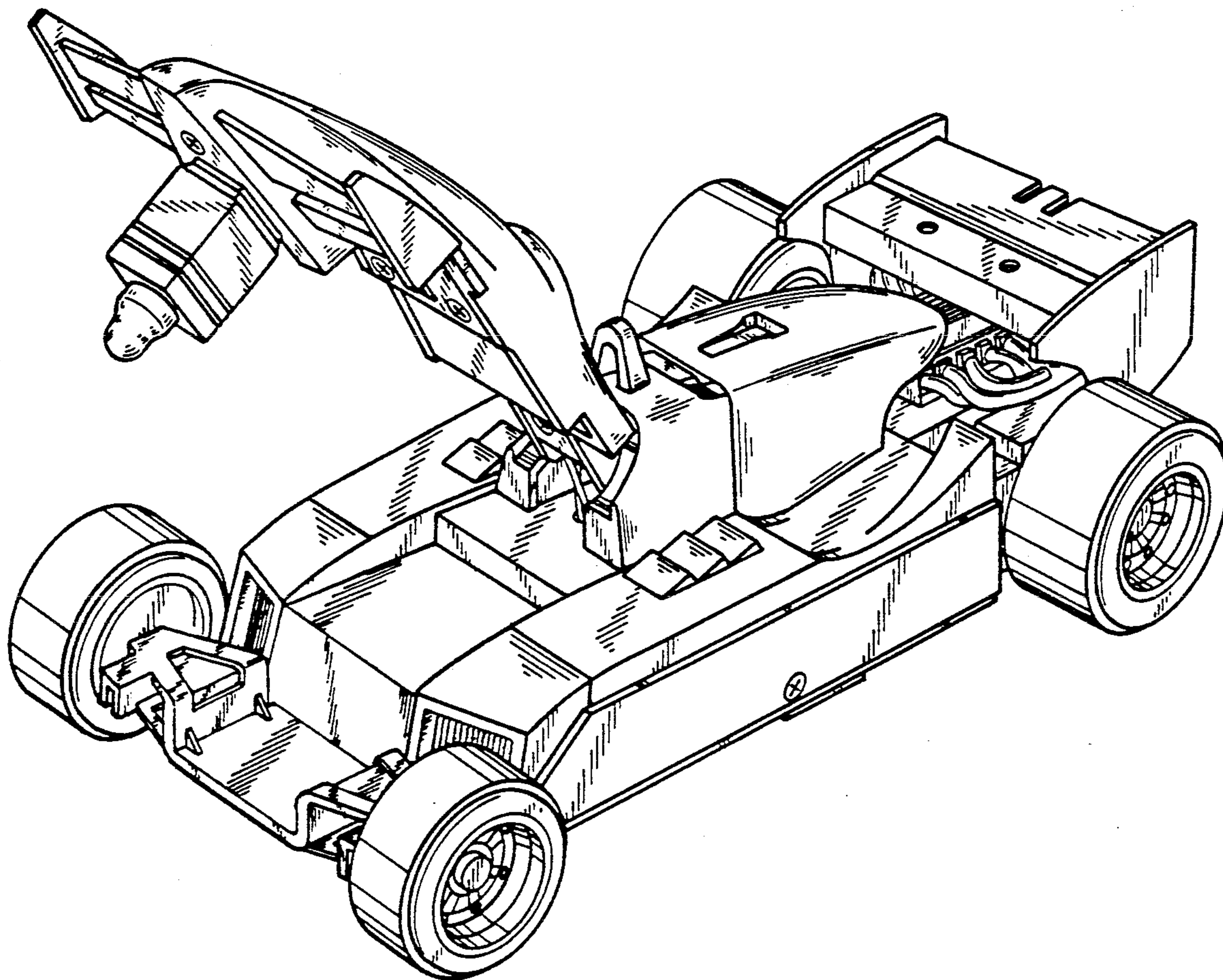
Attorney, Agent, or Firm—Owen, Wickersham & Erickson

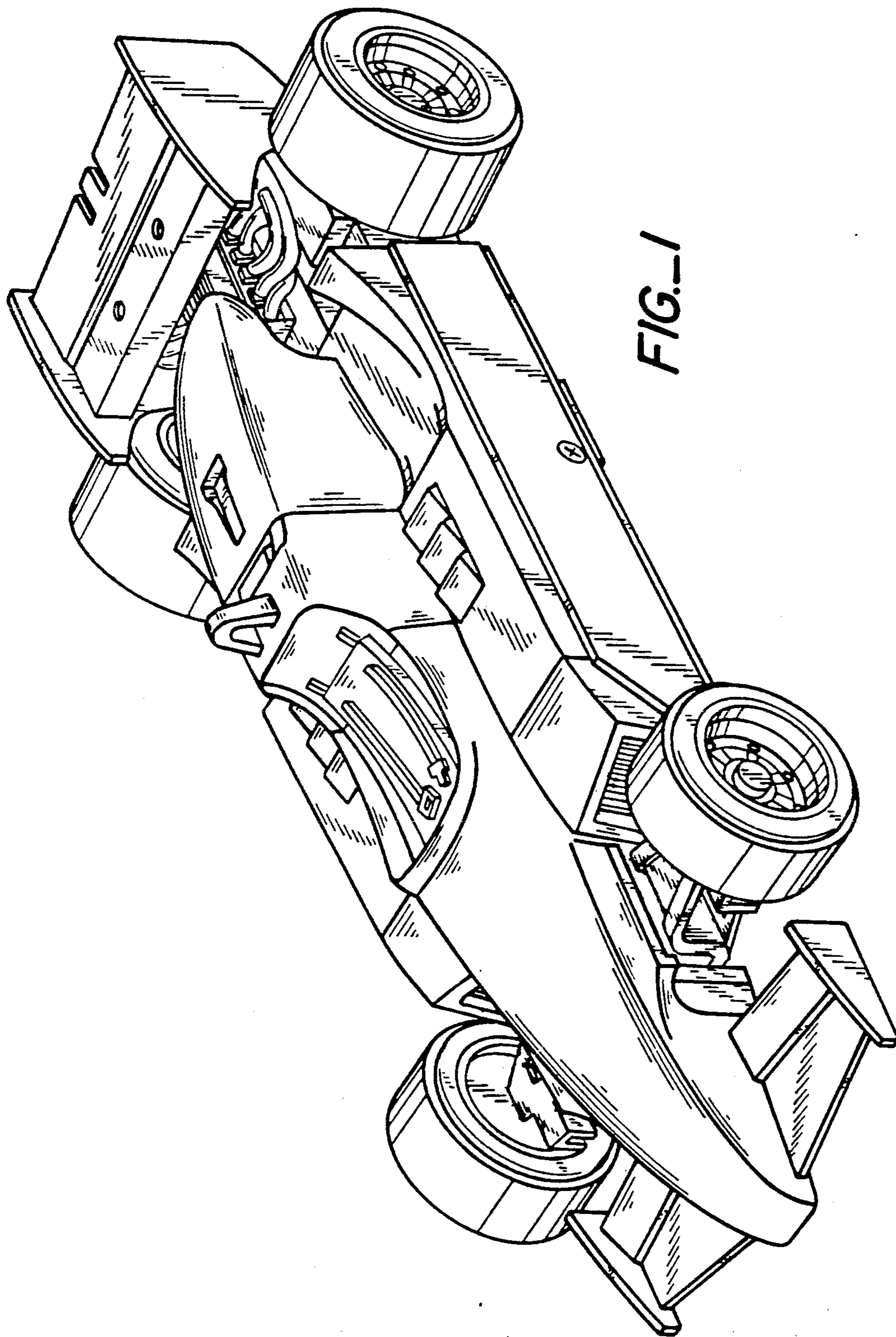
[57] CLAIM

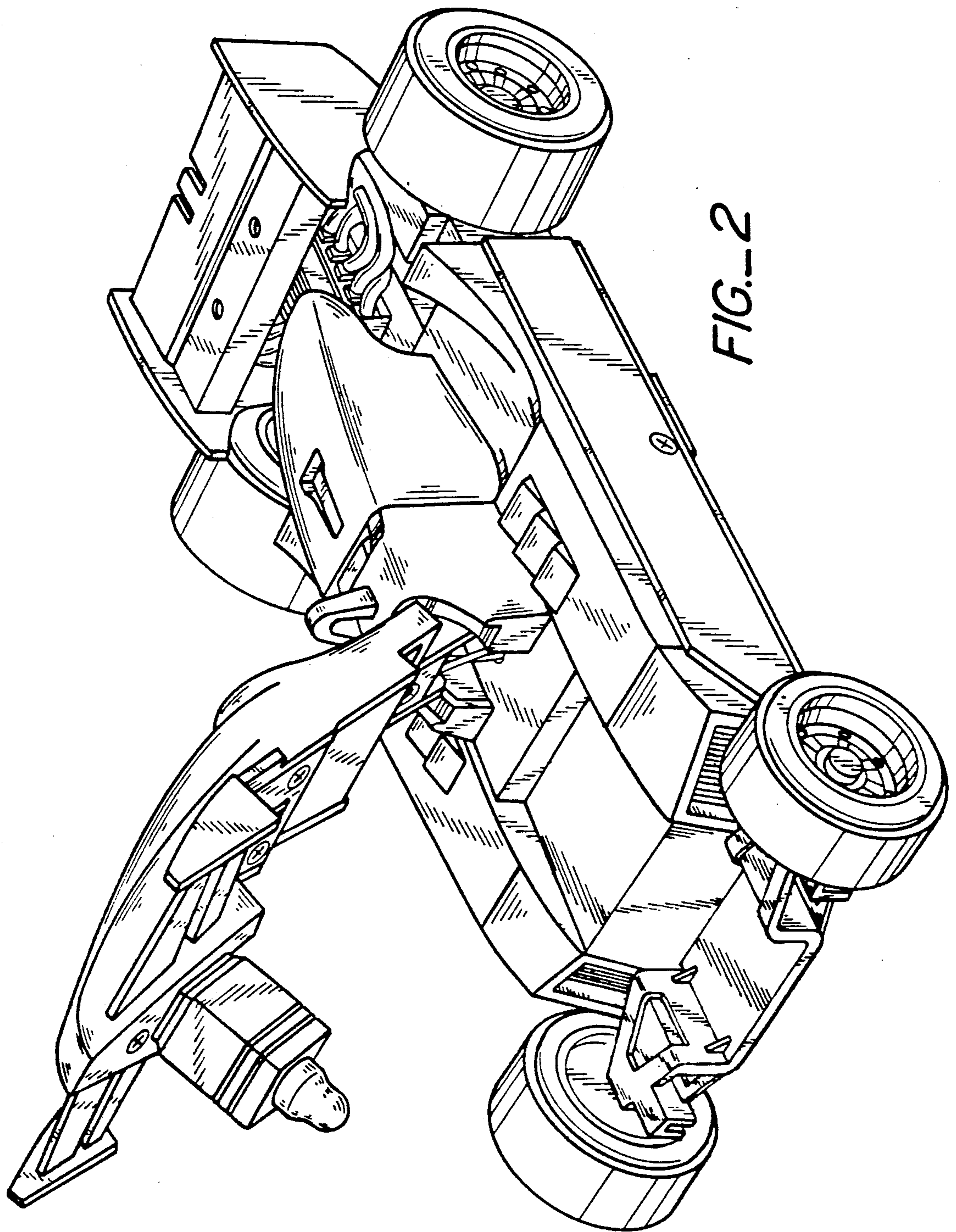
The ornamental design for a reading lamp, as shown and described.

DESCRIPTION

FIG. 1 is a top, front perspective view of a reading lamp showing my new design, the lamp being in the closed position;
FIG. 2 is a top, front perspective view thereof, the lamp being in the open position;
FIG. 3 is a right side elevational view of the reading lamp on a reduced scale, the lamp in the closed position;
FIG. 4 is a front elevational view thereof;
FIG. 5 is a rear elevational view thereof;
FIG. 6 is a right side elevational view of the reading lamp on a reduced scale, the lamp being in an open position;
FIG. 7 is a front elevational view thereof;
FIG. 8 is a rear elevational view thereof;
FIG. 9 is a top plan view thereof;
FIG. 10 is a left side elevational view thereof;
FIG. 11 is a bottom plan view thereof.







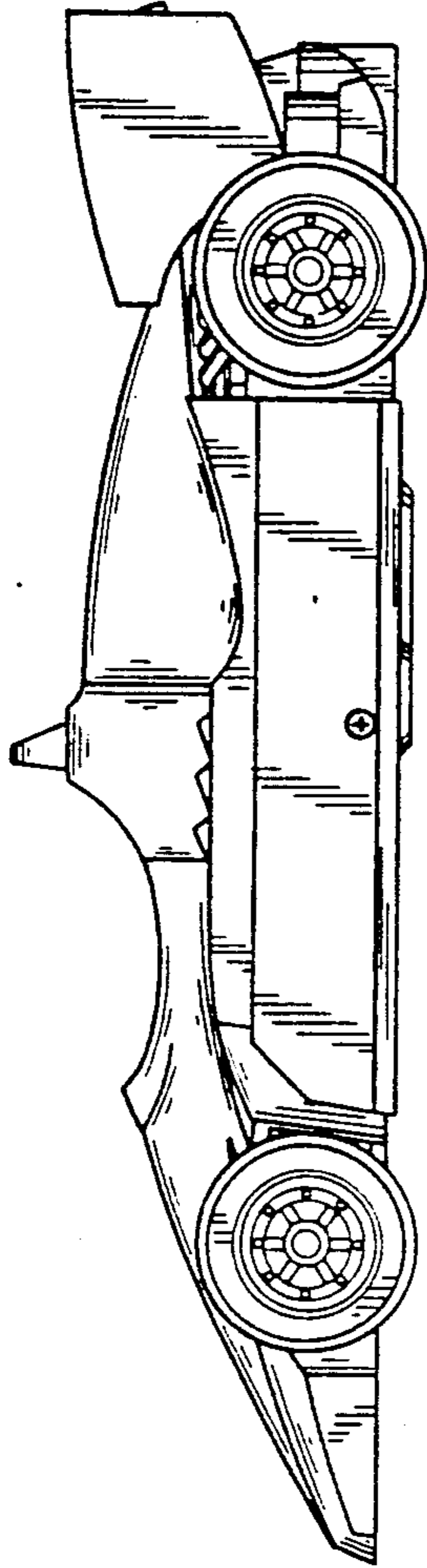


FIG.-3

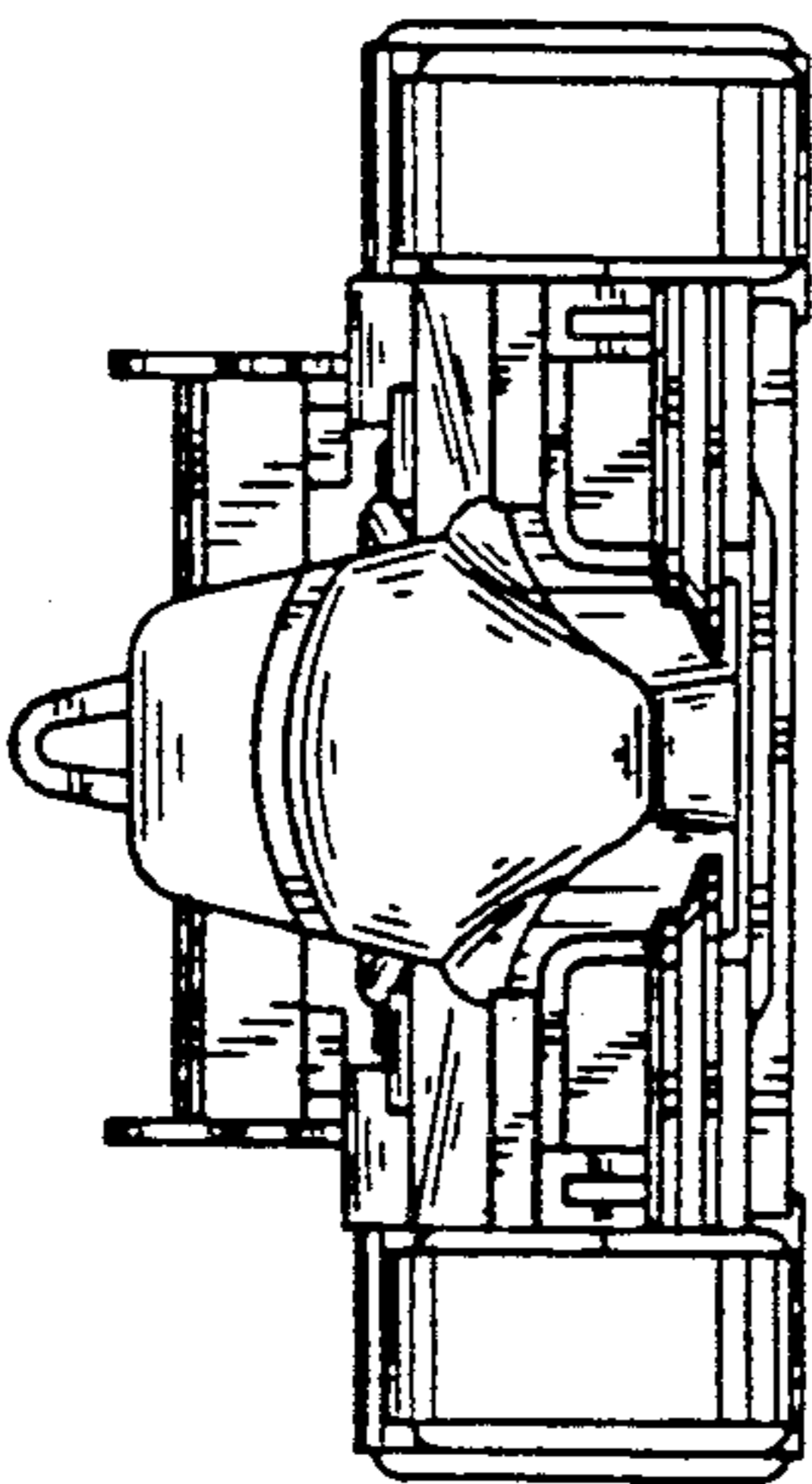


FIG.-4

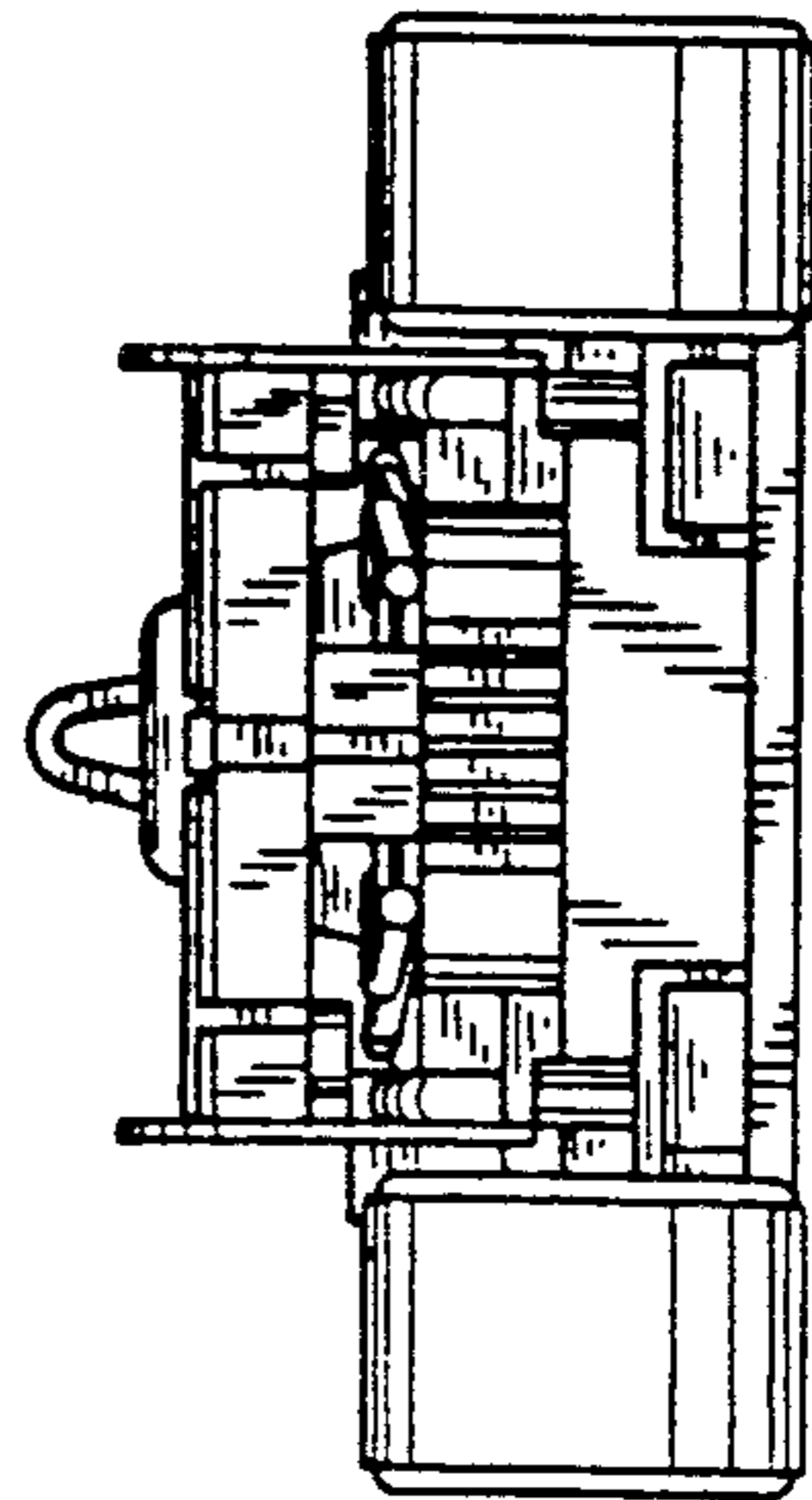


FIG.-5

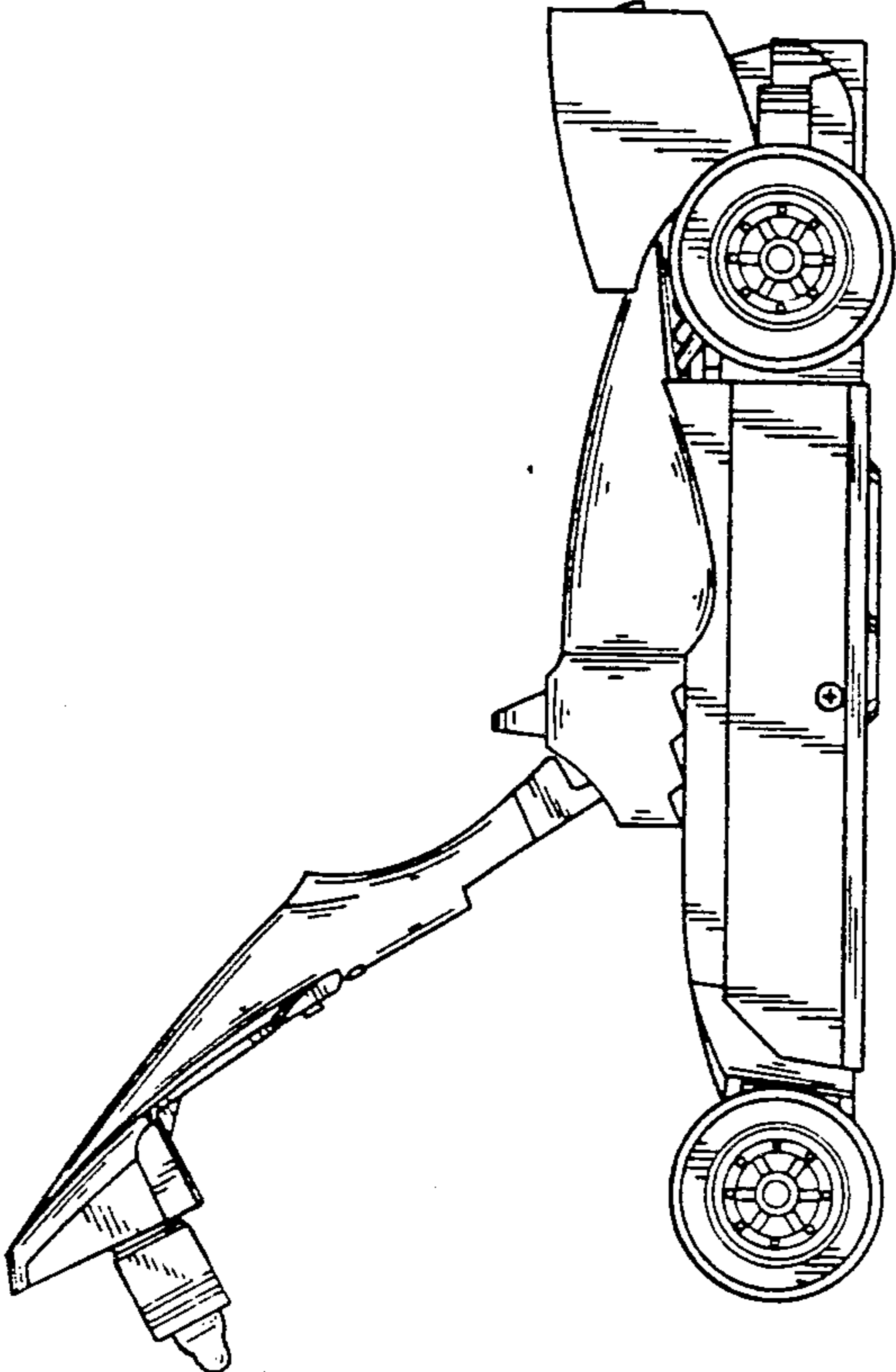


FIG.-6

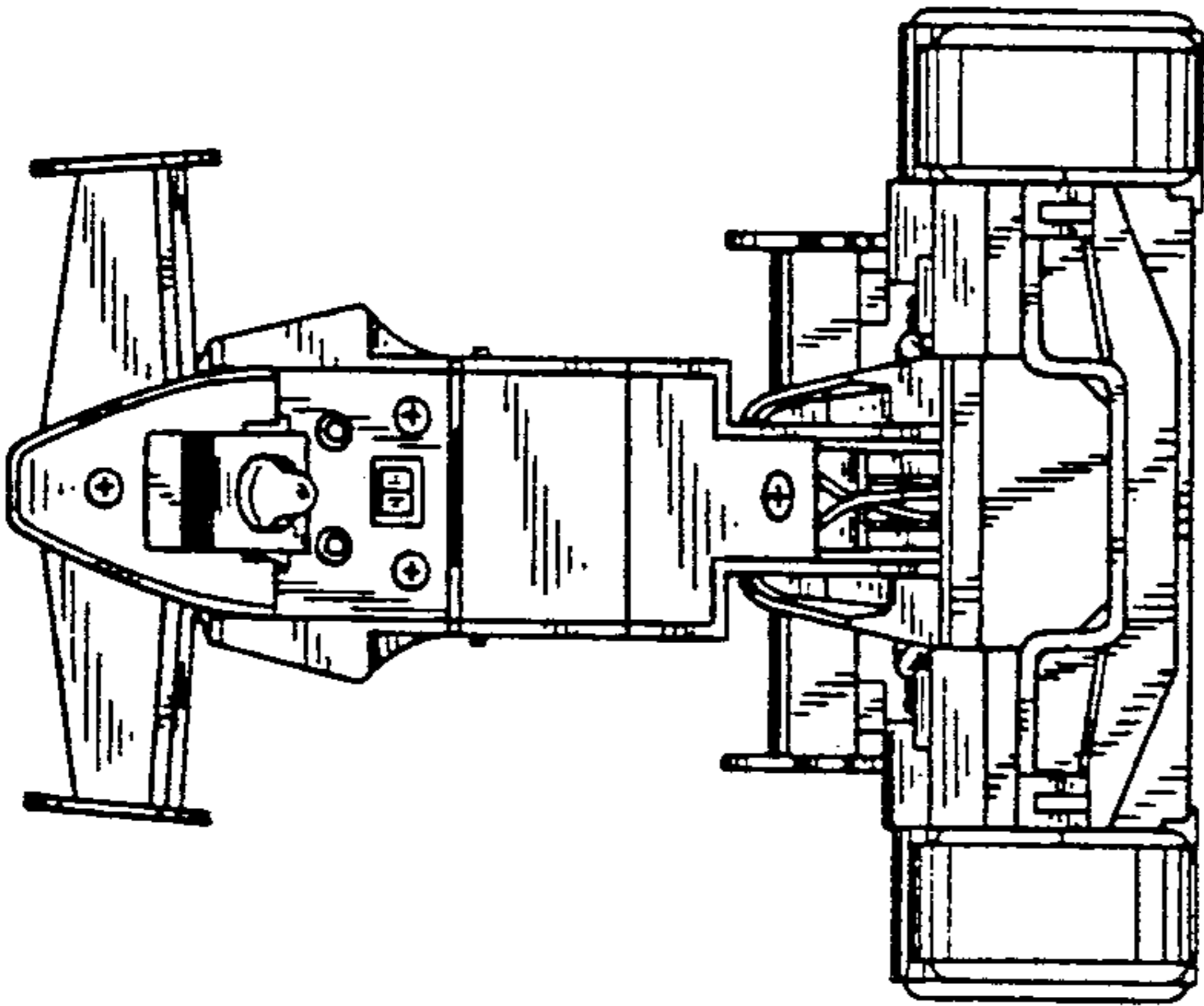


FIG.-7

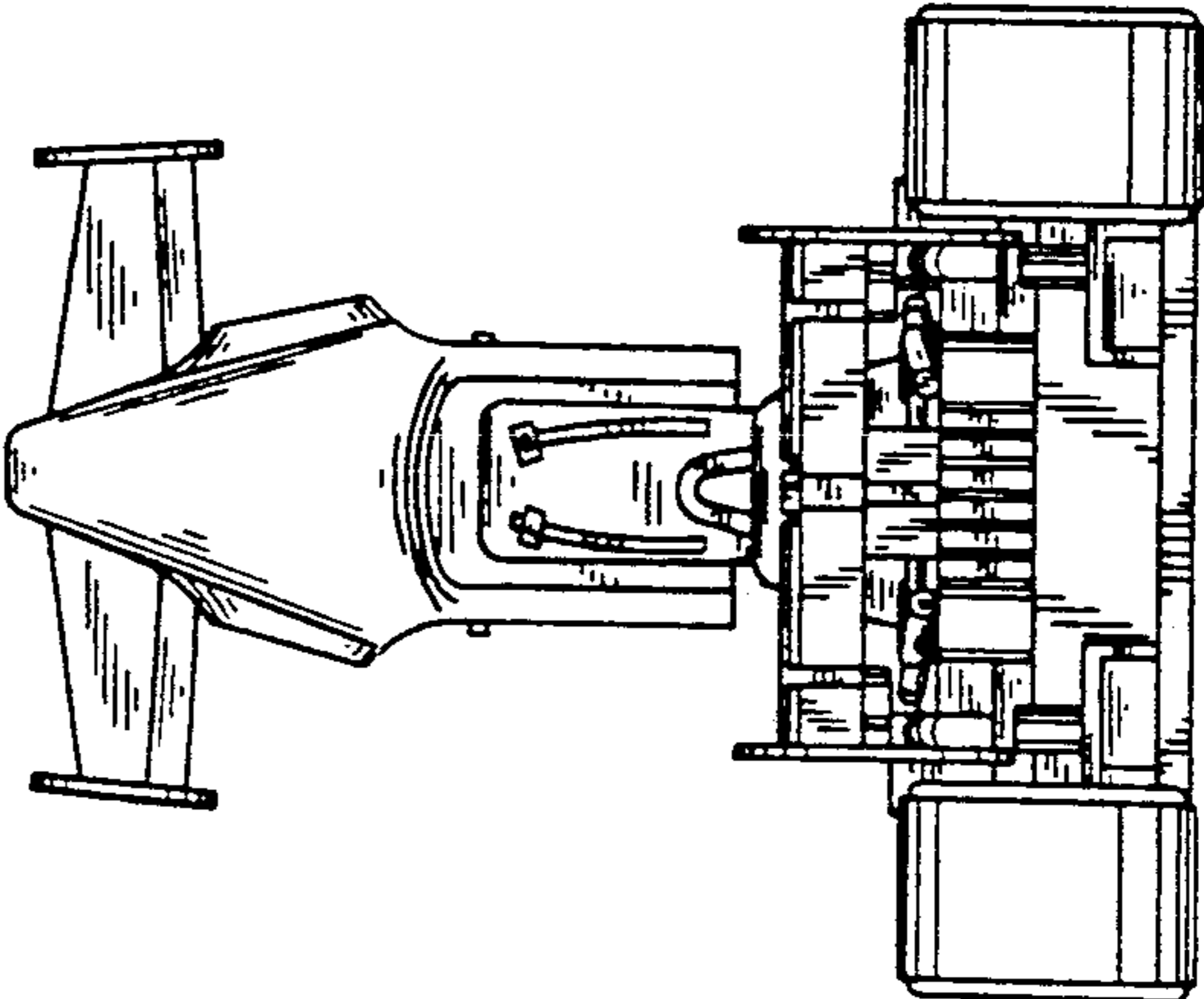


FIG.-8

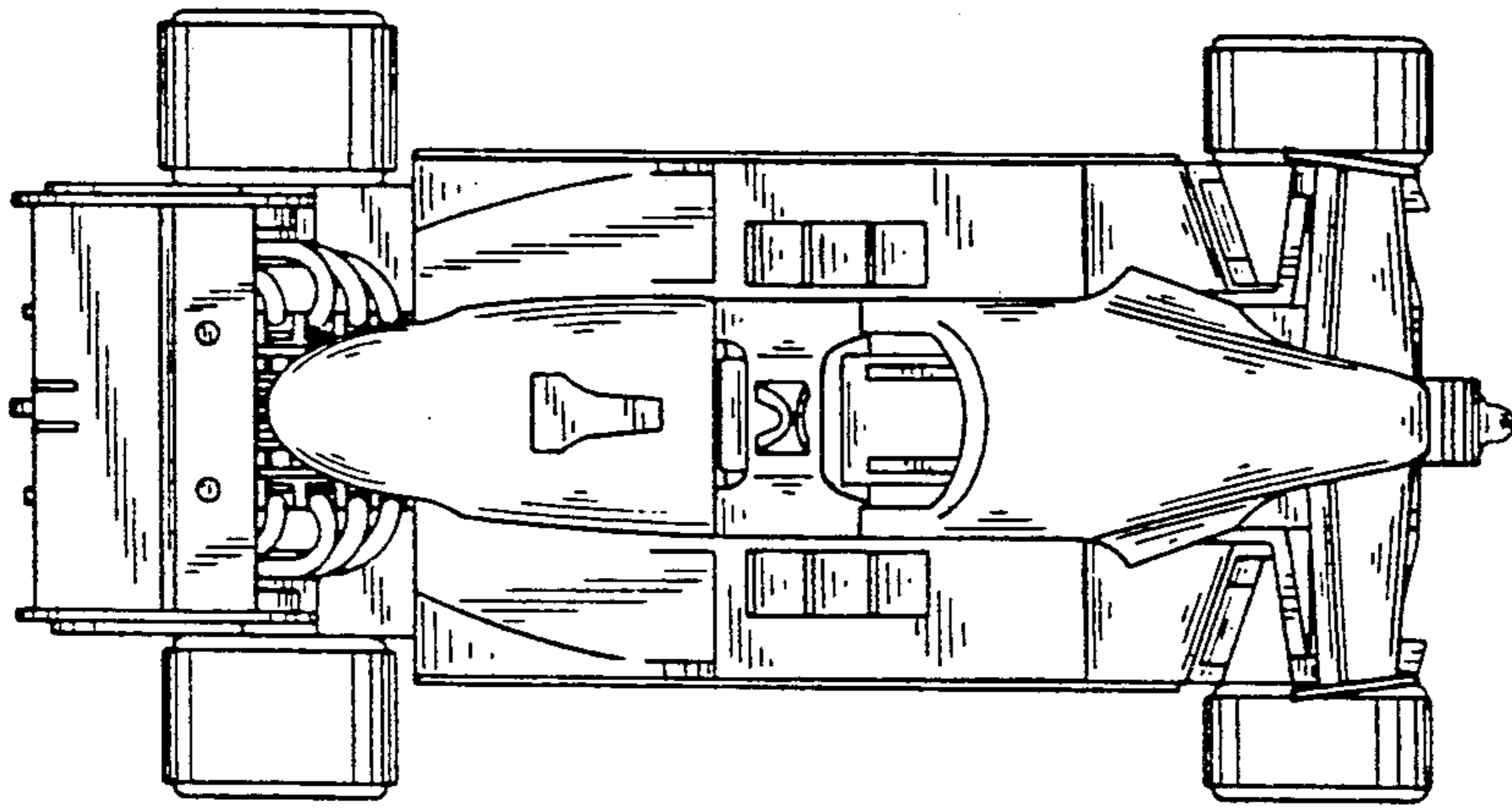


FIG. 9

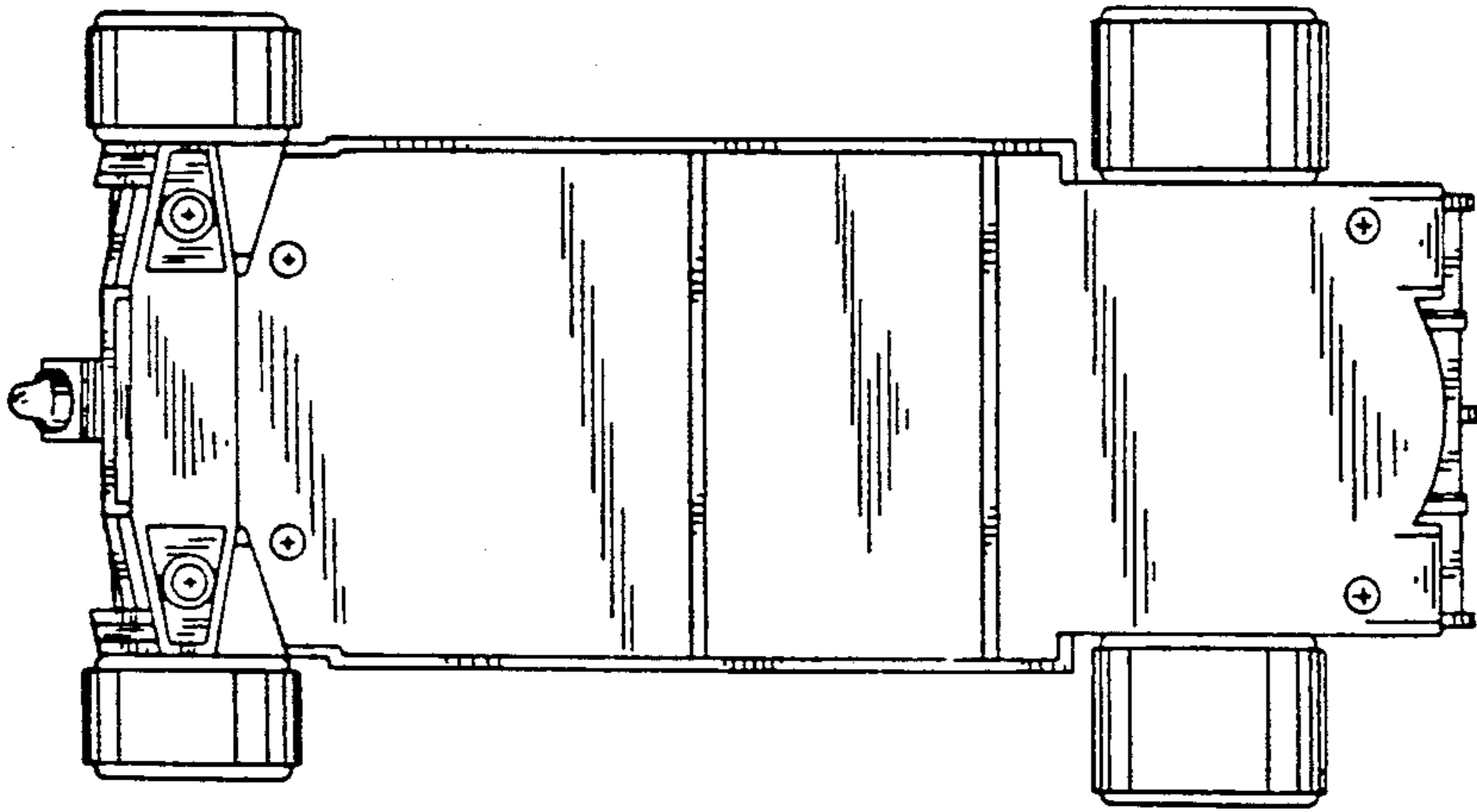


FIG. 11

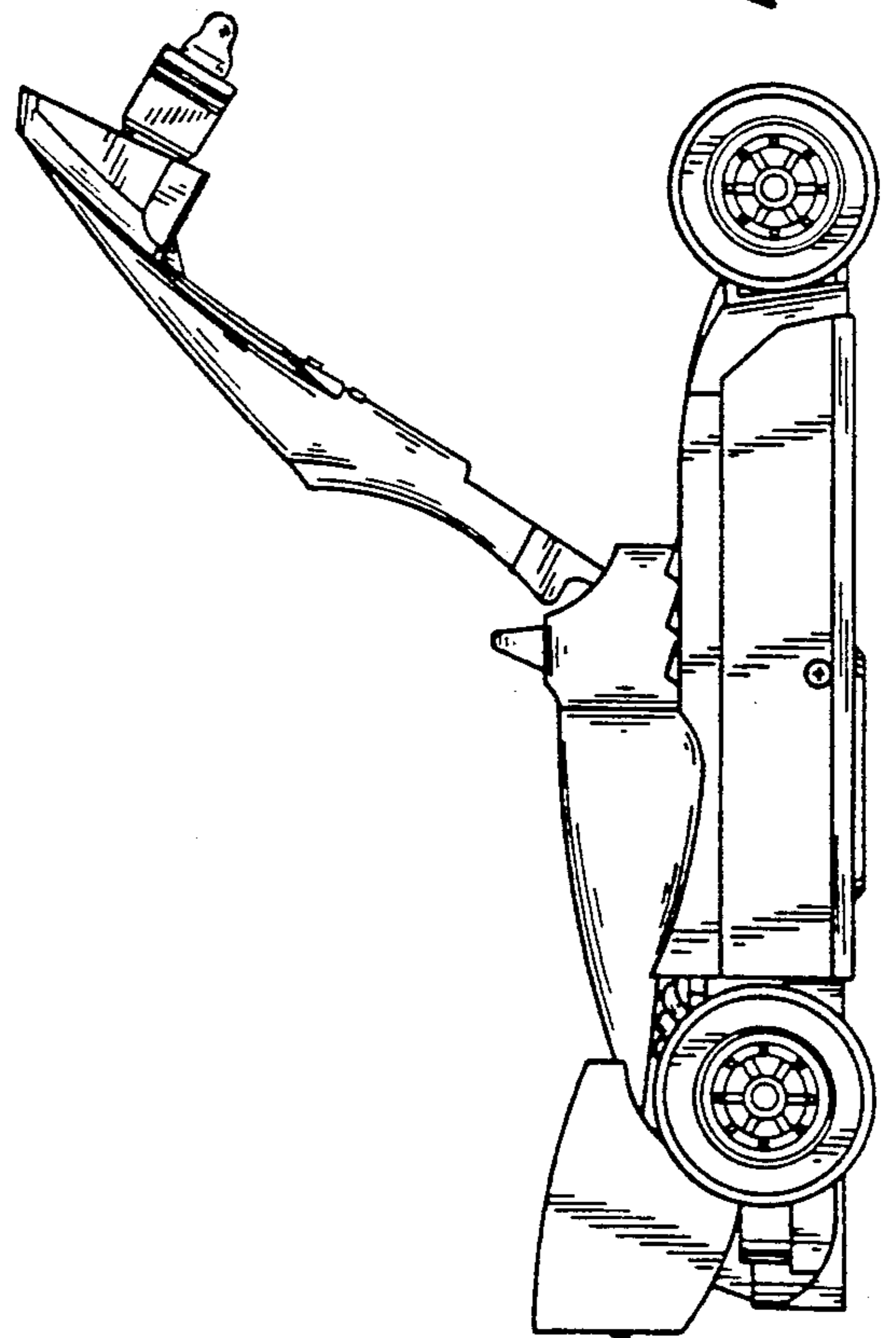


FIG. 10