

[54] **ADJUSTABLE LAMP**

[76] **Inventor: Ken Goldner, 145 E. 16th St., New York, N.Y. 10003**

[**] **Term: 14 Years**

[21] **Appl. No.: 463,626**

[22] **Filed: Jan. 8, 1990**

[52] **U.S. Cl. D26/65**

[58] **Field of Search D26/60-66,
D26/93, 102-112; 362/410-414, 418, 419, 428,
269, 275, 287**

[56] **References Cited**

U.S. PATENT DOCUMENTS

- D. 270,483 9/1983 Gardner et al. D26/63
- D. 296,479 6/1988 Chan D26/61
- D. 312,888 12/1990 Goldner D26/65

FOREIGN PATENT DOCUMENTS

- 2162428 6/1973 Fed. Rep. of Germany 362/410

2627221 12/1976 Fed. Rep. of Germany 362/410

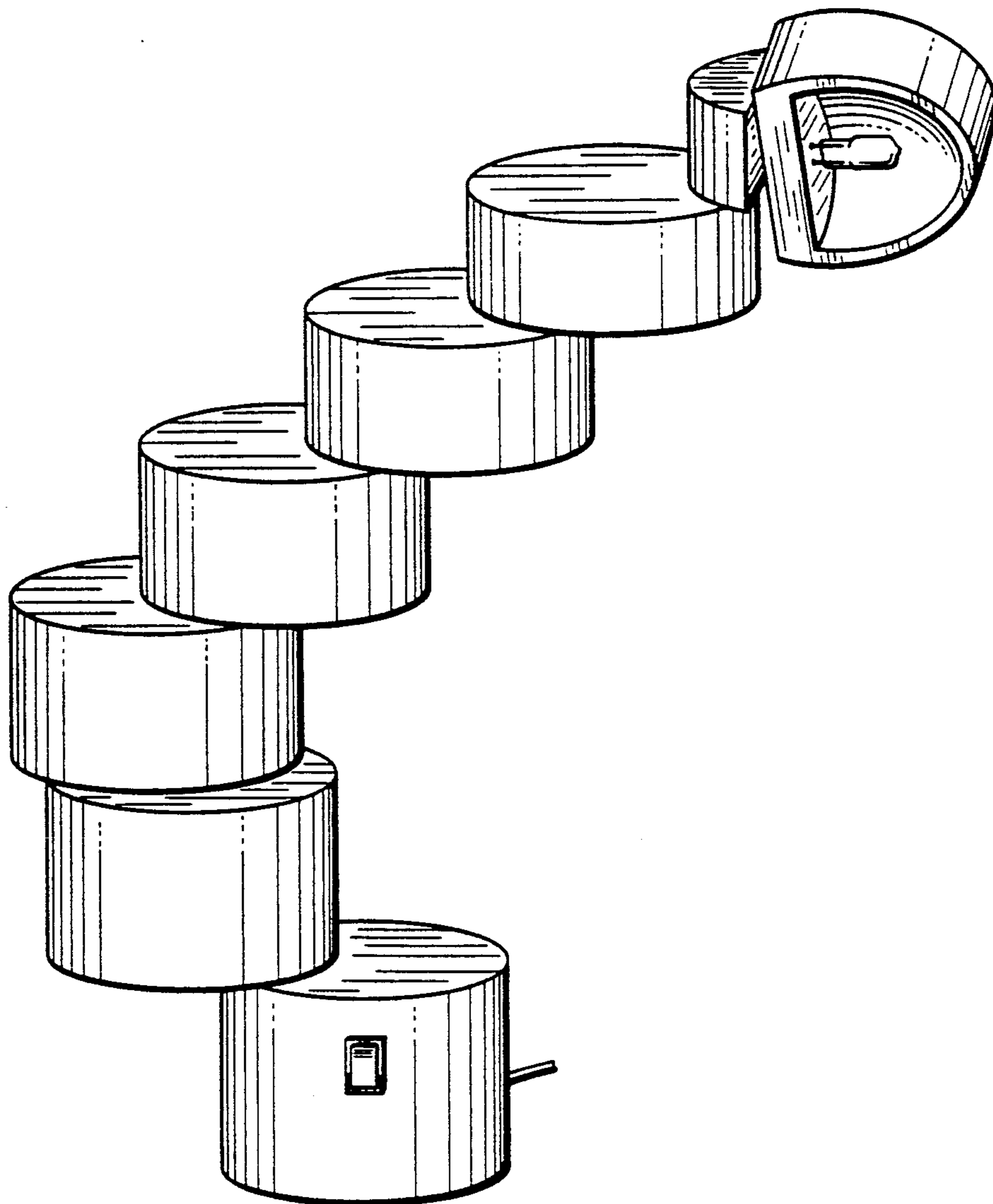
*Primary Examiner—Susan J. Lucas
Attorney, Agent, or Firm—Jordan and Hamburg*

[57] **CLAIM**

The ornamental design for an adjustable lamp, as shown and described.

DESCRIPTION

FIG. 1 is a front elevational view of an adjustable lamp showing my new design;
FIG. 2 is a right side elevational view thereof, the left side elevational view being a mirror image of FIG. 2;
FIG. 3 is a top plan view thereof;
FIG. 4 is a bottom plan view thereof;
FIG. 5 is a perspective view thereof with the adjustable lamp sections in pivotally moved positions; and
FIG. 6 is a perspective view thereof with the adjustable lamp sections in other pivotally moved positions and the adjustable lamp shade of the uppermost adjustable lamp section in a rotationally moved position.



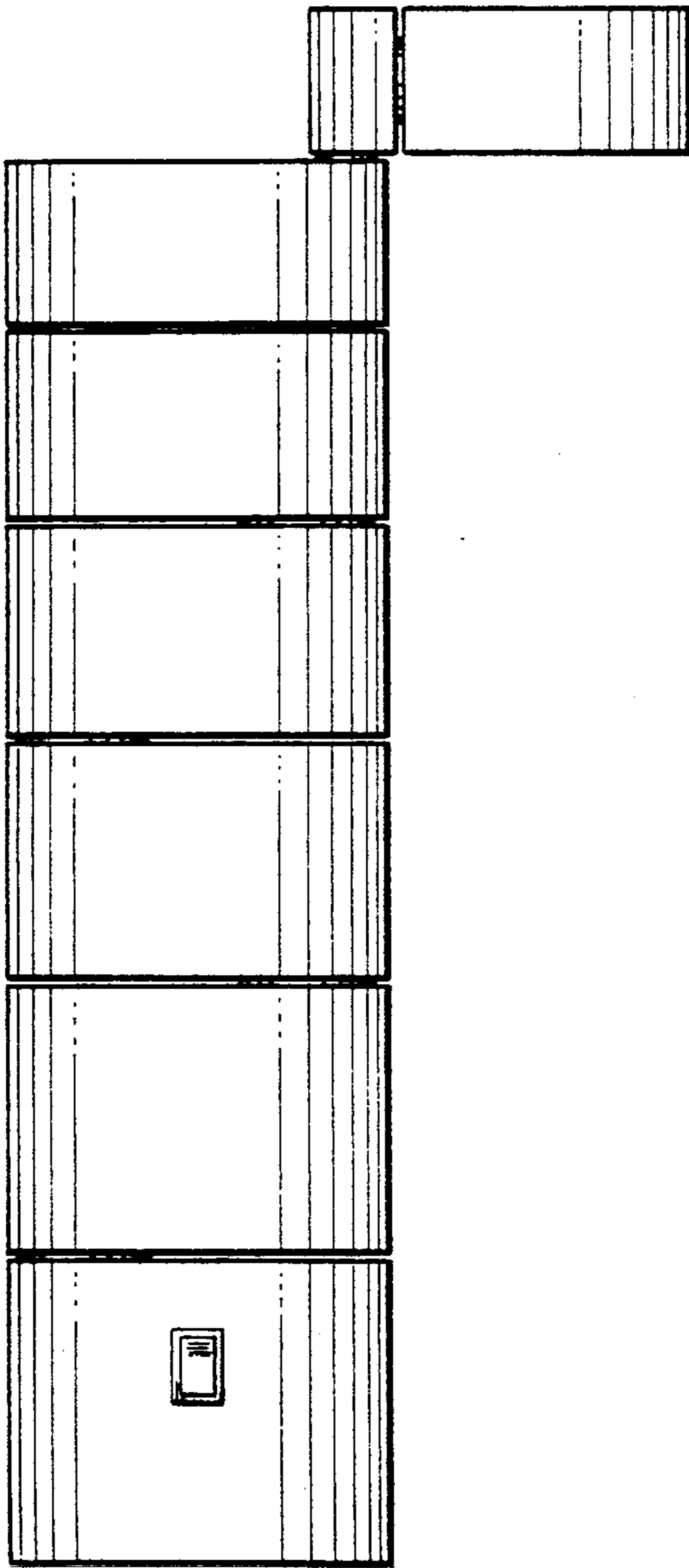


FIG. 1

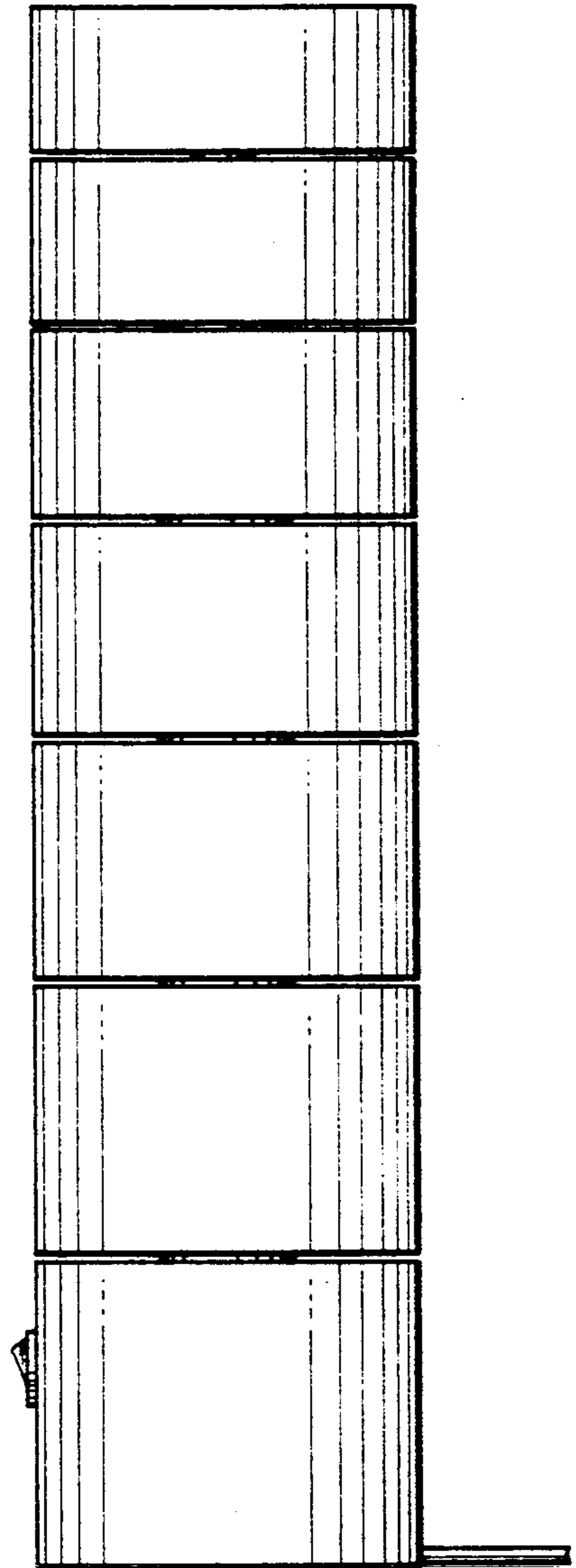


FIG. 2

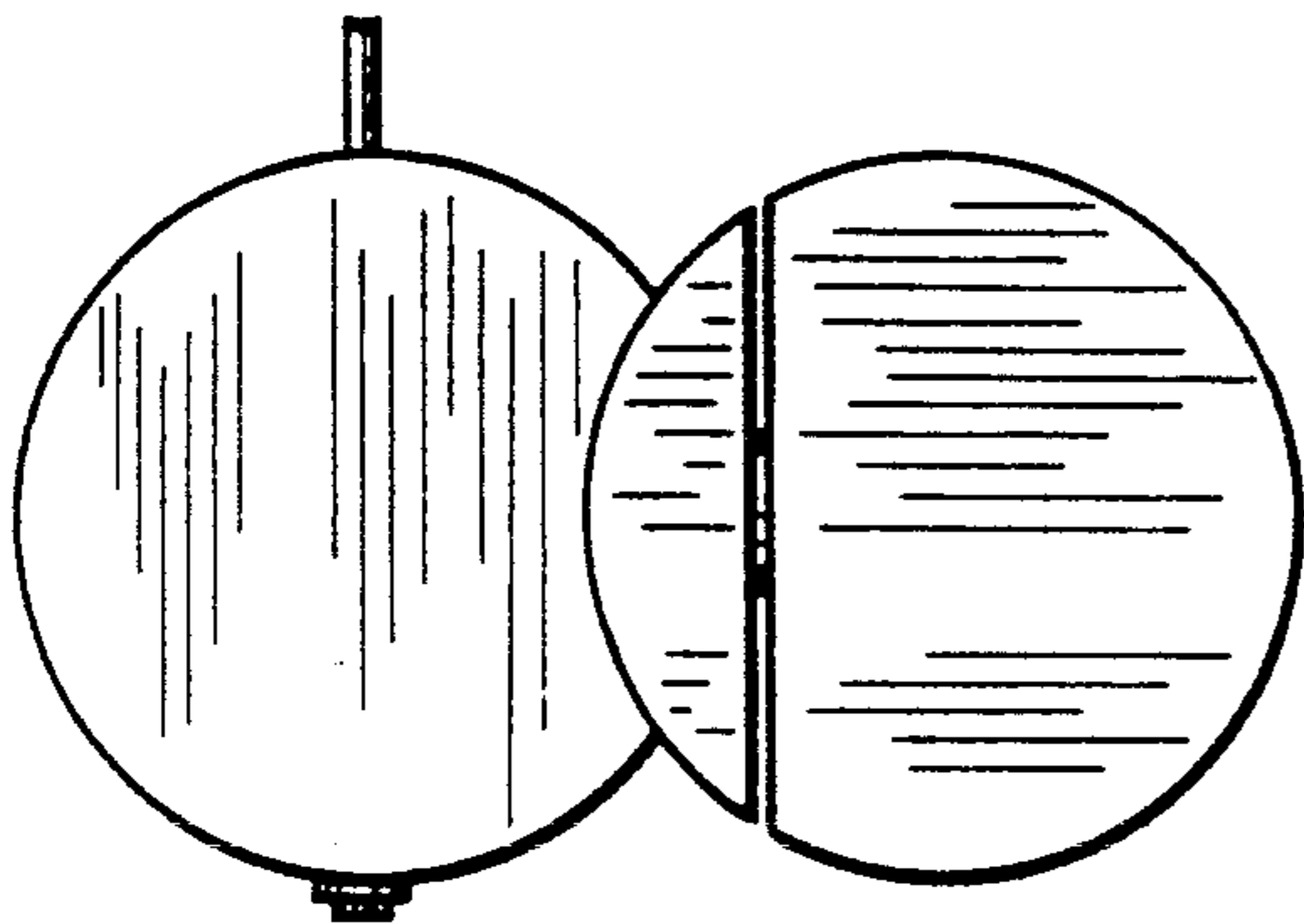


FIG. 3

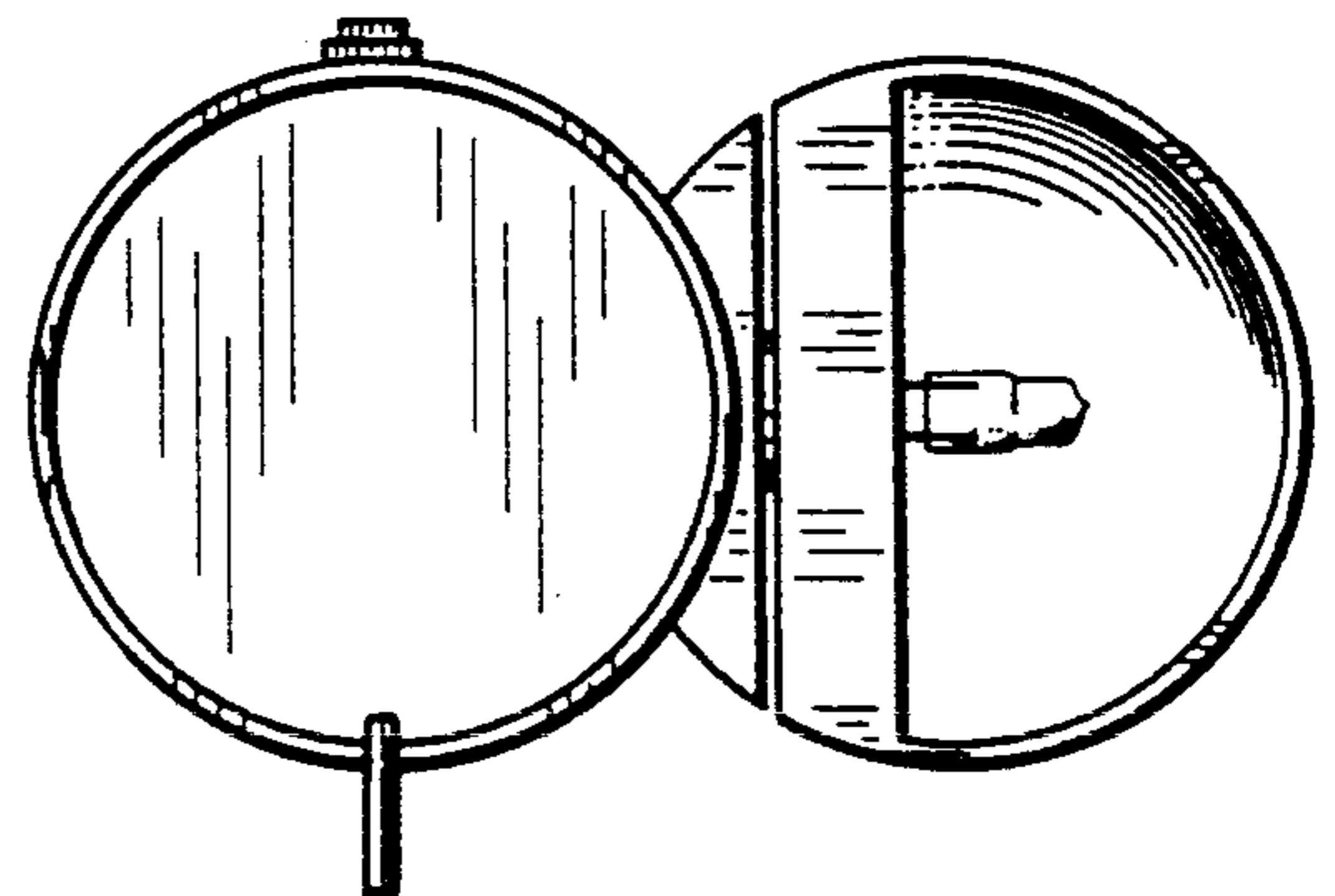


FIG. 4

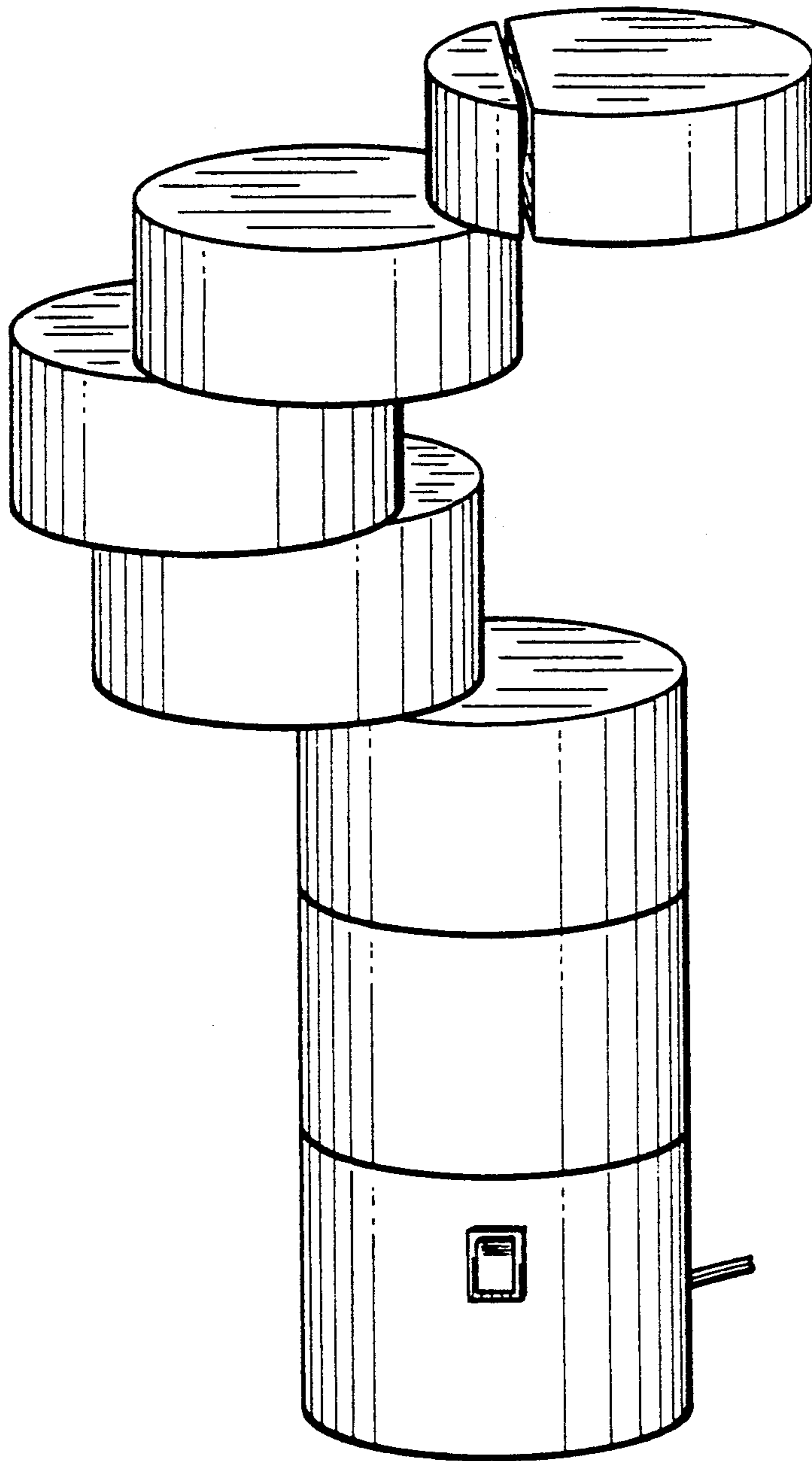


FIG. 5

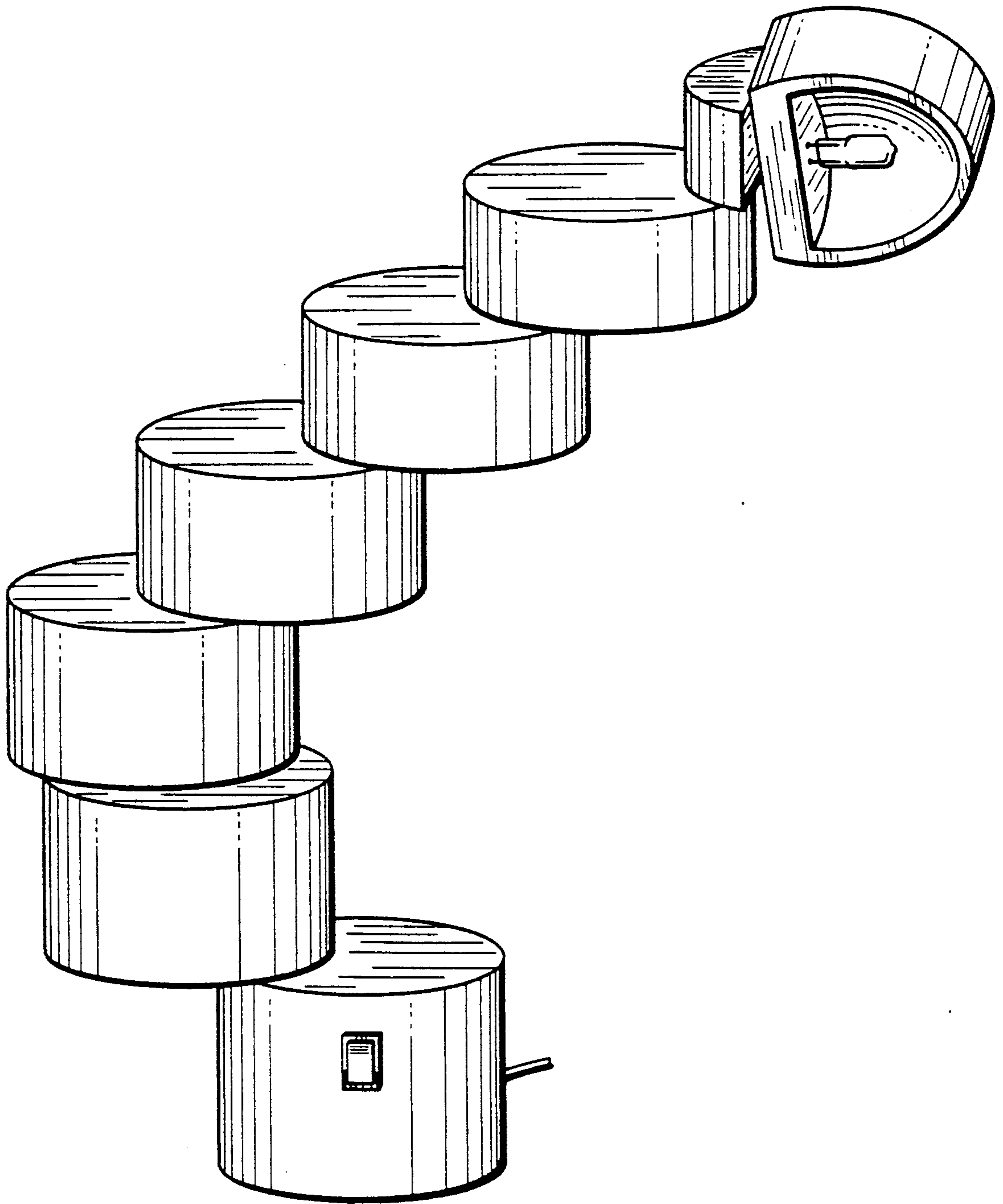


FIG. 6