

[54] MULTI-POSITION DROP LIGHT

[76] Inventor: Robert D. Burgett, 5609 Granada, Amarillo, Tex. 79109

[**] Term: 14 Years

[21] Appl. No.: 417,671

[22] Filed: Oct. 5, 1989

[52] U.S. Cl. D26/37

[58] Field of Search D26/37-50, D26/119; 362/157, 158, 183-208, 358, 376, 377, 396, 398, 399, 400

[56] References Cited

U.S. PATENT DOCUMENTS

D. 271,057 10/1983 Tirpik D26/37
2,394,697 2/1946 Kollath D26/119 X

4,321,660 3/1982 Sokol 362/378 X
4,458,304 7/1984 Imsdahl 362/399 X
4,581,688 4/1986 Trygar 362/399 X
4,639,842 1/1987 Upchurch 362/376

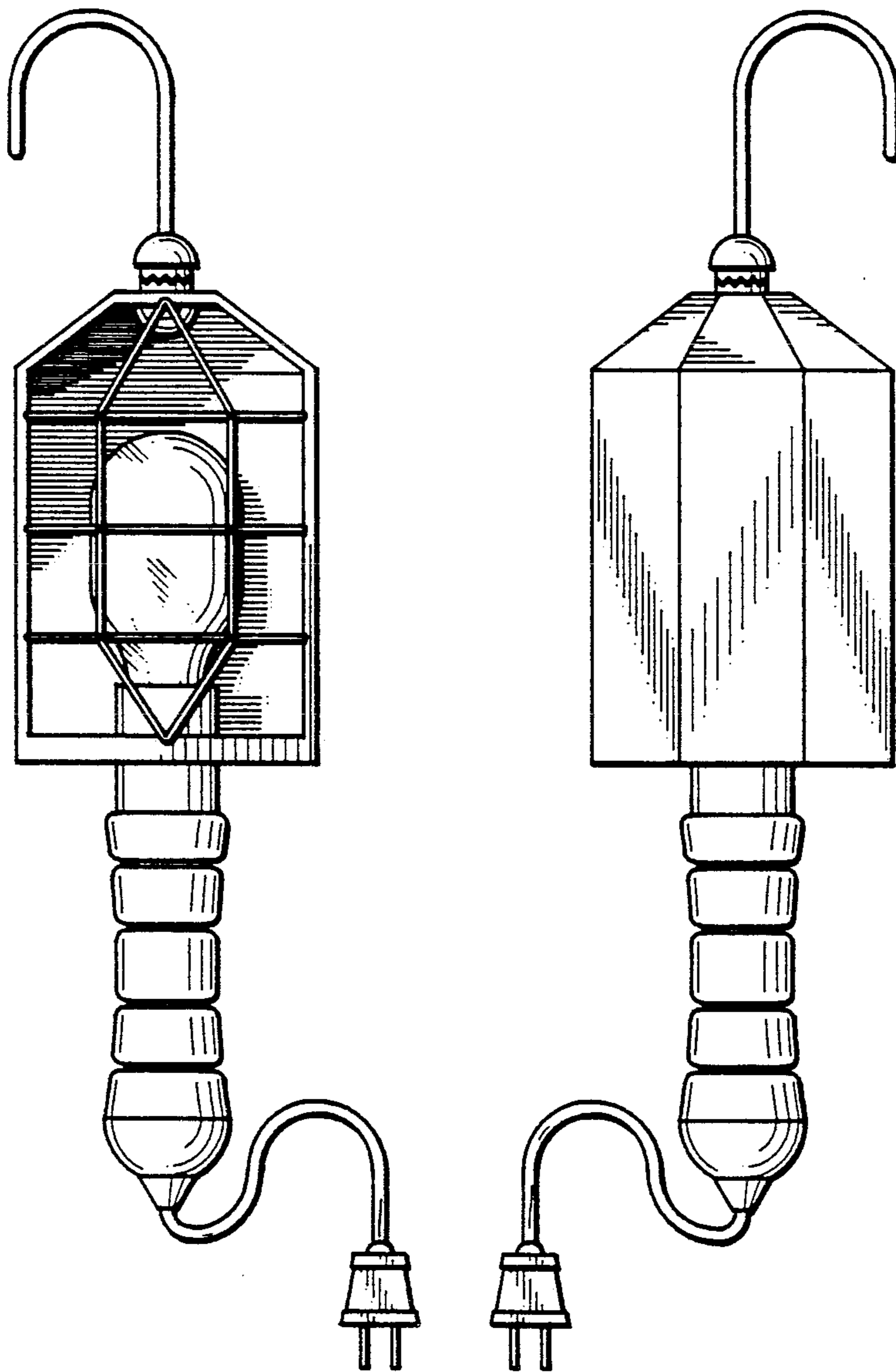
Primary Examiner—Susan J. Lucas
Attorney, Agent, or Firm—Leon Gilden

[57] CLAIM

The ornamental design for a multi-position drop light, as shown and described.

DESCRIPTION

FIG. 1 is a front elevational view of a multi-position drop light showing my new design; FIG. 2 is a rear elevational view thereof; FIG. 3 is a left side elevational view thereof; FIG. 4 is a right side elevational view thereof; FIG. 5 is a top plan view thereof; and, FIG. 6 is a bottom plan view thereof.



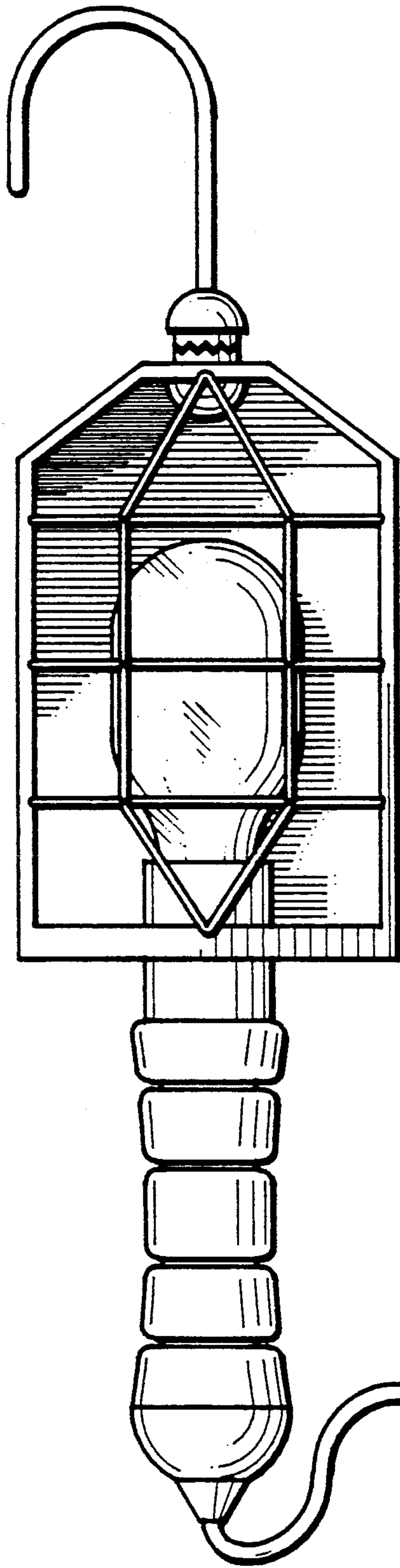


Fig. 1

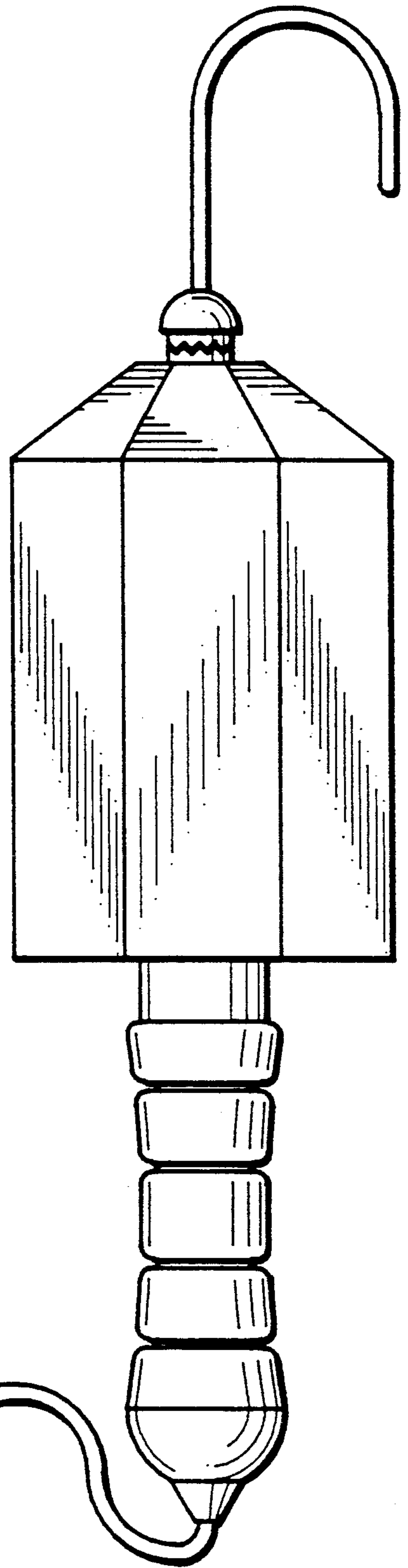


Fig. 2

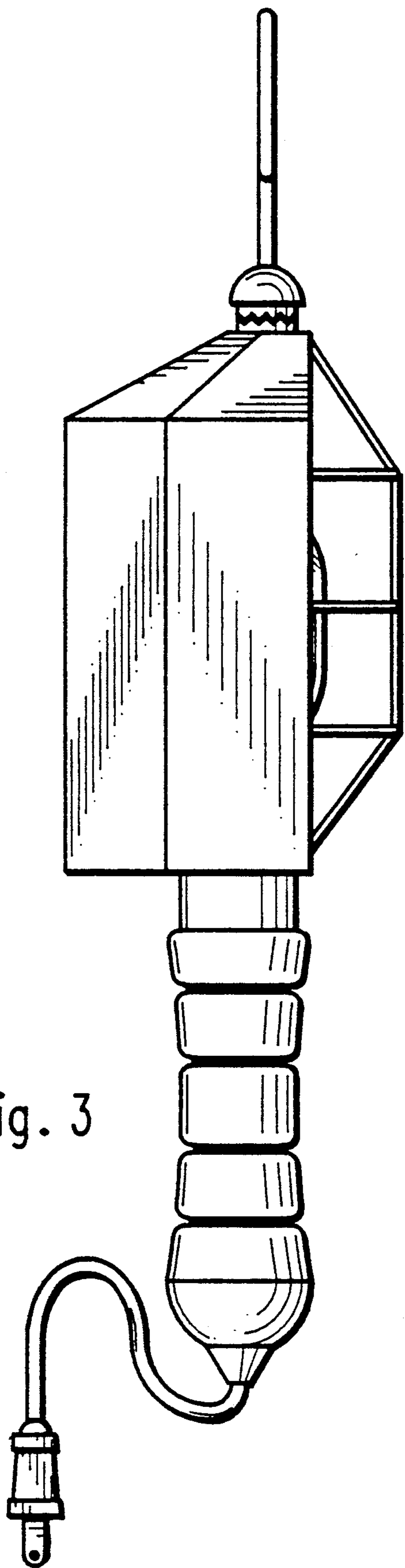


Fig. 3

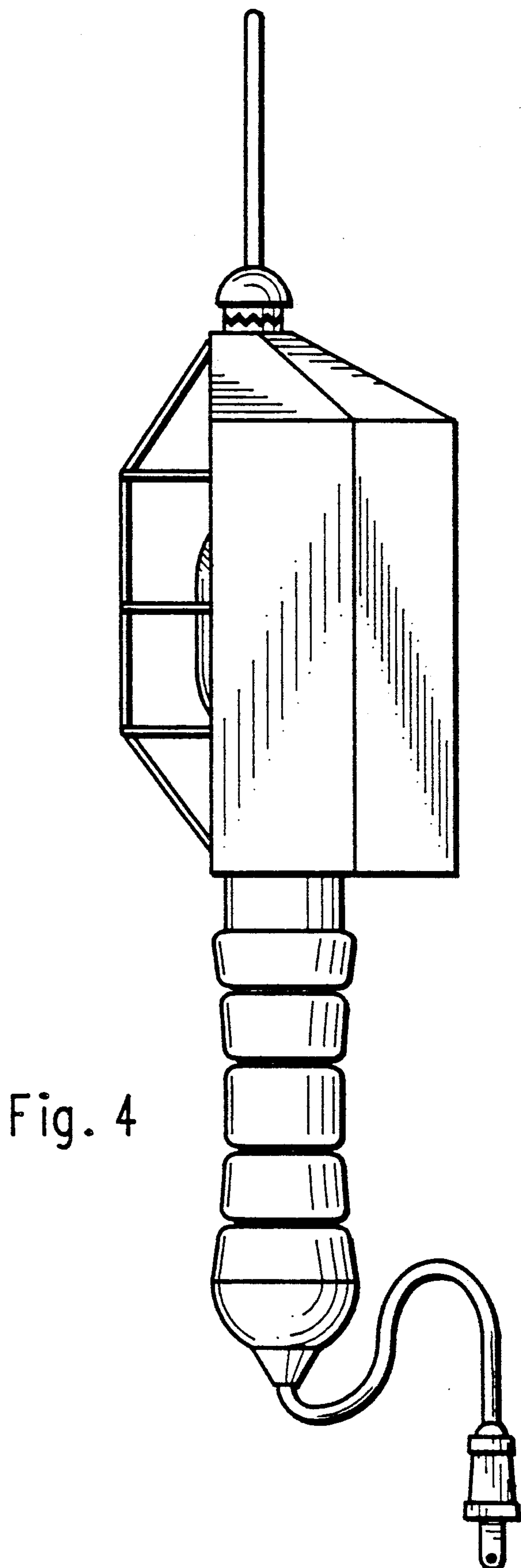


Fig. 4

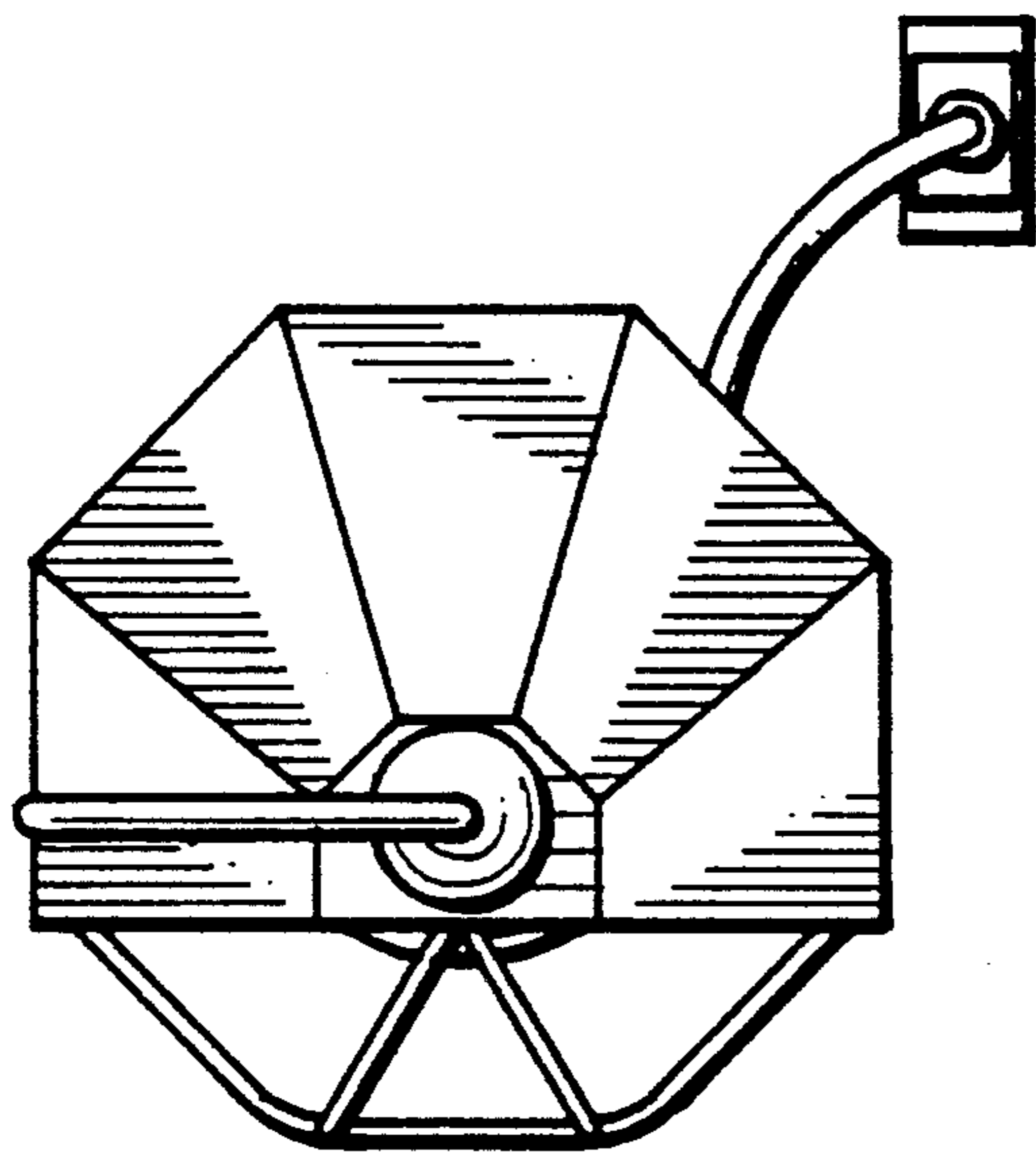


Fig. 5

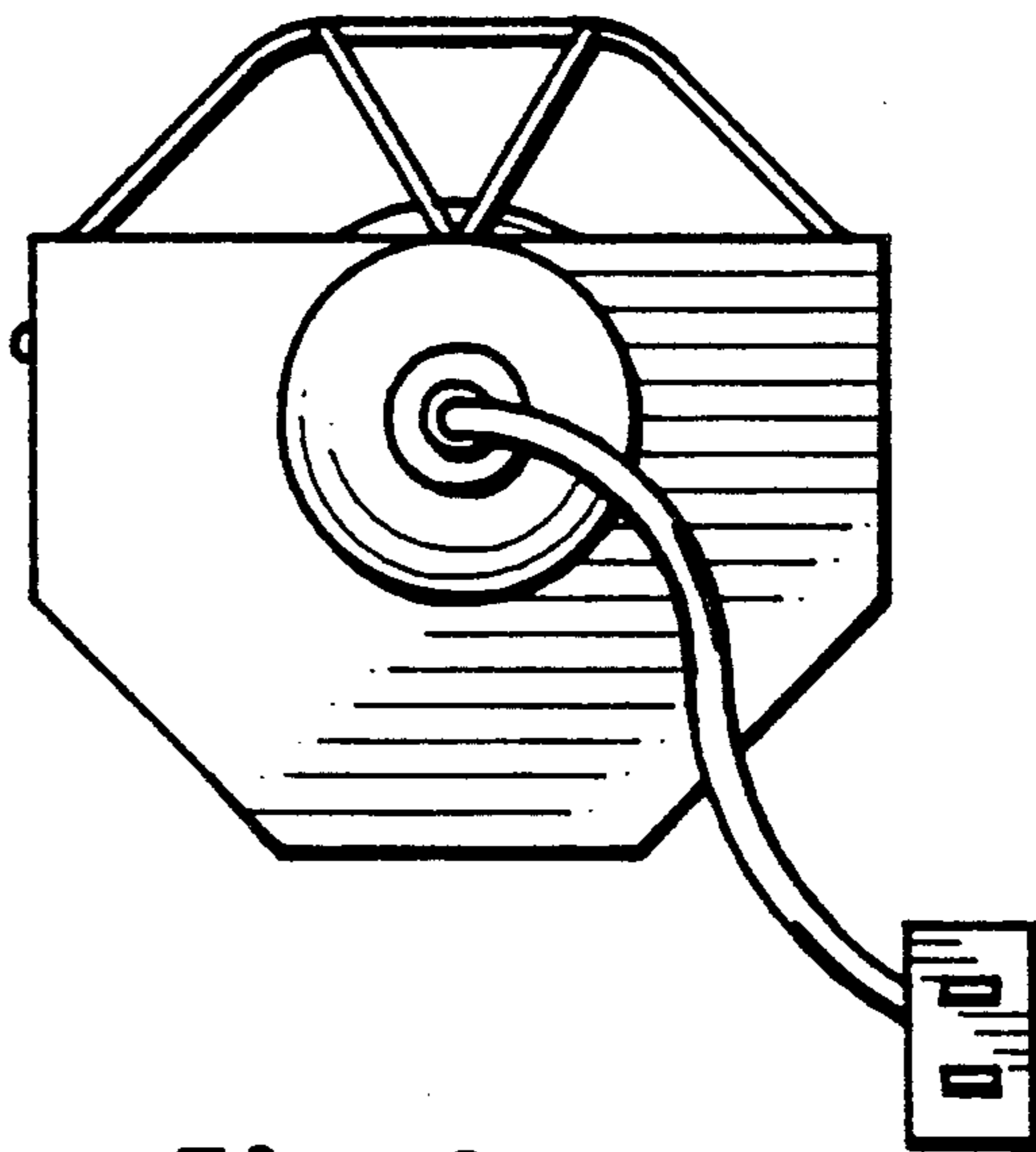


Fig. 6