

[54] SUBFRAME FOR SUPPORTING ELECTRONIC TELECOMMUNICATIONS EQUIPMENT

[75] Inventor: Rafael R. Prados, Madrid, Spain

[73] Assignee: Telefonica de Espana, S.A., Spain

[**] Term: 14 Years

[21] Appl. No.: 414,020

[22] Filed: Sep. 28, 1989

[30] Foreign Application Priority Data

Mar. 31, 1989 [ES] Spain 118563

[52] U.S. Cl. D25/124

[58] Field of Search D25/60-61, D25/119-125, 199; D8/349, 377, 381; 248/225.1, 686; 455/90, 128, 347-349

[56] References Cited

U.S. PATENT DOCUMENTS

D. 263,734 4/1982 Cunningham et al. D25/122
3,769,773 11/1973 Mochizuki 49/504

4,707,204 11/1987 Heeg 52/823
4,933,988 6/1990 Thibault 455/349

Primary Examiner—A. Hugo Word
Assistant Examiner—Doris Clark
Attorney, Agent, or Firm—Mason, Fenwick & Lawrence

[57] CLAIM

The ornamental design for a subframe for supporting electronic telecommunications equipment, as shown and described.

DESCRIPTION

FIG. 1 is a perspective view of a subframe for supporting electronic telecommunications equipment, showing my new design;

FIG. 2 is a front elevational view thereof;

FIG. 3 is a back elevational view thereof;

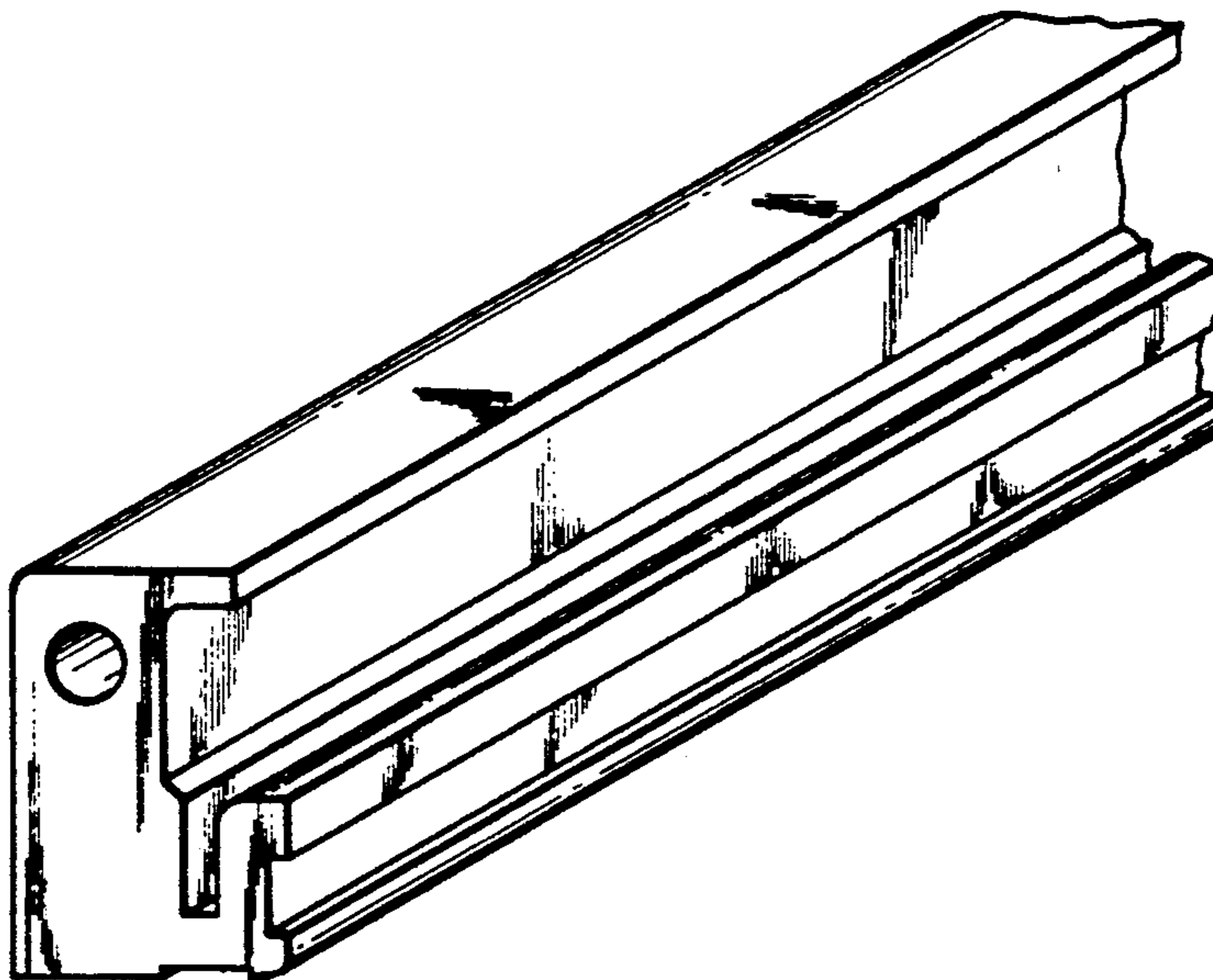
FIG. 4 is a top plan view thereof;

FIG. 5 is a bottom plan view thereof;

FIG. 6 is a left side elevational view thereof; and

FIG. 7 is a right side elevational view thereof.

The frame for supporting electronic telecommunications equipment has been broken away in the center in FIGS. 2, 3, 4, and 5 for convenience of illustration.



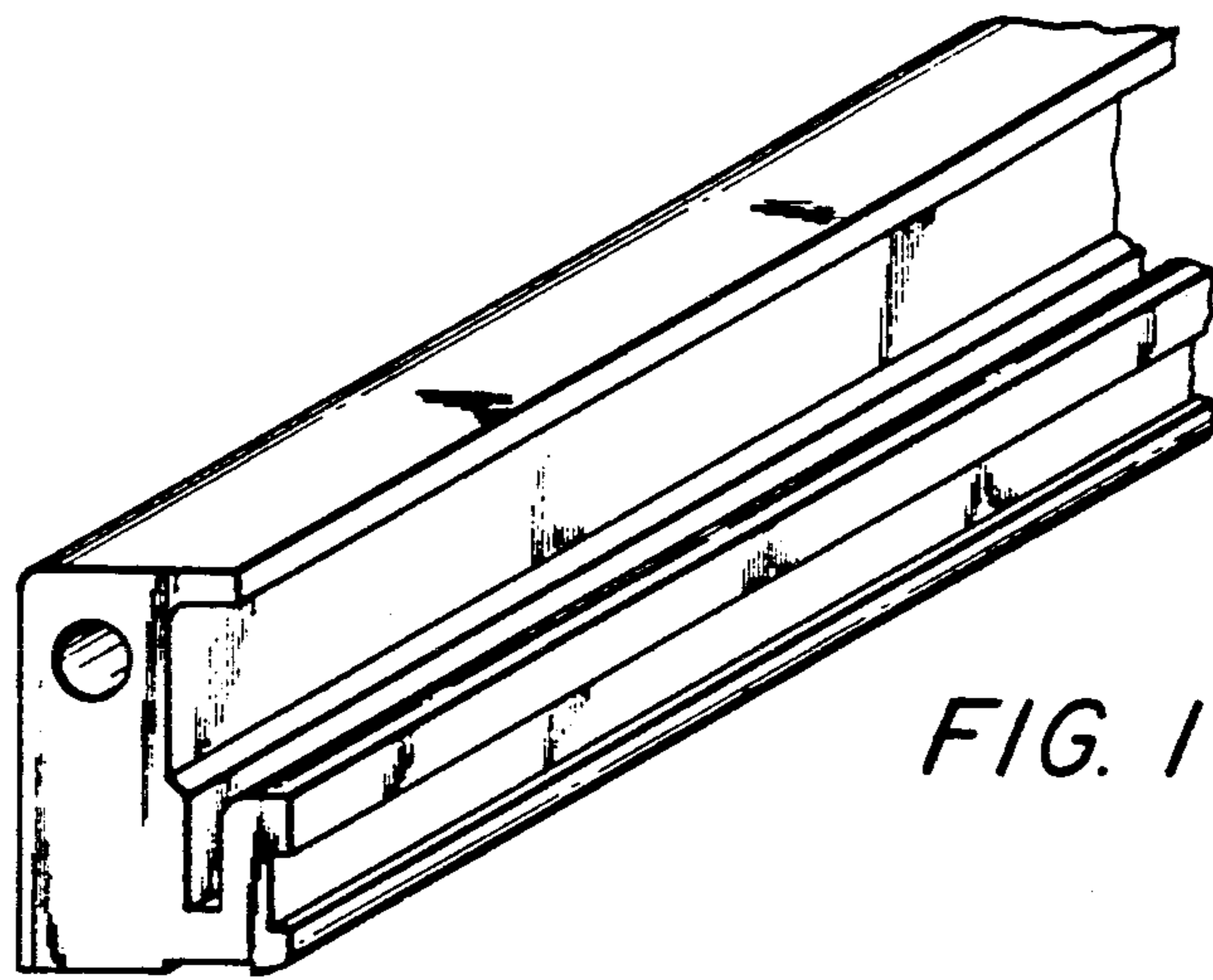


FIG. 1

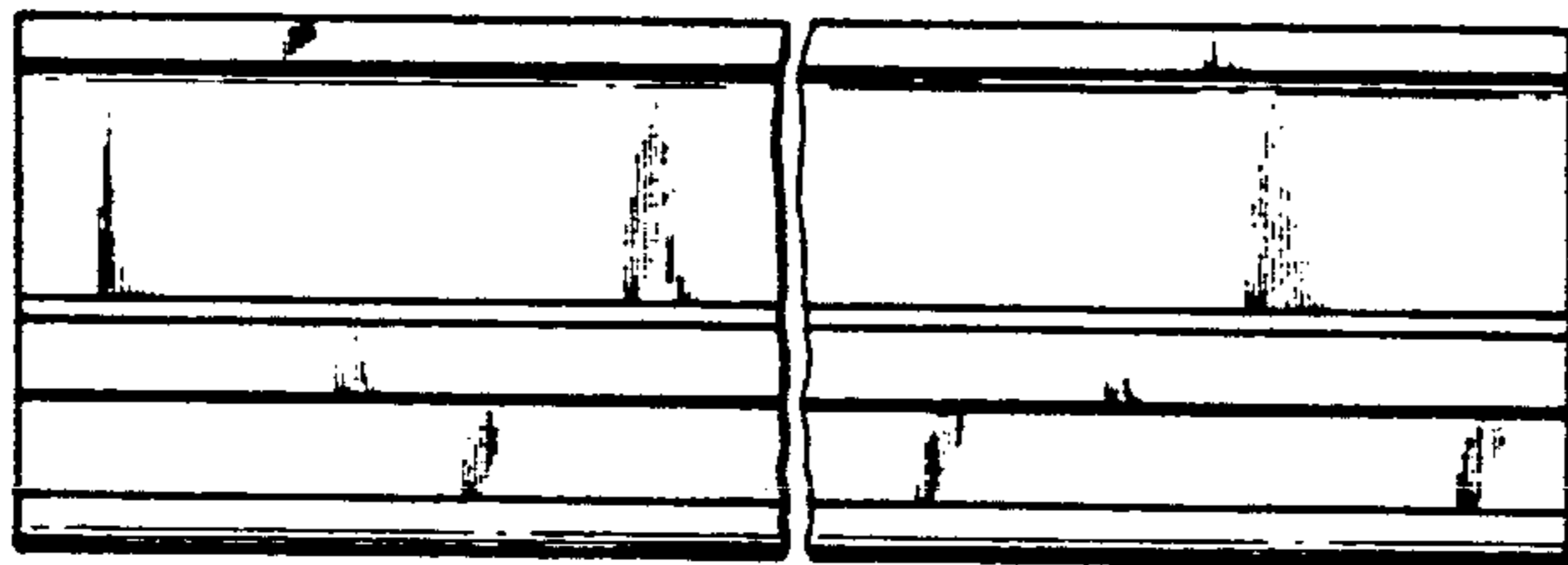


FIG. 2

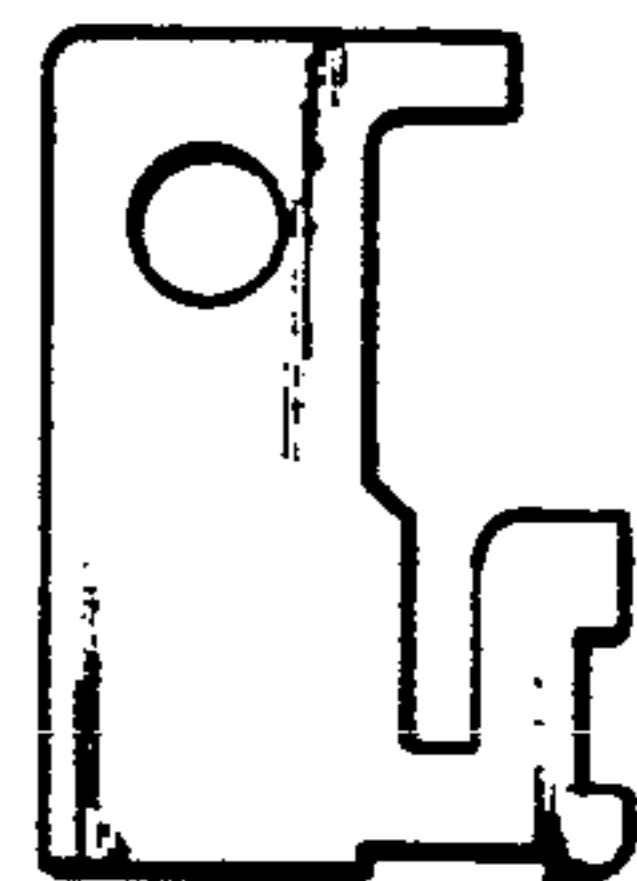


FIG. 6

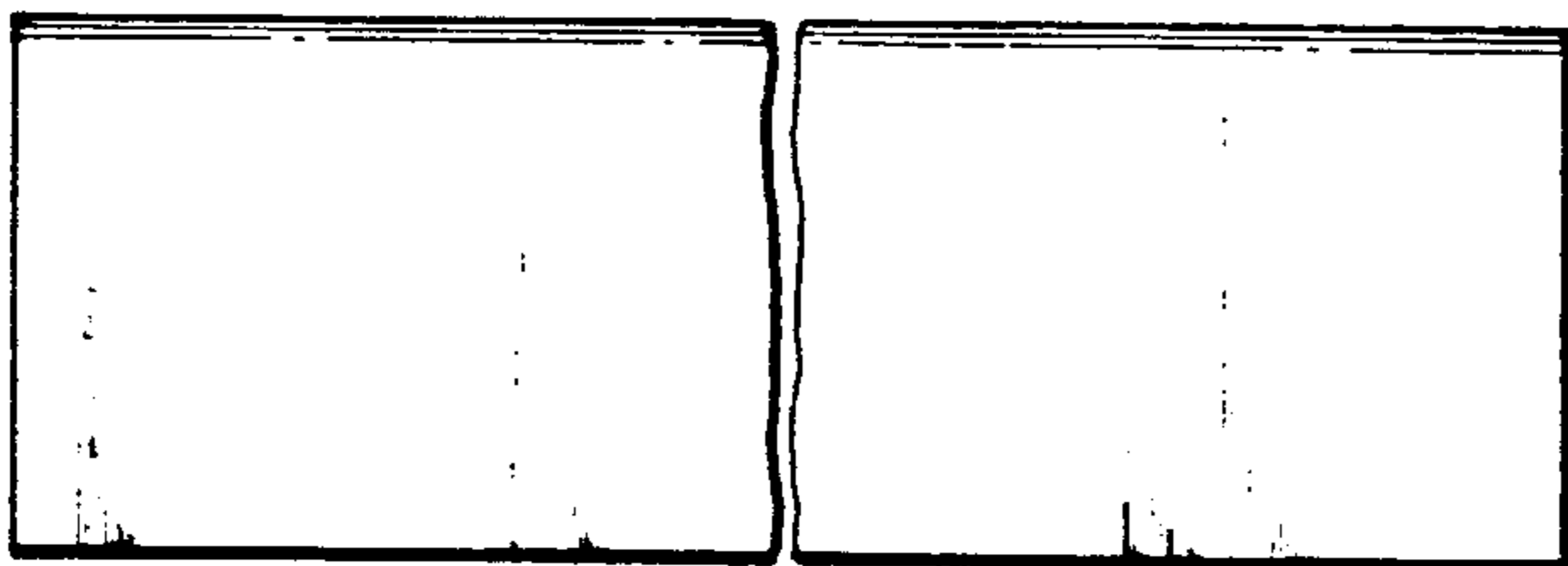


FIG. 3

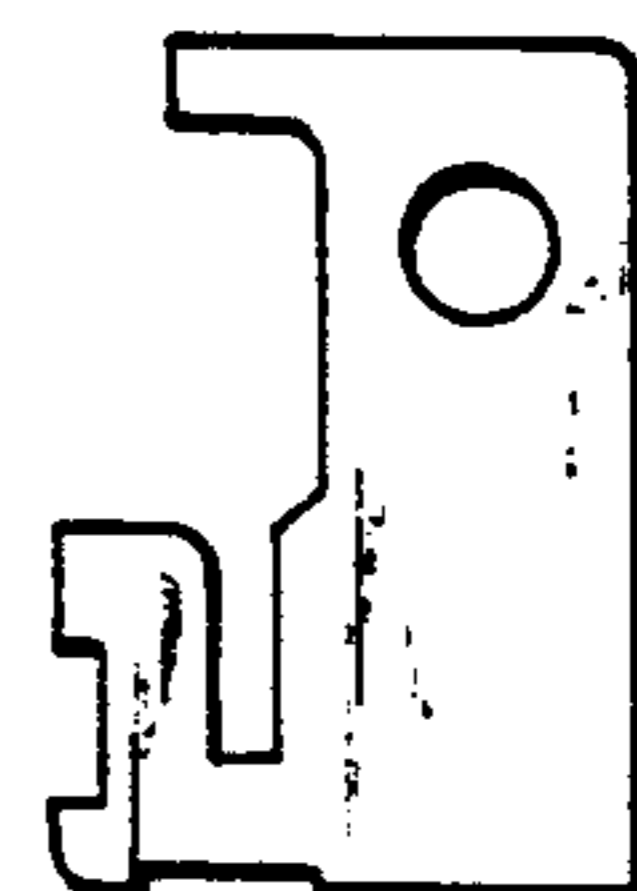


FIG. 7

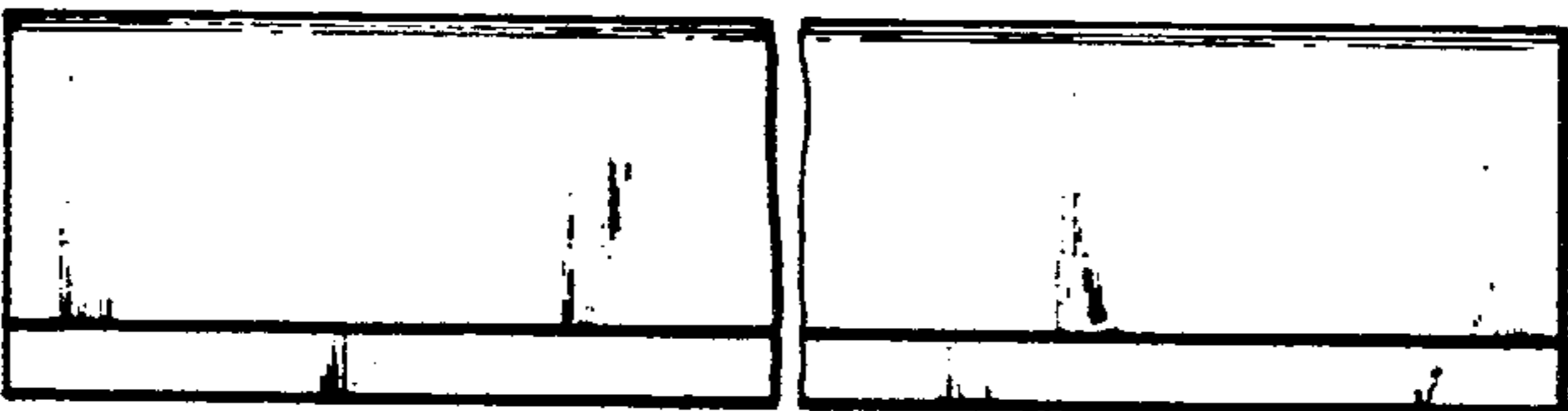


FIG. 4

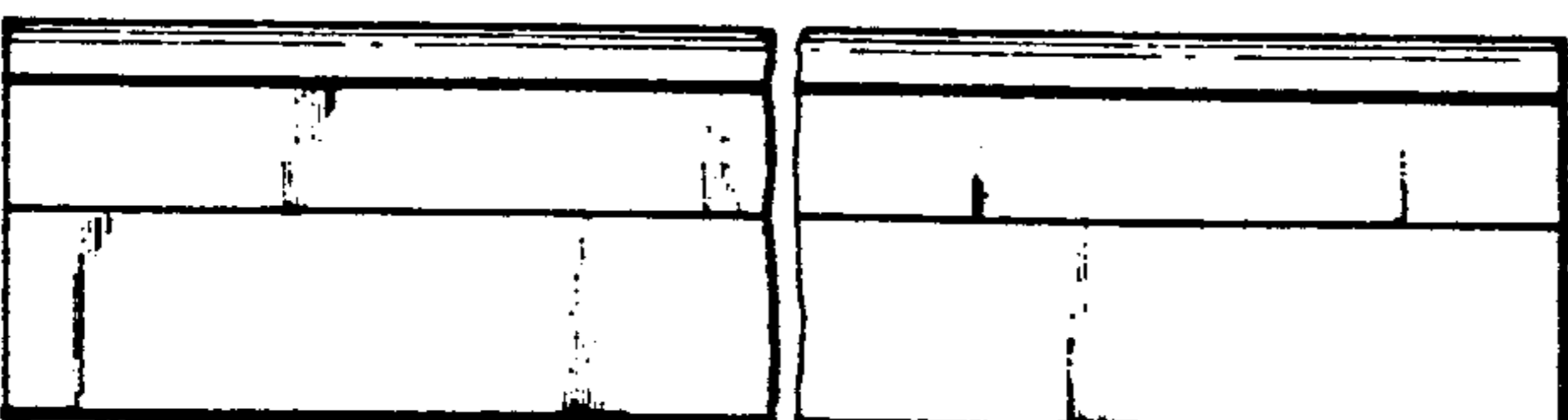


FIG. 5