

[54] **CONTAINER FOR USE IN IMMUNOASSAY**

[75] **Inventor: Robert A. Moir, Le Vaud, Switzerland**

[73] **Assignee: Serono Diagnostics Partners, Boston, Mass.**

[\*\*] **Term: 14 Years**

[21] **Appl. No.: 369,930**

[22] **Filed: Jun. 22, 1989**

[30] **Foreign Application Priority Data**

Jan. 3, 1989 [GB] United Kingdom ..... 1056092

[52] **U.S. Cl. .... D24/224**

[58] **Field of Search ..... D24/216, 224; 422/63, 422/64, 67, 68, 72, 73, 100-104**

[56] **References Cited**

**U.S. PATENT DOCUMENTS**

D. 222,352 10/1971 Ferro et al. .... D24/224  
D. 249,708 9/1978 Smith et al. .... D24/224  
D. 287,638 1/1987 Moore et al. .... D24/224  
D. 291,730 9/1987 Kelln et al. .... D24/224  
D. 303,428 9/1989 Wada et al. .... D24/224

*Primary Examiner—Stella Reid*

*Attorney, Agent, or Firm—Stephen P. Williams*

[57] **CLAIM**

The ornamental design for a container for use in immunoassay, as shown.

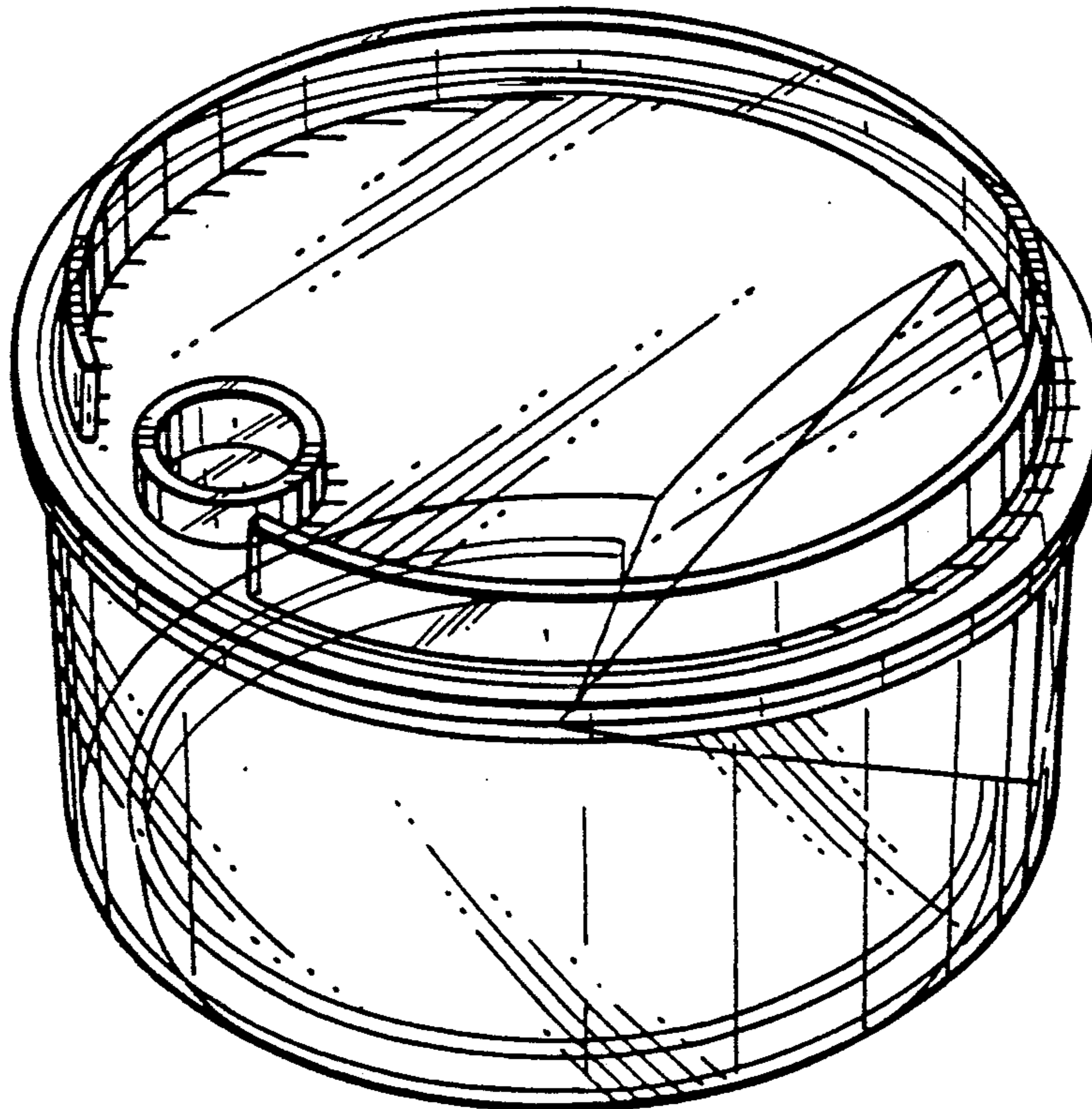
**DESCRIPTION**

FIG. 1 is a top perspective view of a container for use in immunoassay, showing my new design;

FIG. 2 is a bottom perspective view thereof;

FIG. 3 is a top plan view thereof; and

FIG. 4 is a bottom plan view thereof.



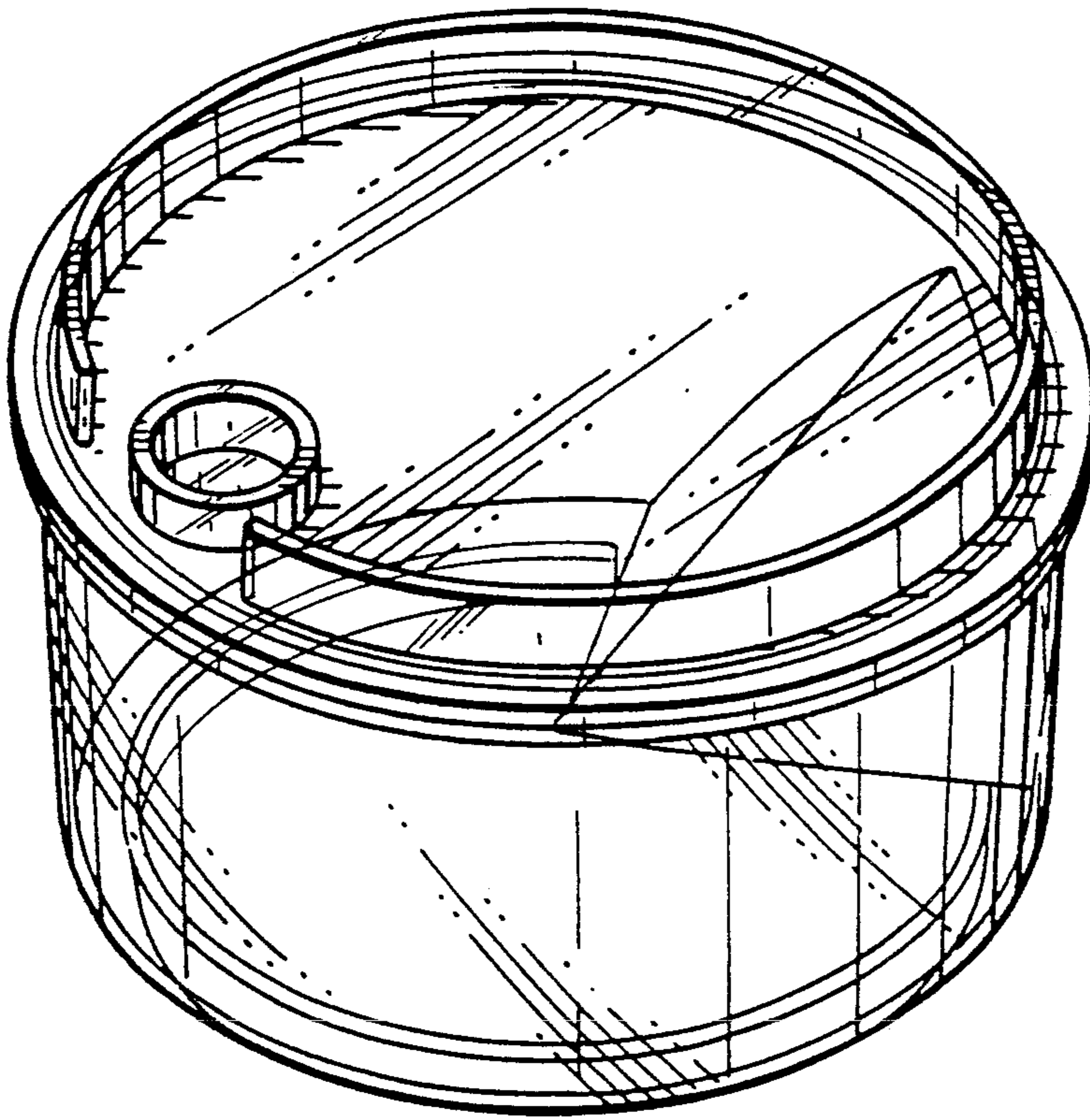


FIG. 1

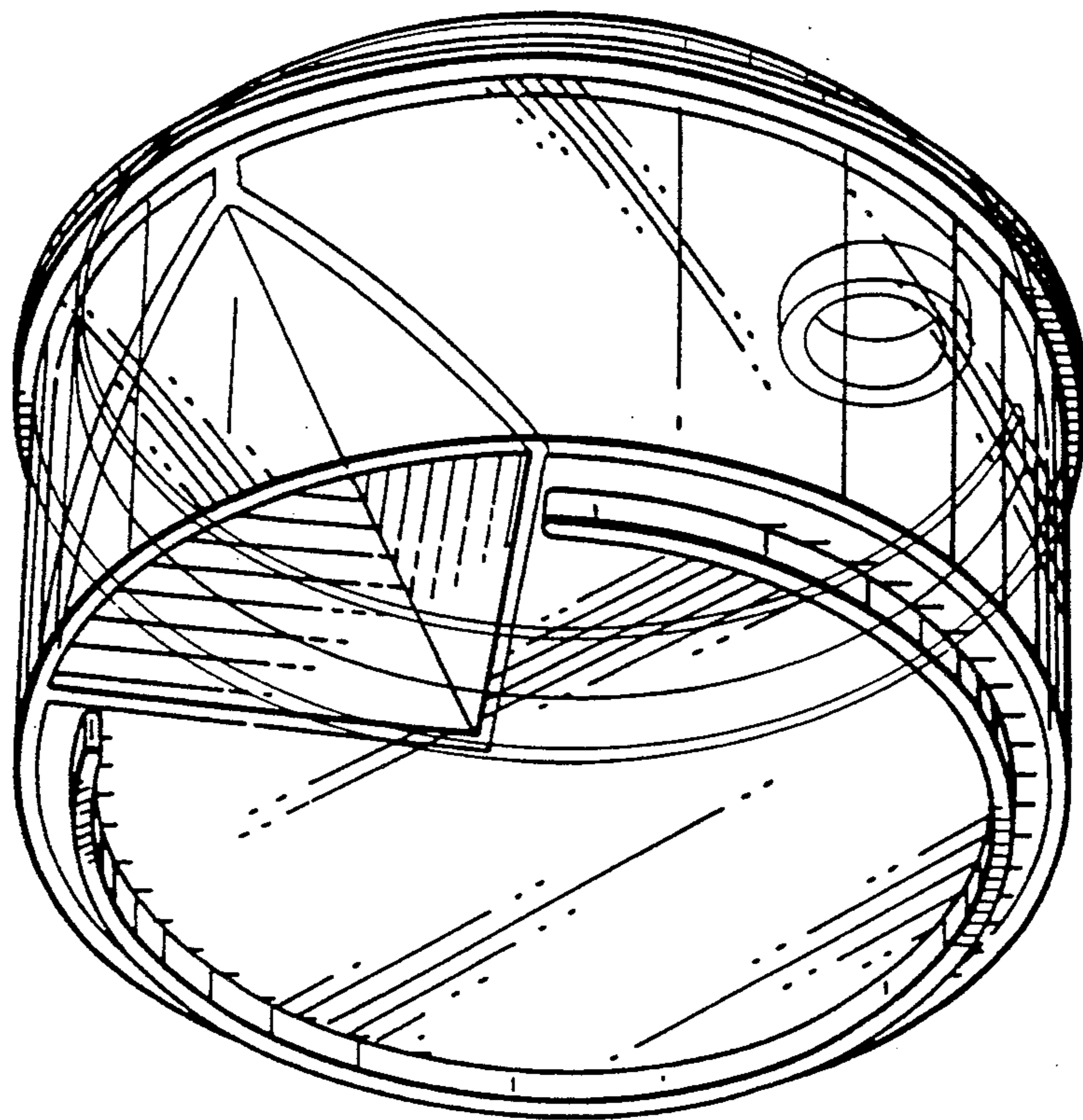


FIG. 2

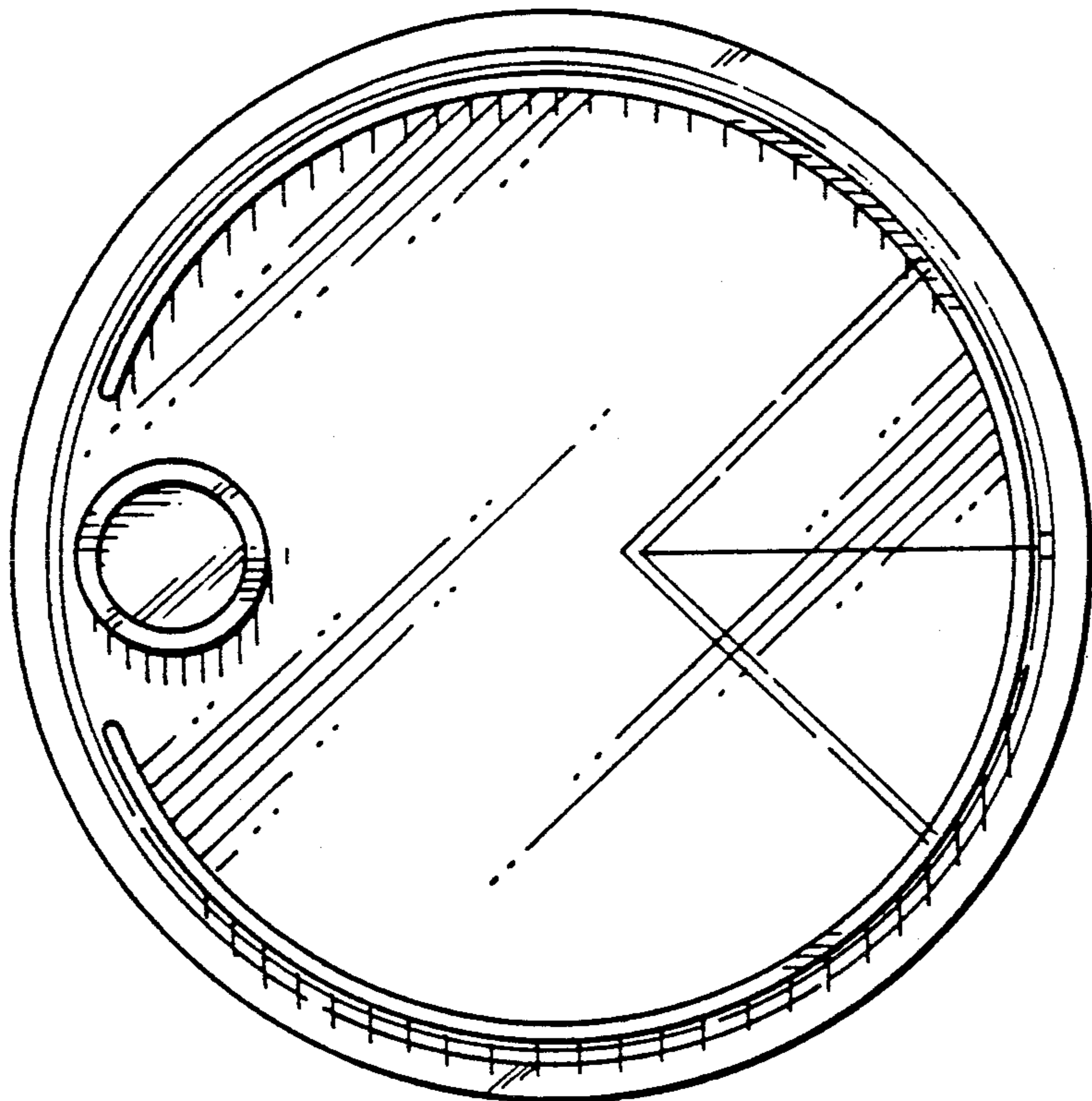


FIG. 3

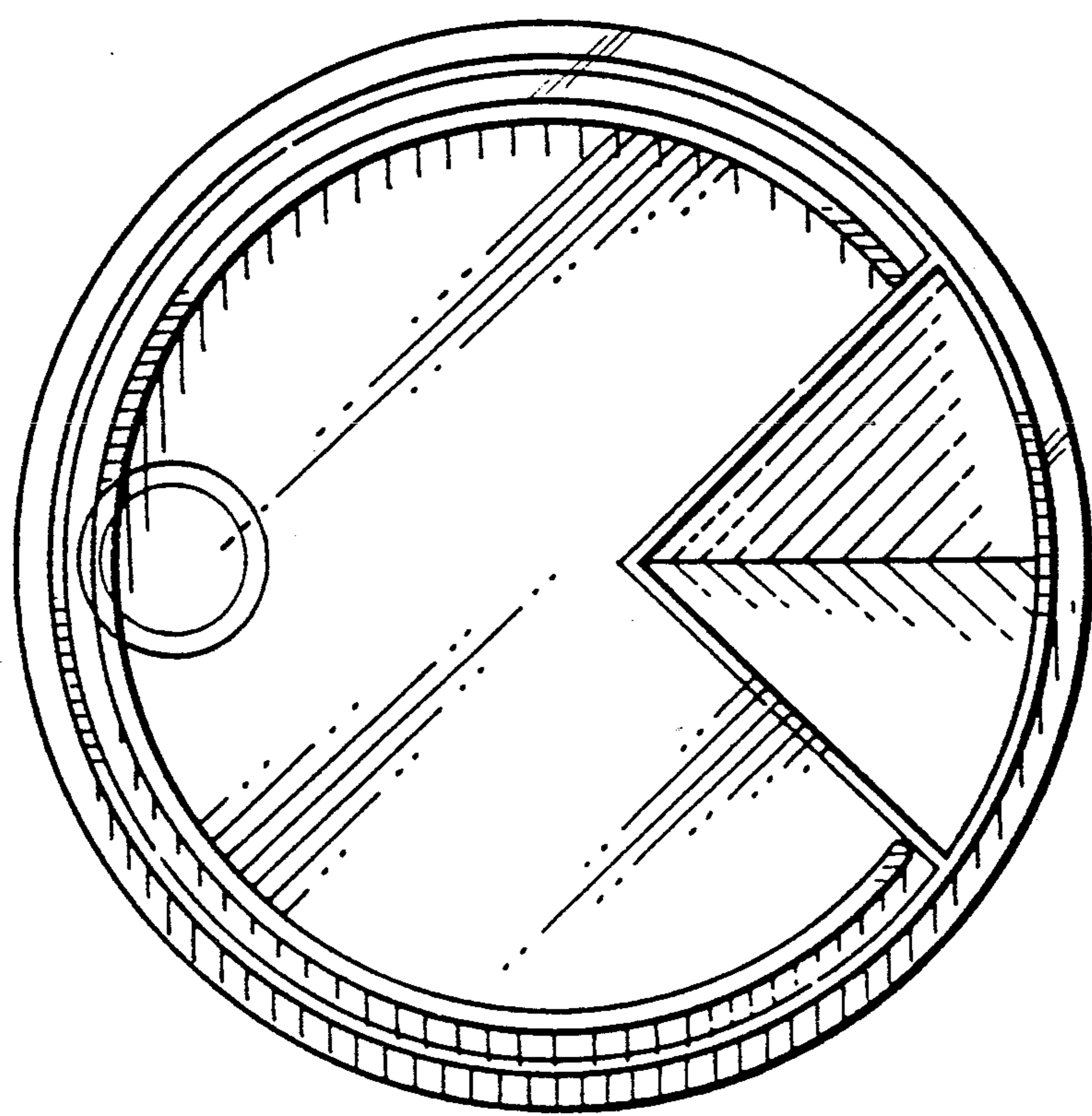


FIG. 4