

# United States Patent [19]

Markle et al.

[11] Patent Number: **Des. 322,322**

[45] Date of Patent: **\*\* Dec. 10, 1991**

[54] **LAB MIXER**

[75] Inventors: **Stephen L. Markle, Rochester;**  
**William F. Hutchings, Fairport;**  
**Daniel J. Bentley, Rochester, all of**  
**N.Y.**

[73] Assignee: **General Signal Corporation,**  
**Stamford, Conn.**

[\*\*] Term: **14 Years**

[21] Appl. No.: **247,126**

[22] Filed: **Sep. 20, 1988**

[52] U.S. Cl. .... **D24/220**

[58] Field of Search ..... **D24/8, 23, 111, 108,**  
**D24/107; D7/376, 378, 386; 366/129, 241, 244,**  
**249, 251, 254, 261, 282, 343, 344**

[56] **References Cited**

### U.S. PATENT DOCUMENTS

D. 290,393 6/1987 Stevens et al. .... D24/8

D. 290,394 6/1987 Stevens et al. .... D24/8

D. 290,395 6/1987 Stevens et al. .... D24/8

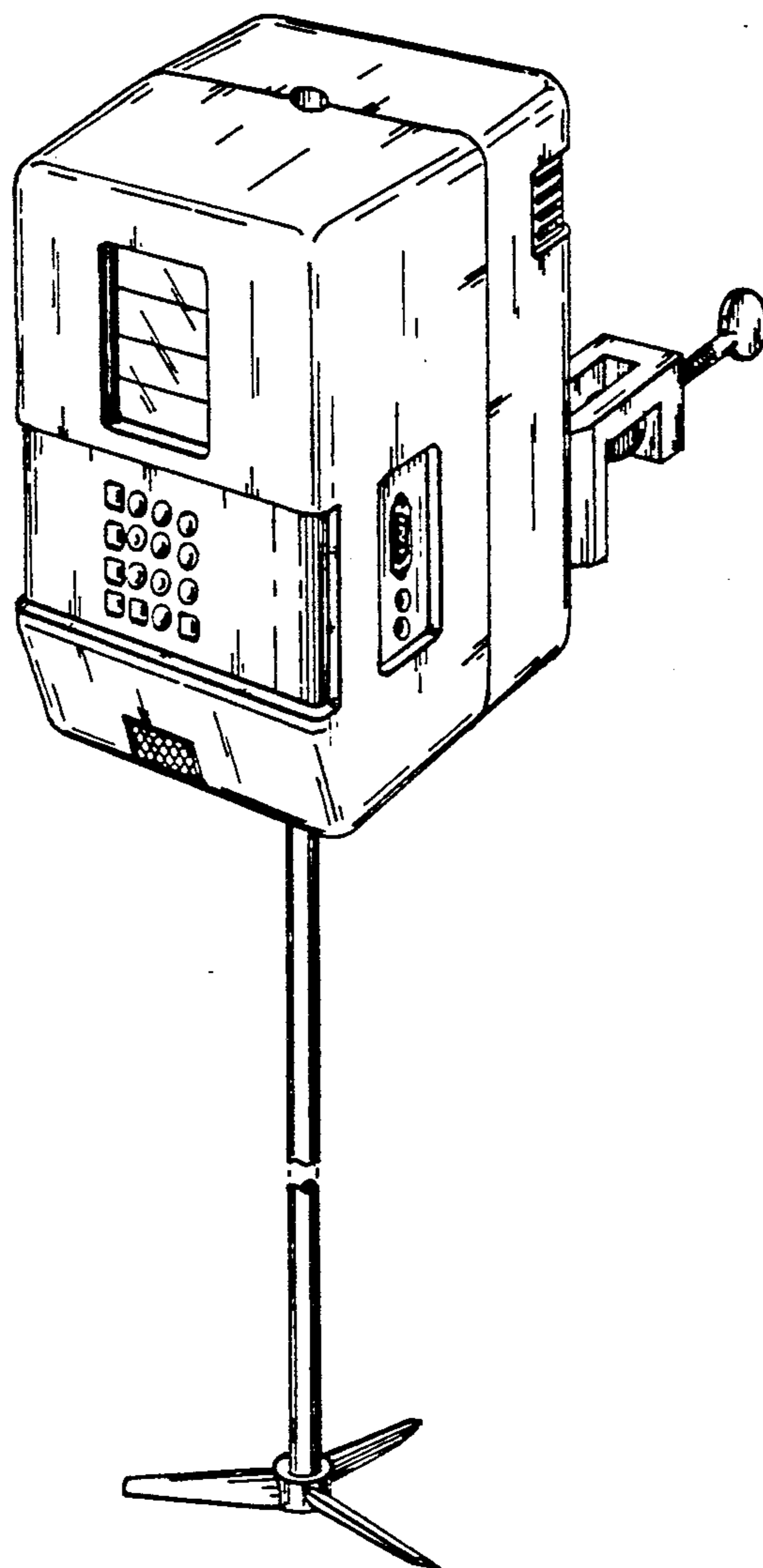
*Primary Examiner*—Wallace R. Burke  
*Assistant Examiner*—Marcus Jackson  
*Attorney, Agent, or Firm*—Martin Lukacher; Milton E. Kleinman

### [57] CLAIM

The ornamental design for lab mixer, as shown and described.

### DESCRIPTION

FIG. 1 is a front perspective view of a lab mixer showing my new design, with the shaft broken in the center to indicate indeterminate length;  
FIG. 2 is a rear perspective view thereof;  
FIG. 3 is a front elevational view thereof;  
FIG. 4 is a right side elevational view thereof;  
FIG. 5 is a rear elevational view thereof;  
FIG. 6 is a left side elevational view thereof;  
FIG. 7 is a top plan view thereof;  
FIG. 8 is a bottom plan view thereof.



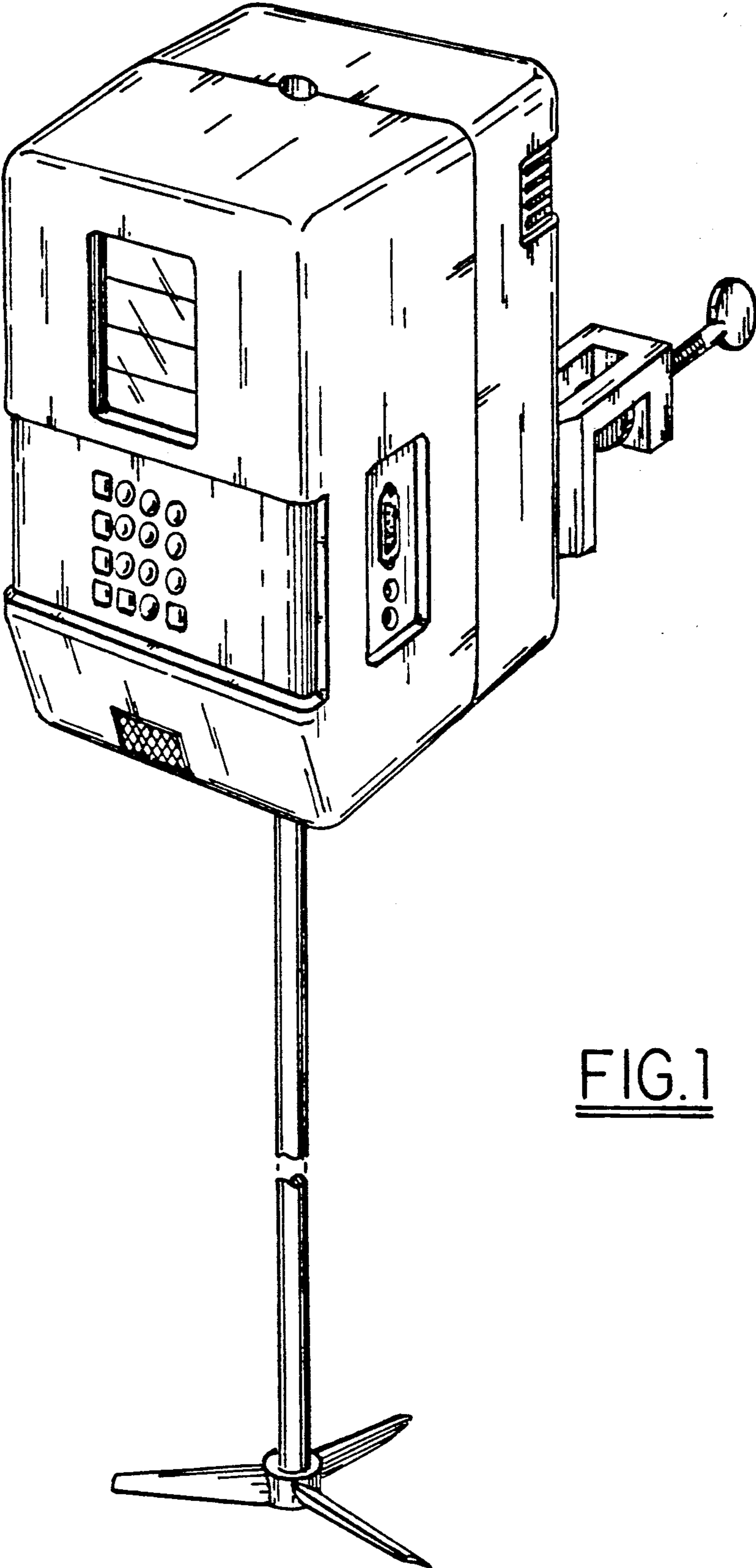


FIG. 1

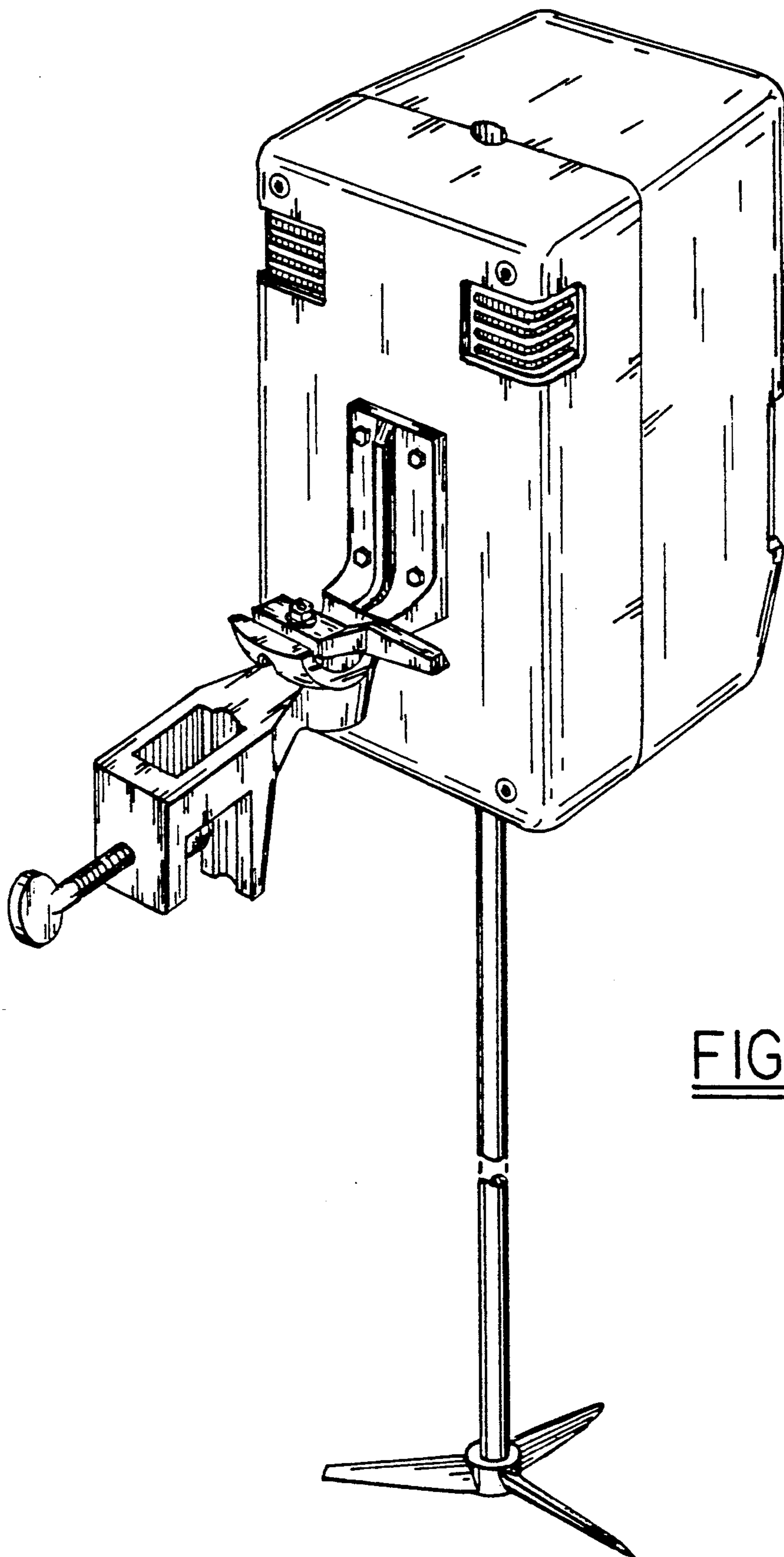


FIG. 2

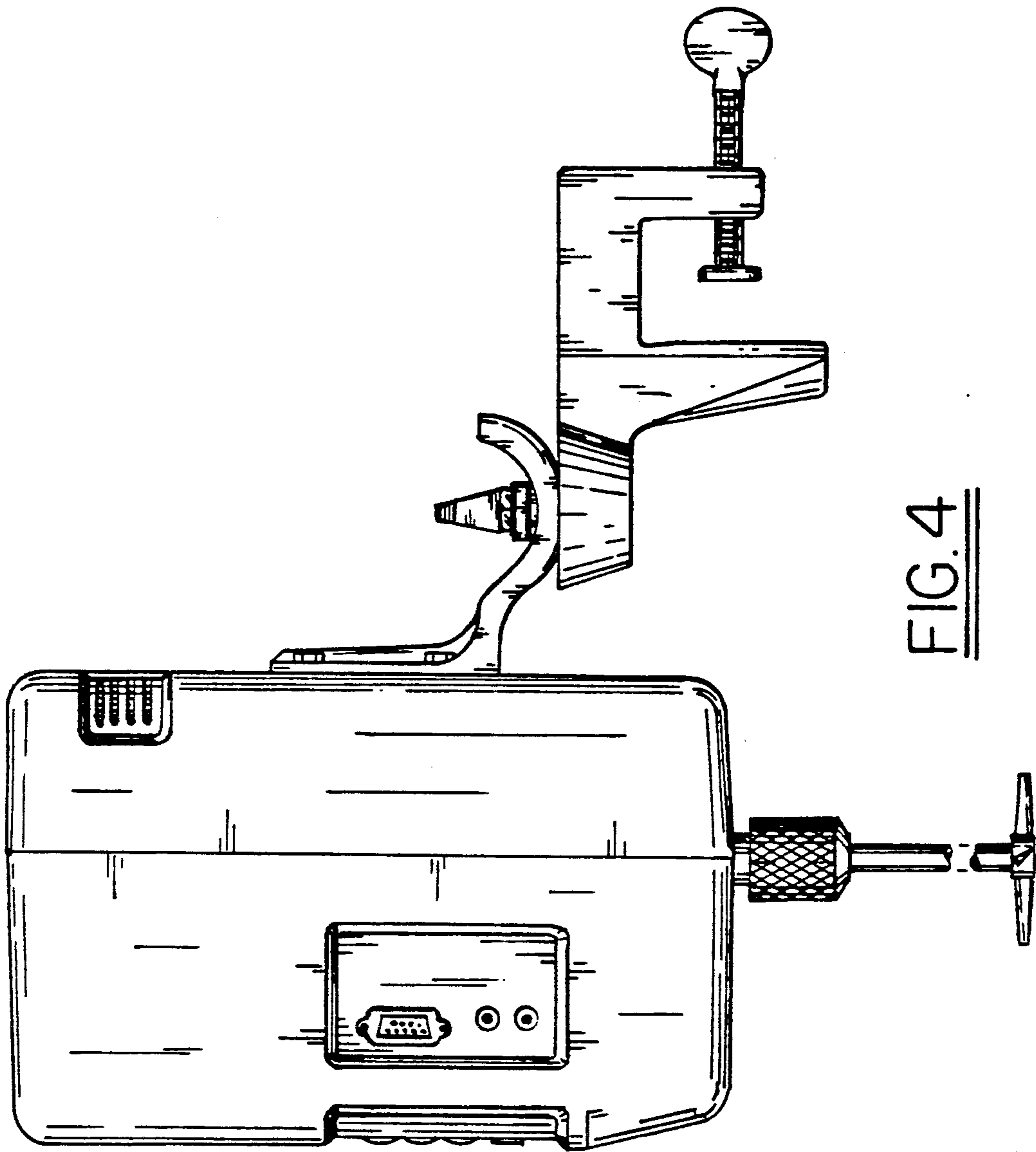


FIG. 3

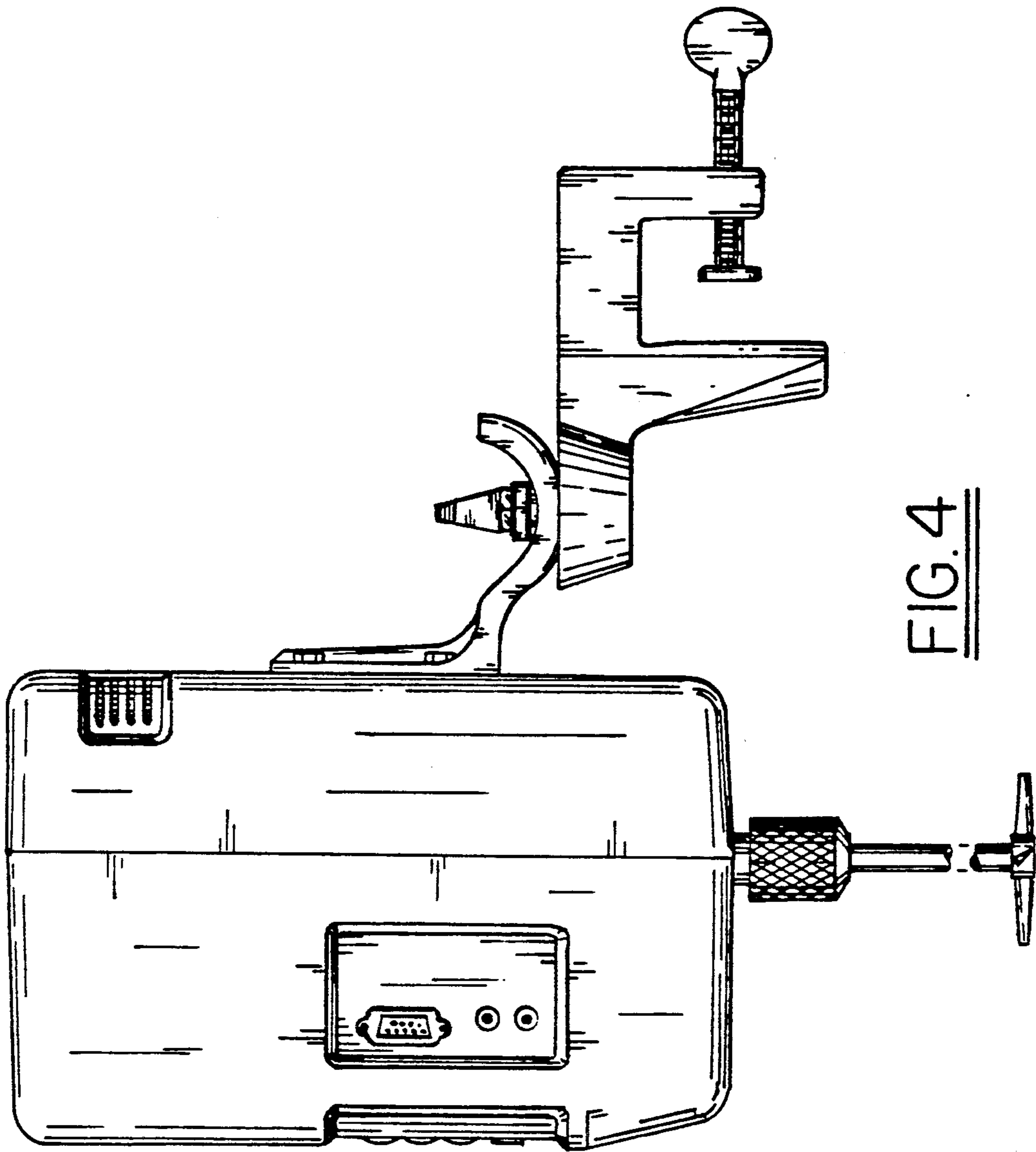


FIG. 4



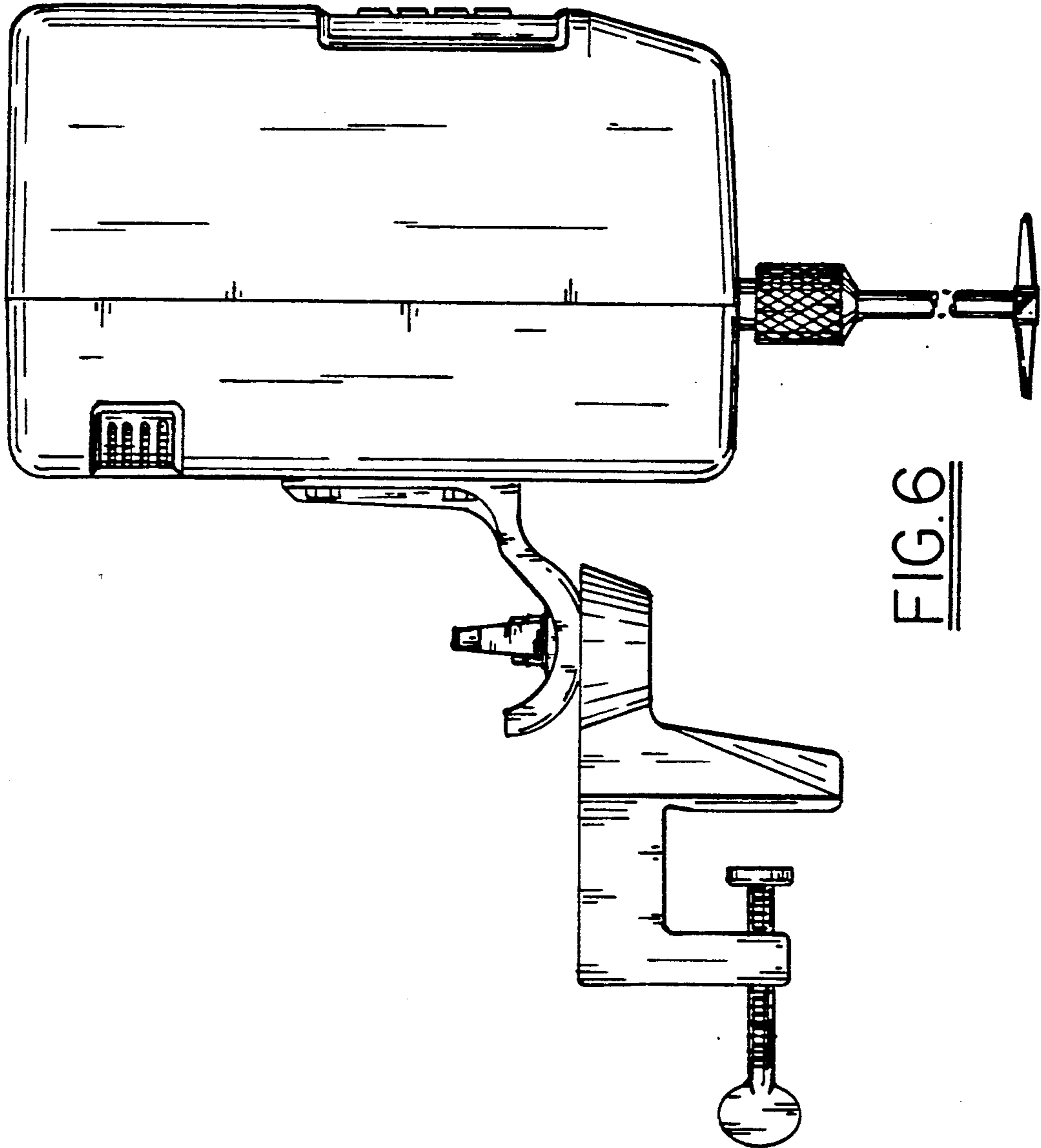


FIG. 5

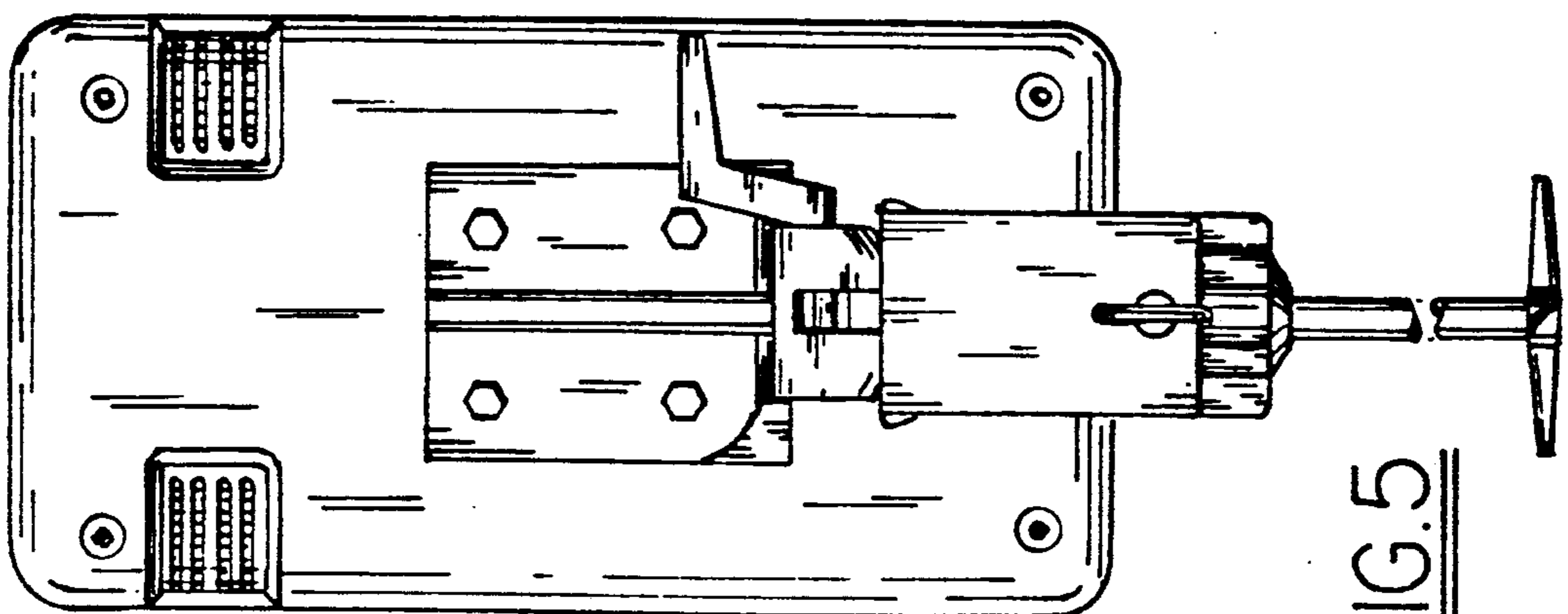


FIG. 6

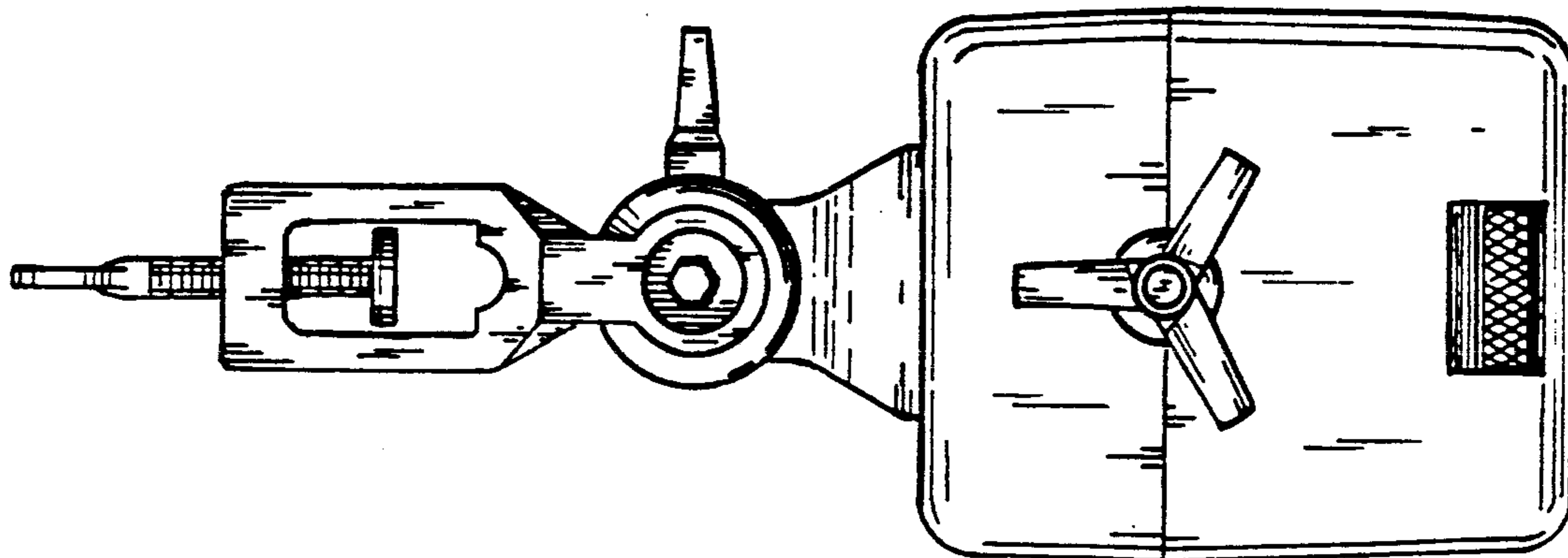


FIG. 8

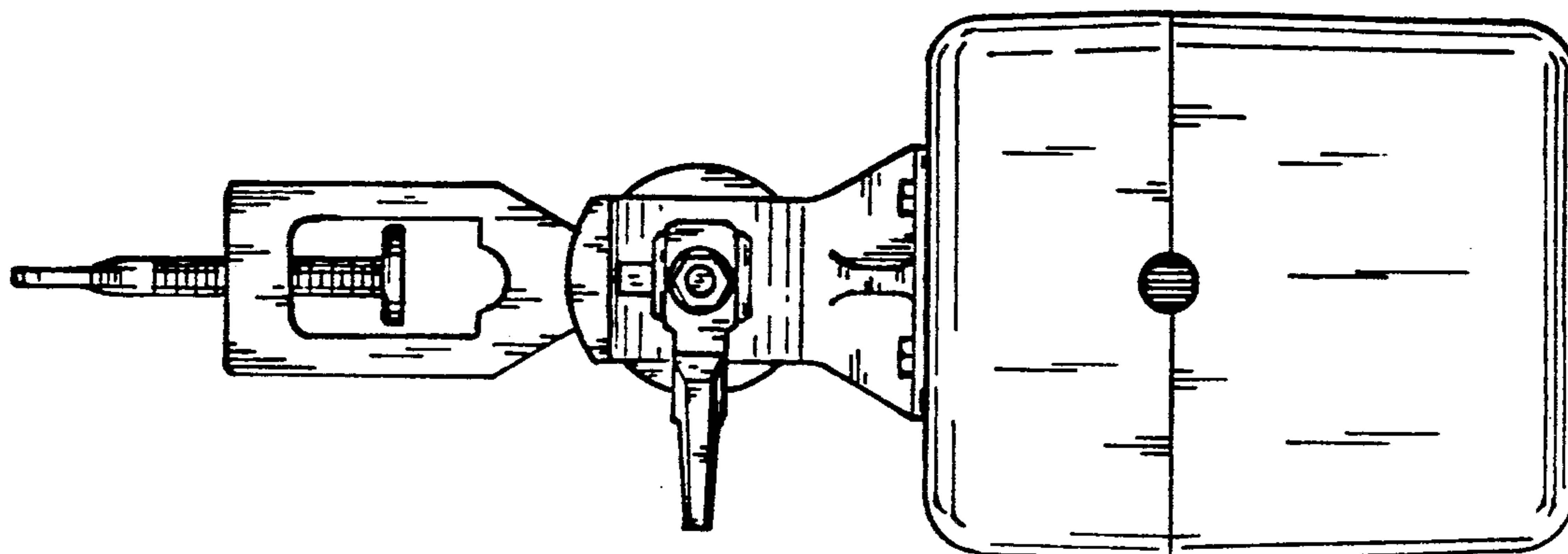


FIG. 7