

[54] NASAL MANIFOLD FOR TREATMENT OF SNORING SICKNESS

[75] Inventor: Colin E. Sullivan, Birchgrove, Australia

[73] Assignee: Baxter Centre For Medical Research Pty. Limited, North Ryde, Australia

[\*\*] Term: 14 Years

[21] Appl. No.: 329,492

[22] Filed: Mar. 28, 1989

[30] Foreign Application Priority Data

Sep. 30, 1988 [AU] Australia ..... 3306/88  
[52] U.S. Cl. .... D24/164  
[58] Field of Search ..... D24/99, 62, 34; 128/848, 207.18, 205.25, DIG. 26; D29/7

[56] References Cited

U.S. PATENT DOCUMENTS

4,151,843	5/1979	Brekke et al. ....	128/205.25
4,782,832	11/1988	Trimble et al. ....	128/207.18
4,919,128	4/1990	Kopala et al. ....	128/207.18
4,944,310	7/1990	Sullivan .....	128/207.18 X

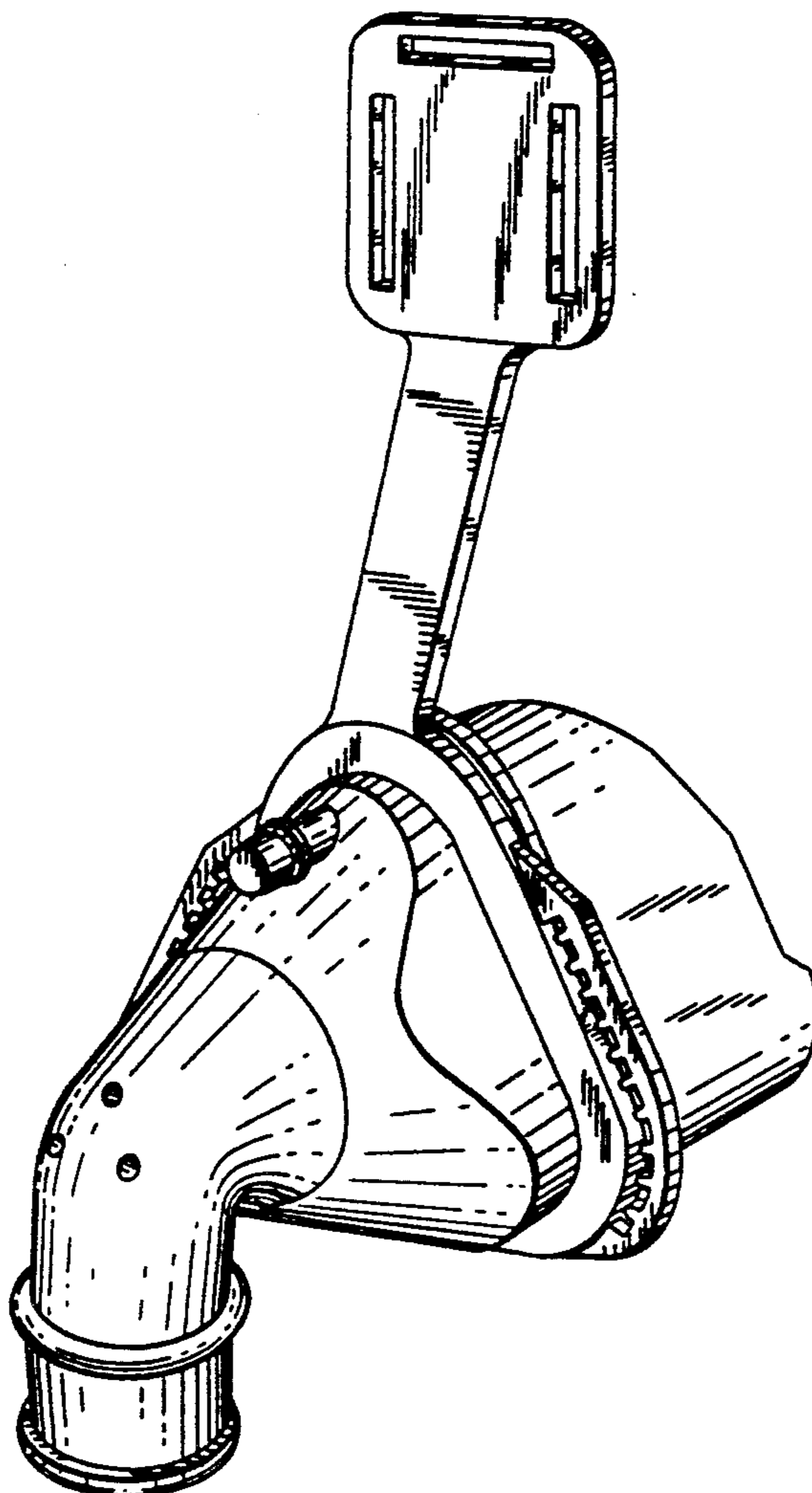
Primary Examiner—Stella Reid  
Attorney, Agent, or Firm—Ladas & Parry

[57] CLAIM

The ornamental design for a nasal manifold for treatment of snoring sickness, as shown.

DESCRIPTION

FIG. 1 is a perspective view of a nasal manifold for treatment of snoring sickness showing my new design; FIG. 2 is a front elevational view thereof; FIG. 3 is a top plan view thereof; FIG. 4 is a bottom plan view thereof; FIG. 5 is a rear elevational view thereof; FIG. 6 is a left side elevational view thereof, the right side elevational view being a mirror image, and FIG. 7 is a cross-sectional view taken along line VII—VII of FIG. 2.



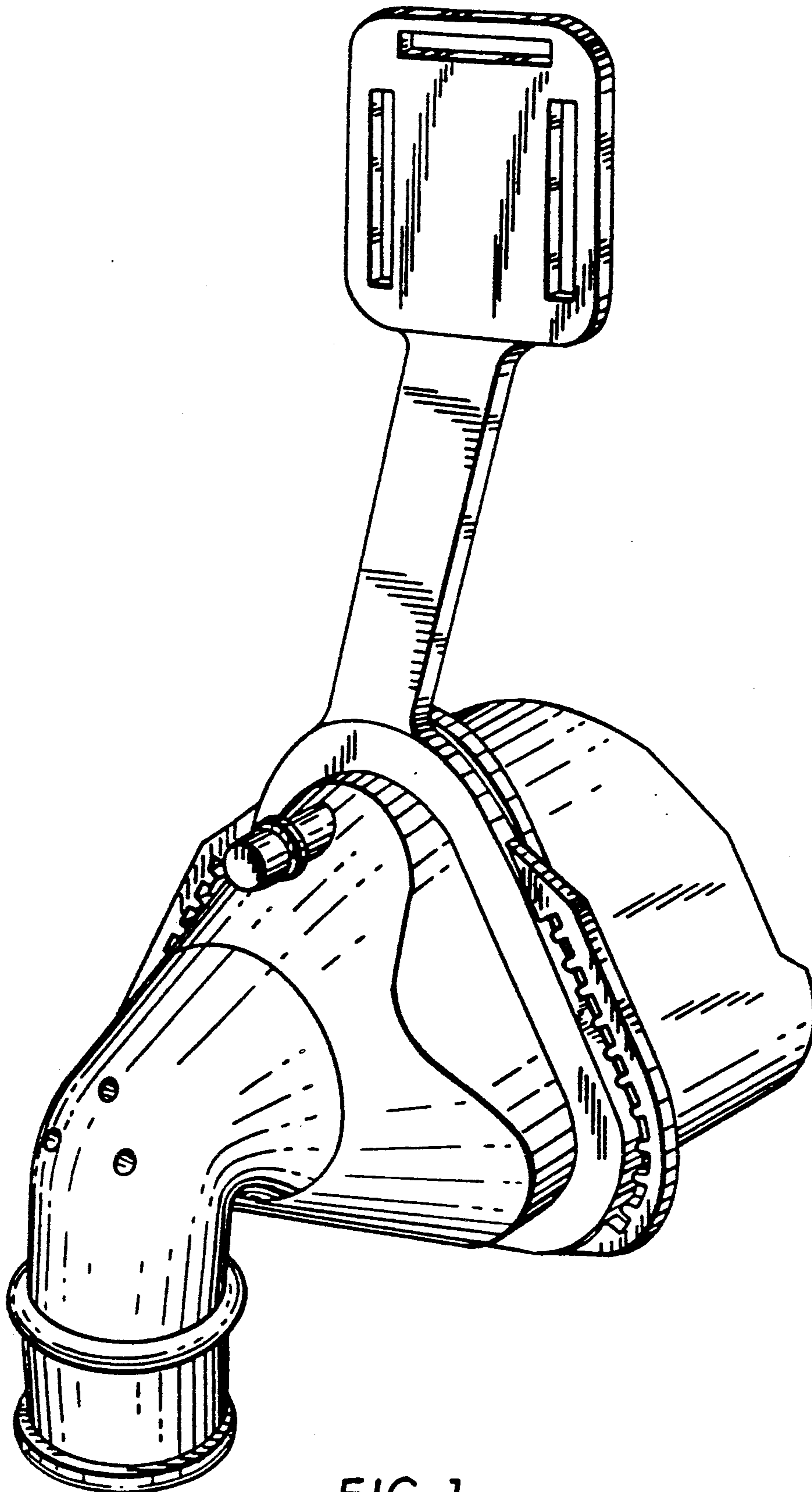
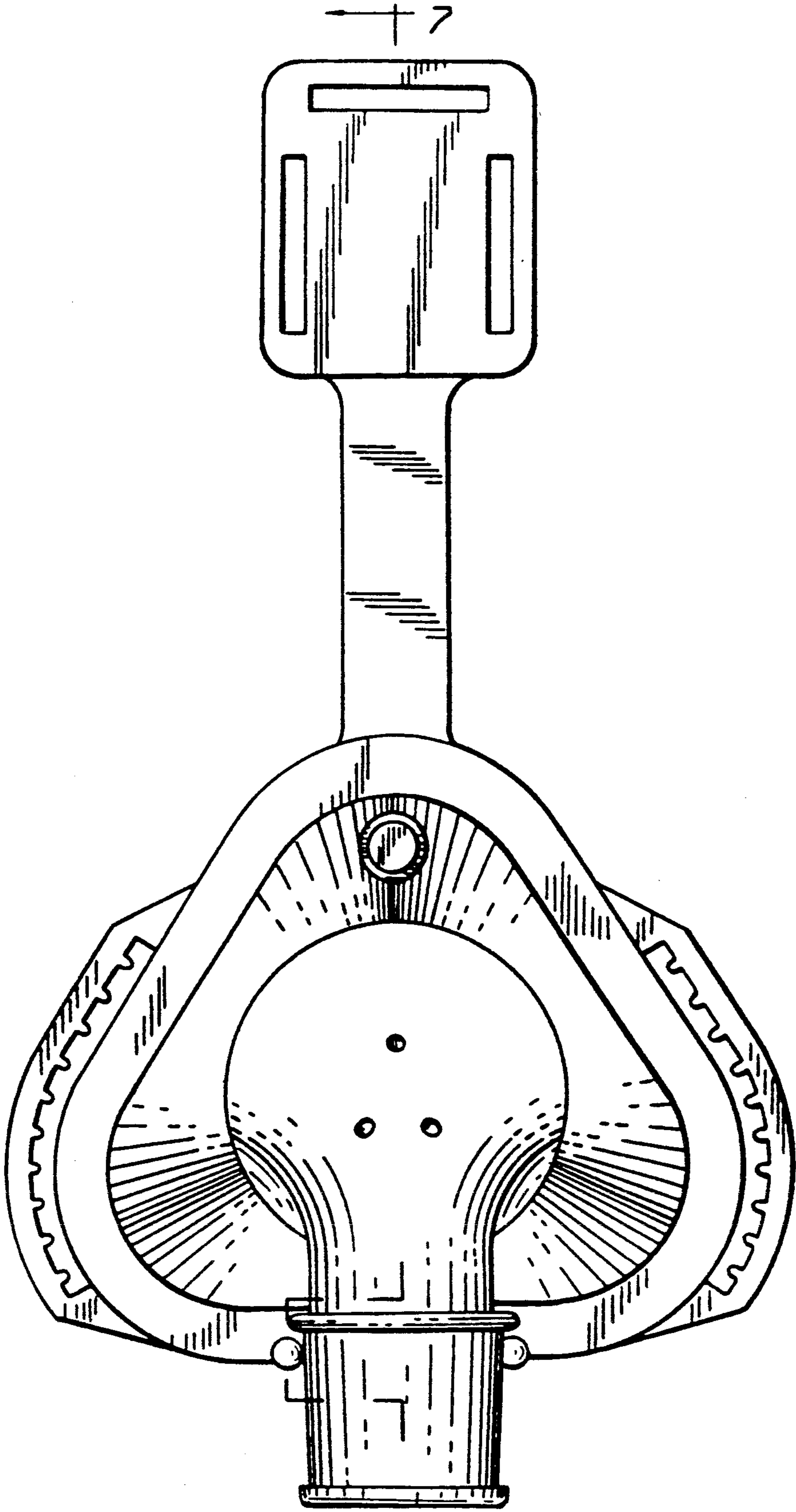


FIG. 1



← 7  
FIG. 2

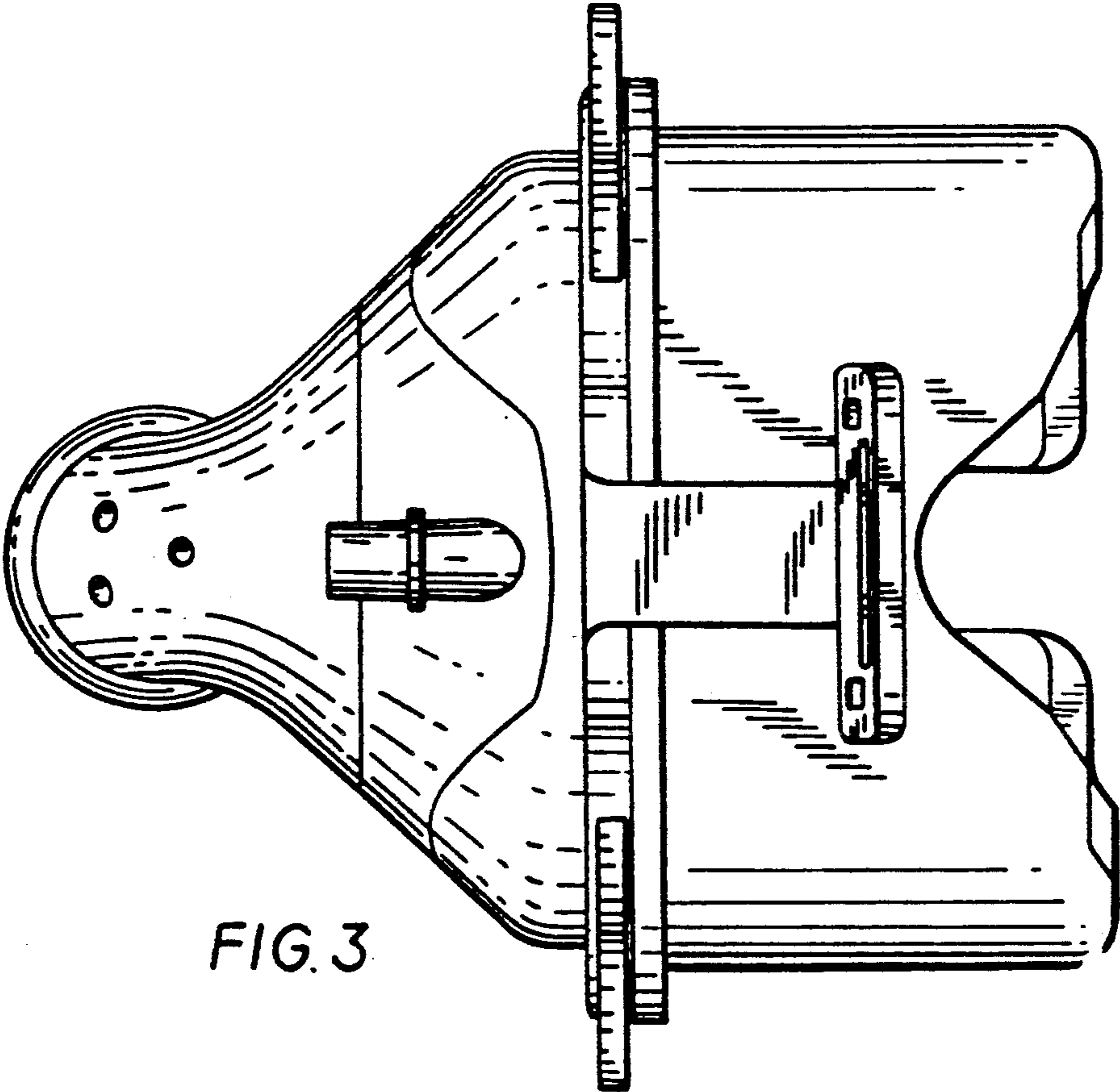


FIG. 3

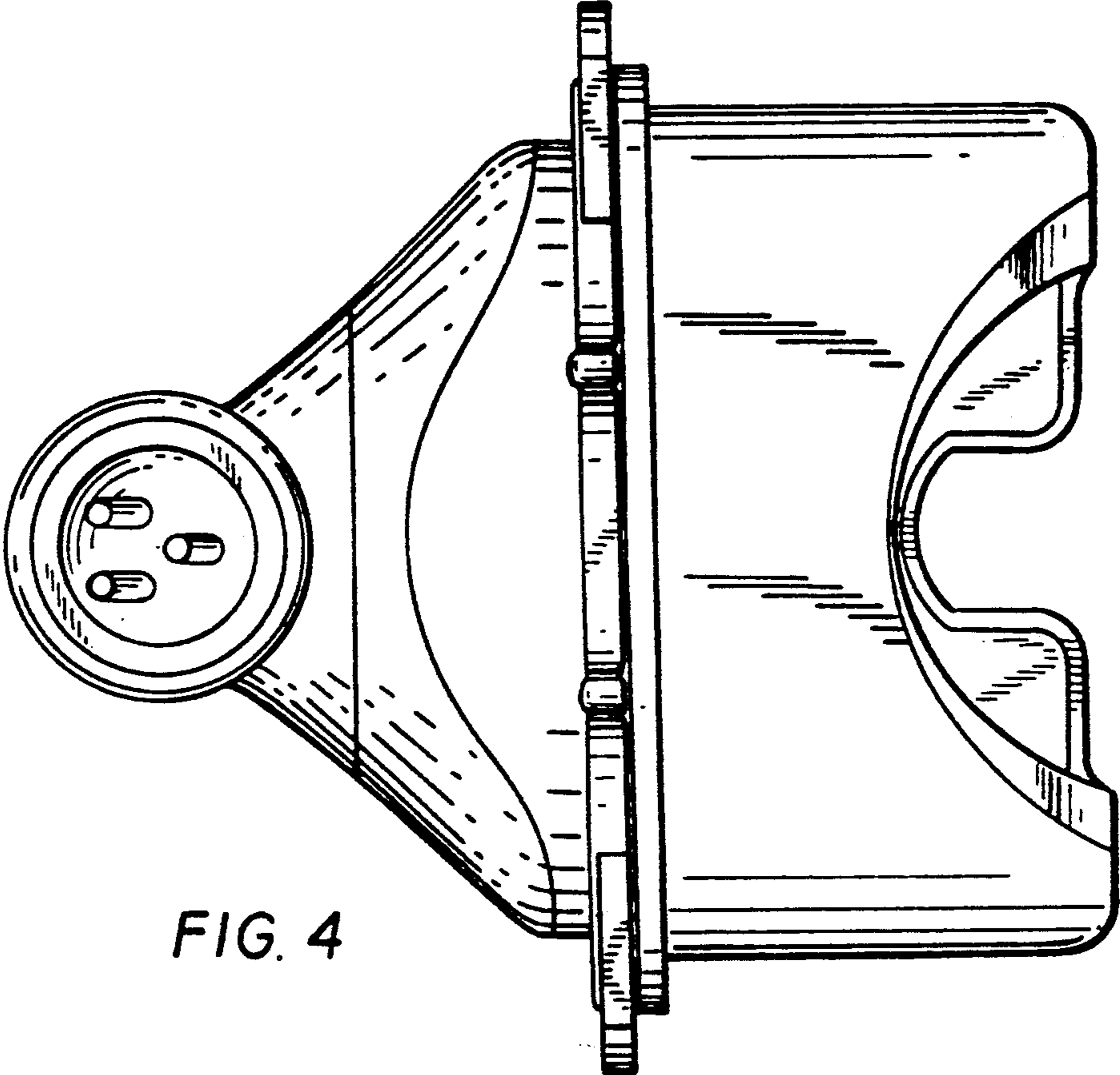


FIG. 4

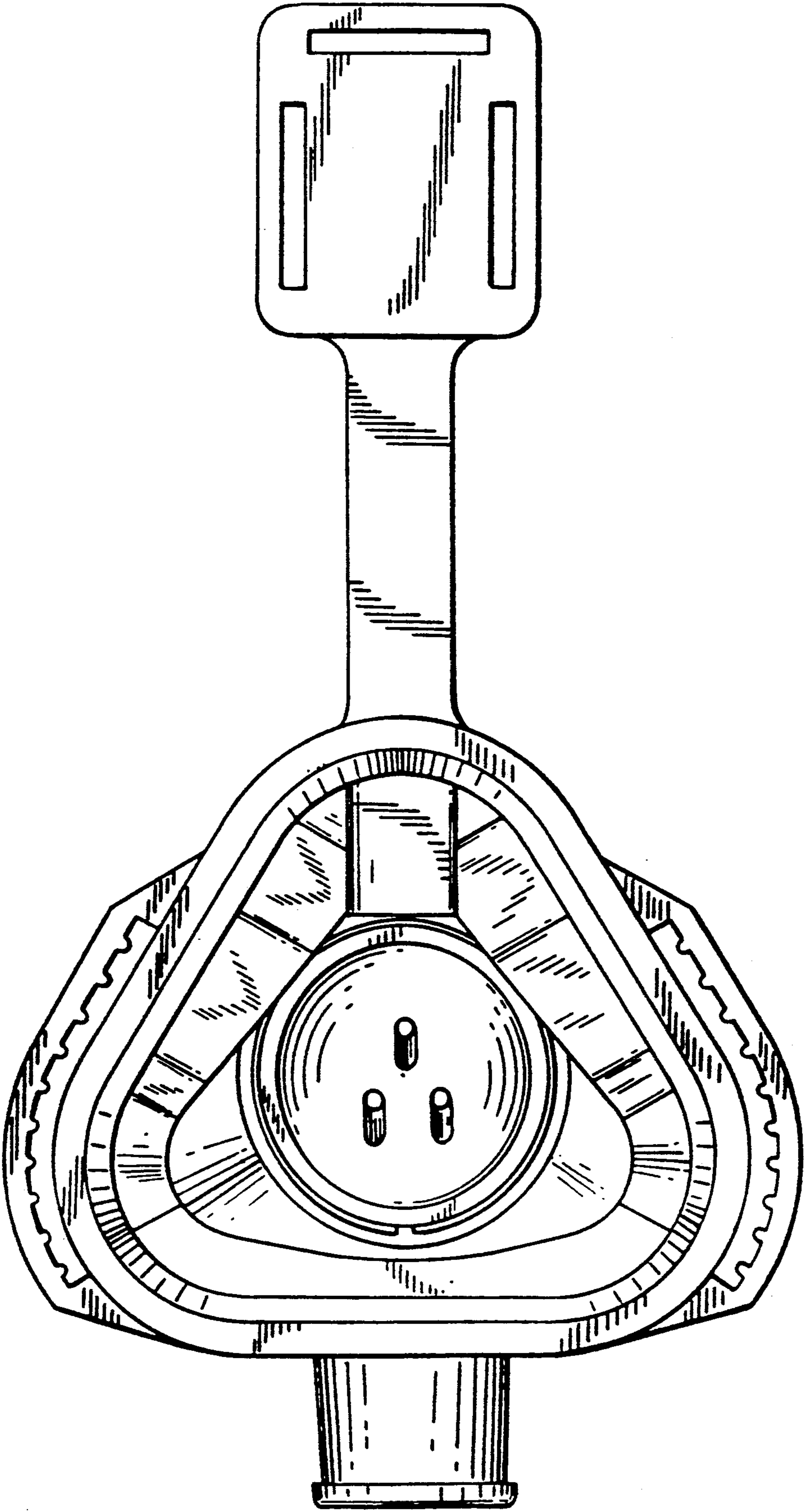


FIG. 5

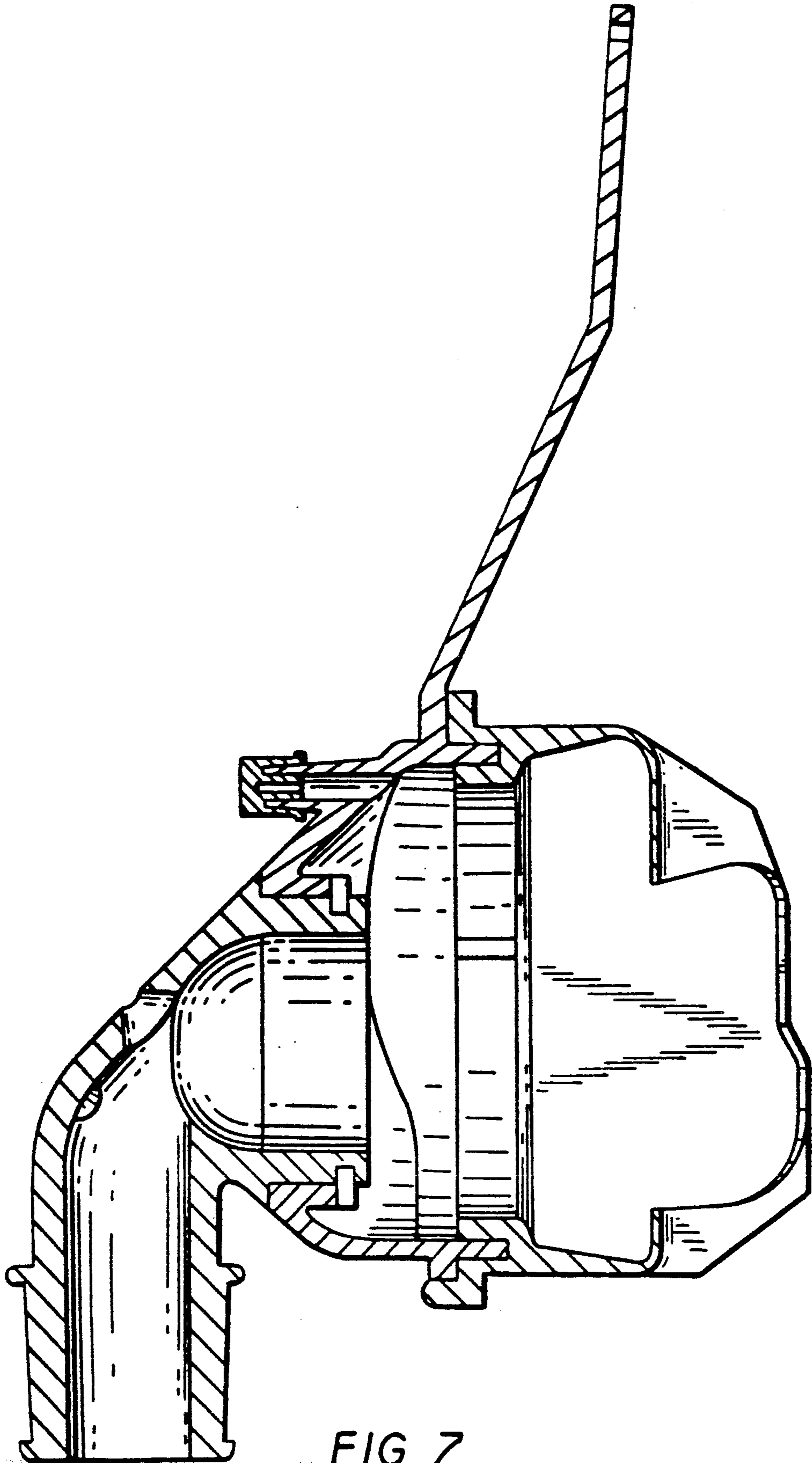


FIG. 7

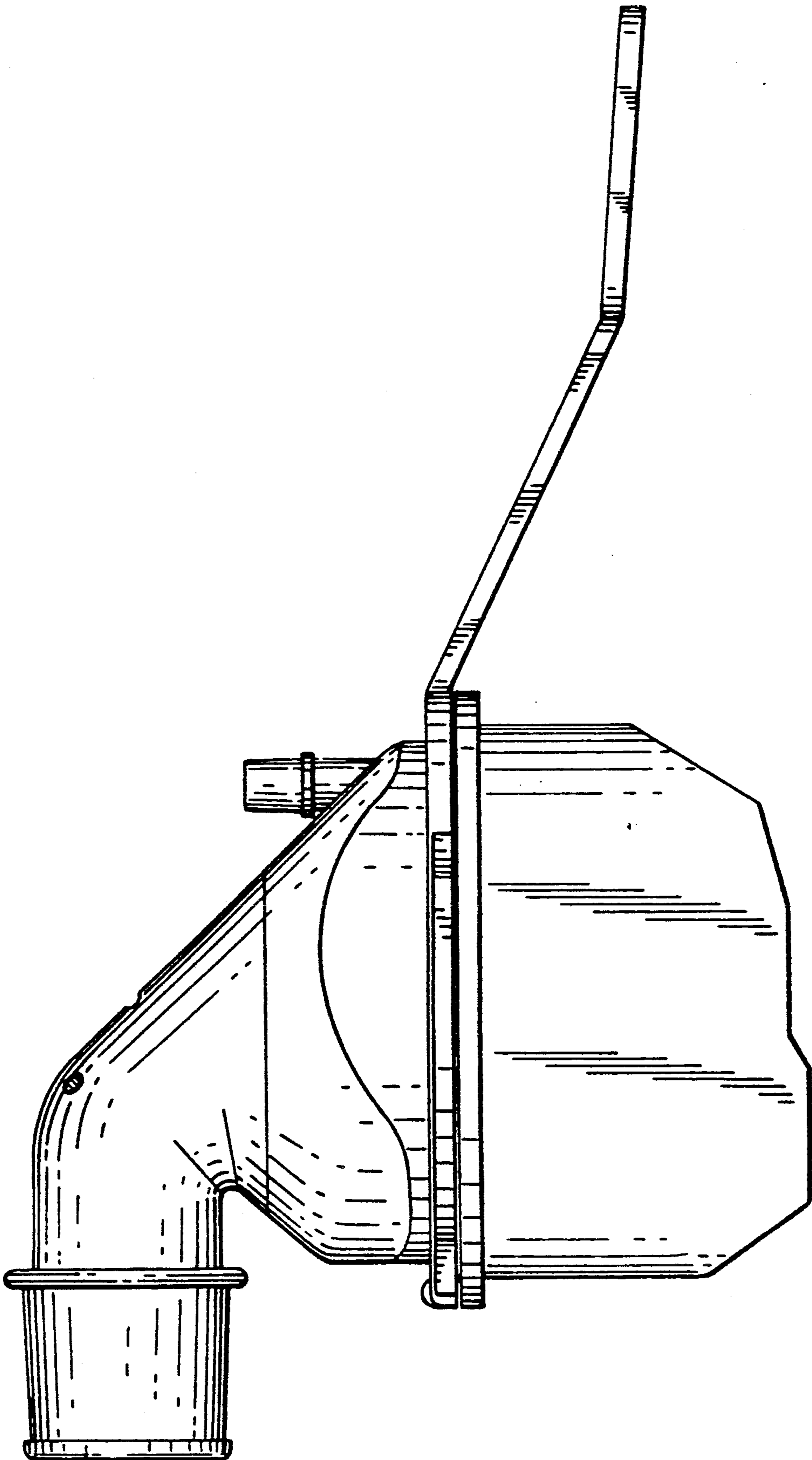


FIG. 6