

United States Patent [19]

Fischer

[11] Patent Number: **Des. 322,317**

[45] Date of Patent: **** Dec. 10, 1991**

[54] **SYRINGE PLUNGER**

[75] Inventor: **Dan E. Fischer, Sandy, Utah**

[73] Assignee: **Ultradent Products, Inc., Salt Lake City, Utah**

[**] Term: **14 Years**

[21] Appl. No.: **370,390**

[22] Filed: **Jun. 22, 1989**

[52] U.S. Cl. **D24/130; D24/114**

[58] Field of Search **D24/112, 113, 114, 130, D24/141; 604/192-198, 218-222, 263, 187, 60, 59, 54**

[56] **References Cited**

U.S. PATENT DOCUMENTS

2,575,425	11/1951	Nelson	128/218
2,812,763	11/1957	Ferguson	128/218
3,026,872	3/1962	Prater, Jr.	128/218
3,255,752	6/1966	Dick	D24/114 X
3,277,894	10/1966	Alexander	128/235
3,306,291	2/1967	Burke	D24/114 X

3,656,480	4/1972	Rubricius	128/218 P
3,738,539	6/1973	Belch	222/341
3,766,918	10/1973	Kessel	128/218 P
4,201,209	5/1980	LeVeen	128/218 P
4,645,488	2/1987	Matukas	604/218 X
4,708,270	11/1987	Ruesch	222/386.5

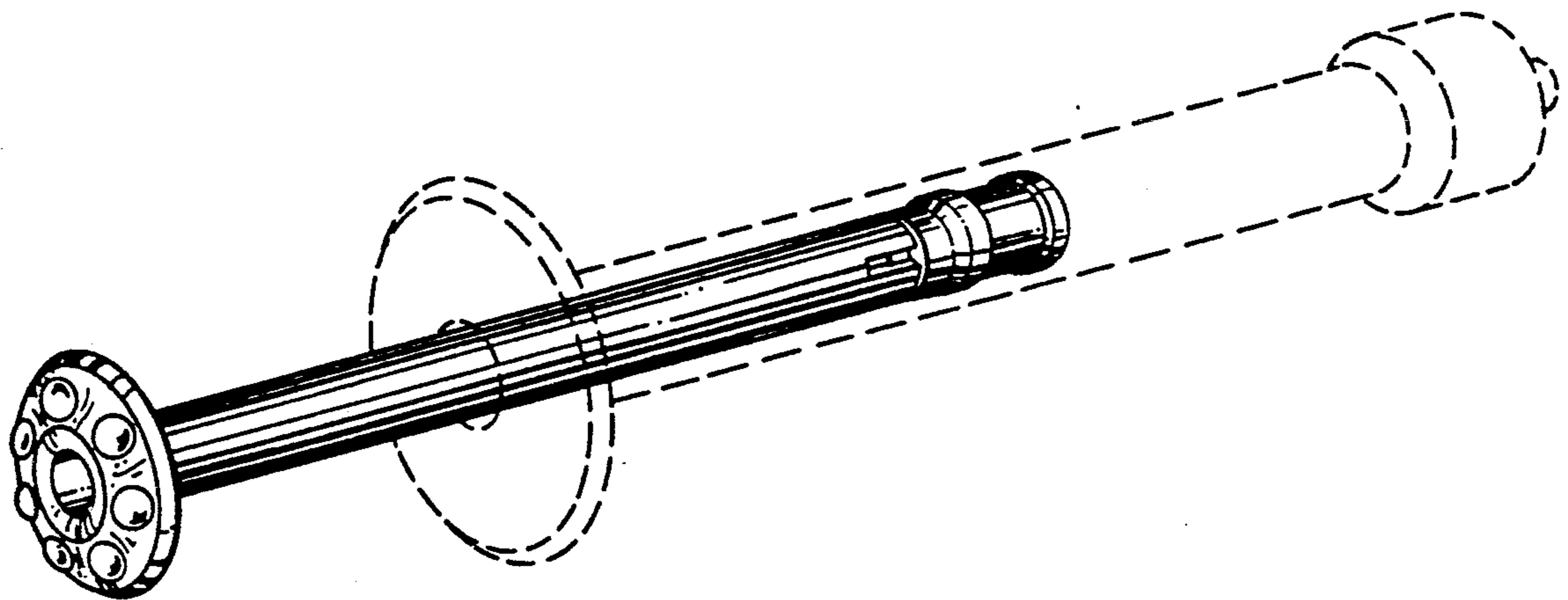
Primary Examiner—Stella Reid
Attorney, Agent, or Firm—Workman, Nydegger & Jensen

[57] **CLAIM**

The ornamental design for a syringe plunger, as shown and described.

DESCRIPTION

FIG. 1 is a perspective view of a syringe plunger, showing my new design, the broken line showing of the barrel is for illustrative purposes only and forms no part of the claimed design;
FIG. 2 is a top plan view thereof;
FIG. 3 is a front elevational view thereof;
FIG. 4 is a rear elevational view thereof; and
FIG. 5 is a bottom plan view thereof.



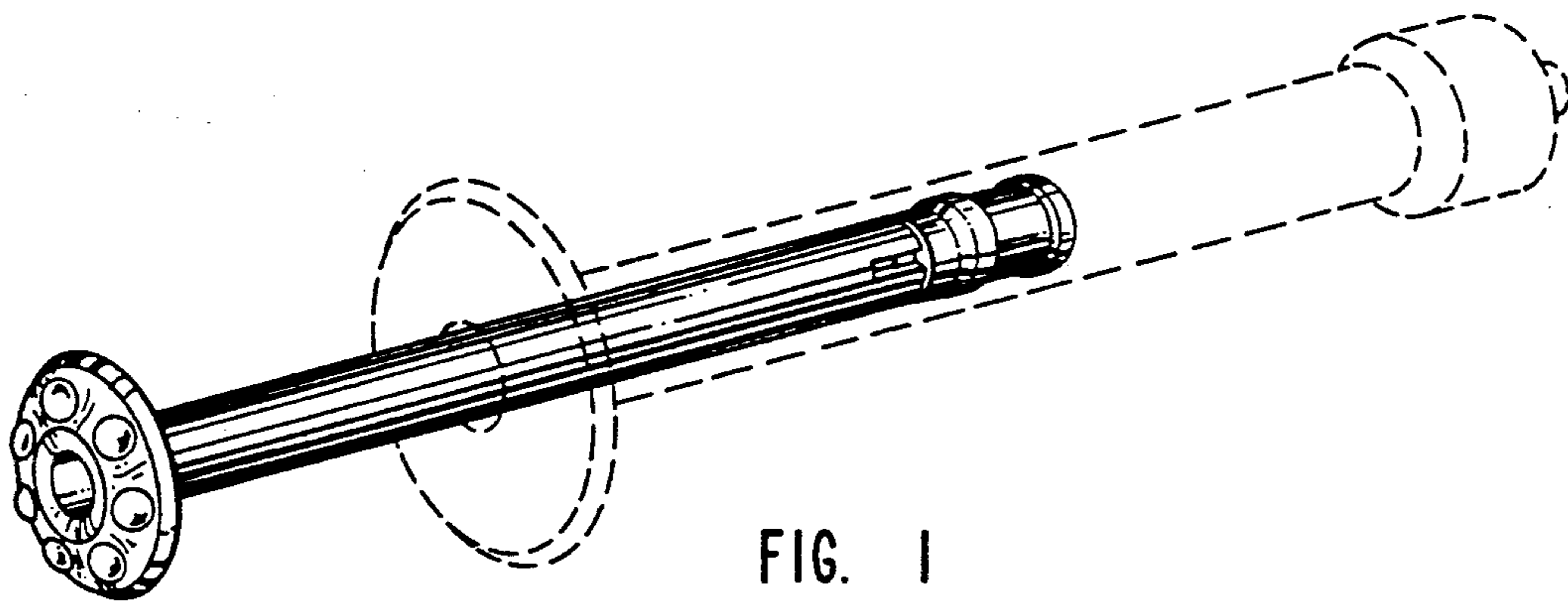


FIG. 1

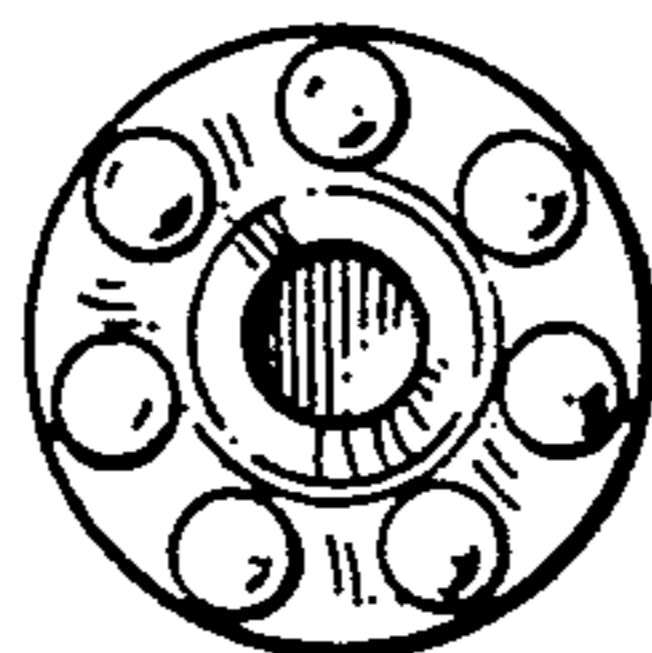


FIG. 2

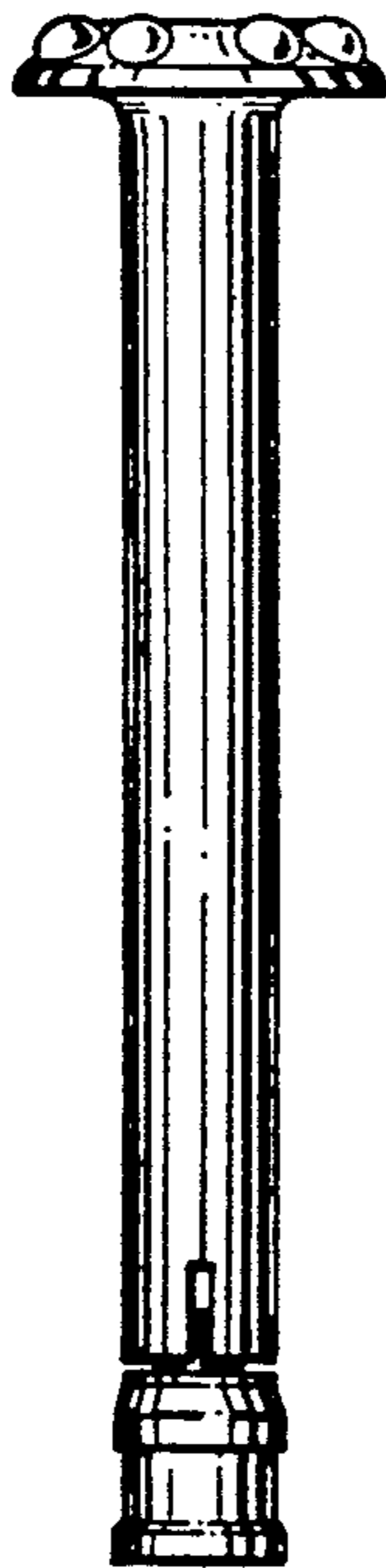


FIG. 3

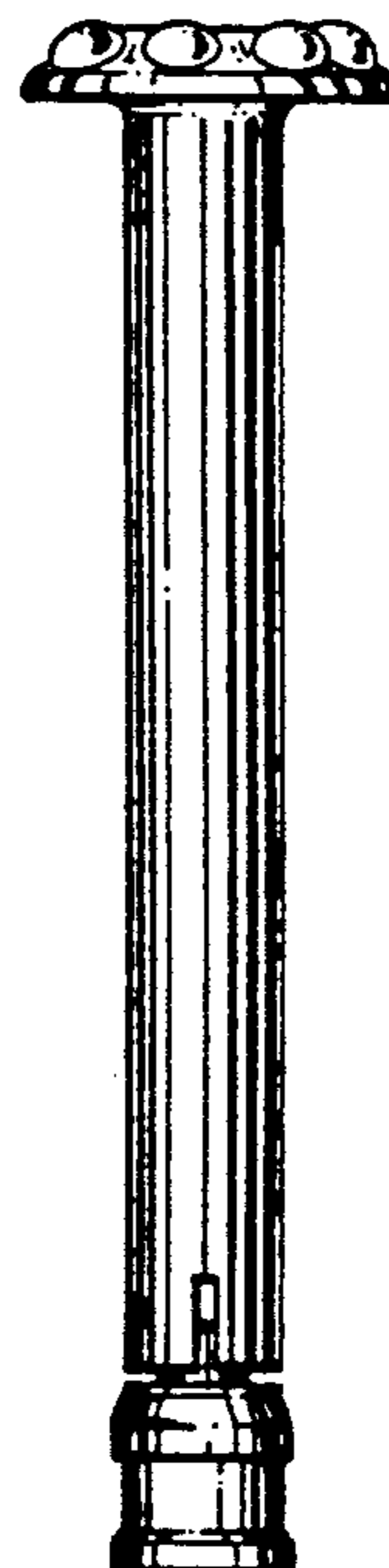


FIG. 4

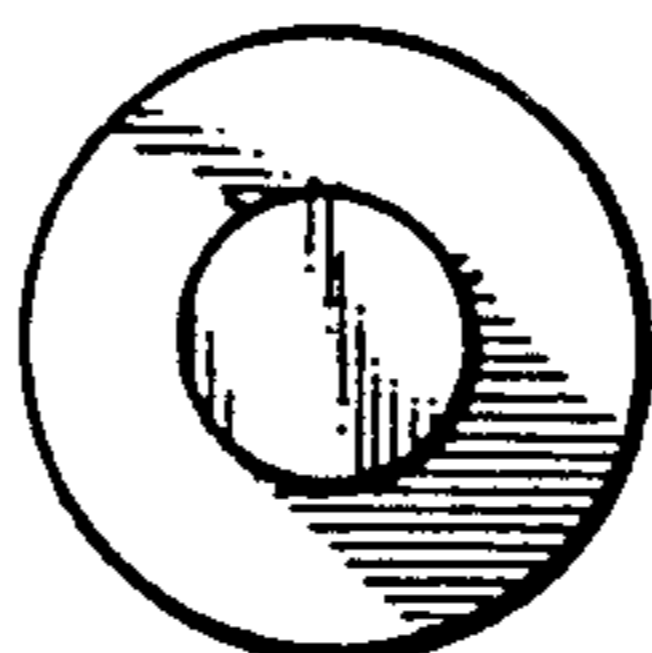


FIG. 5