

[54] REAGENT CONTAINER OR THE LIKE

[75] Inventor: Masao Ushikubo, Hachioji, Japan

[73] Assignee: Olympus Optical Company Ltd., Japan

[\*\*] Term: 14 Years

[21] Appl. No.: 280,243

[22] Filed: Dec. 5, 1988

[30] Foreign Application Priority Data

Jun. 8, 1988 [JP] Japan ..... 63-22853

[52] U.S. Cl. .... D24/117

[58] Field of Search ..... D24/8, 22, 29, 31, 32, D24/56, 99; D9/337, 341, 347, 367, 369, 375; 422/64, 67, 72, 73, 102, 104; 436/45, 47, 809

[56] References Cited

U.S. PATENT DOCUMENTS

D. 22,004	11/1892	Rodiger	.....	D9/375
D. 286,912	11/1986	Anderson	.....	D24/56
D. 287,638	1/1987	Moore et al.	.....	D24/56
D. 297,166	8/1988	Hollar et al.	.....	D24/17
D. 309,098	7/1990	Moret	.....	D9/375
D. 310,778	9/1990	Williamson	.....	D9/367
1,146,313	7/1915	Duffy	.	

3,825,141	7/1974	Campagna	.
3,825,142	7/1974	Campagna	.
3,847,324	11/1974	Uchanski et al.	.
3,889,835	6/1975	Avant	.
3,988,170	10/1976	Koch et al.	.

Primary Examiner—Wallace R. Burke  
Assistant Examiner—Marcus Jackson  
Attorney, Agent, or Firm—Ostrolenk, Faber, Gerb & Soffen

[57] CLAIM

The ornamental design for a reagent container or the like, as shown and described.

DESCRIPTION

FIG. 1 is a front perspective view of a reagent container or the like showing our new design; FIG. 2 is a rear perspective view thereof; FIG. 3 is a front elevational view thereof; FIG. 4 is a right side elevational view thereof; FIG. 5 is a rear elevational view thereof; FIG. 6 is a left side elevational view thereof; FIG. 7 is a top plan view thereof; FIG. 8 is a bottom plan view thereof; FIG. 9 is a sectional view along line 9—9 of FIG. 7; and FIG. 10 is a top perspective view thereof, with the broken line showing for illustrative purposes only and forming no part of the claimed design.

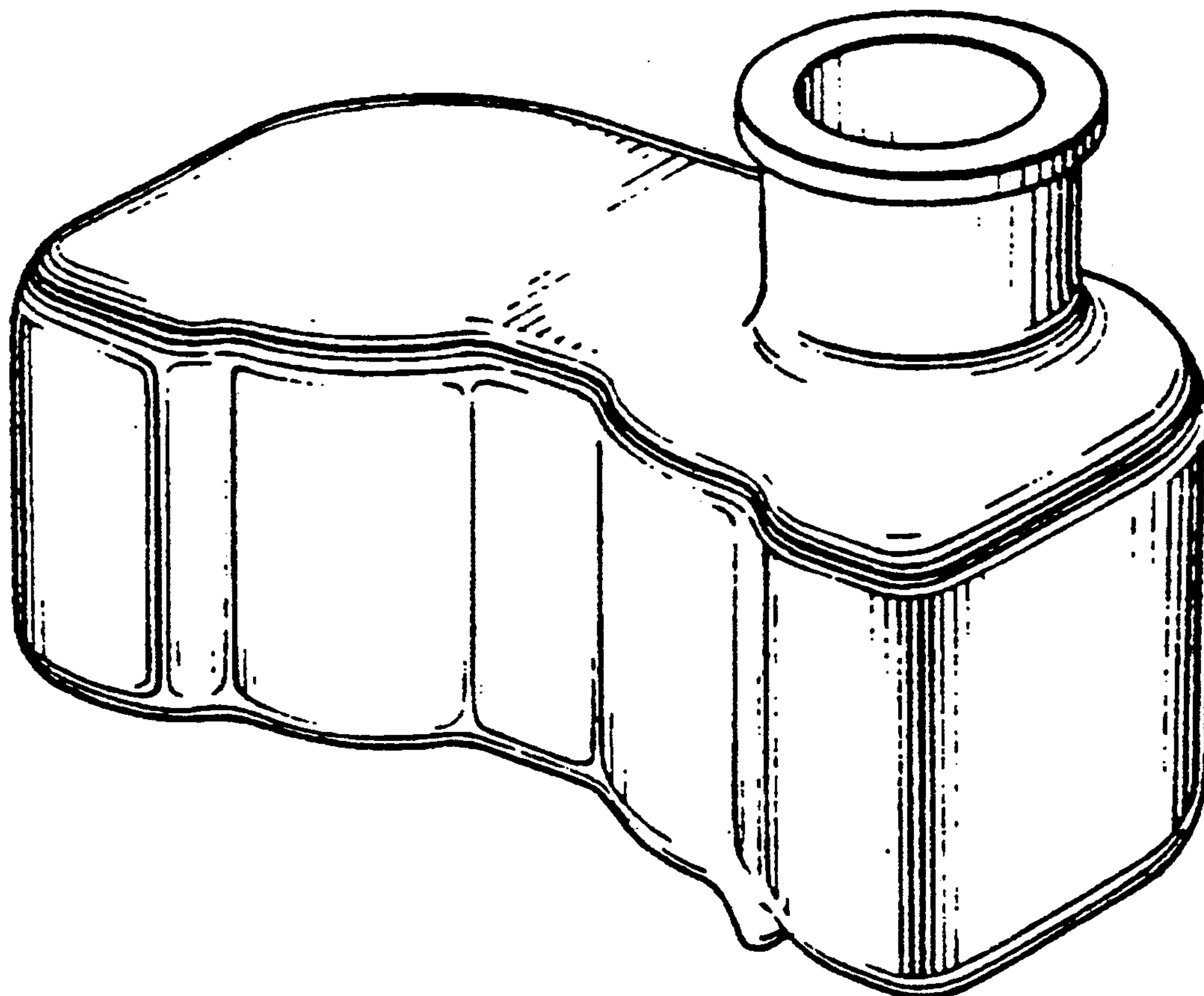


FIG. 1

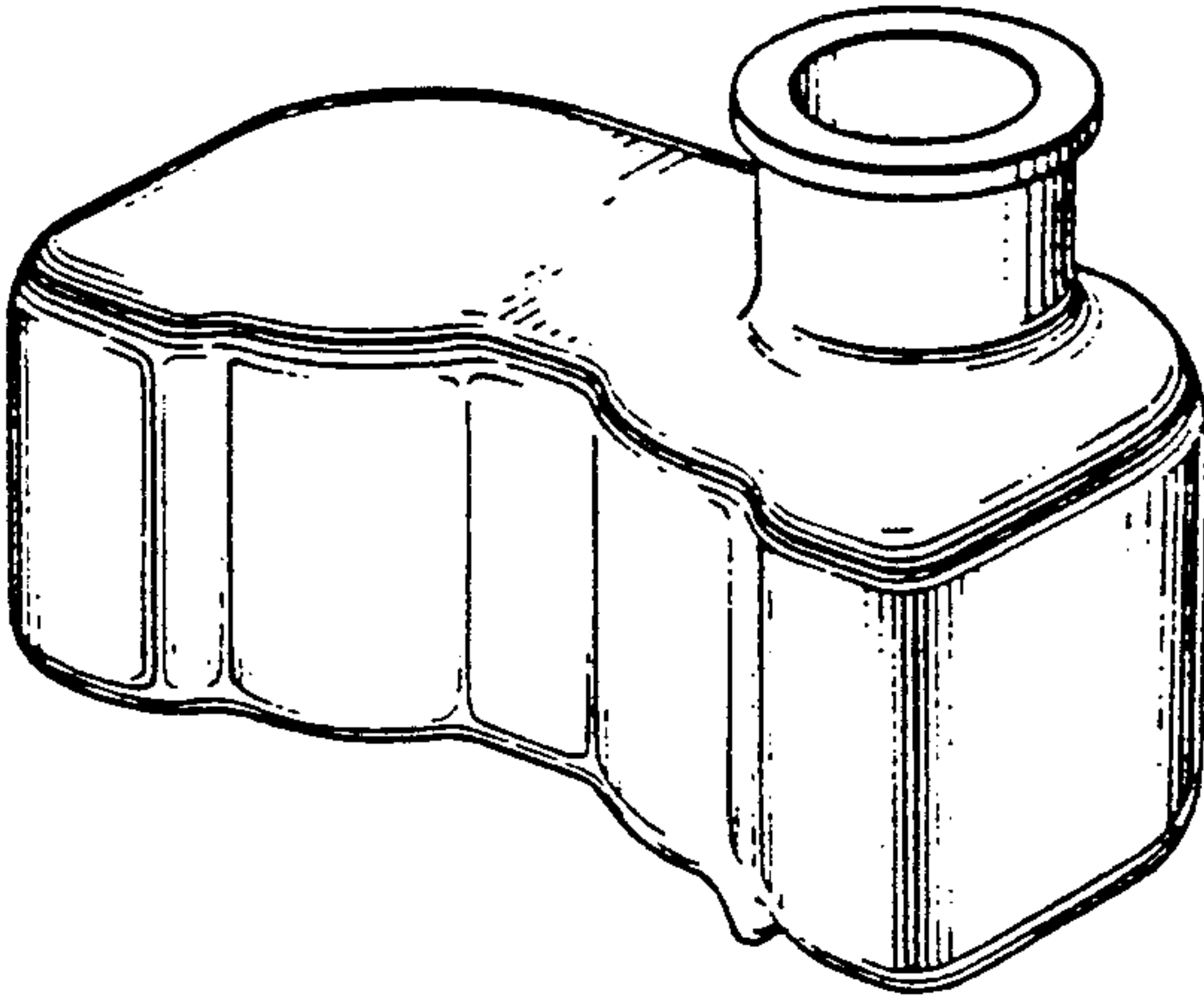


FIG. 2

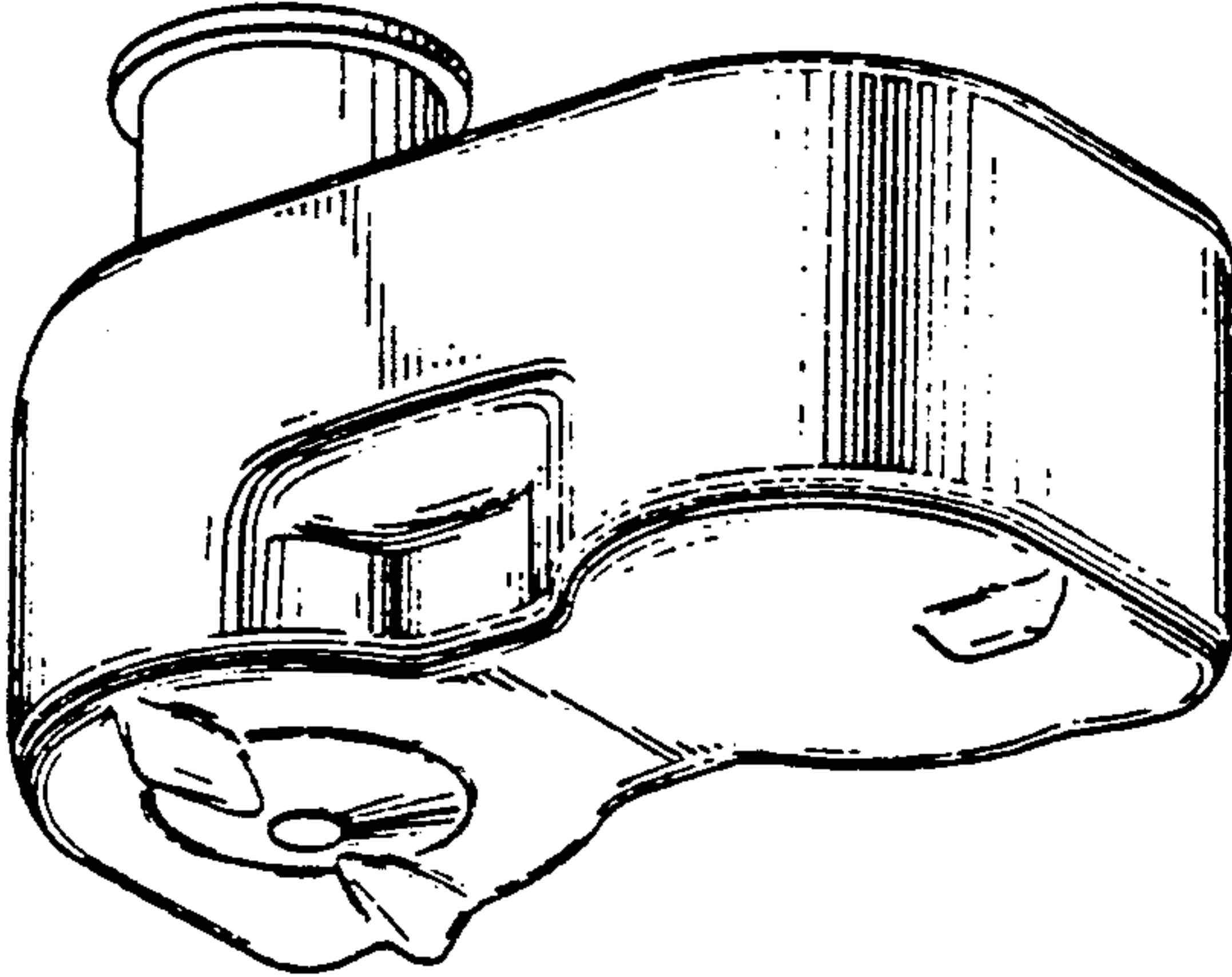


FIG. 3

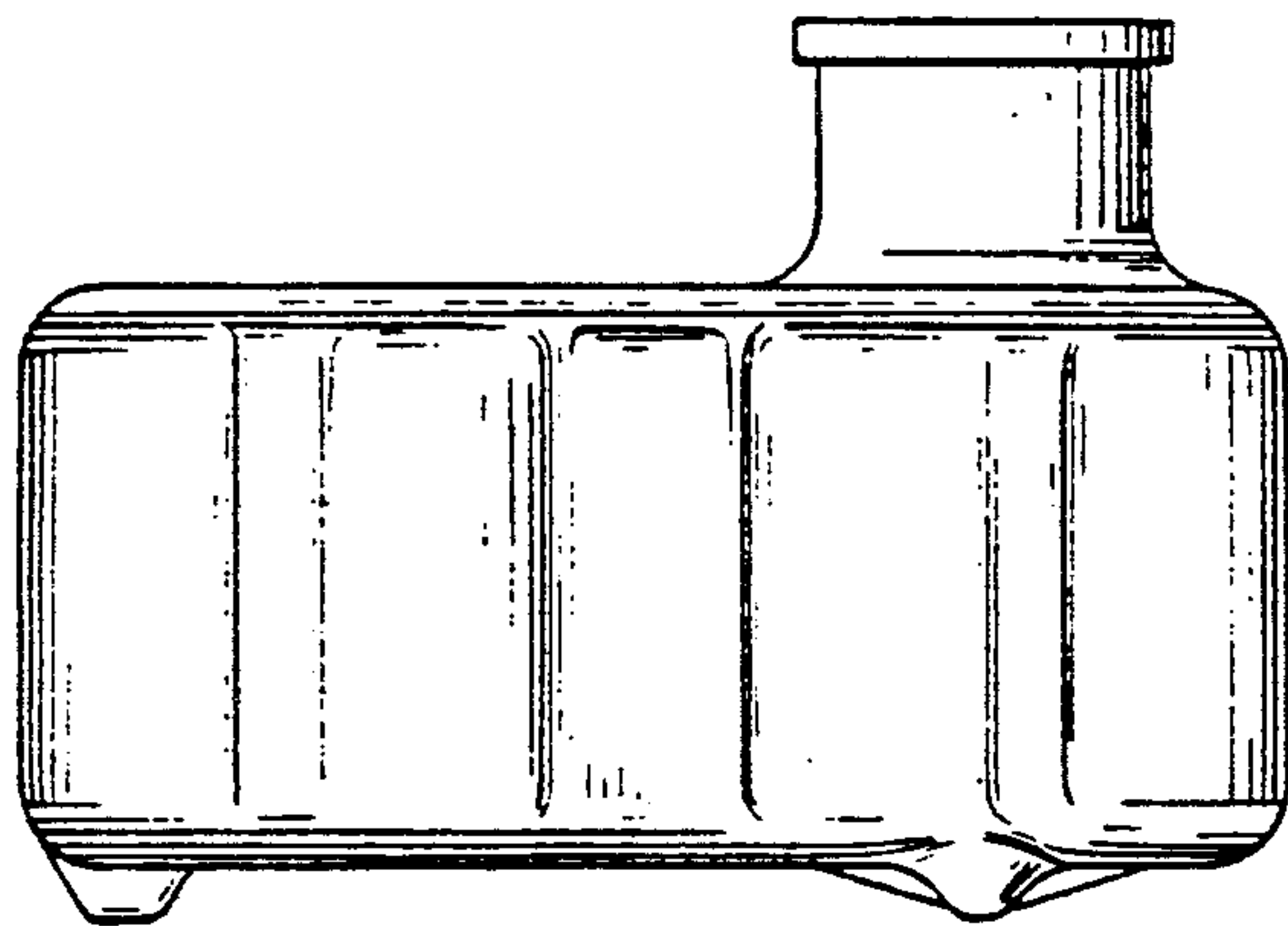


FIG. 4

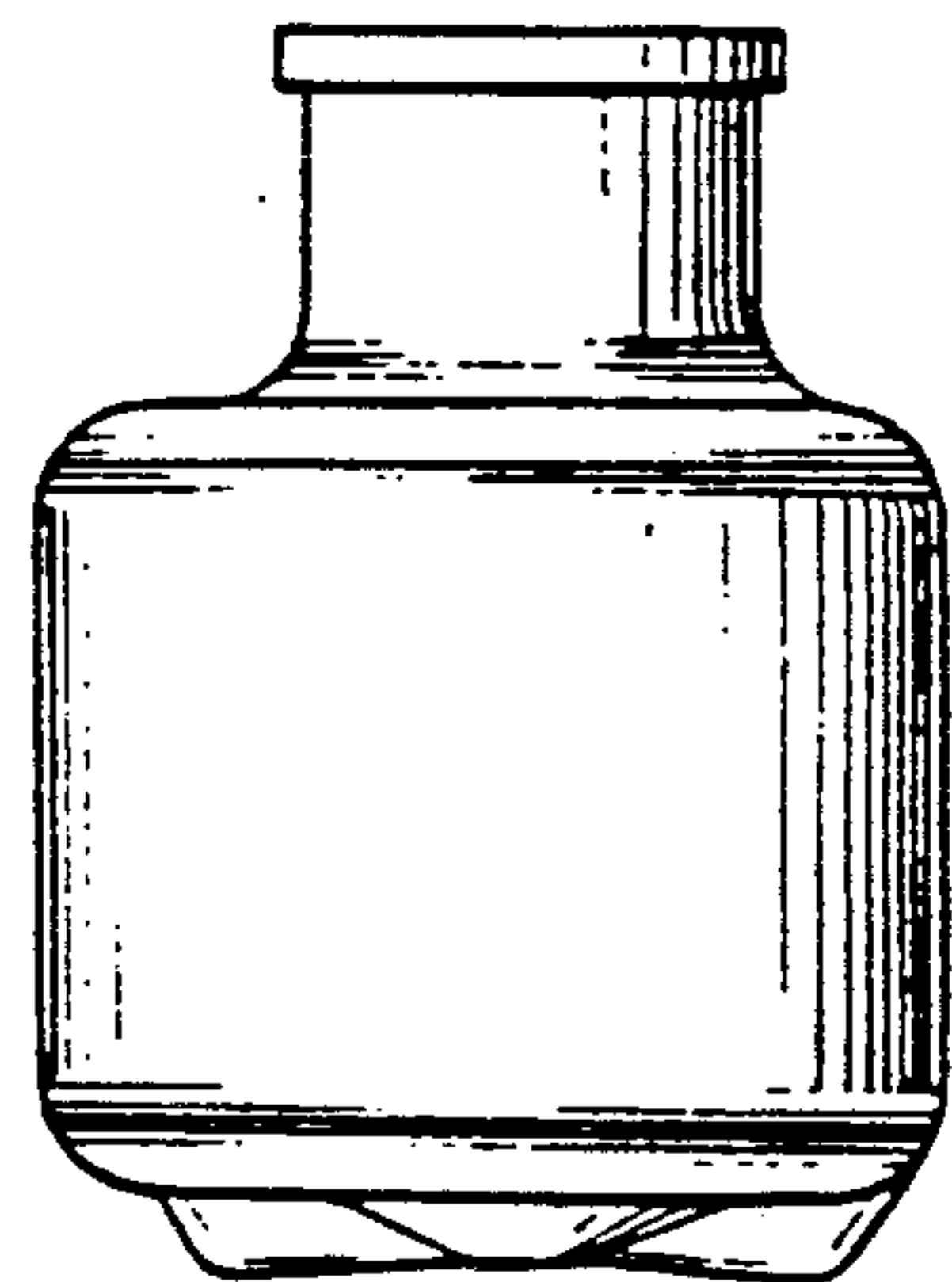


FIG. 5

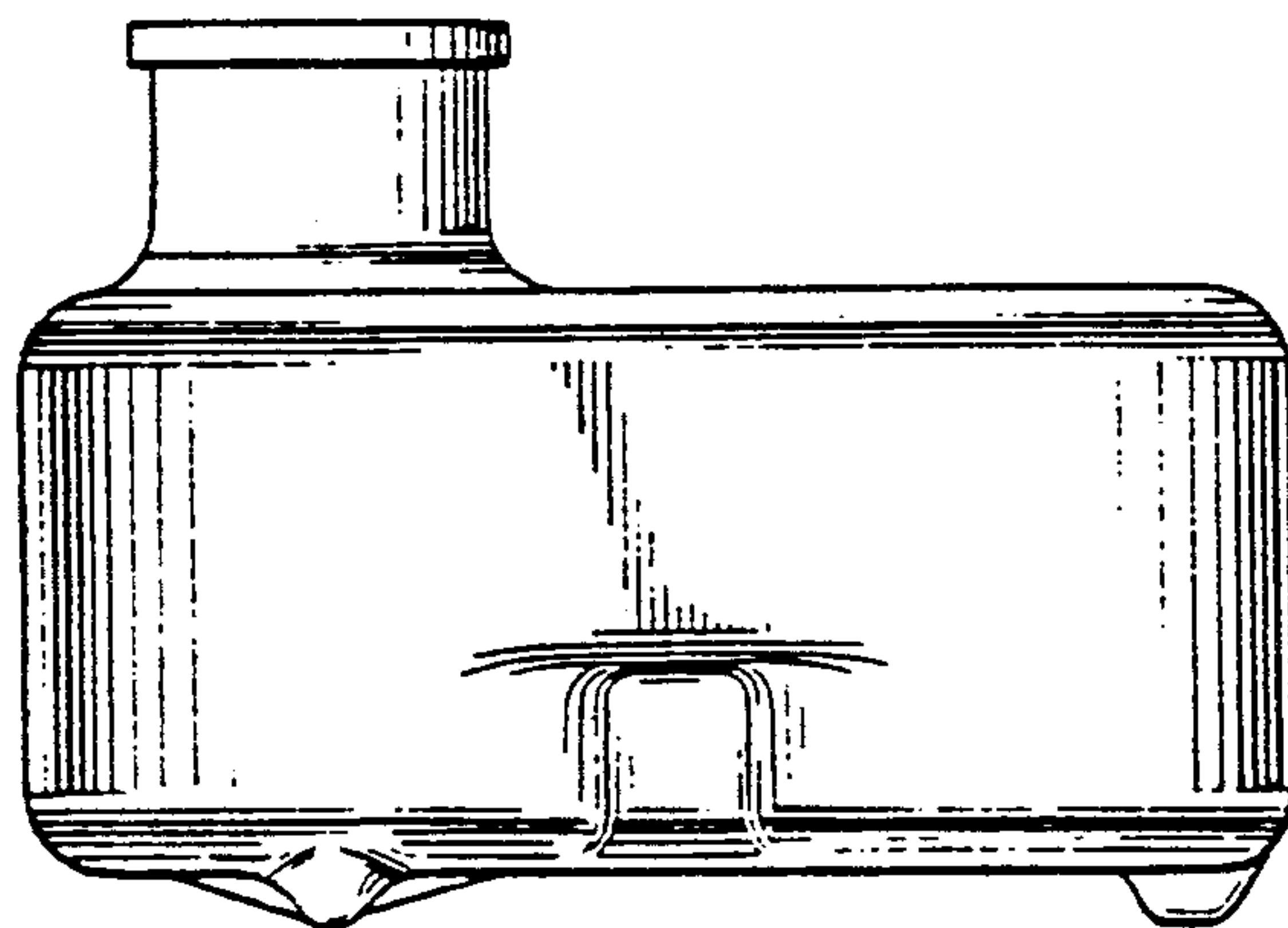


FIG. 6



FIG. 7

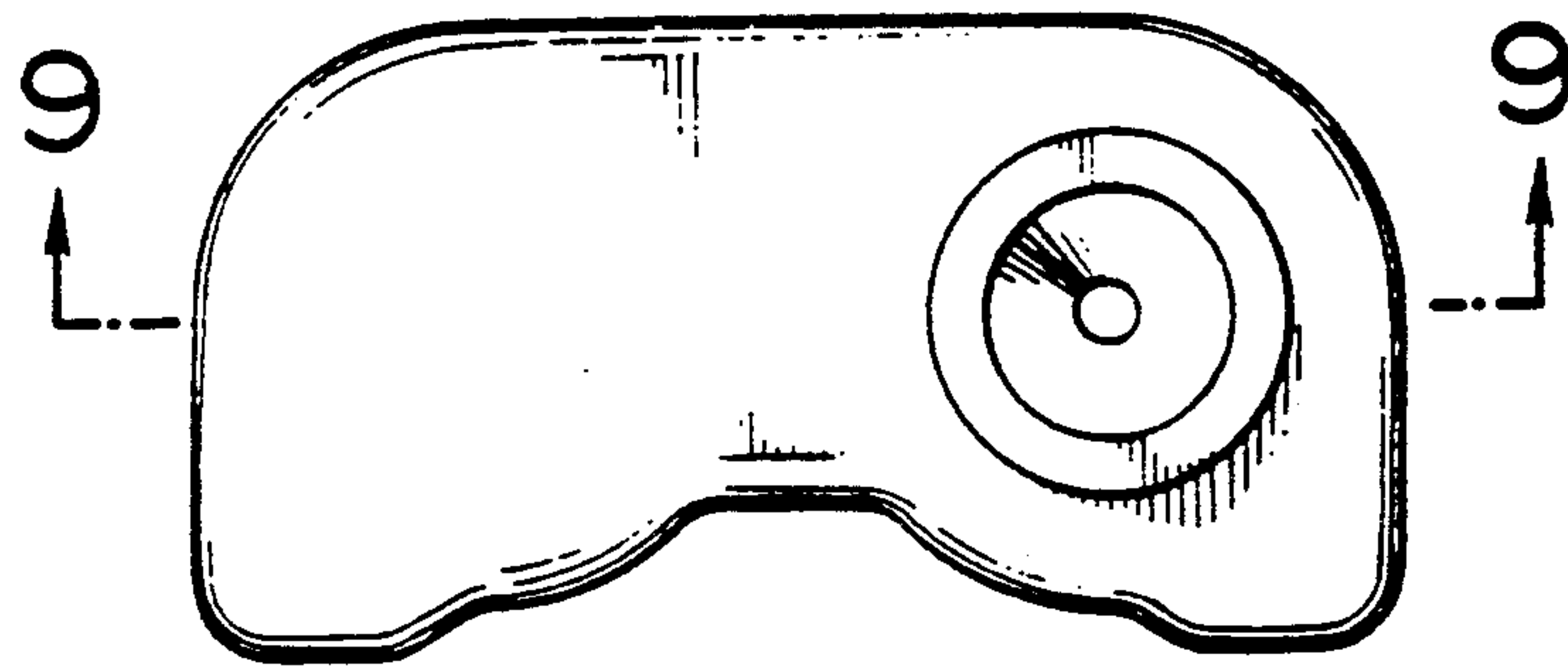


FIG. 8

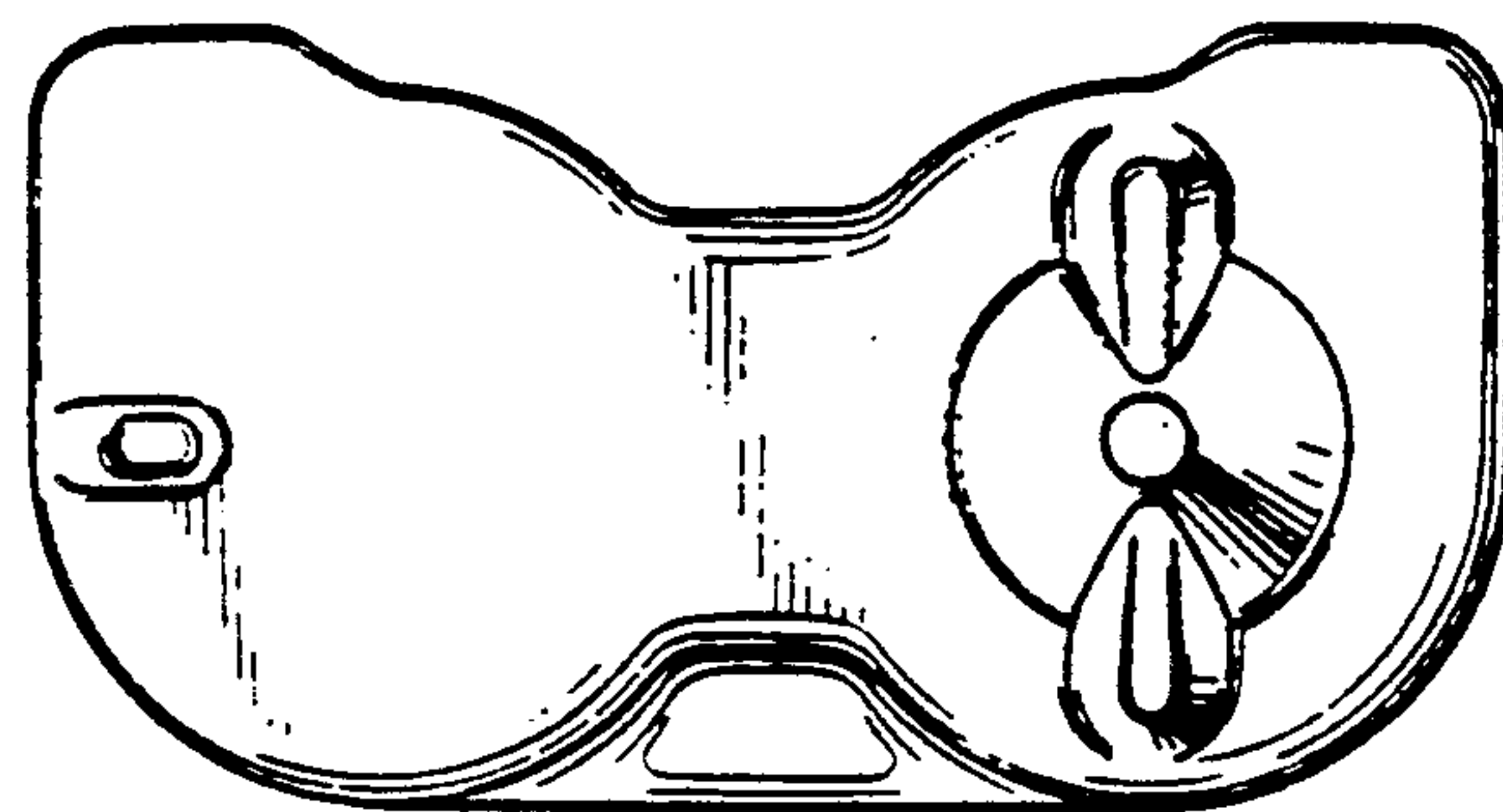


FIG. 9

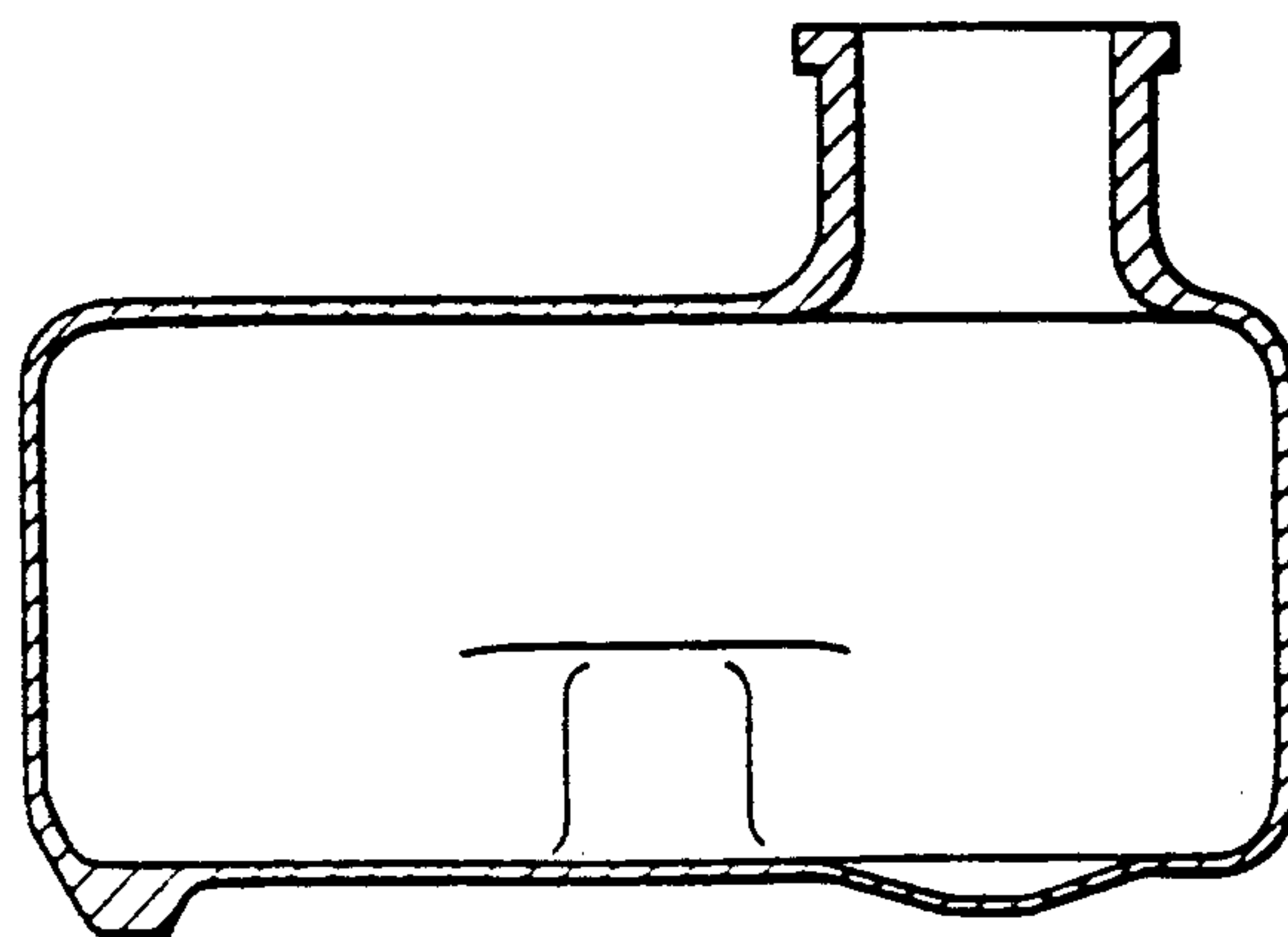


FIG. 10

