

[54] ILIAC CREST SUPPORT

[75] Inventor: Bruno Mombrinie, Philadelphia, Pa.

[73] Assignee: Avec Scientific Design Corporation, Philadelphia, Pa.

[\*\*] Term: 14 Years

[21] Appl. No.: 295,253

[22] Filed: Jan. 9, 1989

[52] U.S. Cl. .... D24/183; D6/601; D24/158

[58] Field of Search ..... D24/64, 2; 5/431-437, 5/440, 442, 443, 446-448, 450, 451, 465; D6/595, 601, 596; 269/322-328; 378/204, 205, 208, 209

[56]

References Cited

U.S. PATENT DOCUMENTS

D. 279,642	7/1985	Ross	.....	D6/596
D. 282,990	3/1986	Sims et al.	.....	D6/596 X
4,796,315	1/1989	Crew	.....	5/431

Primary Examiner—Stella Reid

[57]

CLAIM

The ornamental design for an iliac crest support, as shown.

DESCRIPTION

FIG. 1 is a top perspective view of an iliac crest support, showing my new design; and FIG. 2 is a bottom perspective view thereof.

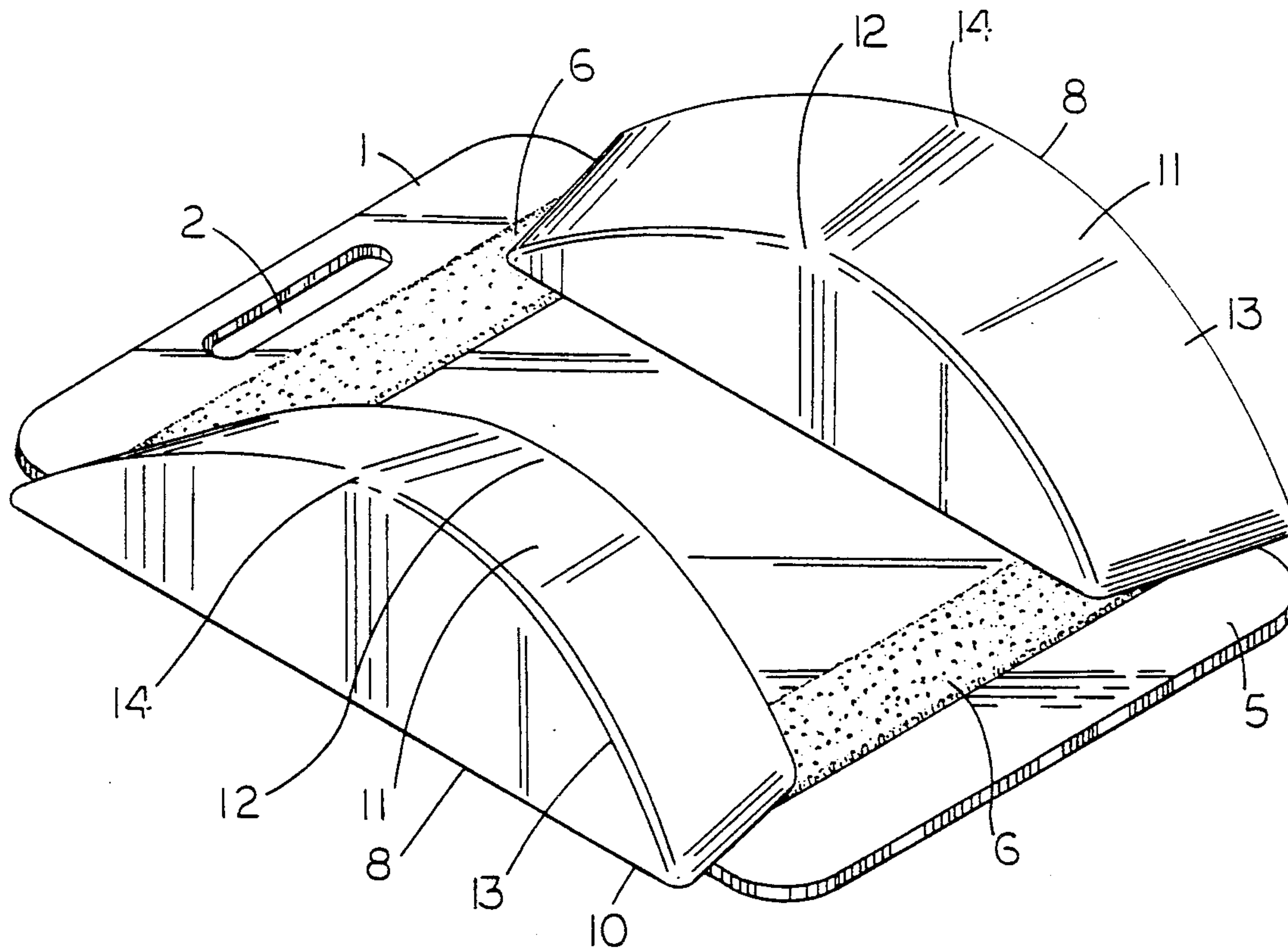


FIG. 1

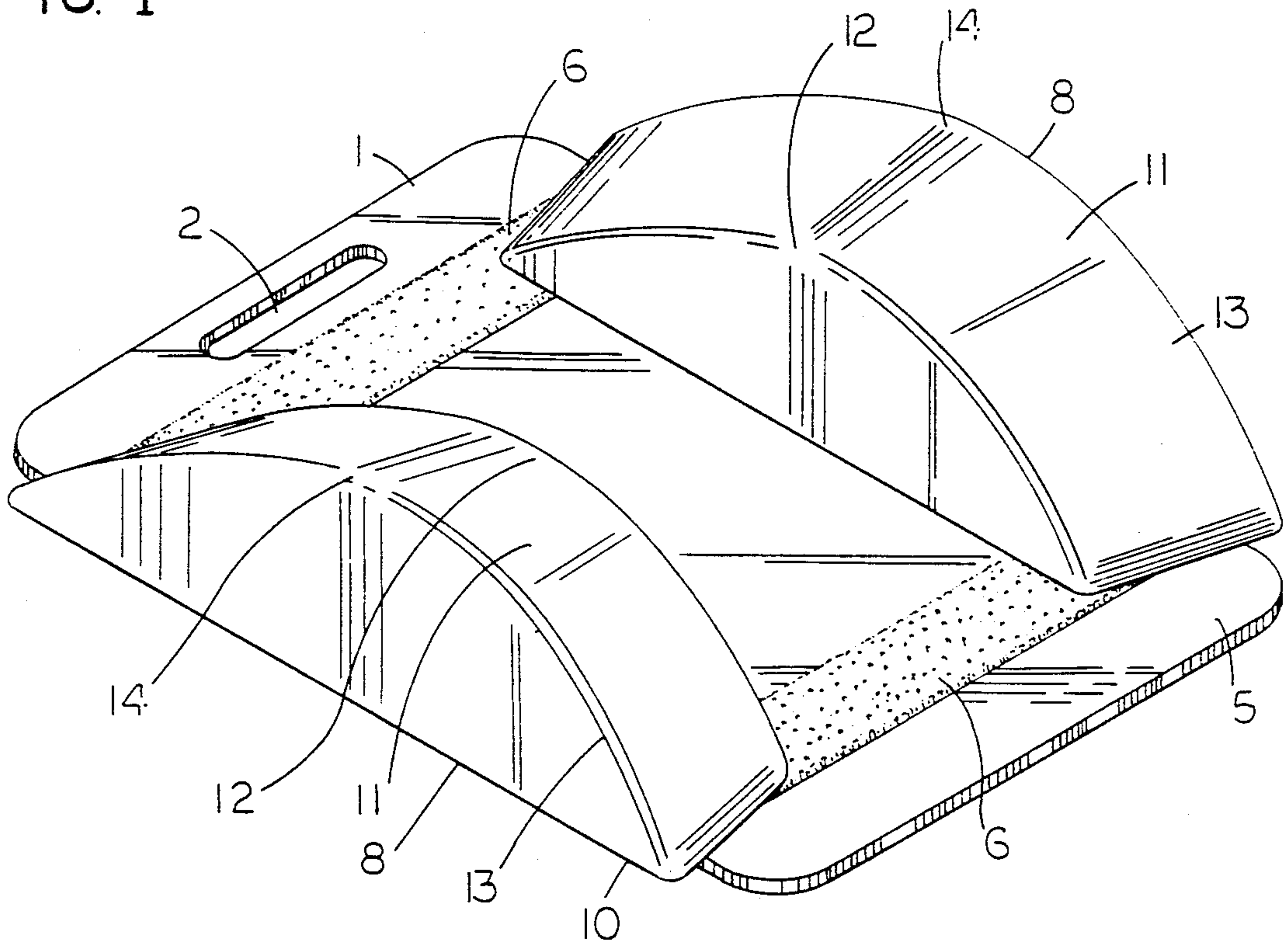


FIG. 2

