

[54] **CEILING FAN**  
 [75] **Inventor: Shih-Pao Cheng, Taya Taichung Hsiang, Taiwan**  
 [73] **Assignee: Great 2000 Enterprises, Inc., Corona, Calif.**  
 [\*\*] **Term: 14 Years**  
 [21] **Appl. No.: 530,252**  
 [22] **Filed: May 30, 1990**  
 [52] **U.S. Cl. .... D23/377**  
 [58] **Field of Search ..... D26/72, 81, 83, 84, D26/85, 88; D23/377, 379, 385, 413; 362/96; 416/5, 62, 146 R, DIG. 10**

481,646 8/1892 Beers ..... 416/5  
 704,076 7/1902 McBride ..... 416/146 R  
 4,342,073 7/1982 Ranten ..... 362/294

**OTHER PUBLICATIONS**

Code P International Inc. Catalog, p. 30, Light Kit 3805F, lower left side of page.  
 Baldinger Architectural Lighting, Inc. Primo Collection Catalogue, 1988, p. 15, Wall Sconce REF 390, lower left side of page, copy in D26 Ceiling Lamp Cat. Box 1987-1989.

*Primary Examiner*—James M. Gandy  
*Assistant Examiner*—Lisa Lichtenstein  
*Attorney, Agent, or Firm*—Danton K. Mak; Sheldon & Mak

[56] **References Cited**  
**U.S. PATENT DOCUMENTS**

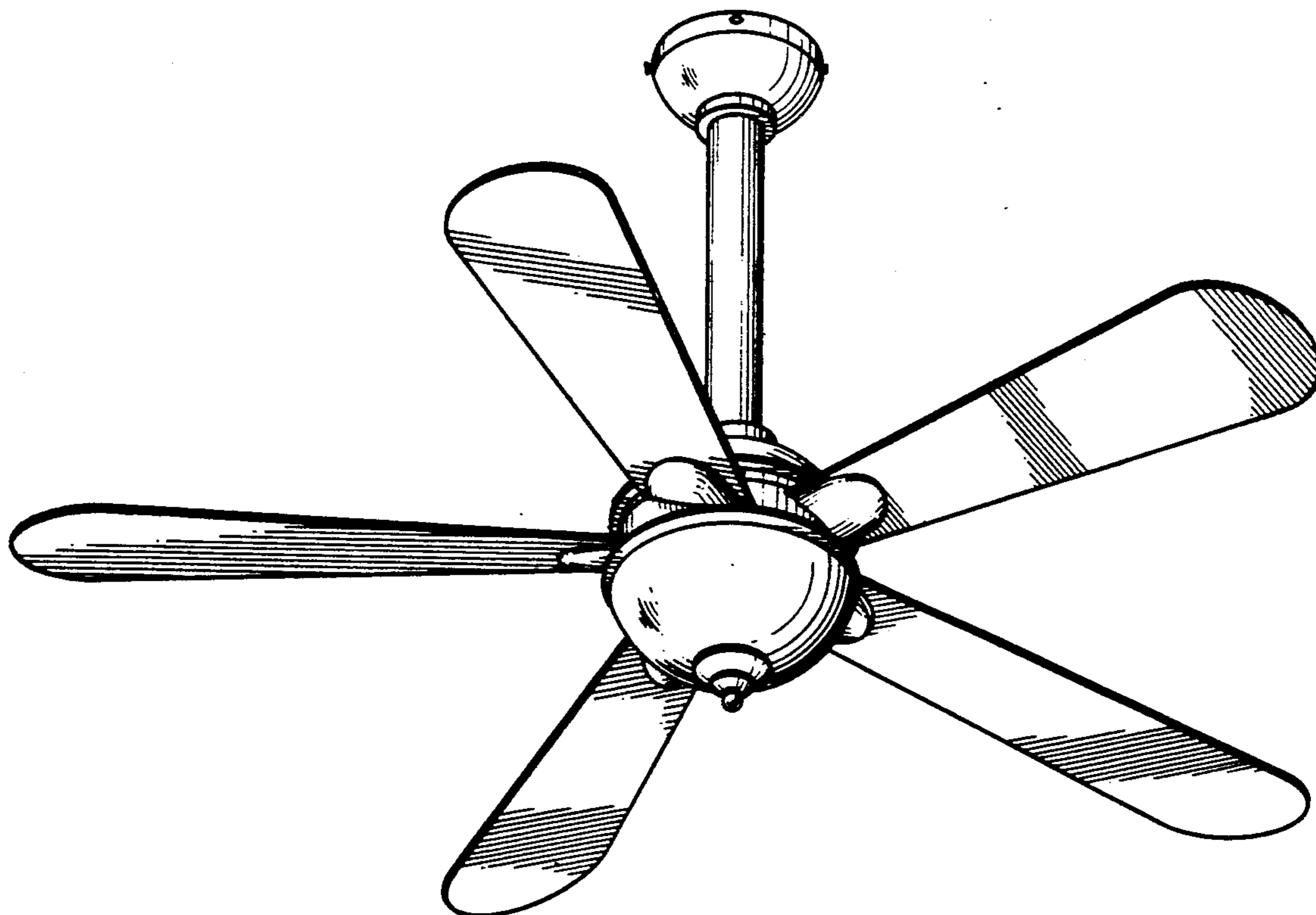
D. 51,085 7/1917 Vaughn ..... D26/88  
 D. 82,179 6/1930 Ringwald ..... D23/379  
 D. 97,934 12/1935 Guth ..... D26/88  
 D. 105,628 8/1937 Wiesler ..... D26/88  
 D. 265,502 7/1982 Kearnes ..... D23/379  
 D. 270,942 10/1983 McCain ..... D23/379  
 D. 297,360 8/1988 Cheslock ..... D23/385  
 D. 297,859 9/1988 Jiang ..... D23/385  
 D. 304,229 10/1989 Rezek ..... D23/377  
 D. 305,059 12/1989 Miranda et al. .... D23/377  
 D. 310,561 9/1990 Janicz ..... D23/377  
 477,614 6/1892 Tuerk, Jr. .... 416/5

[57] **CLAIM**

The ornamental design for a ceiling fan, as shown and described.

**DESCRIPTION**

FIG. 1 is a perspective view of a ceiling fan showing my new design;  
 FIG. 2 is a side elevational view thereof, the opposite side being a mirror image of that shown;  
 FIG. 3 is a bottom plan view thereof on a reduced scale;  
 FIG. 4 is a top plan view thereof on a reduced scale; and  
 FIG. 5 is a cross-sectional view thereof, taken along line 5—5 in FIG. 2.



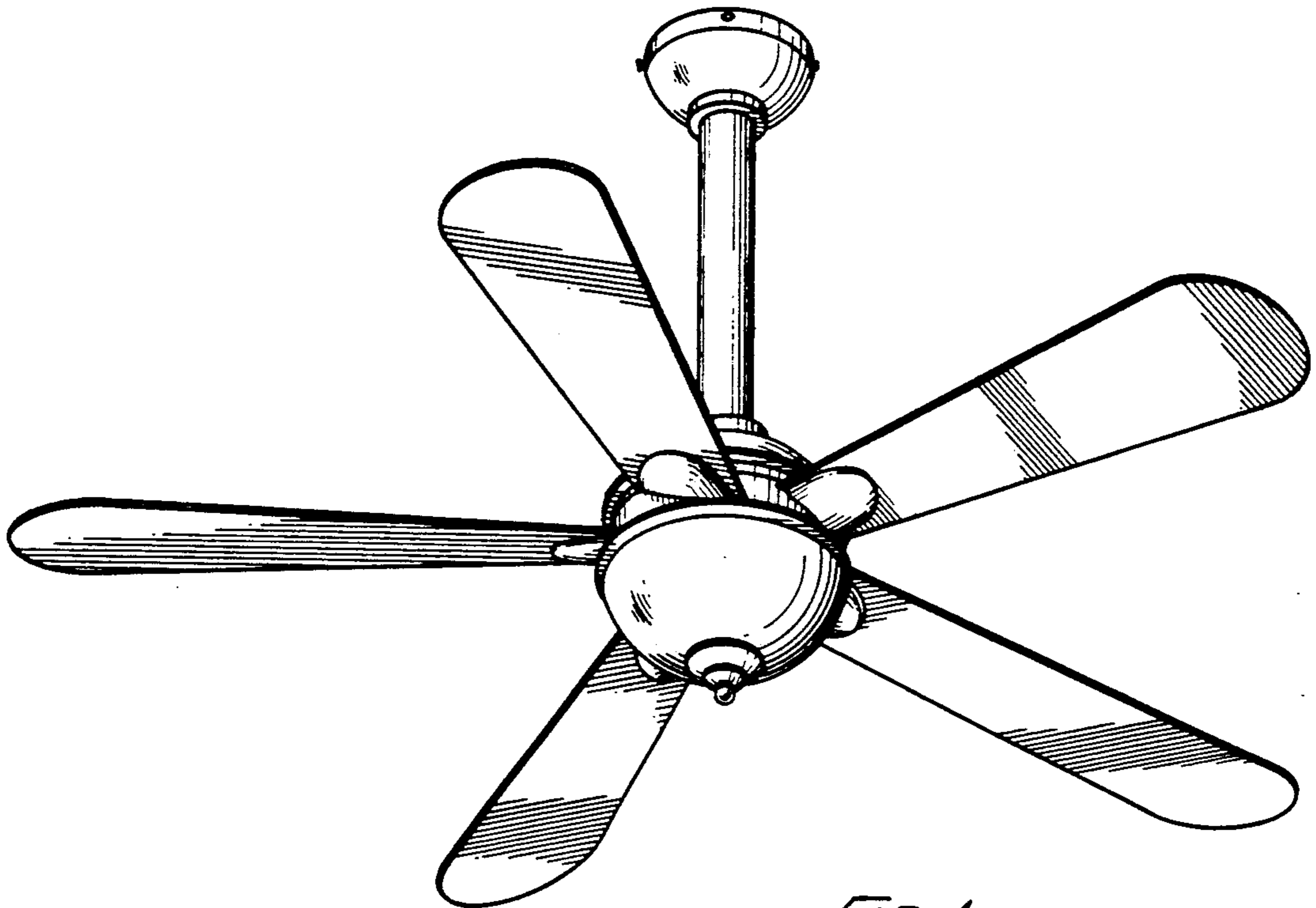


FIG. 1.

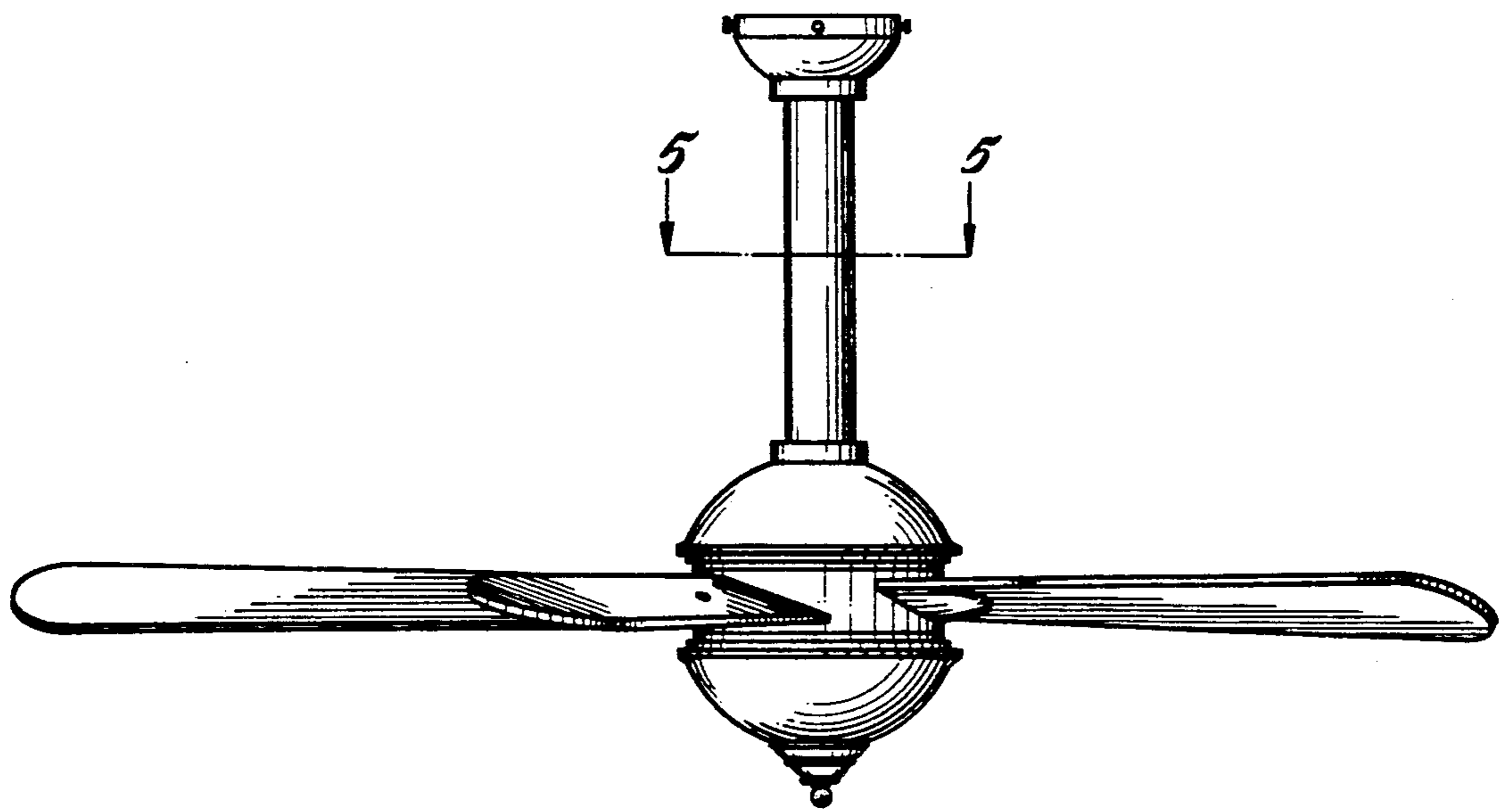
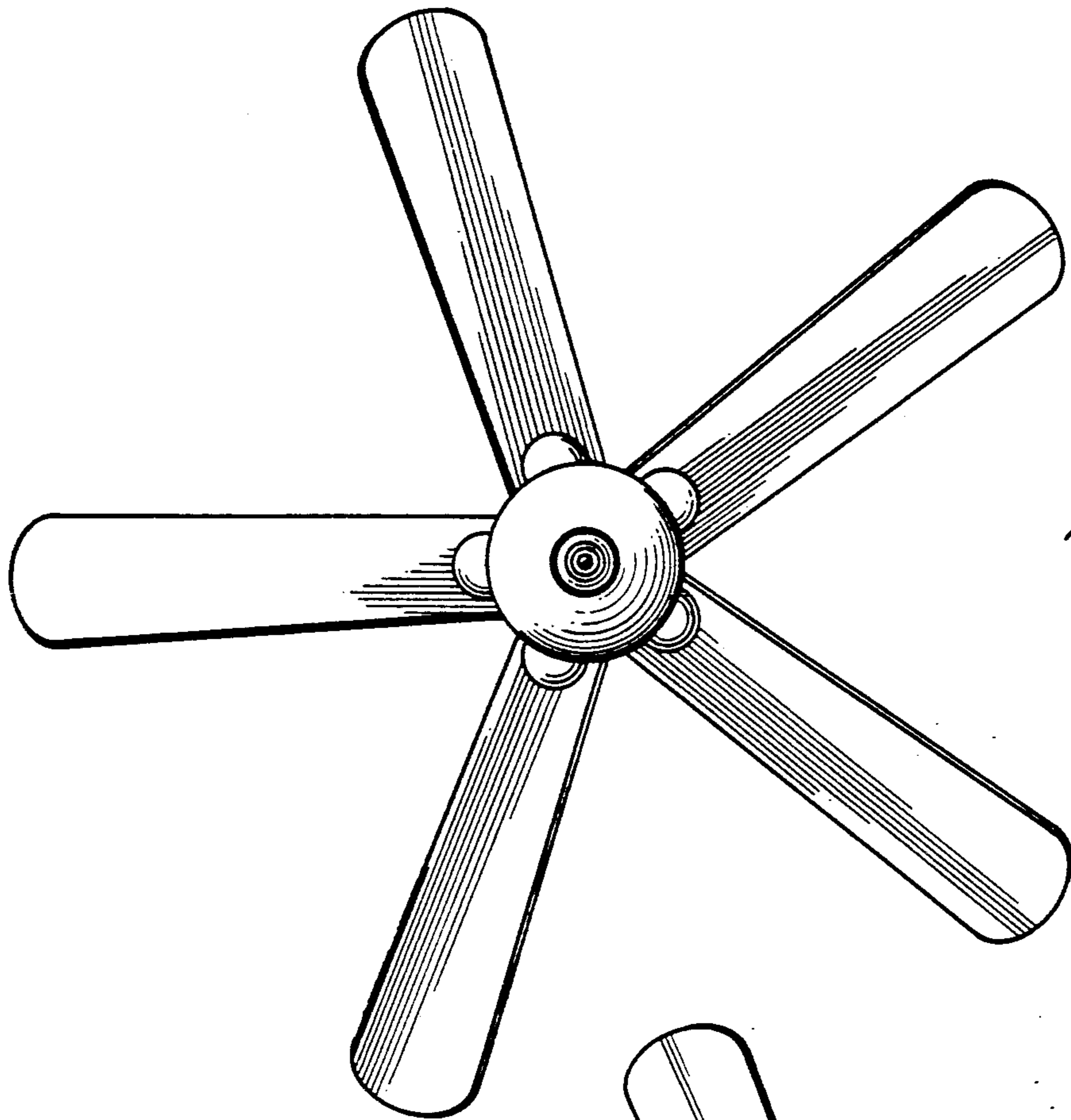
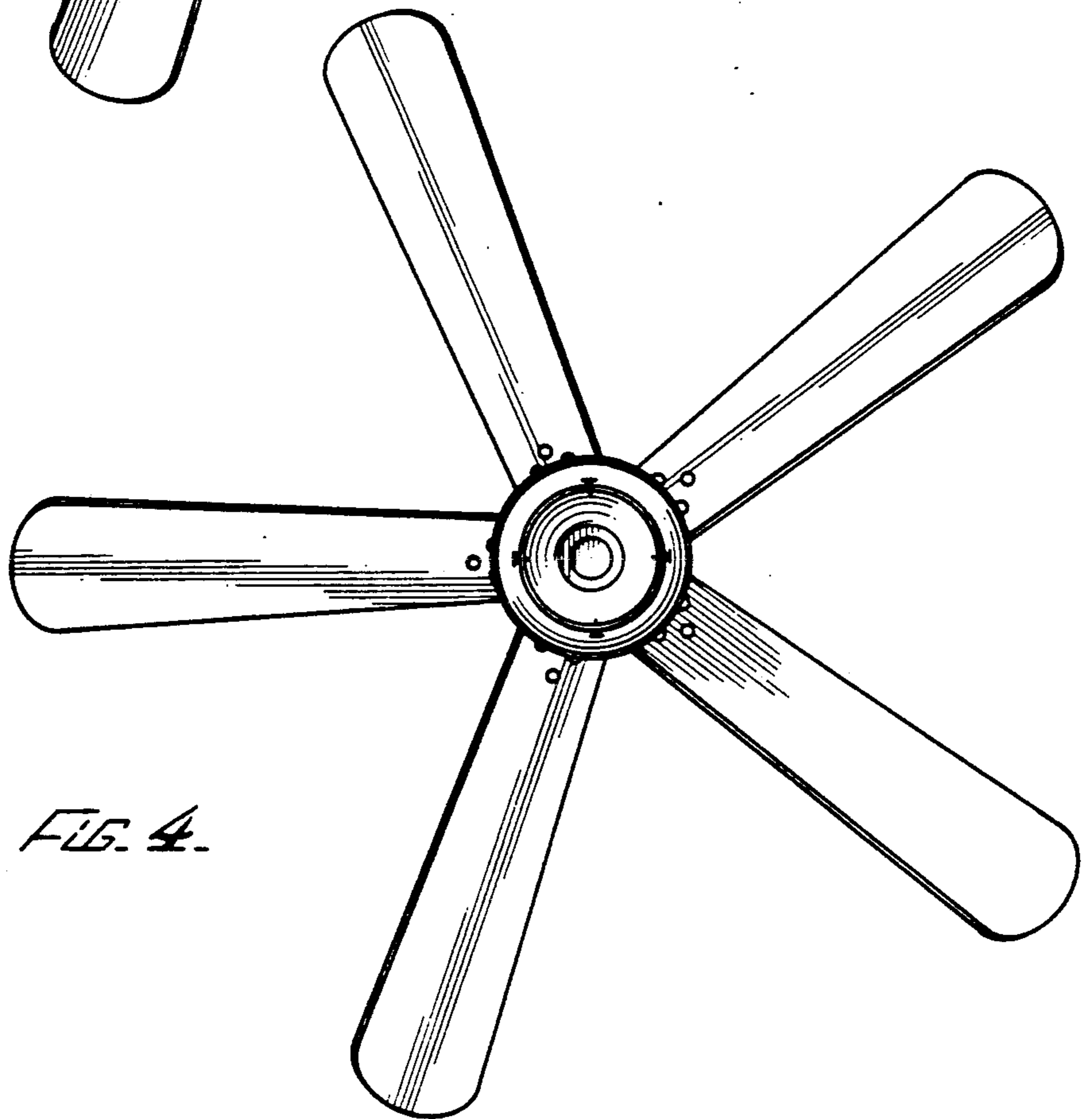


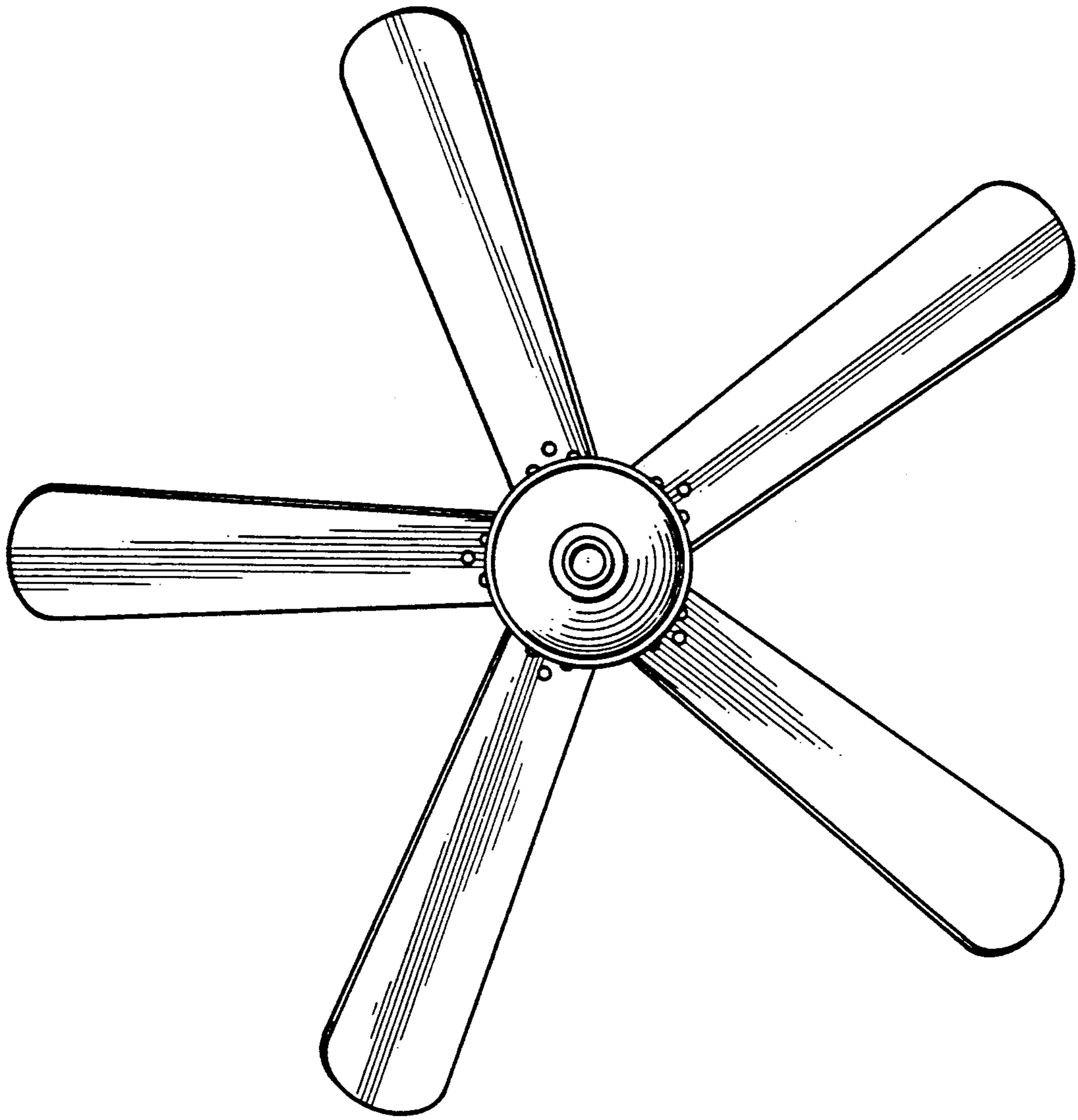
FIG. 2.



*FIG. 3.*



*FIG. 4.*



*FIG. 5.*