

# United States Patent [19]

Primucci et al.

[11] Patent Number: **Des. 322,308**

[45] Date of Patent: **\*\* Dec. 10, 1991**

[54] BATH TUB

[75] Inventors: **Joseph Primucci; Vello Hubel; Alexander M. Gardiner**, all of Toronto, Canada

[73] Assignee: **Mirolin Industries Inc.**, Toronto, Canada

[\*\*] Term: **14 Years**

[21] Appl. No.: **359,426**

[22] Filed: **May 31, 1989**

[52] U.S. Cl. .... **D23/277**

[58] Field of Search ..... **D24/204, 205; D23/270-283, 303-307; 4/513, 538-544, 546, 555, 559, 571-579**

[56] **References Cited**

**U.S. PATENT DOCUMENTS**

- D. 253,124 10/1979 Primault ..... D23/277
- D. 265,582 7/1982 Kohler, Jr. .... D23/281
- D. 275,597 9/1984 Lax ..... D24/205

- D. 278,741 5/1985 Kaiser ..... D23/277
- D. 286,671 11/1986 Griffiths ..... D23/277
- D. 286,808 11/1986 Griffiths ..... D23/281

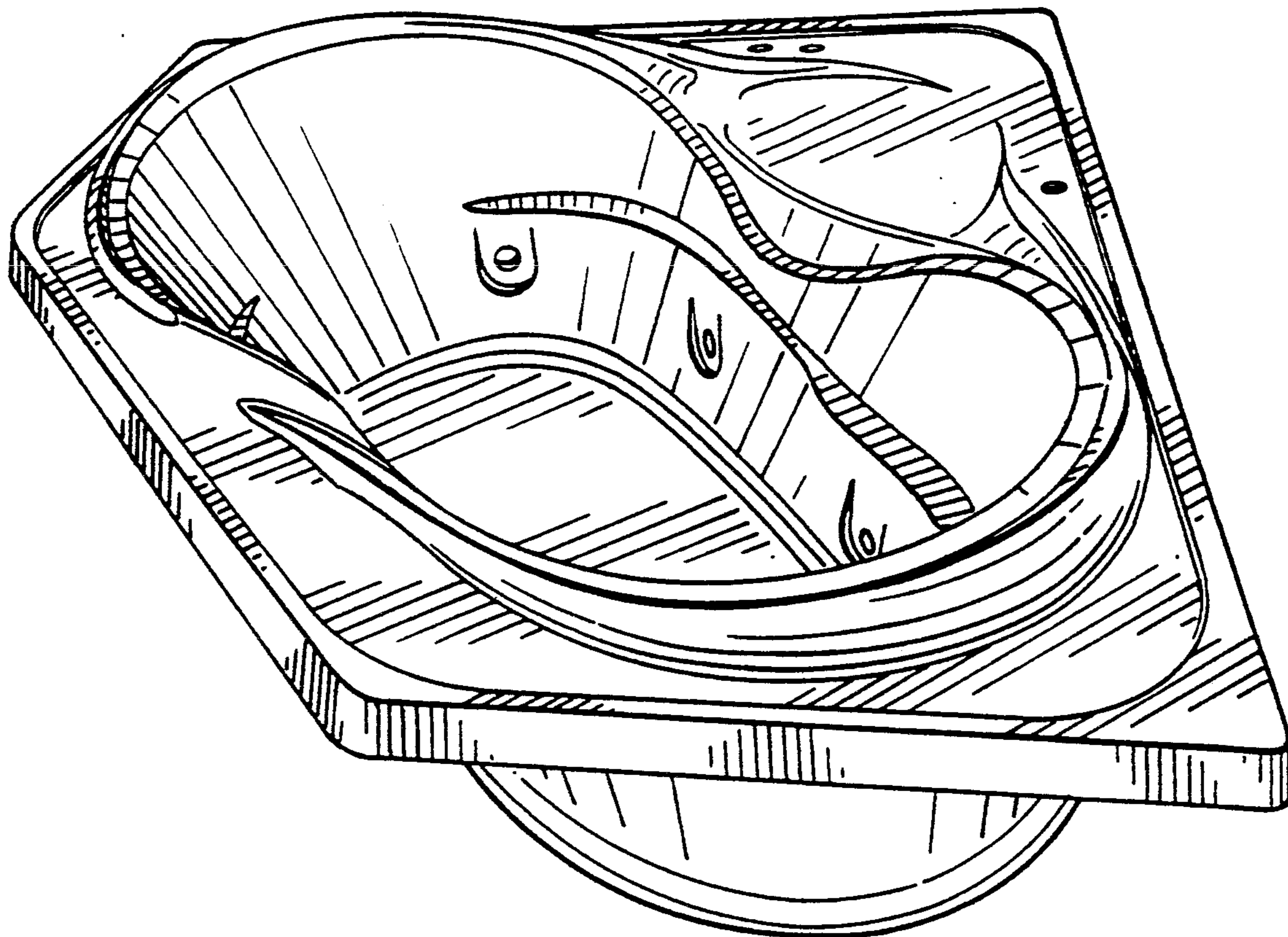
*Primary Examiner*—Susan J. Lucas

[57] **CLAIM**

The ornamental design for a bath tub, as shown.

**DESCRIPTION**

FIG. 1 is a perspective view of a bath tub showing our new design as seen from the top and one side;  
FIG. 2 is a perspective view thereof as seen from the top and opposite side;  
FIG. 3 is a top plan view thereof;  
FIG. 4 is an end elevational view thereof as seen from the right hand end of FIG. 3;  
FIG. 5 is a side elevational view thereof as seen from the bottom of FIG. 3;  
FIG. 6 is an end elevational view thereof as seen from the left hand end of FIG. 3;  
FIG. 7 is a side elevational view thereof as seen from the top of FIG. 3;  
FIG. 8 is a bottom plan view thereof.



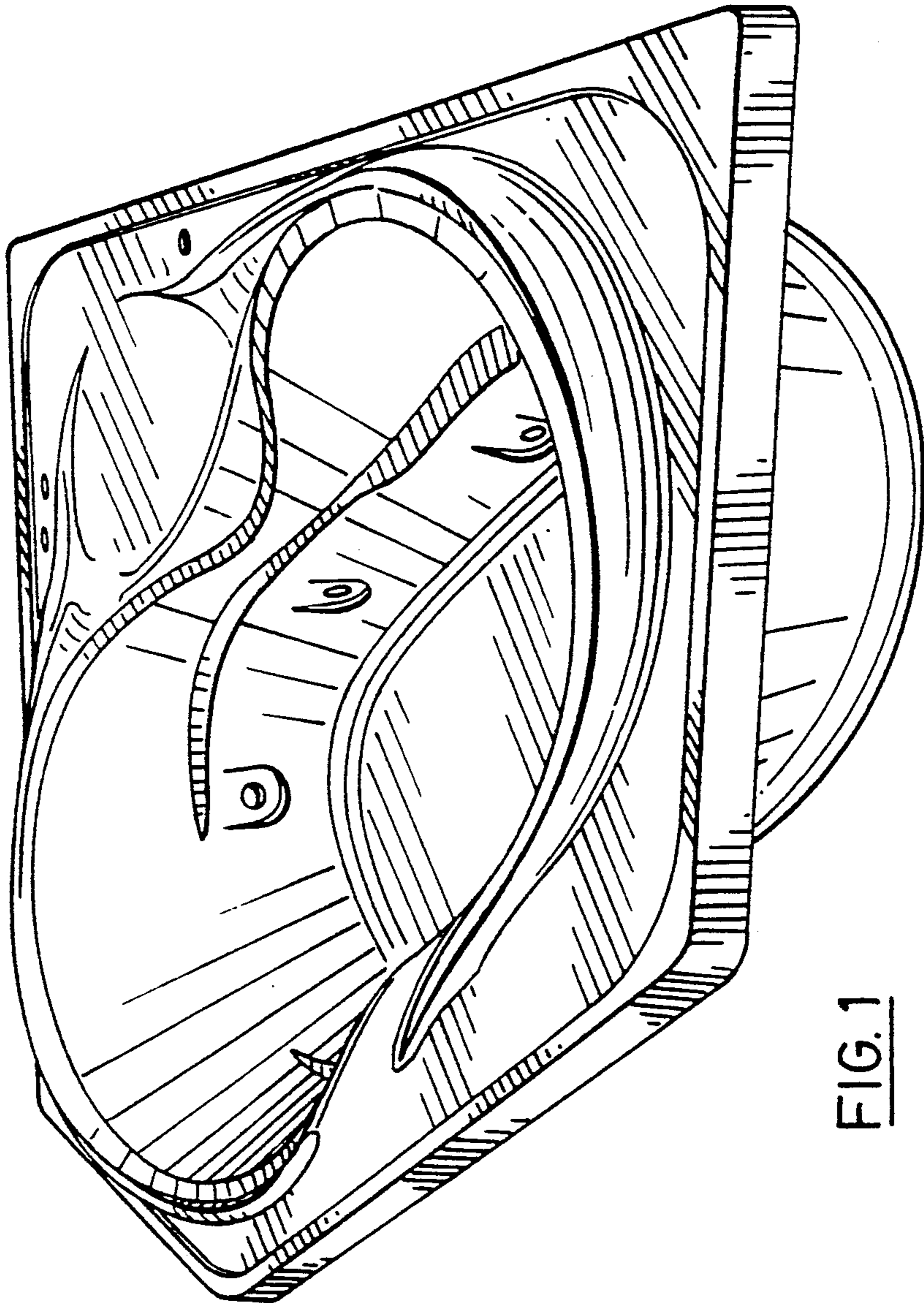


FIG. 1

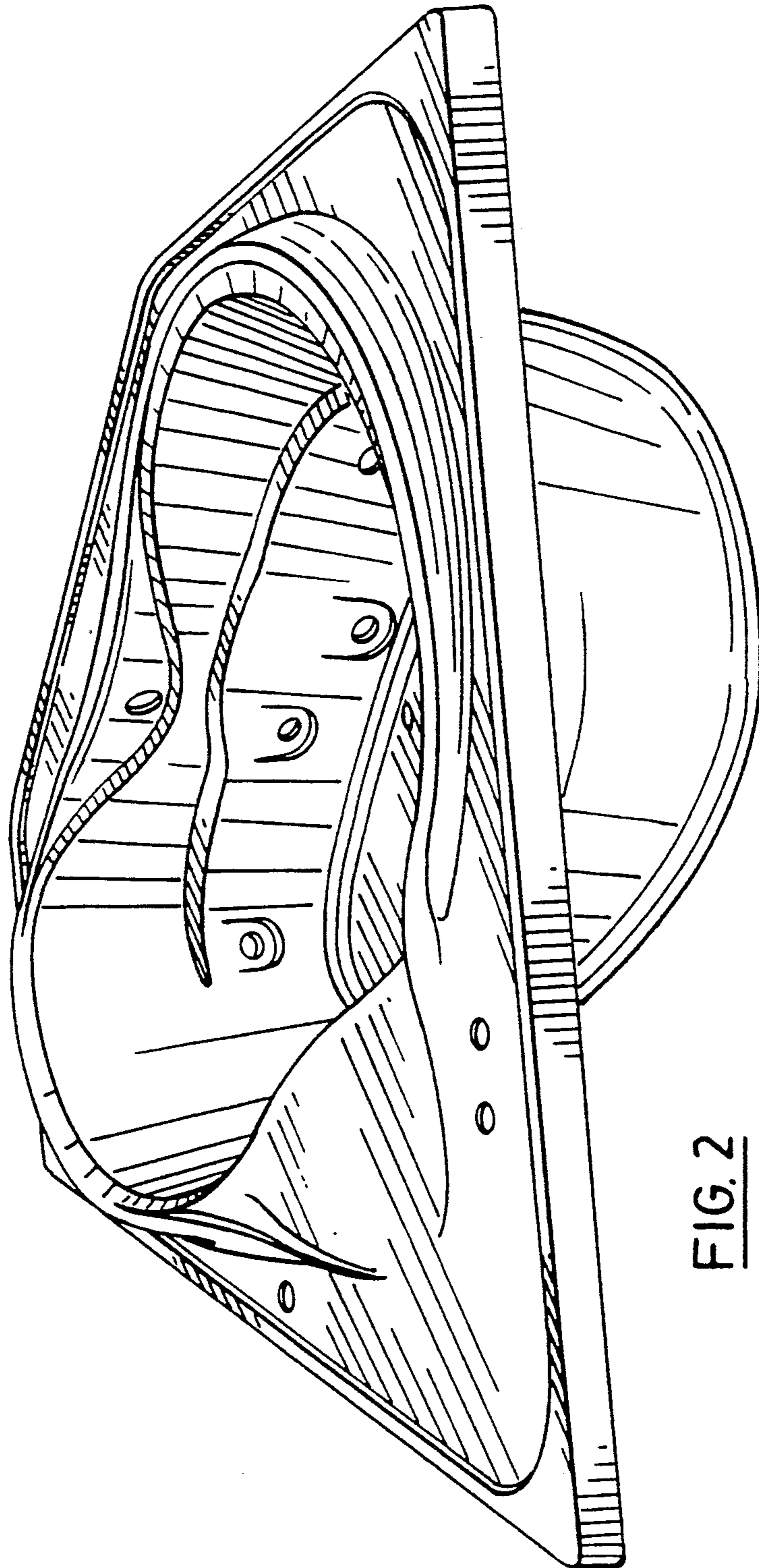


FIG. 2



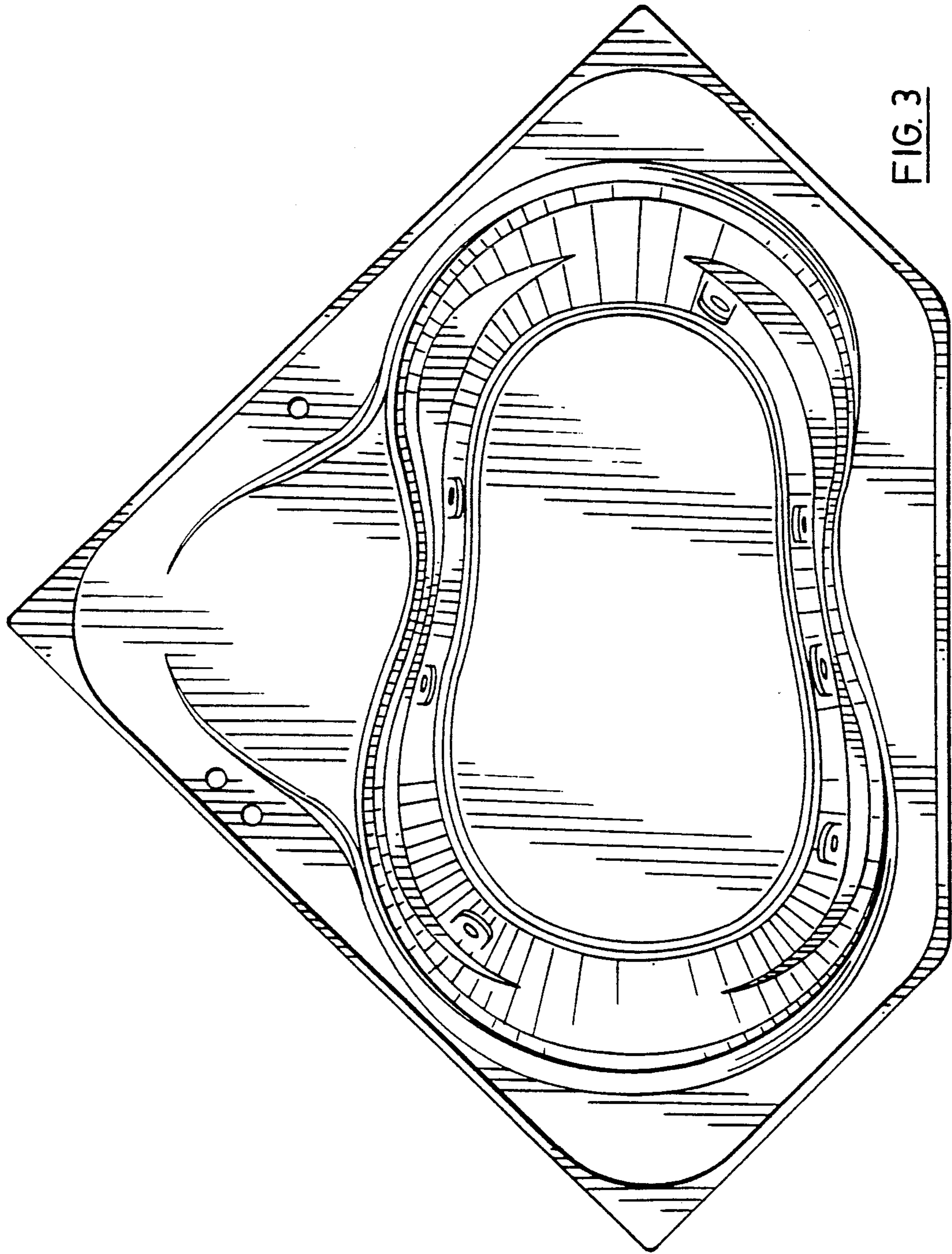
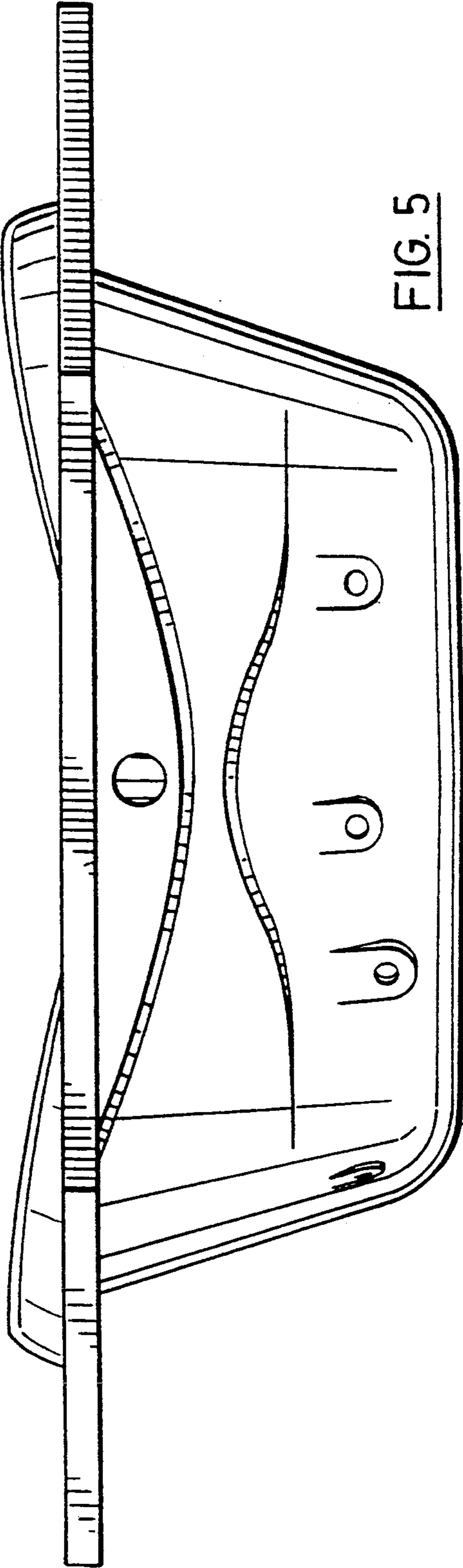
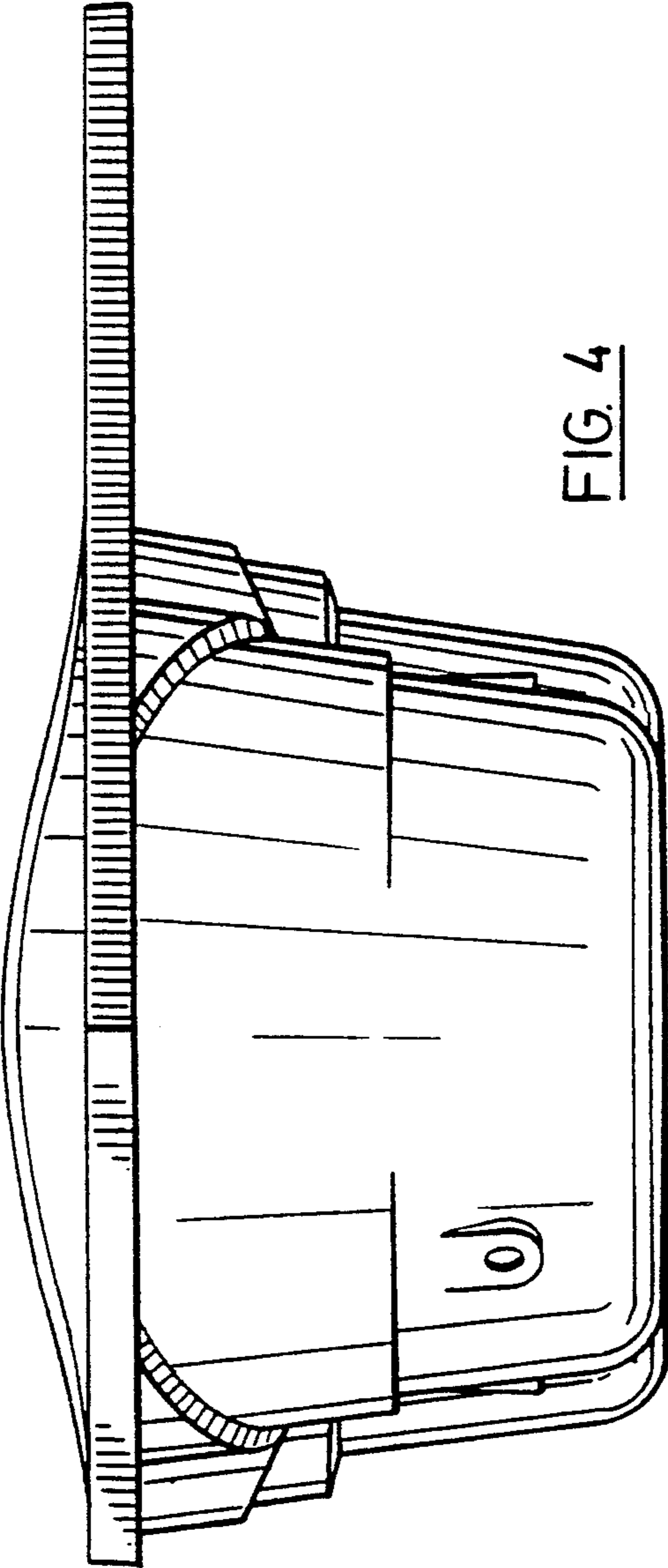
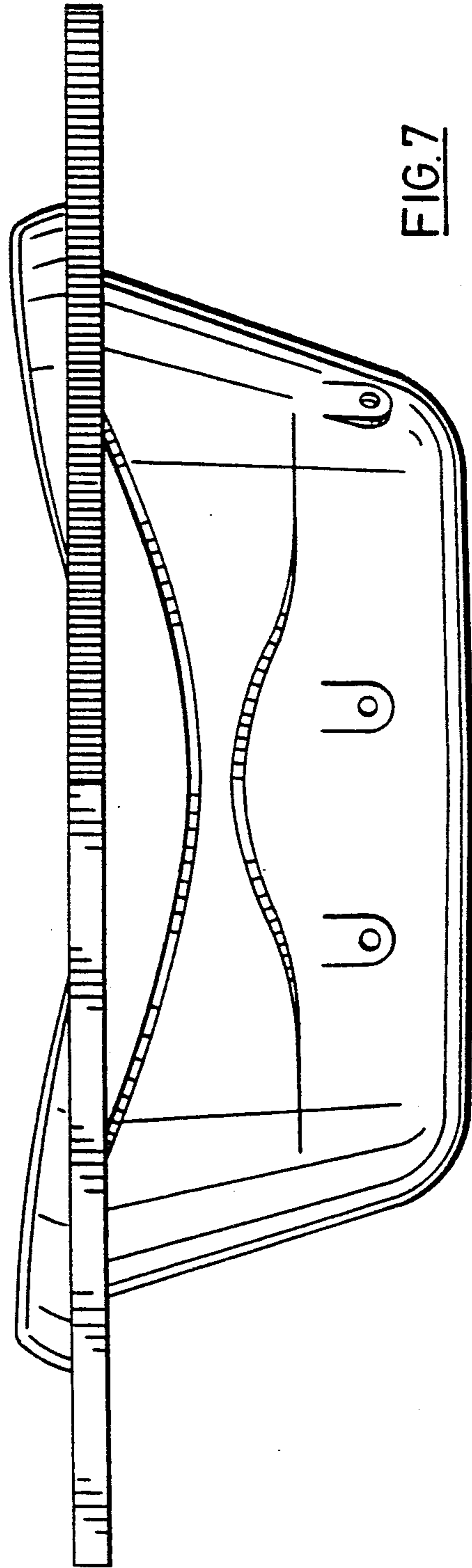
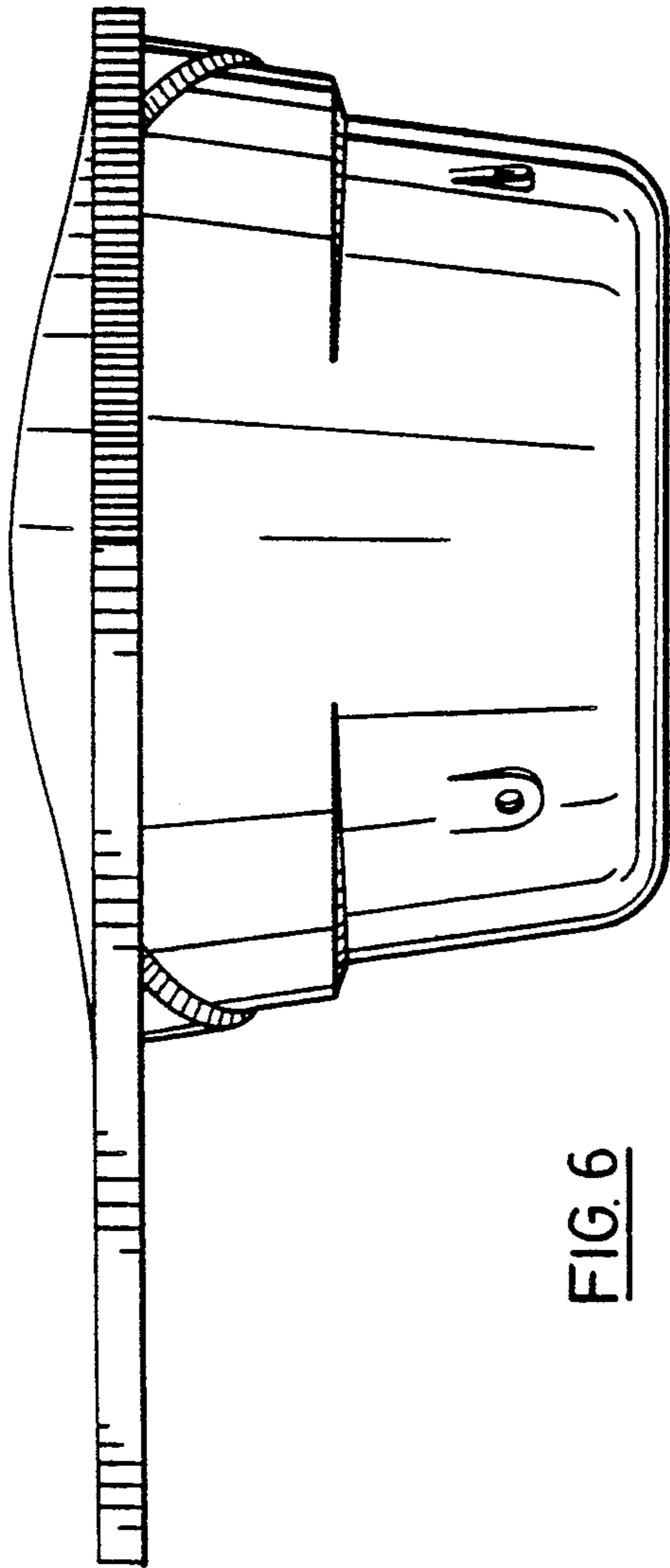


FIG. 3





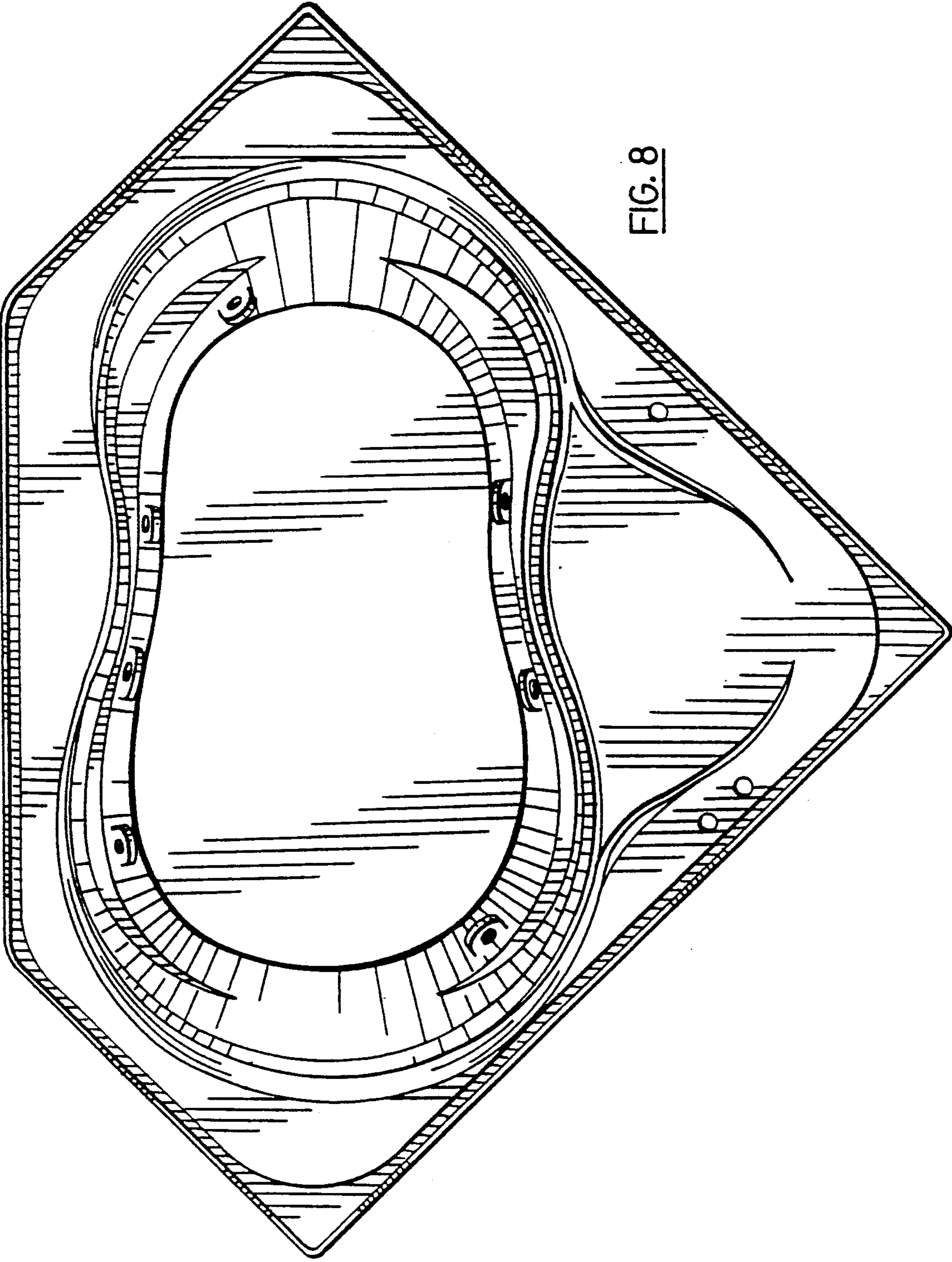


FIG. 8