

[54] **FAUCET HANDLE**
[75] **Inventor: Philippe Chretien, Dietlikon, Switzerland**
[73] **Assignee: KWC AG, Unterkulm, Switzerland**
[**] **Term: 14 Years**
[21] **Appl. No.: 449,740**
[22] **Filed: Dec. 13, 1989**
[30] **Foreign Application Priority Data**
Jun. 13, 1989 [CH] Switzerland 1174/89
[52] **U.S. Cl. D23/252**
[58] **Field of Search D23/238-243, D23/250-254; D8/300, 307-312; 4/191, 192; 16/118, 121; 137/801**

[56] **References Cited**
U.S. PATENT DOCUMENTS
D. 219,739 1/1971 Niemann D23/238
D. 219,779 1/1971 Tiller D23/238
D. 219,780 1/1971 Niemann D23/238

D. 223,913 6/1972 Niemann D23/252
D. 227,465 6/1973 Genaro et al. D23/238
D. 297,257 8/1988 Kohler, Jr. et al. D23/252
D. 297,357 8/1988 Spangler D23/252
D. 306,336 2/1990 Oberdorfer D23/252
D. 309,655 7/1990 Reinecke D23/238
4,525,894 7/1985 Knapp 16/111 R

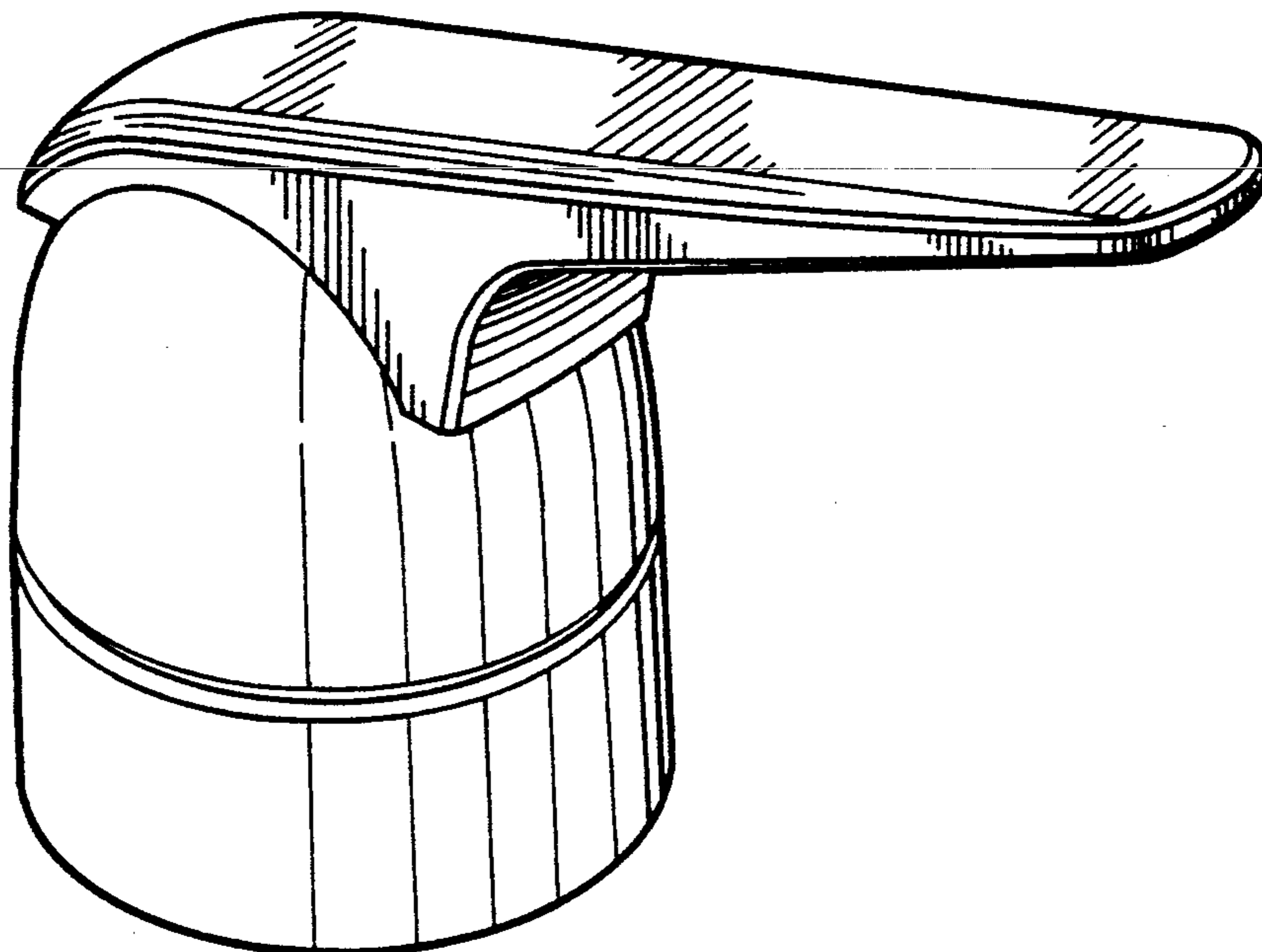
OTHER PUBLICATIONS

Domestic Engineering, Jul. 1960, p. 166, "Delta" item.
Primary Examiner—James R. Lagen
Attorney, Agent, or Firm—Oblon, Spivak, McClelland, Maier & Neustadt

[57] **CLAIM**
The ornamental design for faucet handle, as shown.

DESCRIPTION

FIG. 1 is a right side elevational view of faucet handle embodying my new design;
FIG. 2 is a left side elevational view thereof;
FIG. 3 is a perspective view thereof;
FIG. 4 is a front elevational view thereof; and
FIG. 5 is a top plan view thereof.



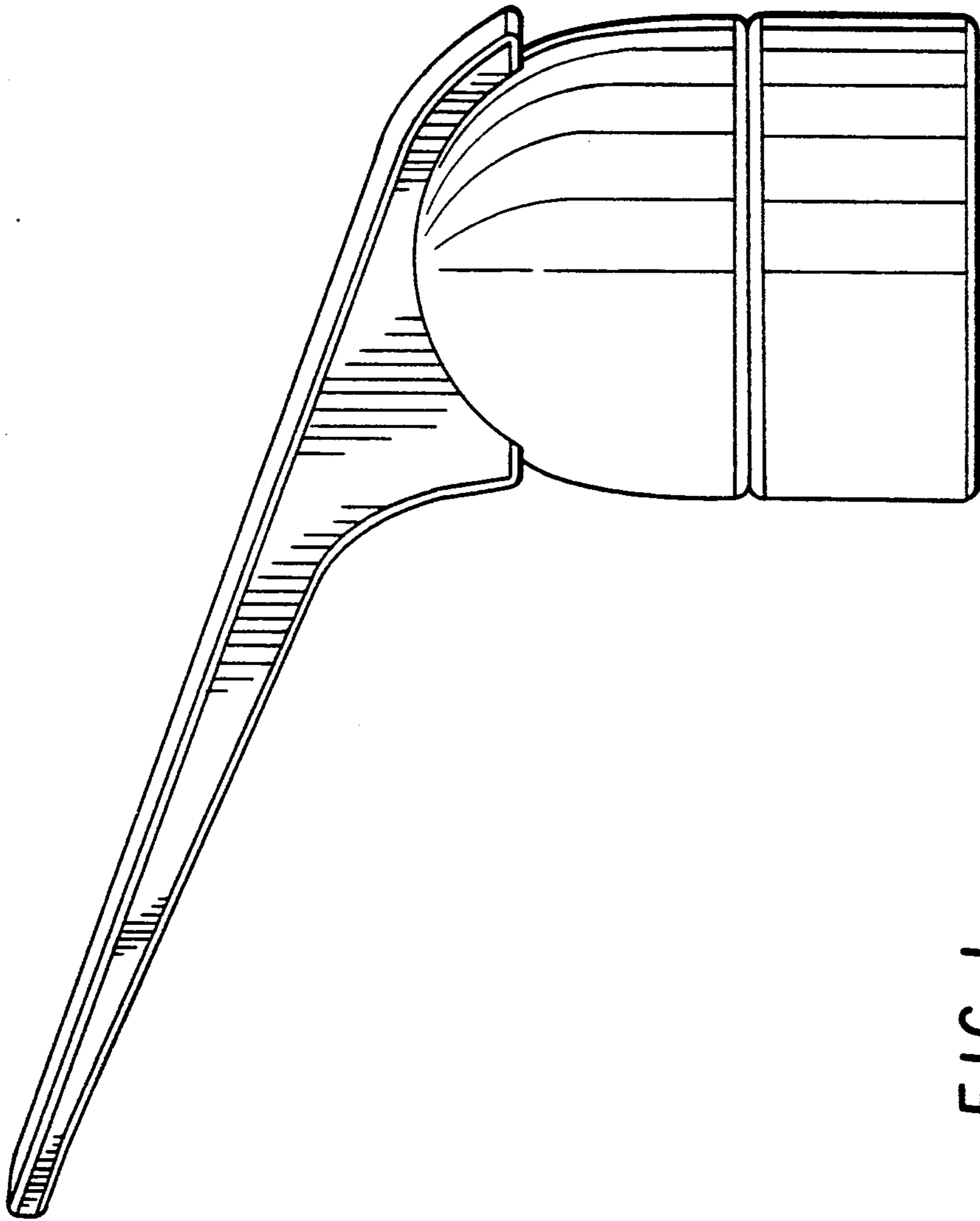


FIG. 1

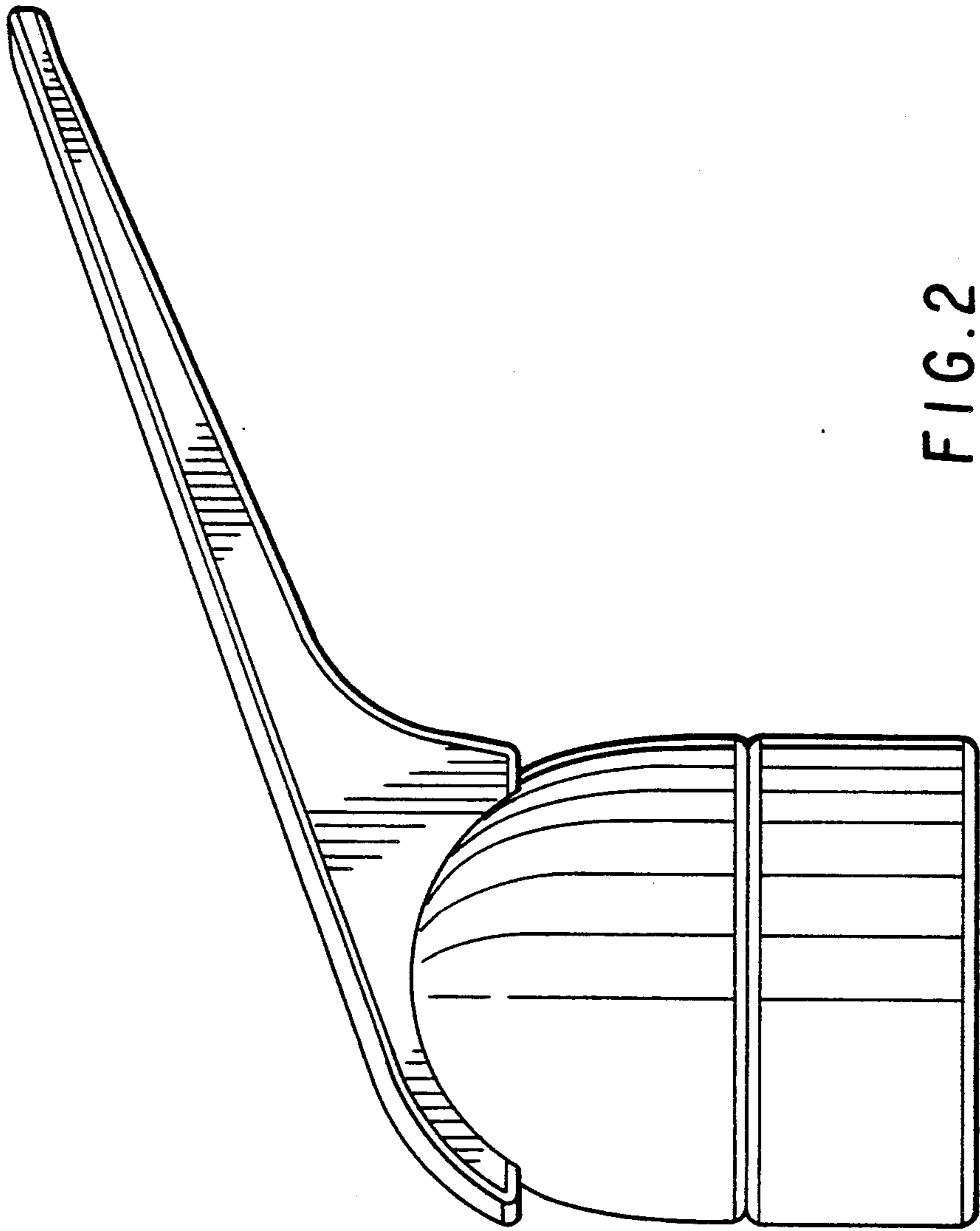


FIG. 2

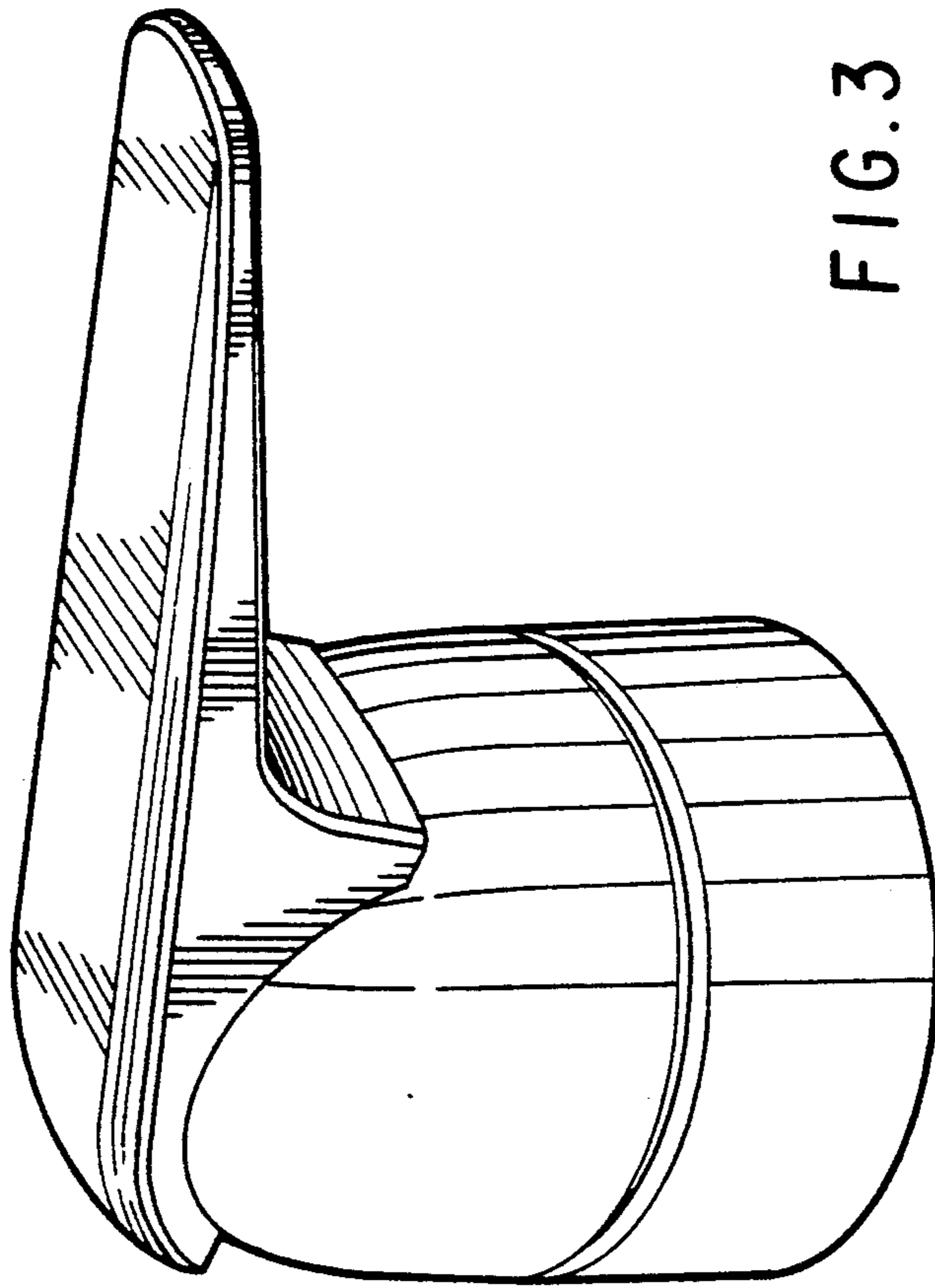


FIG. 3

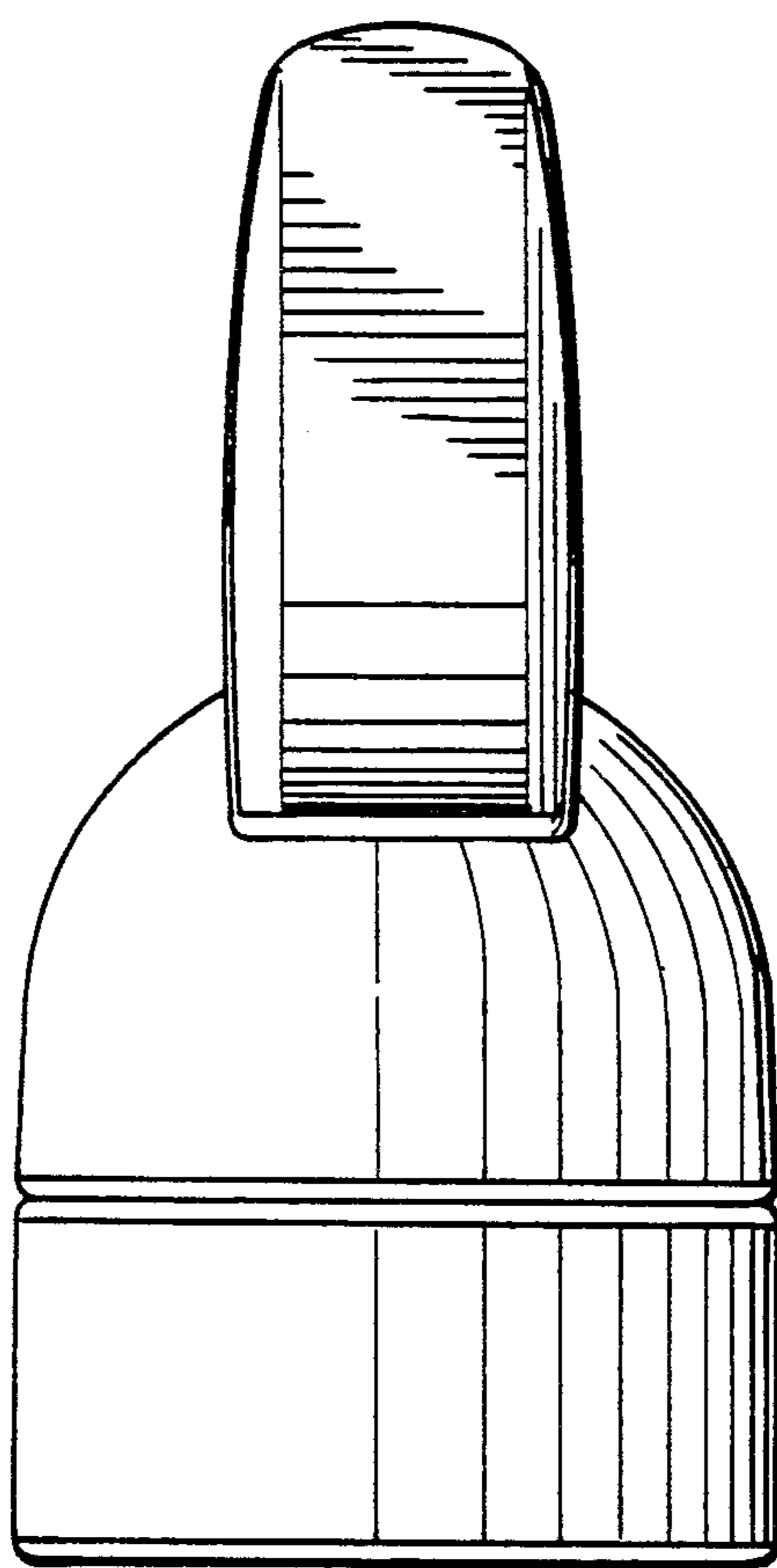


FIG. 4

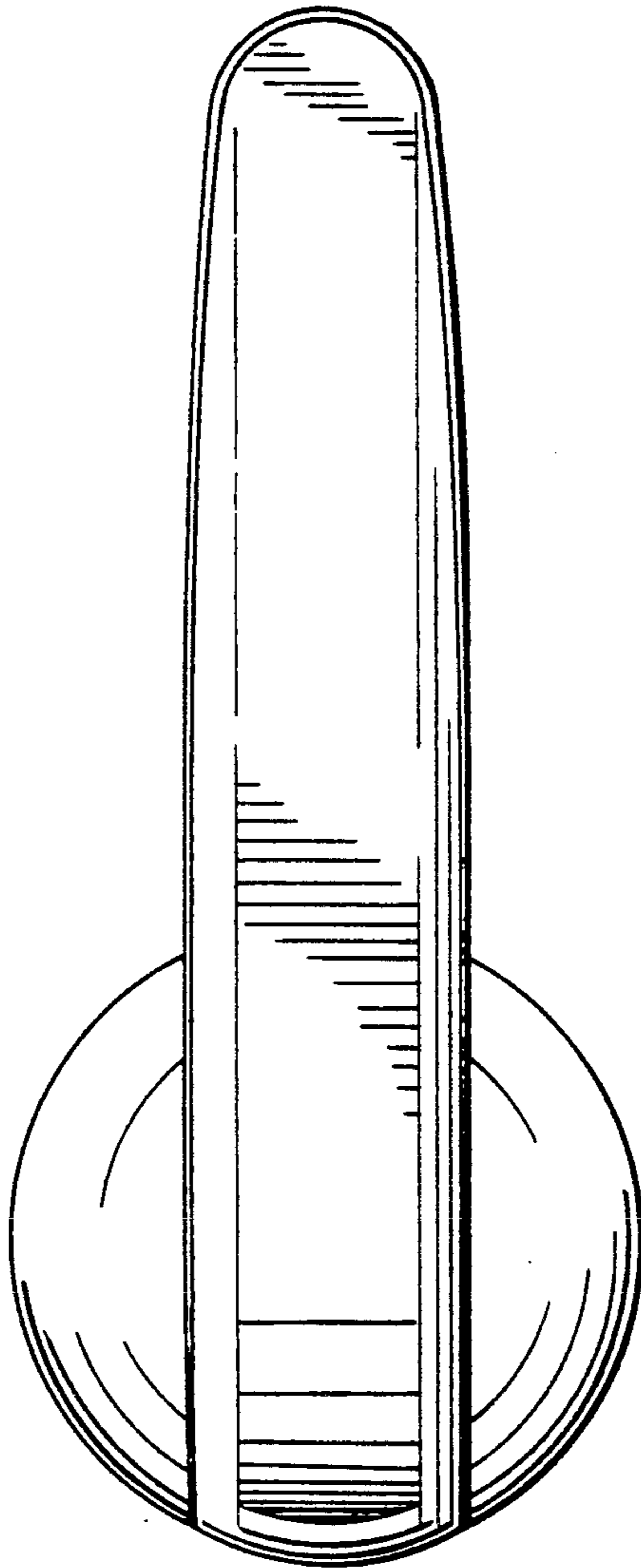


FIG. 5