

[54] **BOW SIGHT**

[76] **Inventor: Robert D. Greene, Rte. 2, Box 322,
Decatur, Ala. 35603**

[**] **Term: 14 Years**

[21] **Appl. No.: 364,984**

[22] **Filed: Jun. 12, 1989**

[52] **U.S. Cl. D22/107**

[58] **Field of Search D22/107; 33/261, 265;
124/87-89**

[56] **References Cited**

U.S. PATENT DOCUMENTS

D. 292,523	10/1987	Raab	D22/107
2,998,652	9/1961	Zielinski	33/265
3,058,221	10/1962	McNeel	33/265
3,320,670	5/1967	Ambraziatis	33/265
3,368,282	2/1968	Gibson et al.	33/265
3,715,807	2/1973	Heffer	33/265
4,535,544	8/1985	Jones et al.	33/265

Primary Examiner—Wallace R. Burke

Assistant Examiner—H. Baynham
Attorney, Agent, or Firm—Phillips & Beumer

[57] **CLAIM**

The ornamental design for a bow sight, as shown and described.

DESCRIPTION

FIG. 1 is a perspective view of a bow sight showing my new design with the dashed lines showing a portion of the bow handle being for illustrative purposes only and forming no part of the claimed design;

FIG. 2 is an enlarged rear elevational view thereof;

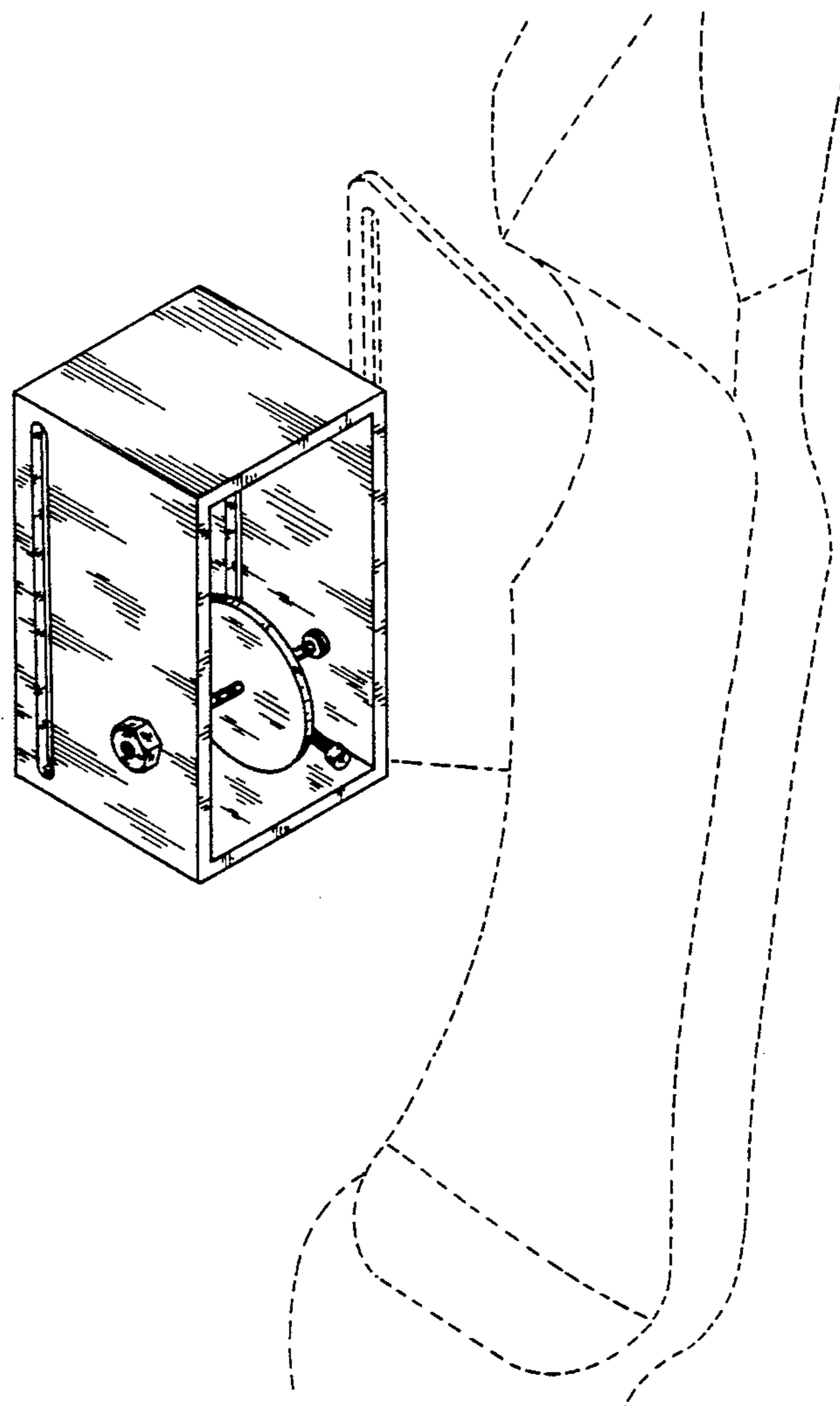
FIG. 3 is an enlarged right side elevational view thereof with the opposite side being a mirror image thereof;

FIG. 4 is a front elevational view thereof;

FIG. 5 is a left side elevational view of the circular attachment with the supporting rod shown in section as indicated by line 5—5 in FIG. 4;

FIG. 6 is a right side elevational view of the circular attachment with the supporting rod shown in section as indicated by line 6—6 in FIG. 4.

Circular attachment in FIGS. 5 and 6 is shown detached from the bow sight casing for clarity of illustration only.



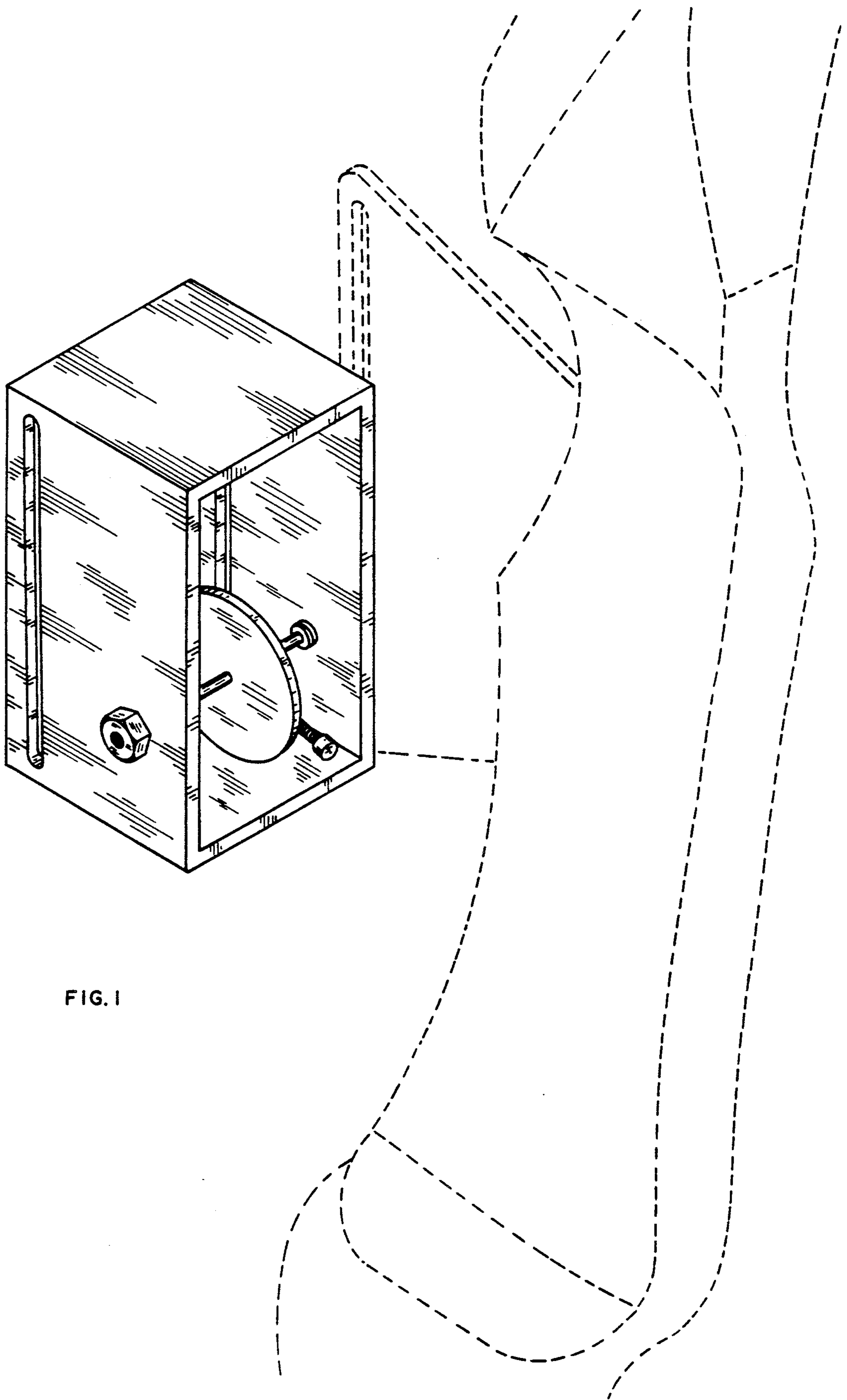


FIG. 1

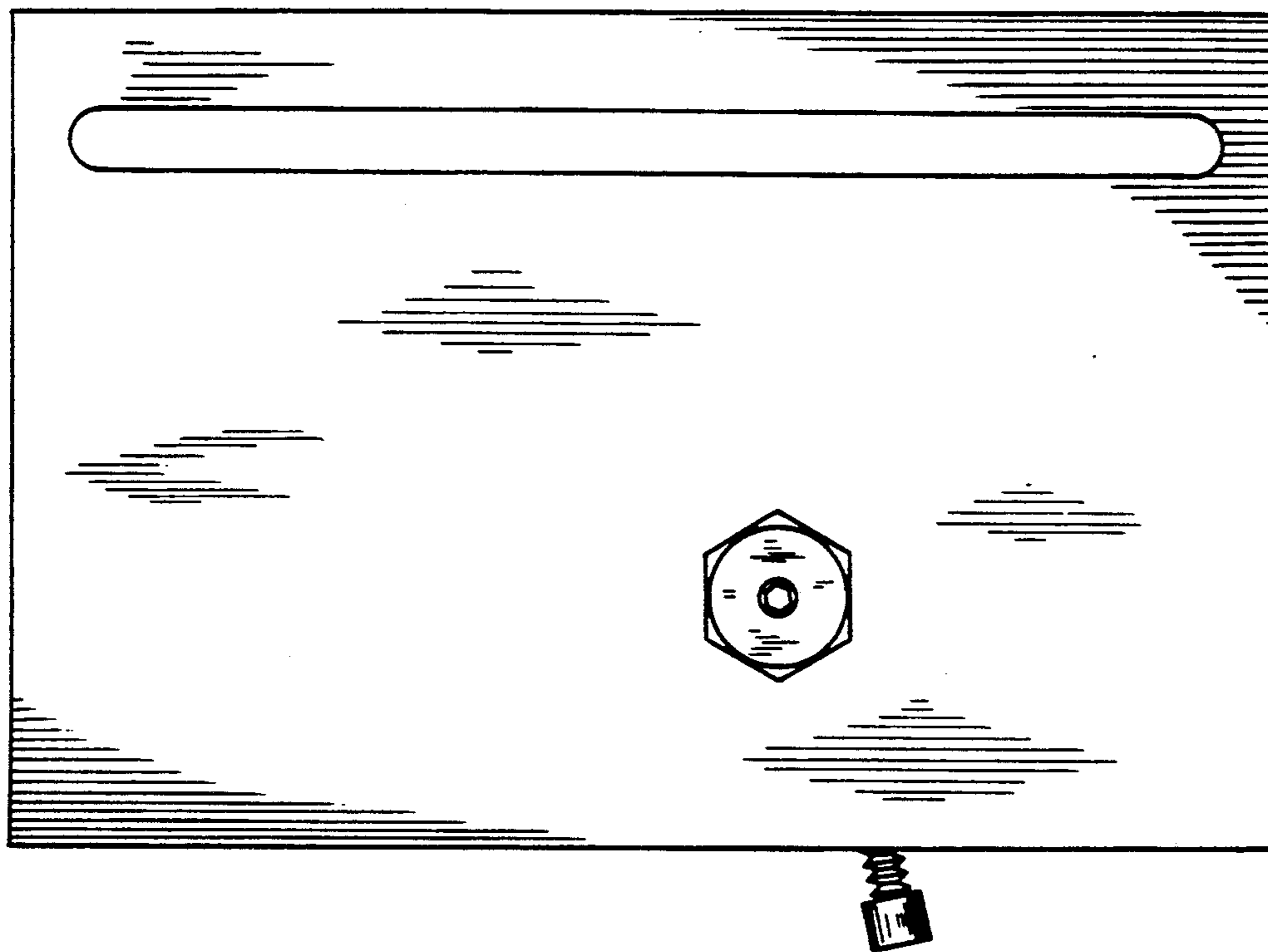


FIG. 3

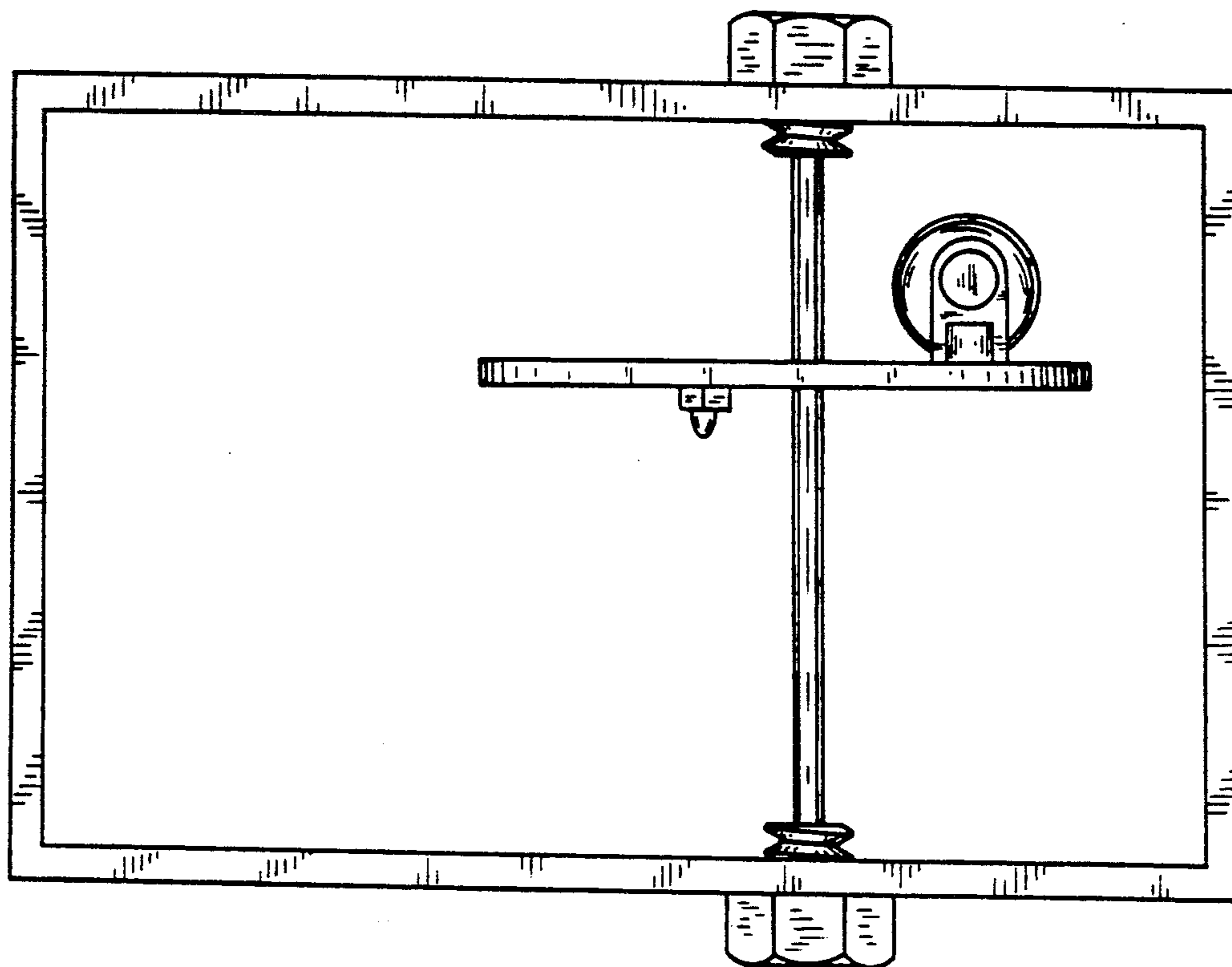


FIG. 2

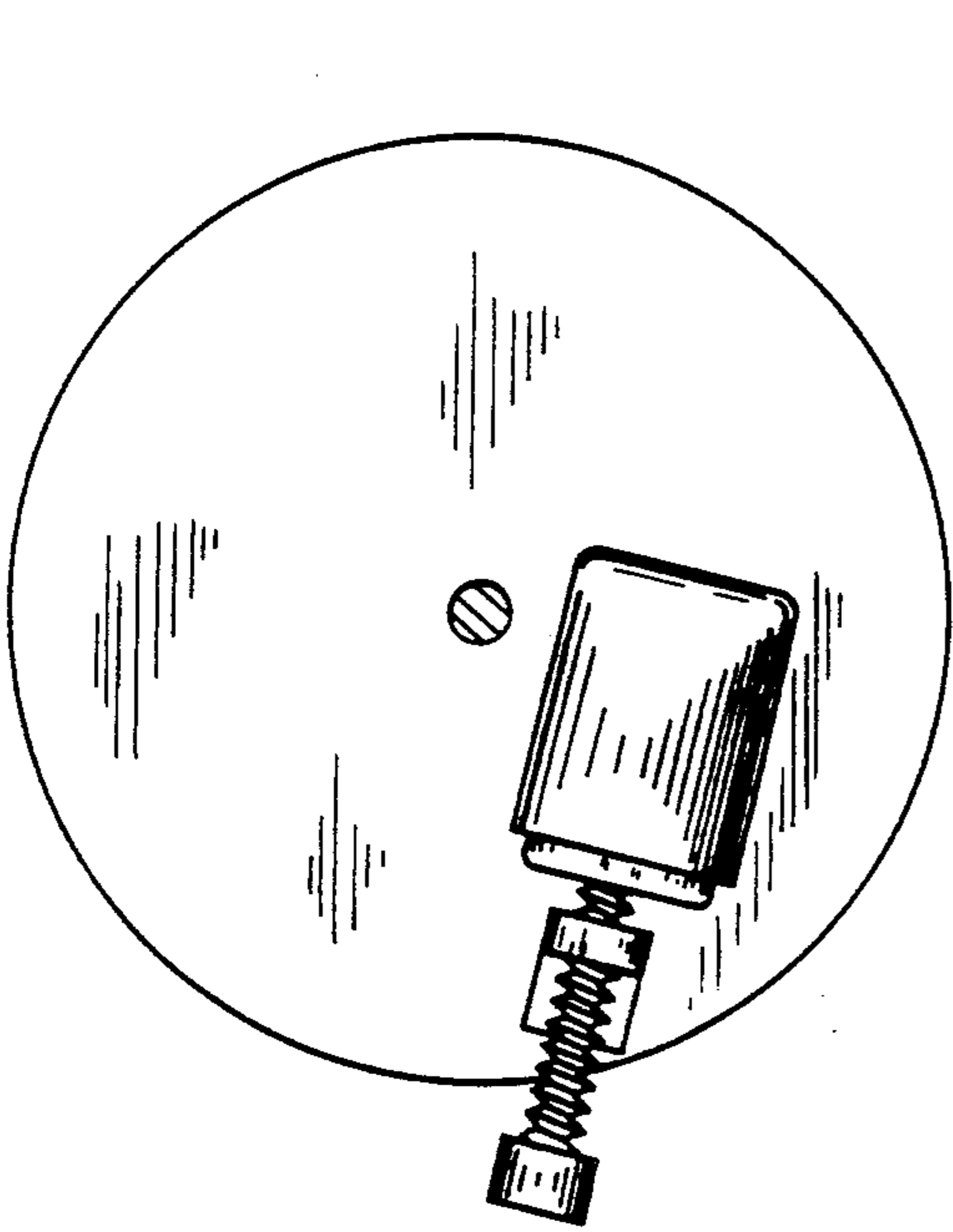


FIG. 6

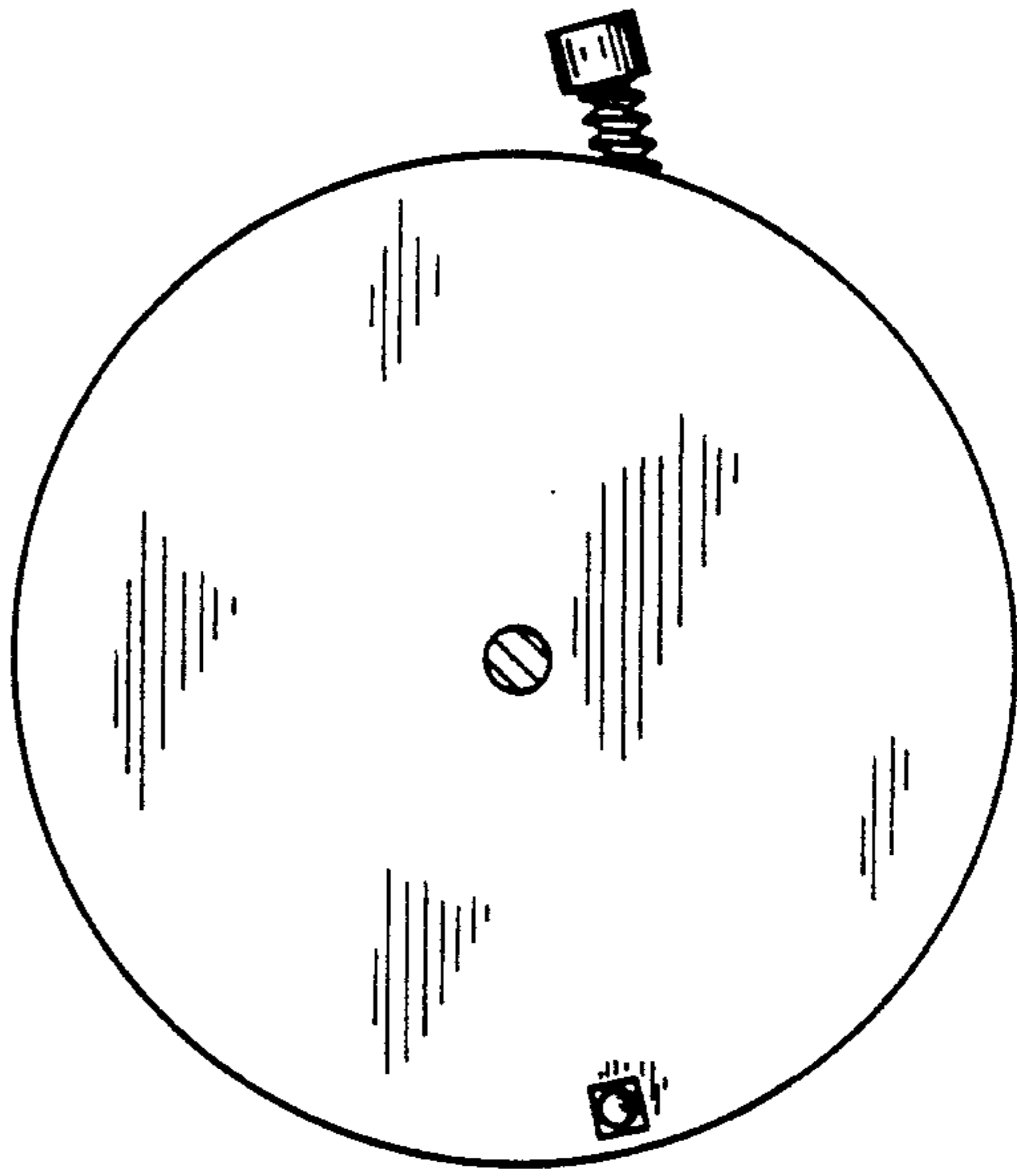


FIG. 5

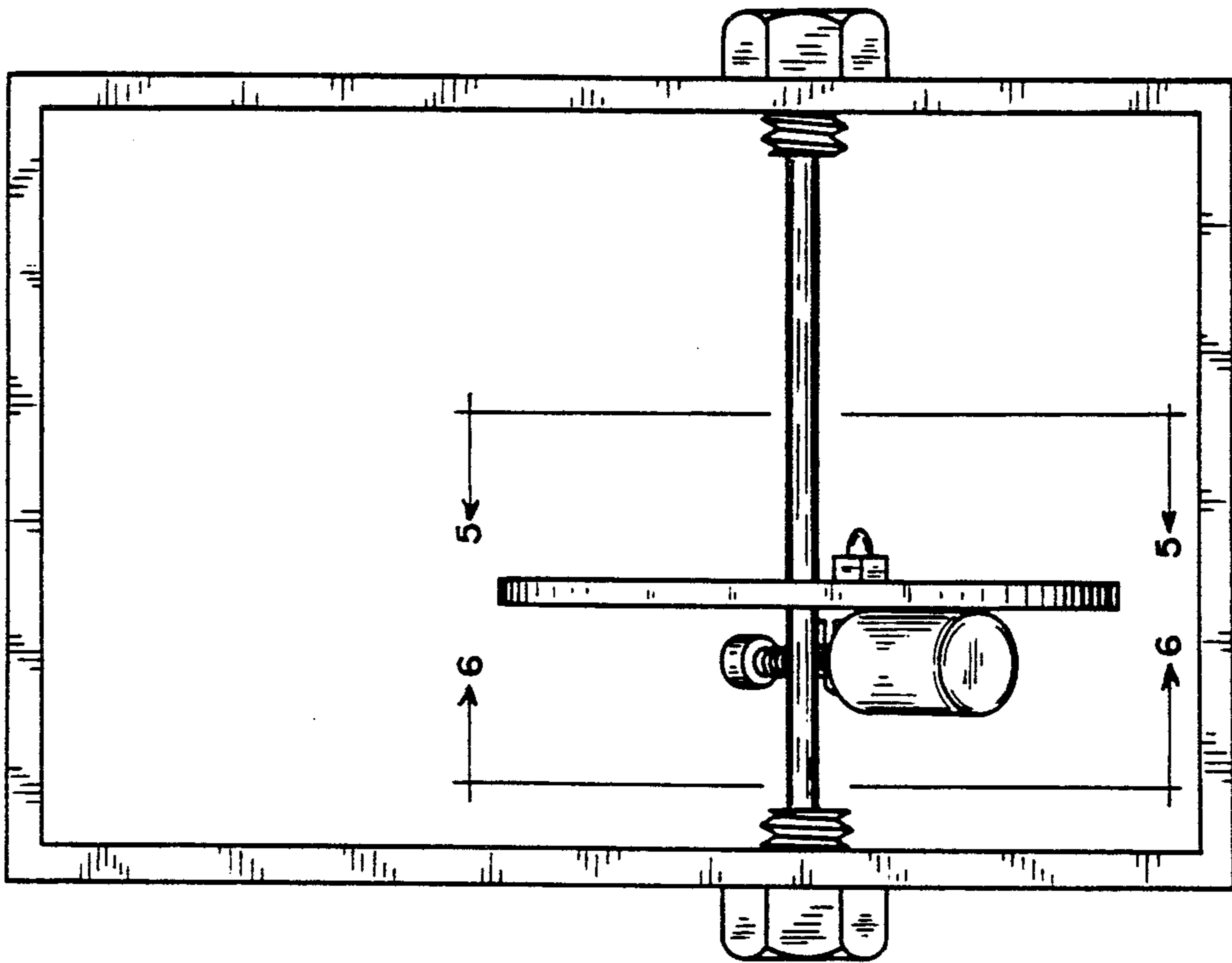


FIG. 4