

# United States Patent [19]

Provence et al.

[11] Patent Number: **Des. 322,300**

[45] Date of Patent: **\*\* Dec. 10, 1991**

[54] **GUIDANCE RIB FOR CROSS COUNTRY SKI BINDING**

4,674,766 6/1987 Ramer ..... 280/614  
4,718,694 1/1988 Brice et al. .... 280/614 X

[75] Inventors: **Marc Provence,**  
Thorens-Les-Glieres; **Didier Rousset,**  
Lescheraines; **Josiane Dunand,** Cran  
Gevrier, all of France

### FOREIGN PATENT DOCUMENTS

2443853 7/1980 France .  
2450618 10/1980 France .

[73] Assignee: **Salomon S.A.,** Annecy Cedex,  
France

*Primary Examiner*—Bernard Ansher  
*Assistant Examiner*—Dominic Simone  
*Attorney, Agent, or Firm*—Sandler, Greenblum &  
Bernstein

[\*\*] Term: **14 Years**

[21] Appl. No.: **345,527**

### [57] CLAIM

The ornamental design for a guidance rib for cross country ski binding, as shown and described.

[22] Filed: **May 1, 1989**

### [30] Foreign Application Priority Data

Oct. 31, 1988 [XH] Hague ..... DM/012078  
Feb. 6, 1989 [XH] Hague ..... DM/012766

[52] U.S. Cl. .... **D21/230**

[58] Field of Search ..... D21/230, 229; 280/611,  
280/614, 615

### DESCRIPTION

FIG. 1 is a rear elevational view of a guidance rib for a cross country ski binding showing my new design; FIG. 2 is a front perspective view thereof; FIG. 3 is a front elevational view thereof; FIG. 4 is a left side elevational view thereof; FIG. 5 is a top plan view thereof; FIG. 6 is a right side elevational view thereof; FIG. 7 is a bottom plan view thereof; FIG. 8 is a bottom plan view of a second embodiment of FIG. 1, the top and sides being identical to that shown in FIGS. 1-6.

### [56] References Cited

#### U.S. PATENT DOCUMENTS

4,310,170 1/1982 Linecker ..... 280/615 X  
4,487,427 12/1984 Salomon ..... 280/615

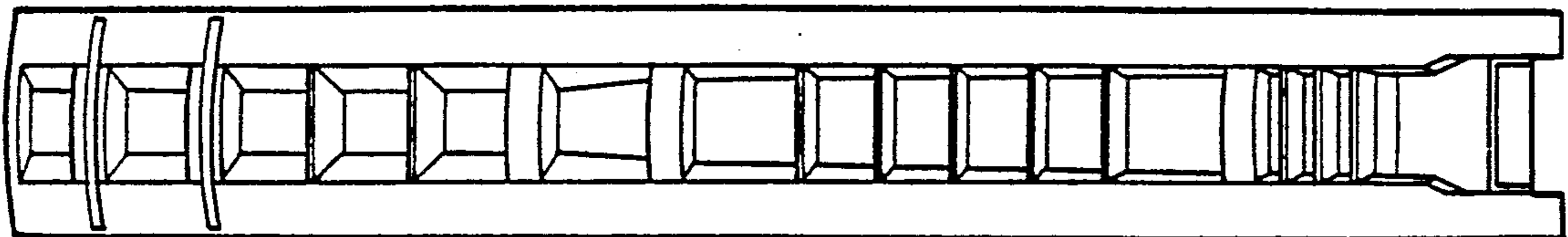
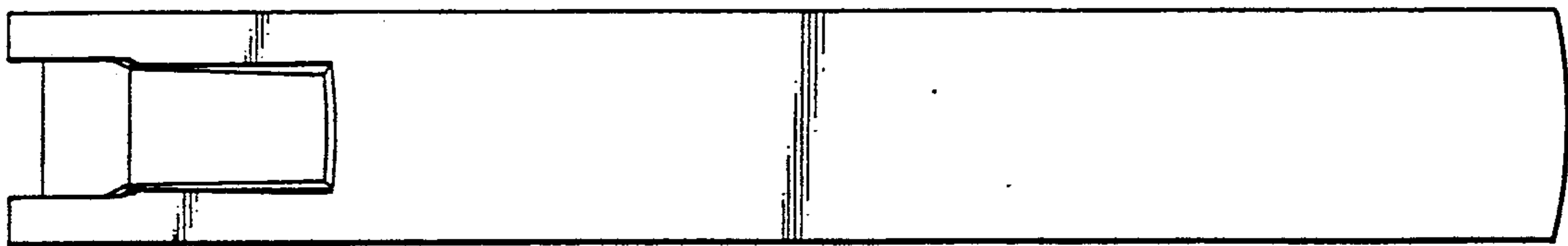




Fig. 1

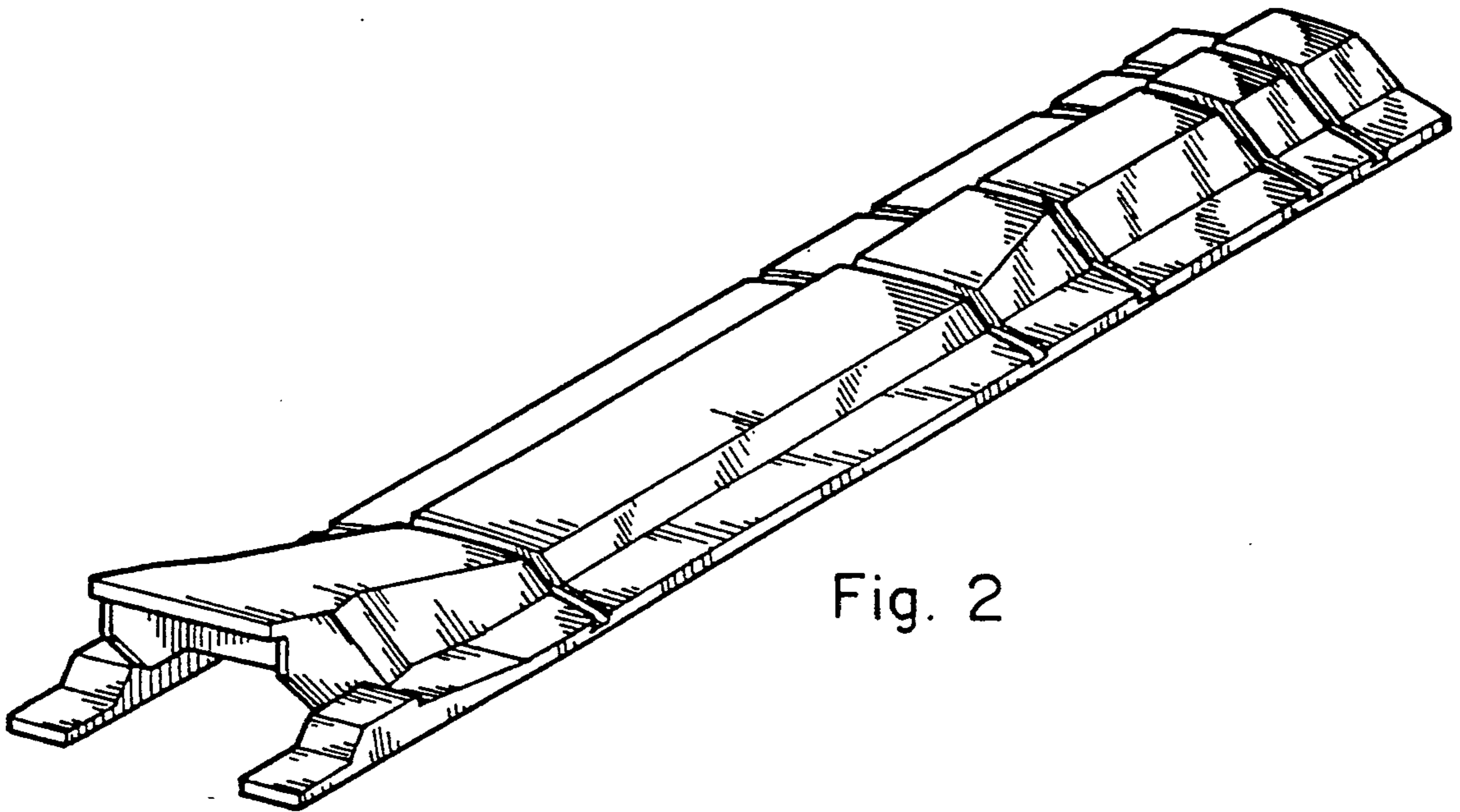


Fig. 2



Fig. 3



Fig. 4

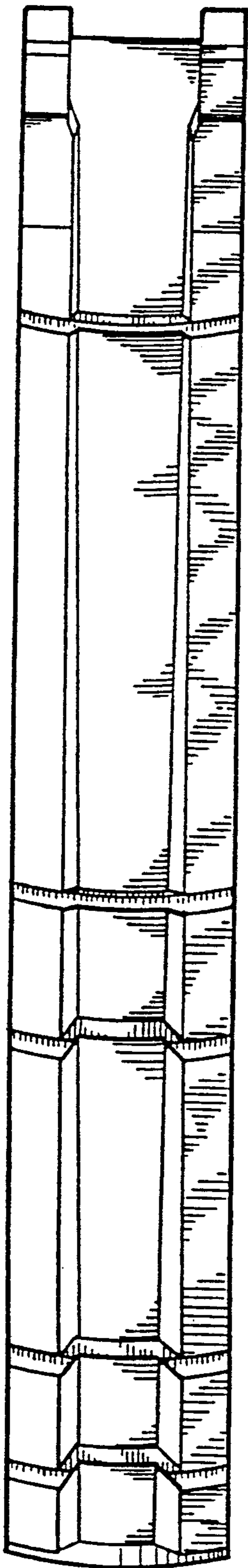


Fig. 5

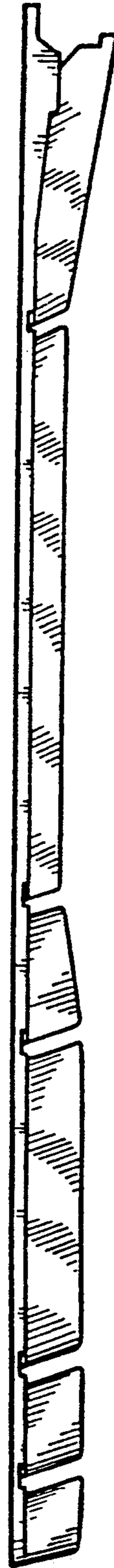


Fig. 6

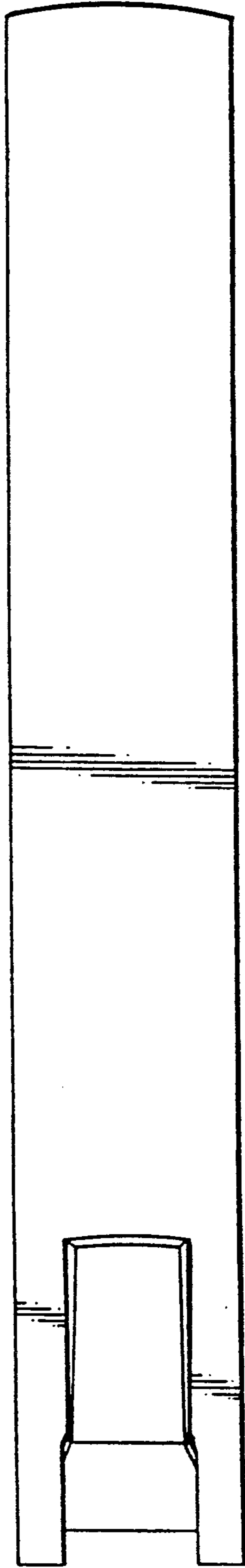


Fig. 7

Fig. 8

