

# United States Patent [19]

**Pataki**

[11] Patent Number: **Des. 322,294**

[45] Date of Patent: **\*\* Dec. 10, 1991**

[54] **ROCKING TOY**

[76] Inventor: **Joseph Pataki**, 797 Cobb St., Groton, N.Y. 13073

[\*\*] Term: **14 Years**

[21] Appl. No.: **319,468**

[22] Filed: **Mar. 6, 1989**

[52] U.S. Cl. .... **D21/66**

[58] Field of Search ..... **D21/59, 66; 272/1 D, 272/33 A; 273/447; 446/396**

[56] **References Cited**

**U.S. PATENT DOCUMENTS**

D. 247,323	2/1978	Risberg .....	D21/66
2,471,528	5/1949	Kling .....	272/33 A
2,878,858	3/1959	Winchester .....	272/33 A

3,267,701	7/1966	Howland .....	272/33 A
3,381,735	4/1968	Rigby .....	272/33 A
3,703,111	11/1972	Goggi et al. ....	272/1 B

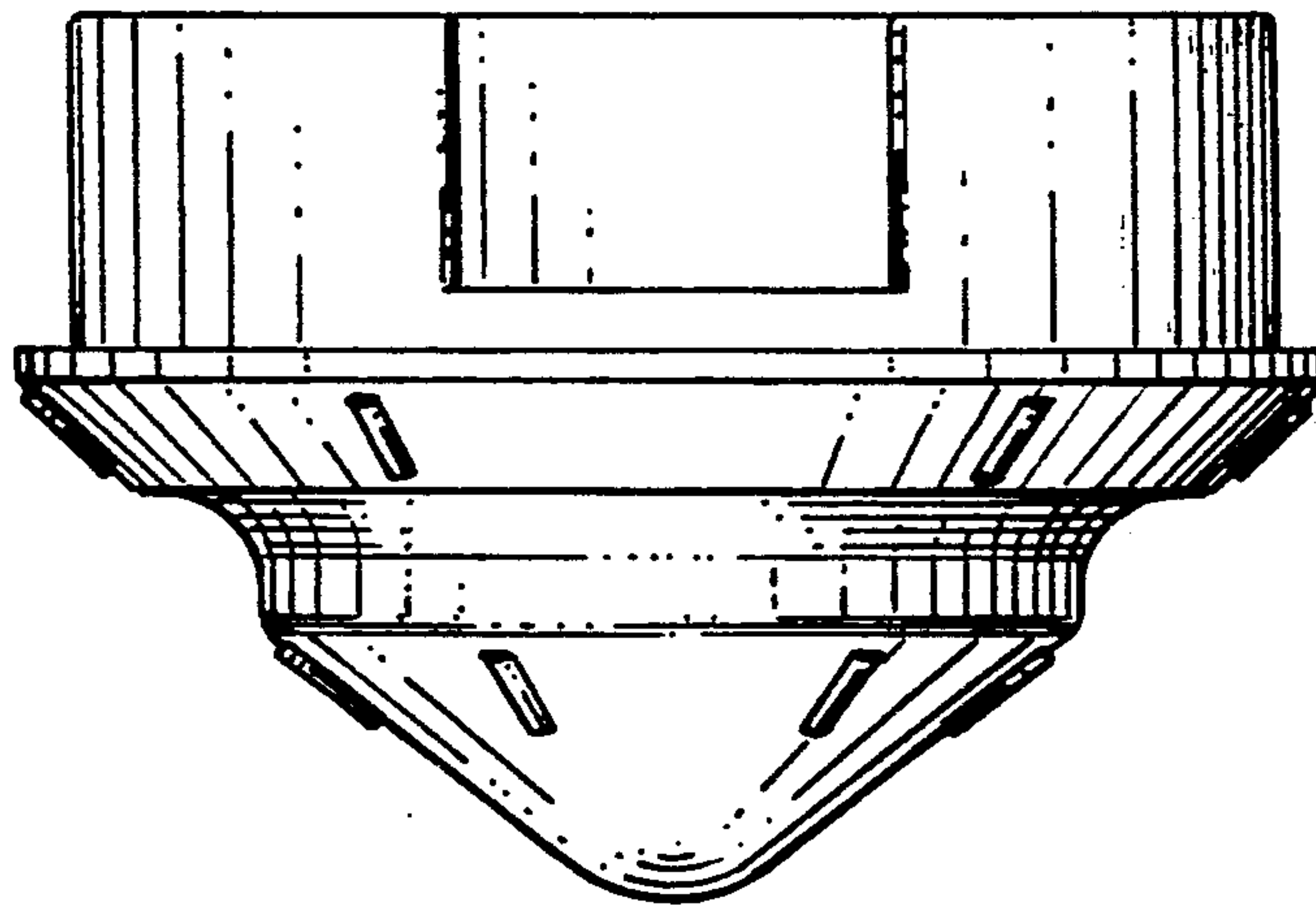
*Primary Examiner*—Charles A. Rademaker  
*Attorney, Agent, or Firm*—Wall and Roehrig

[57] **CLAIM**

The ornamental design for a rocking toy, as shown and described.

**DESCRIPTION**

FIG. 1 is a front elevational view of the rocking toy embodying my new design;  
FIG. 2 is a right side elevational view and the left side elevational view is a mirror image thereof;  
FIG. 3 is a rear elevational view;  
FIG. 4 is a top plan view; and  
FIG. 5 is a bottom plan view thereof.



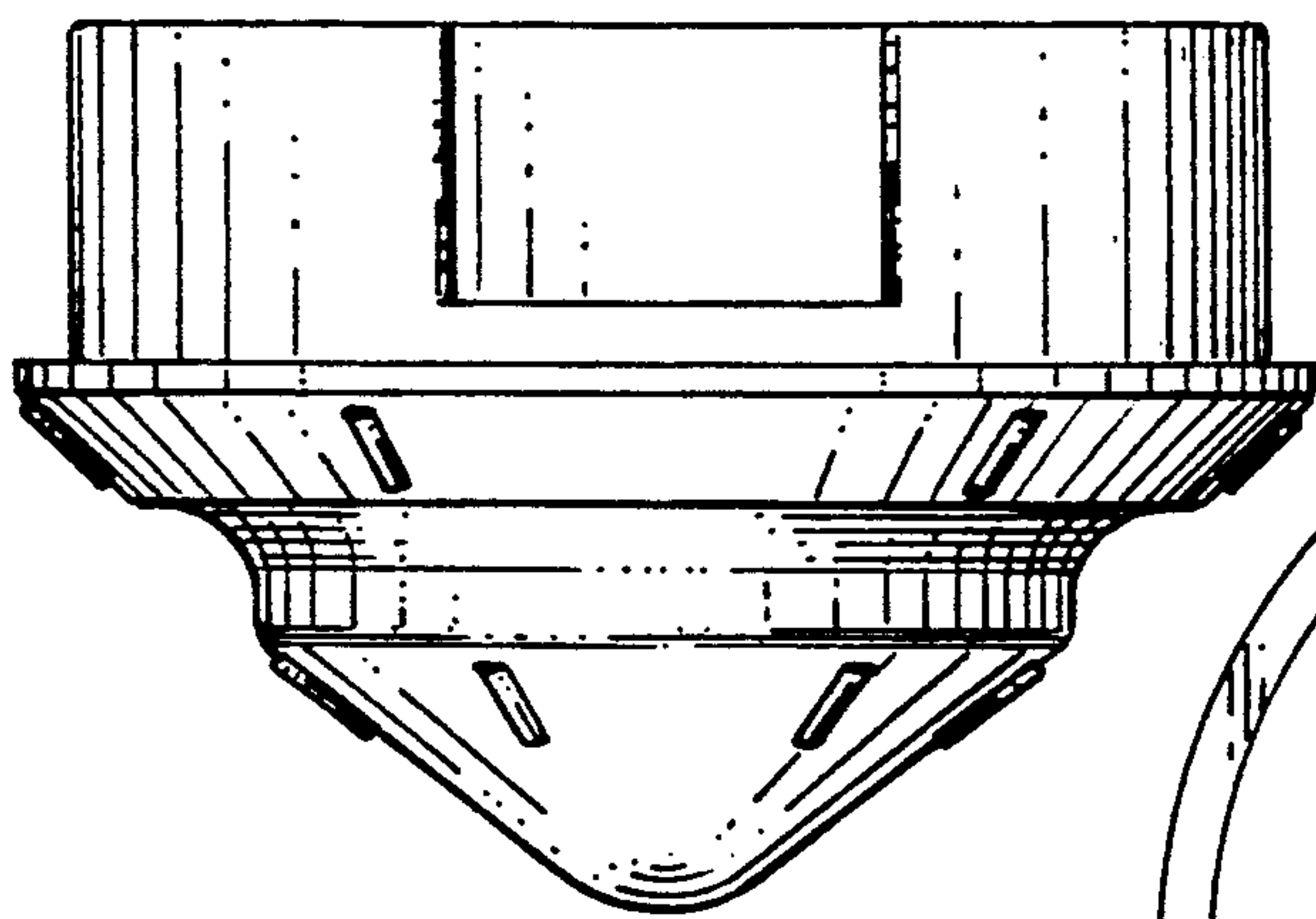


FIG. 1

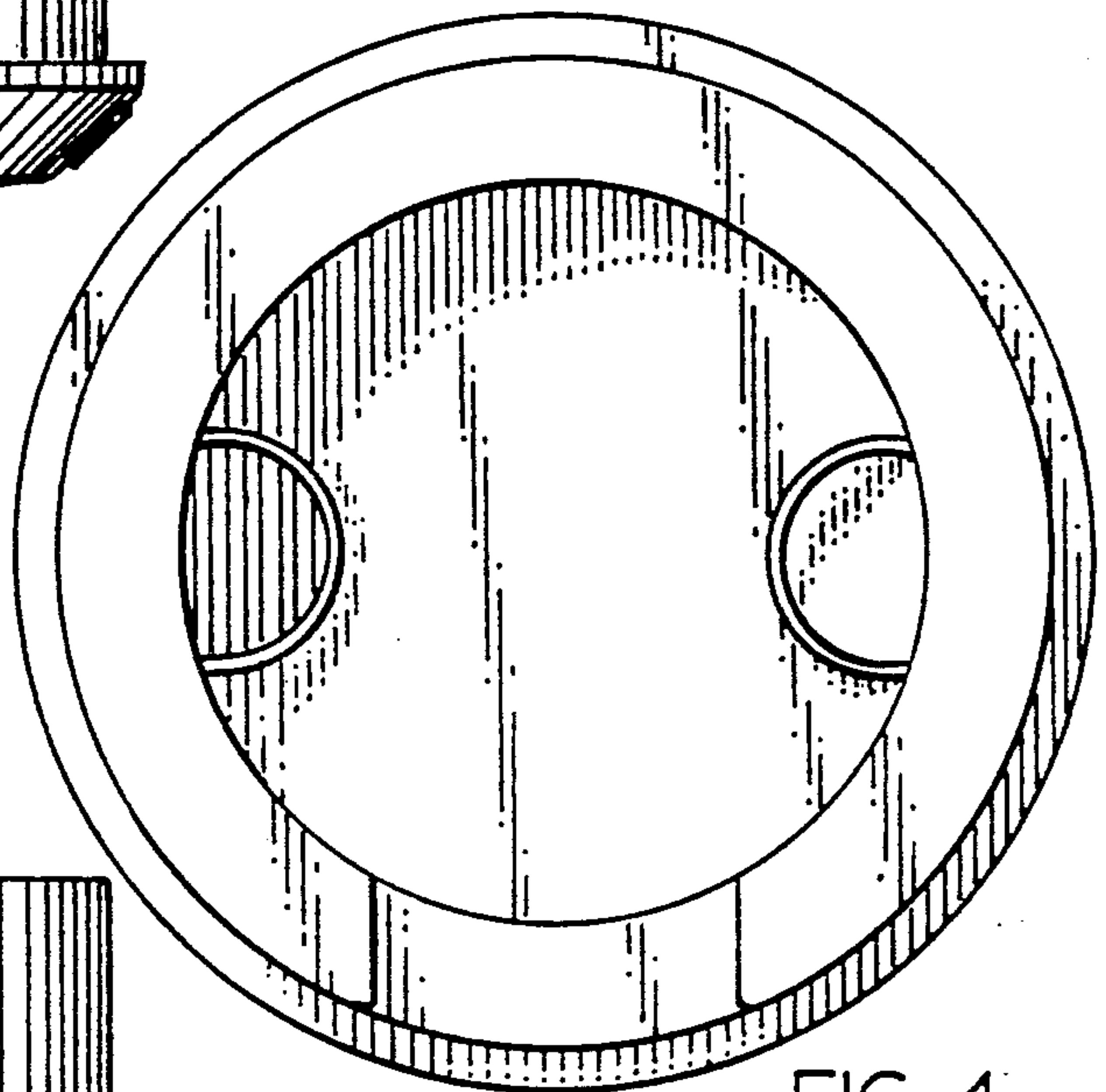


FIG. 4

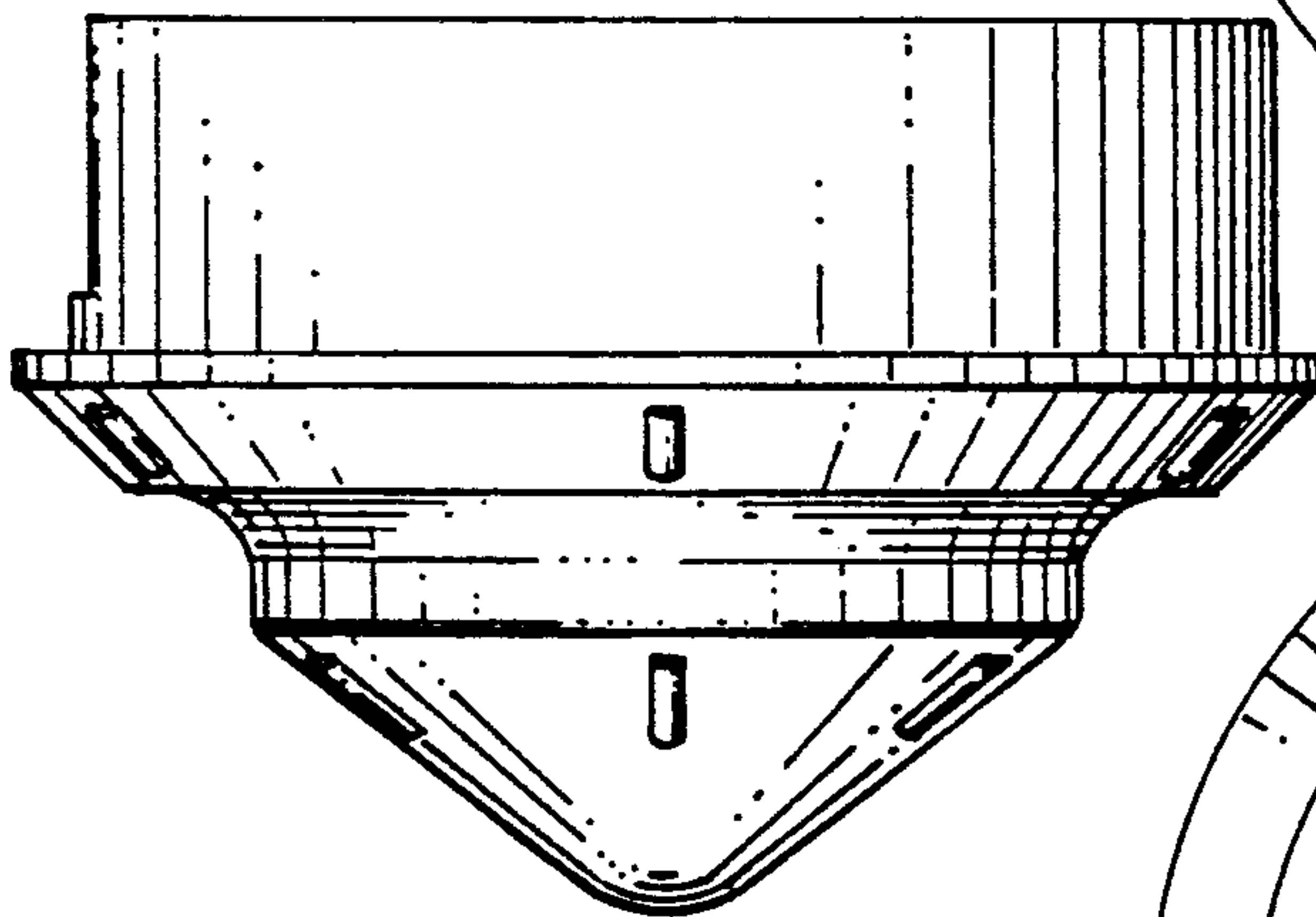


FIG. 2

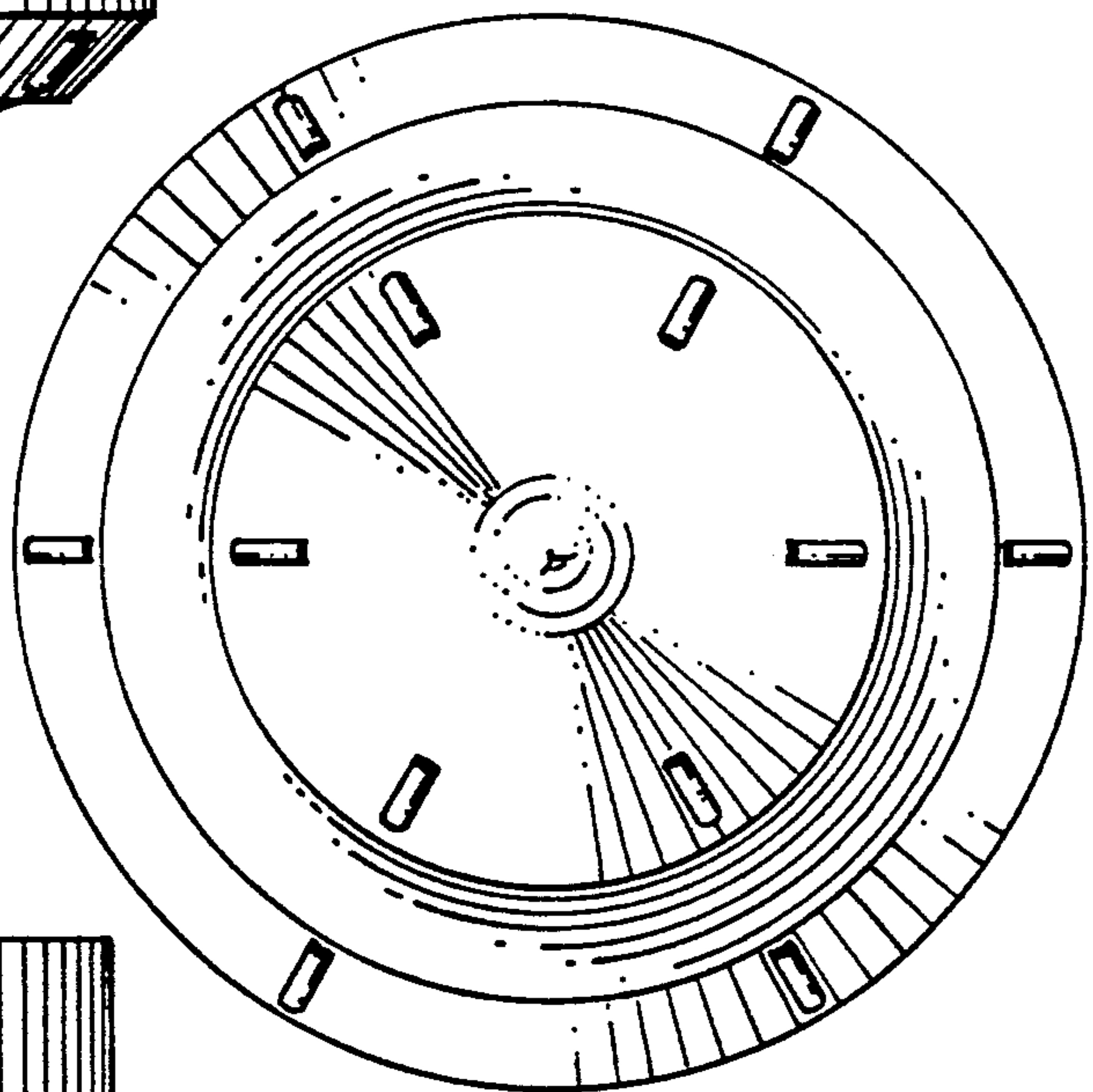


FIG. 5

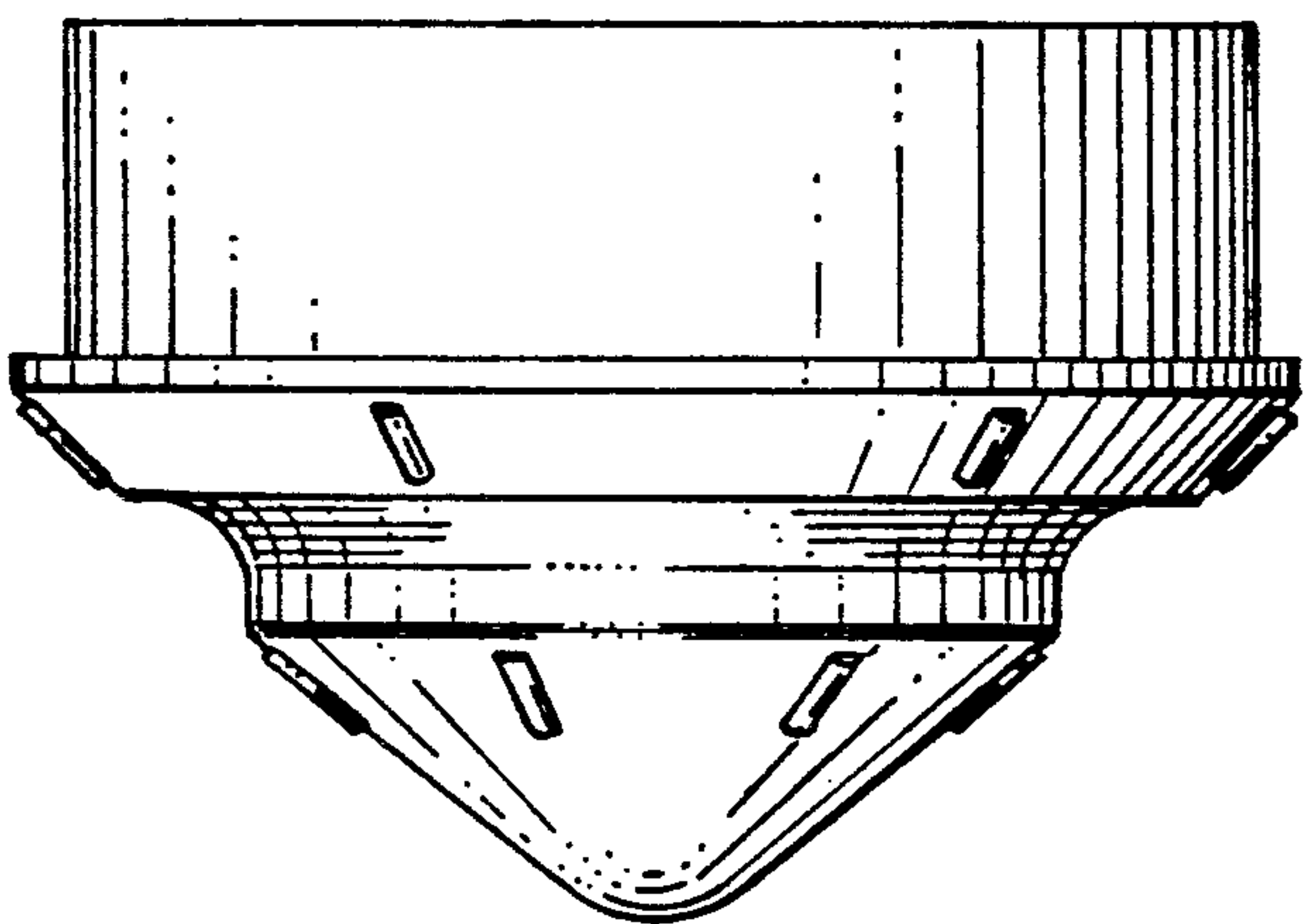


FIG. 3