

[54] **LATERAL FILE**

3,980,360 9/1976 Wright et al. .... 312/184

[75] **Inventors: John F. Whaley; Andrew J. Emmerson, both of Sutton, United Kingdom**

**FOREIGN PATENT DOCUMENTS**

|         |        |           |        |
|---------|--------|-----------|--------|
| 274996  | 5/1967 | Australia | 40/359 |
| 1411135 | 8/1965 | France    | 40/359 |
| 1470261 | 1/1967 | France    | 40/359 |
| 1488372 | 7/1967 | France    | 40/359 |

[73] **Assignee: Carter-Parratt Limited, Sutton, England**

[\*\*] **Term: 14 Years**

*Primary Examiner*—Bruce W. Dunkins  
*Assistant Examiner*—Martha Thompson  
*Attorney, Agent, or Firm*—Lowe, Price, LeBlanc & Becker

[21] **Appl. No.: 262,335**

[22] **Filed: Oct. 14, 1988**

[30] **Foreign Application Priority Data**

Apr. 15, 1988 [GB] United Kingdom ..... 1049986

[52] **U.S. Cl.** ..... **D19/86; D19/26; D19/90; D19/91**

[58] **Field of Search** ..... **D19/32, 26, 27, 65, D19/75, 86, 90, 91, 99, 100; 312/50, 184; 40/359; 229/1.5 R**

[57] **CLAIM**

The ornamental design for a lateral file, as shown and described.

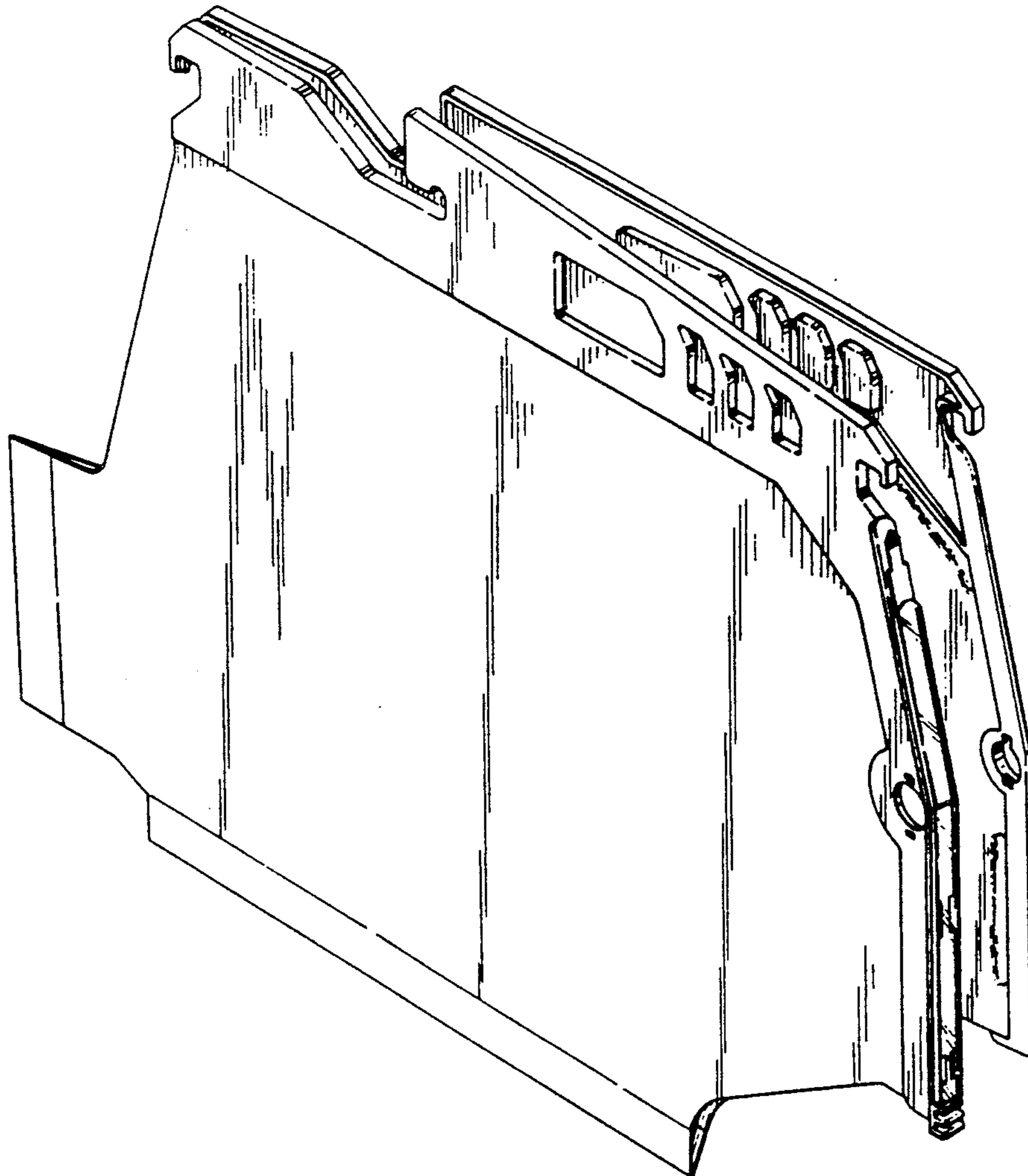
**DESCRIPTION**

FIG. 1 is a top front perspective view of a lateral file showing our new design;  
FIG. 2 is a side elevational view of the side opposite that shown in FIG. 1; and  
FIG. 3 is a top, front perspective view in an exploded condition showing the indexing element separated from the file's edge.

[56] **References Cited**

**U.S. PATENT DOCUMENTS**

D. 182,366 3/1958 Jonas ..... D19/86



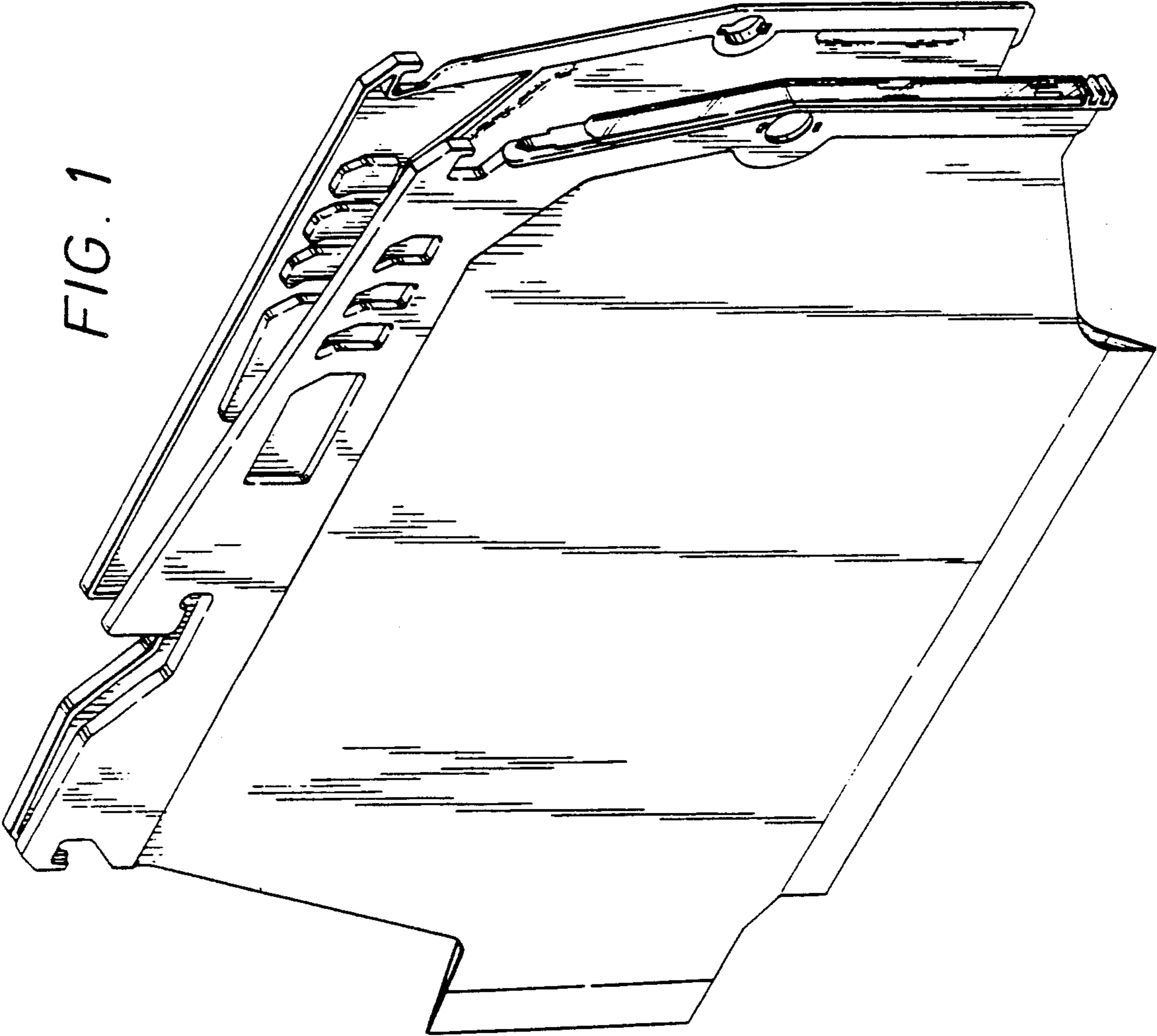


FIG. 1

