

[54] SUSPENSION FILE

[75] Inventors: John F. Whaley; Andrew J. Emmerson, both of Sutton, United Kingdom

[73] Assignee: Carter-Parratt Limited, Sutton, England

[\*\*] Term: 14 Years

[21] Appl. No.: 262,333

[22] Filed: Oct. 14, 1988

[30] Foreign Application Priority Data

Apr. 15, 1988 [GB] United Kingdom ..... 1049987

[52] U.S. Cl. .... D19/86; D19/26; D19/90

[58] Field of Search ..... D19/65, 75, 26, 27, D19/32, 86, 90, 91, 99, 100; 312/50; 40/359; 229/1.5 R

[56] References Cited

U.S. PATENT DOCUMENTS

- D. 268,348 3/1983 Beleckis ..... D19/91
- D. 269,187 5/1983 Petersen ..... D19/99 X

- 3,664,051 5/1972 Benichou ..... 40/359
- 4,530,176 7/1985 Rejwan ..... 40/359
- 4,576,328 3/1986 Snider et al. .... 312/184 X
- 4,842,435 6/1989 Thomas et al. .... 312/184 X

FOREIGN PATENT DOCUMENTS

- 2515343 3/1976 Fed. Rep. of Germany ..... 40/359
- 1487453 7/1967 France ..... 40/359
- 92008 9/1968 France ..... 40/359

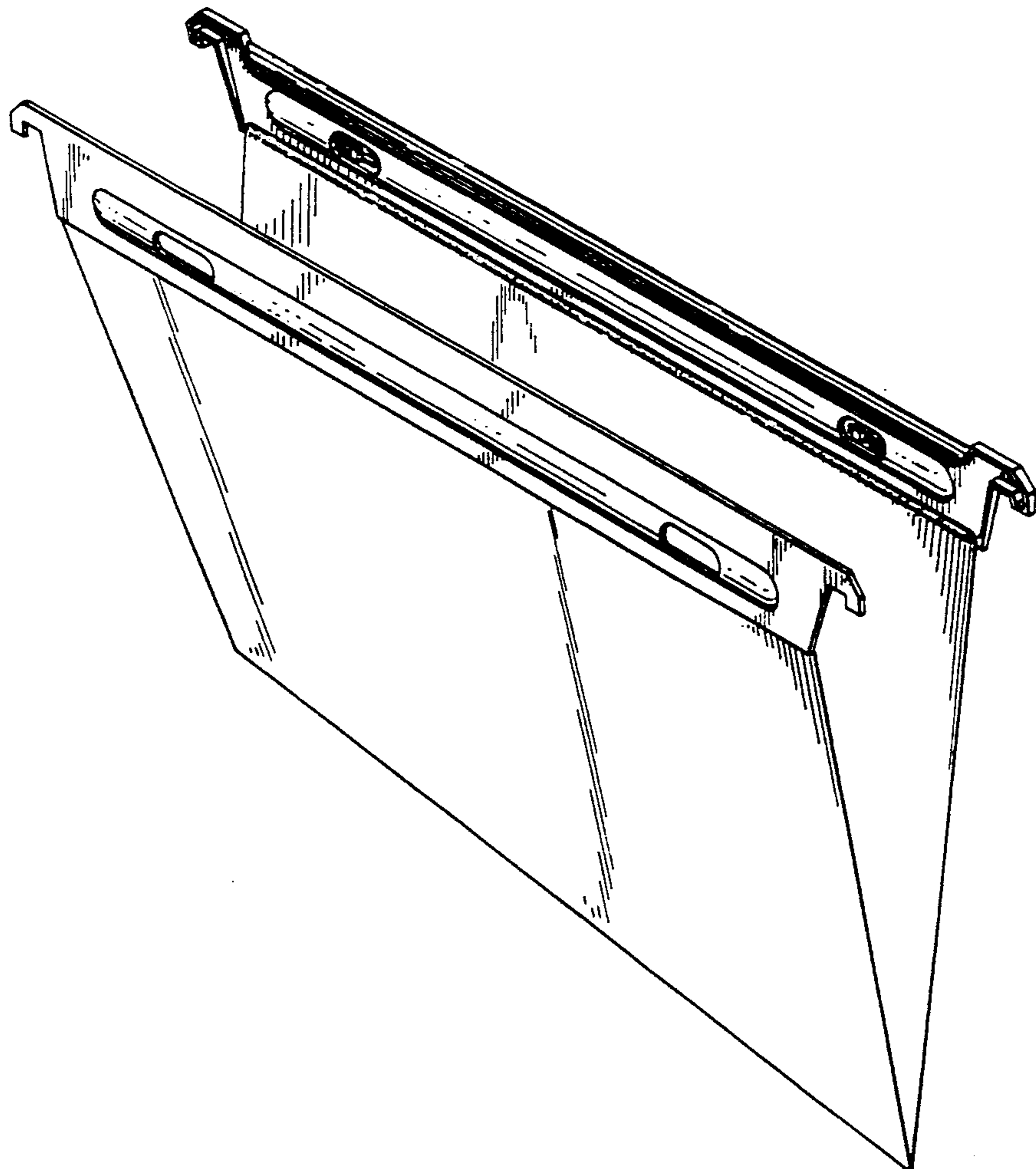
Primary Examiner—Bruce W. Dunkins  
Assistant Examiner—Martha Thompson  
Attorney, Agent, or Firm—Lowe, Price, LeBlanc & Becker

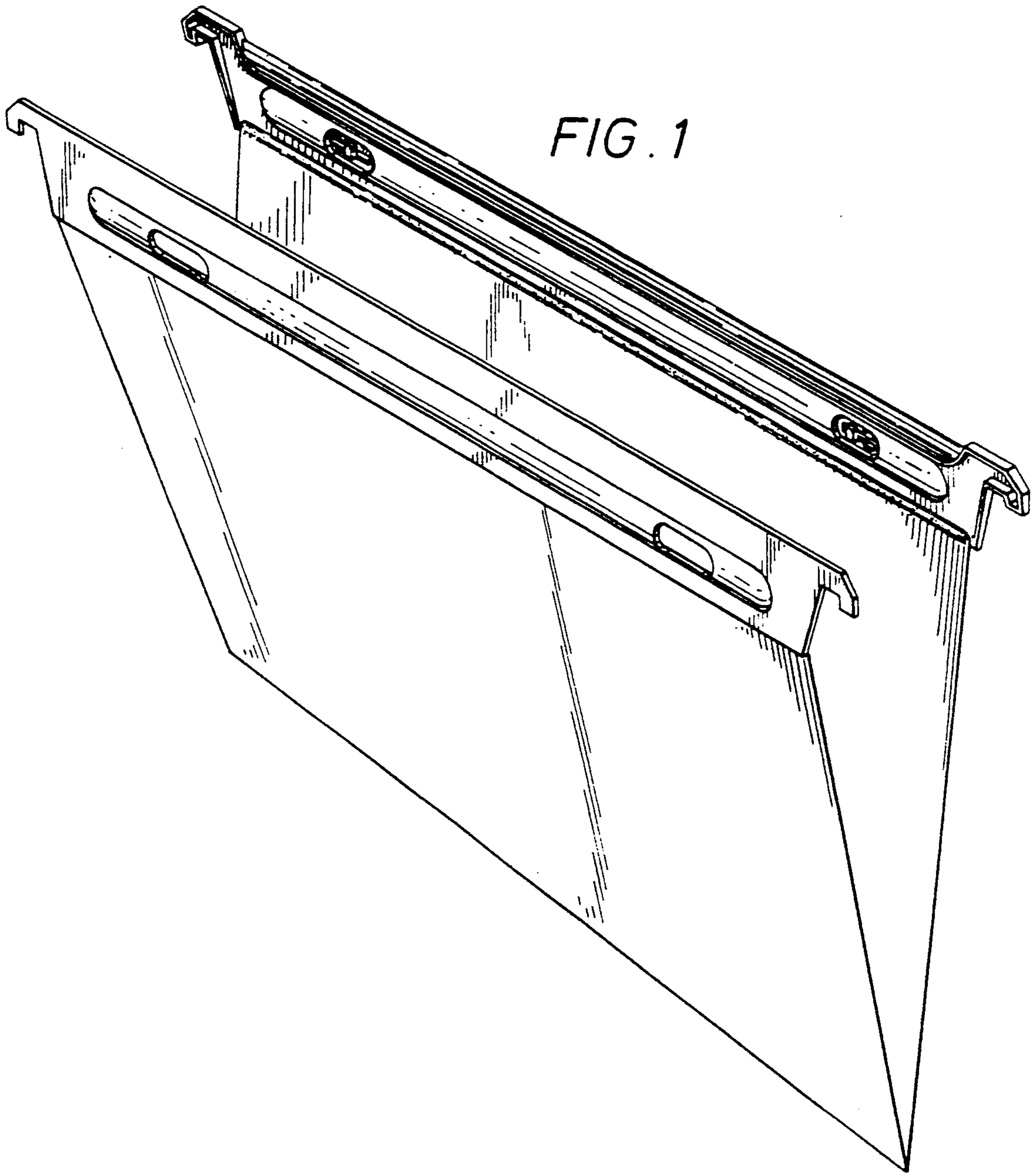
[57] CLAIM

The ornamental design for a suspension file, as shown and described.

DESCRIPTION

FIG. 1 is a top front perspective view of a suspension file showing our new design; FIG. 2 is a side elevational view of the side opposite that shown in FIG. 1; and FIG. 3 is a top, front perspective view in an exploded condition with the locking element shown separated from the rear bar member.





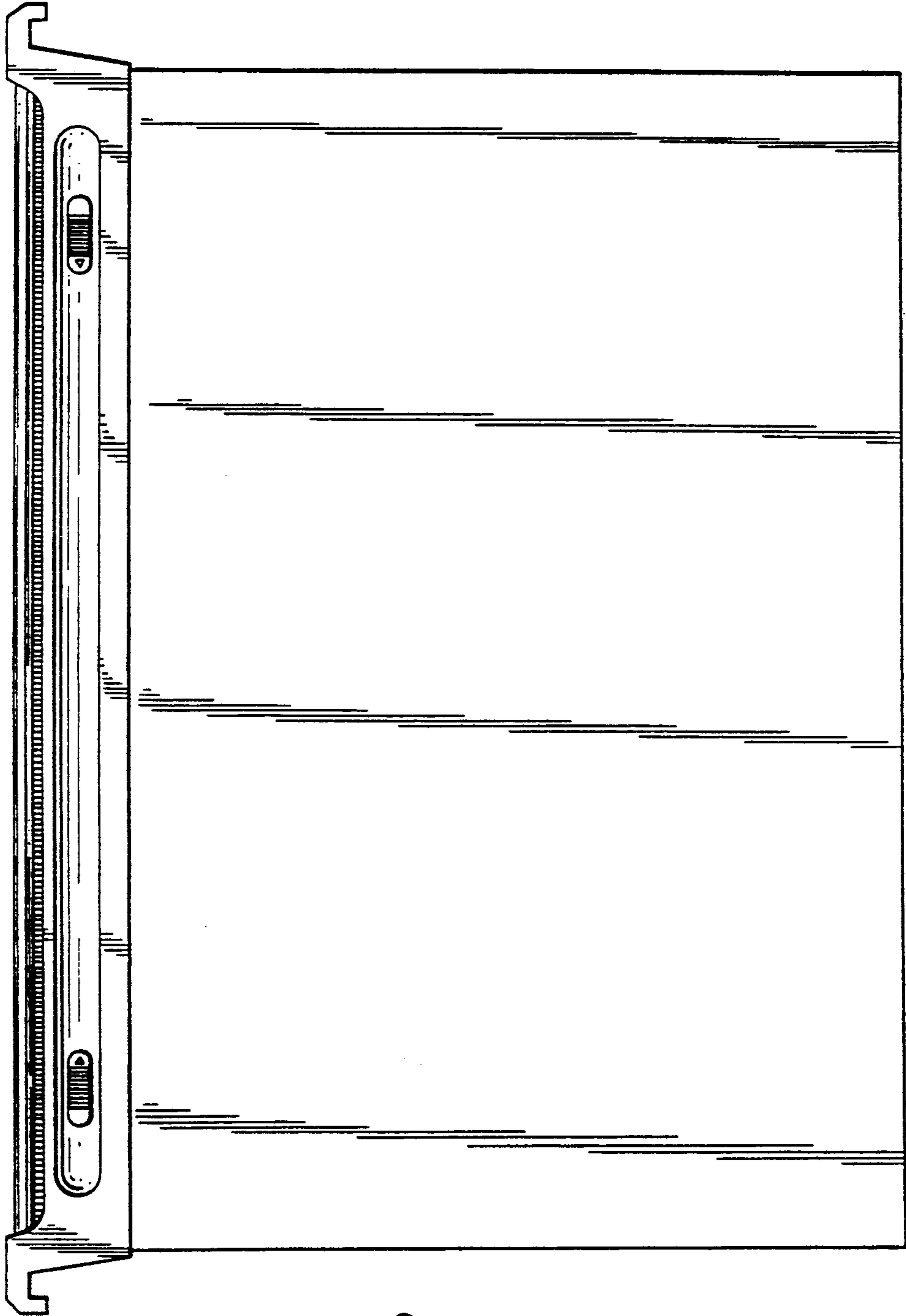


FIG. 2

