

[54] **THREE DIMENSIONAL GREETING CARD OR SIMILAR ARTICLE**
 [76] **Inventor: Jeffrey S. English, 17940 Geauga Lake Rd., Chagrin Falls, Ohio 44022**
 [**] **Term: 14 Years**
 [21] **Appl. No.: 552,411**
 [22] **Filed: Jul. 12, 1990**
 [52] **U.S. Cl. D19/6; D19/1**
 [58] **Field of Search D19/1-9, D19/20-25, 91; 40/124.1, 2; 283/2; 282/8 R; 281/2, 5, 18; D10/71, 72**

2,154,087 4/1939 Fawcett 40/124.1
 3,610,510 10/1971 Lowry .
 4,219,119 8/1980 Zefran .
 4,393,618 7/1983 Ray .
 4,525,393 6/1985 DiCostanzo .
 4,627,640 12/1986 Markovics .

Primary Examiner—Wallace R. Burke
Assistant Examiner—P. Schmidt
Attorney, Agent, or Firm—Watts Hoffmann Fisher & Heinke

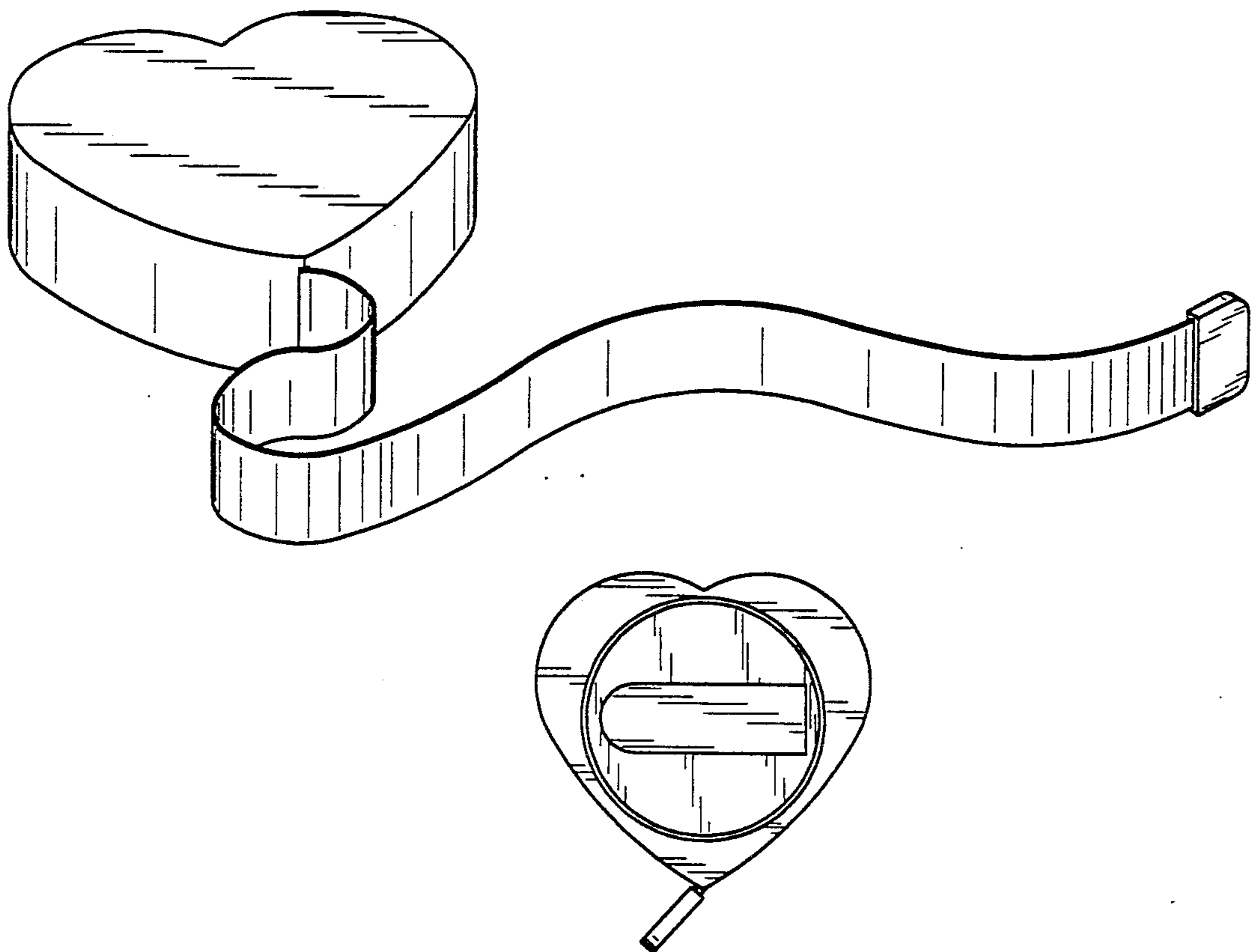
[57] **CLAIM**

The ornamental design for a three dimensional greeting card or similar article, as shown and described.

DESCRIPTION

FIG. 1 is a front perspective view of the three dimensional greeting card with a contained tape extended, showing my new design;
 FIG. 2 is a front perspective view thereof with the tape retracted;
 FIG. 3 is a front elevational view of a three-dimensional greeting card or similar article showing my new design reduced scale;
 FIG. 4 is a rear elevational view thereof;
 FIG. 5 is a top plan view thereof;
 FIG. 6 is a side elevational view thereof, the undisclosed side being substantially the same;
 FIG. 7 is a bottom plan view thereof; and
 FIG. 8 is a bottom plan view of a second embodiment of FIG. 1, it being understood that the undisclosed top and sides are the same as in FIGS. 1-6.

[56] **References Cited**
U.S. PATENT DOCUMENTS
 D. 26,538 1/1897 Heron .
 D. 60,990 5/1922 Janicki D19/8
 D. 65,340 7/1924 Johnson .
 D. 82,863 12/1930 Warren D19/4
 D. 100,103 6/1936 Helms .
 D. 130,500 11/1941 Huch .
 D. 142,996 11/1945 Forman .
 D. 157,043 1/1950 Gruber et al. .
 D. 183,456 9/1958 Henderson et al. .
 D. 252,155 6/1979 Okimoto D19/4
 D. 255,510 6/1980 Quenot .
 D. 273,212 3/1984 Sahler .
 D. 286,301 10/1986 Fain D19/6
 1,658,667 2/1928 Bottigieg .
 1,988,428 1/1935 Carlson .
 2,071,225 2/1937 Bottigieg .



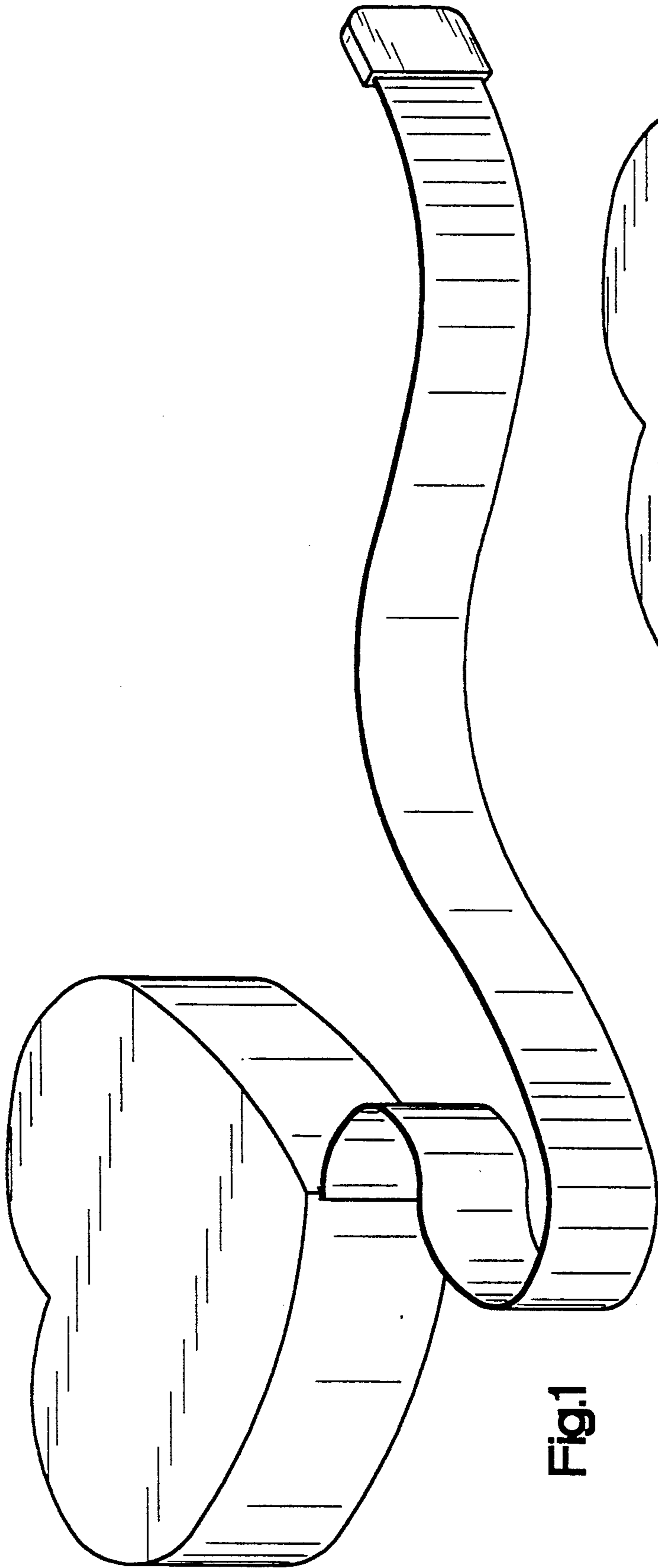


Fig.1

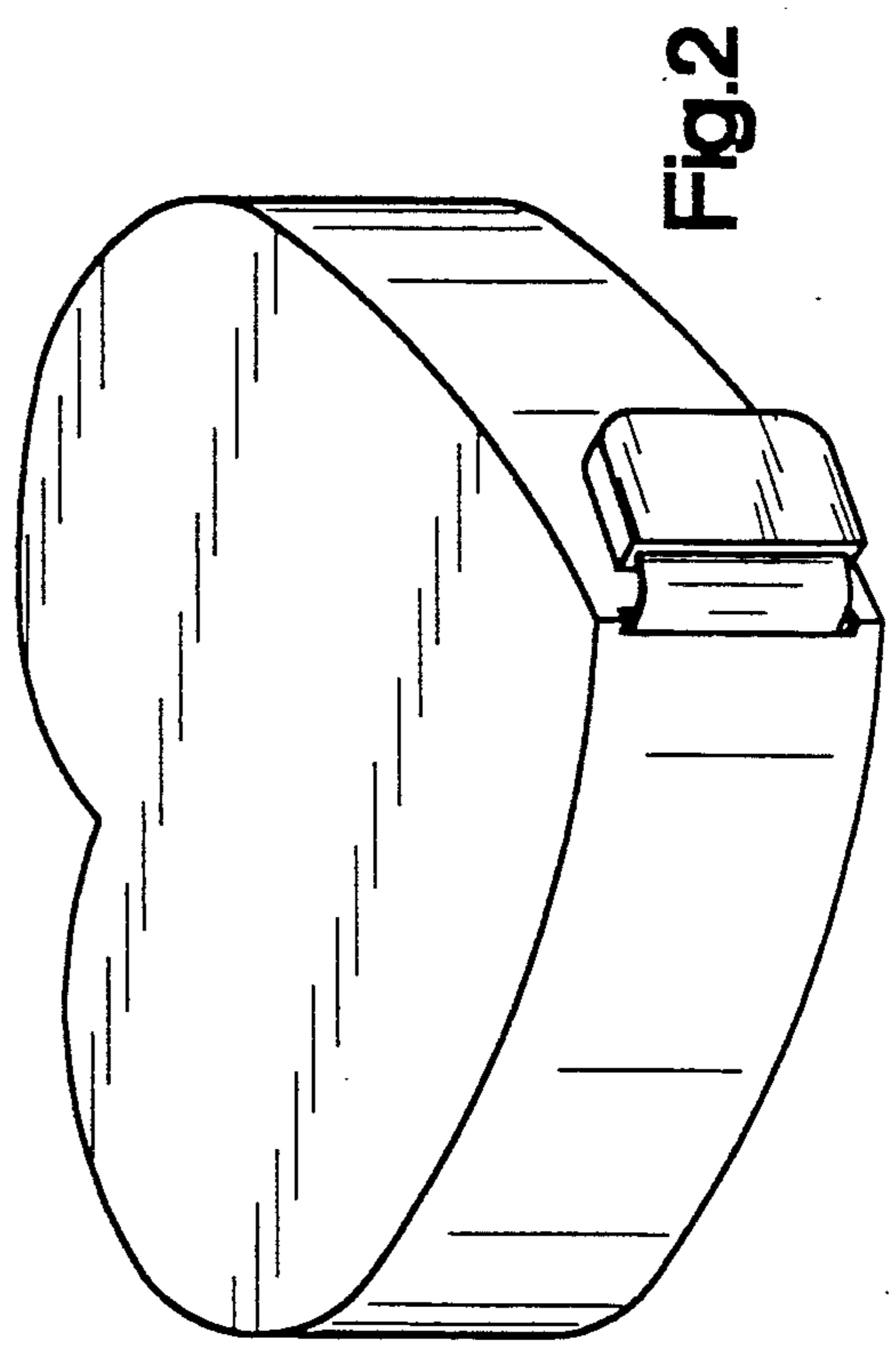


Fig.2

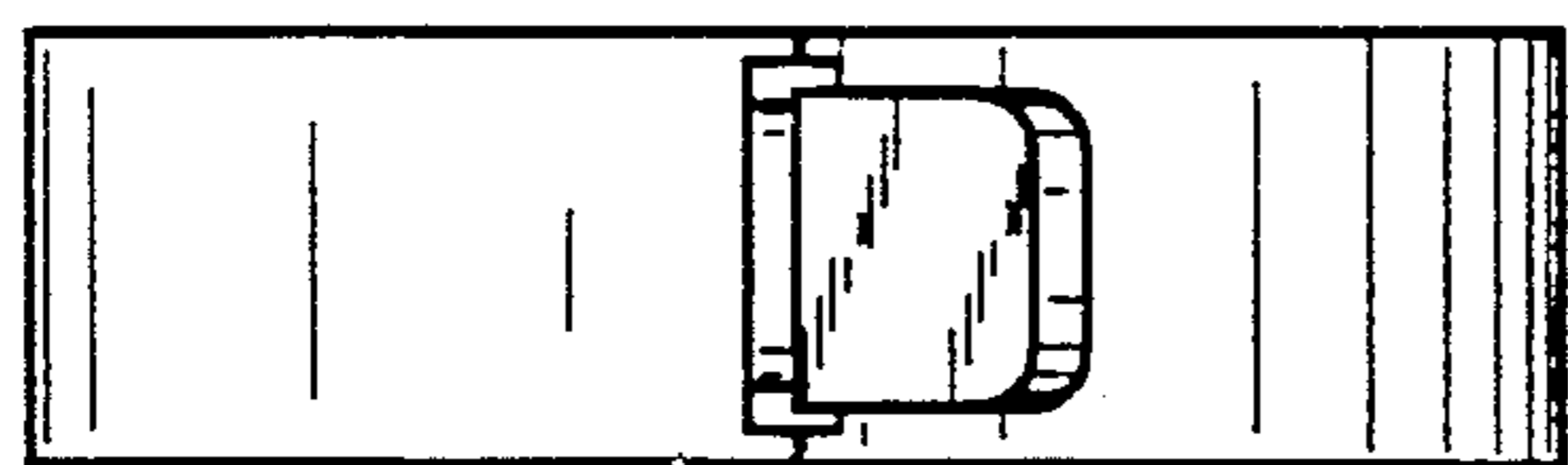


Fig.3

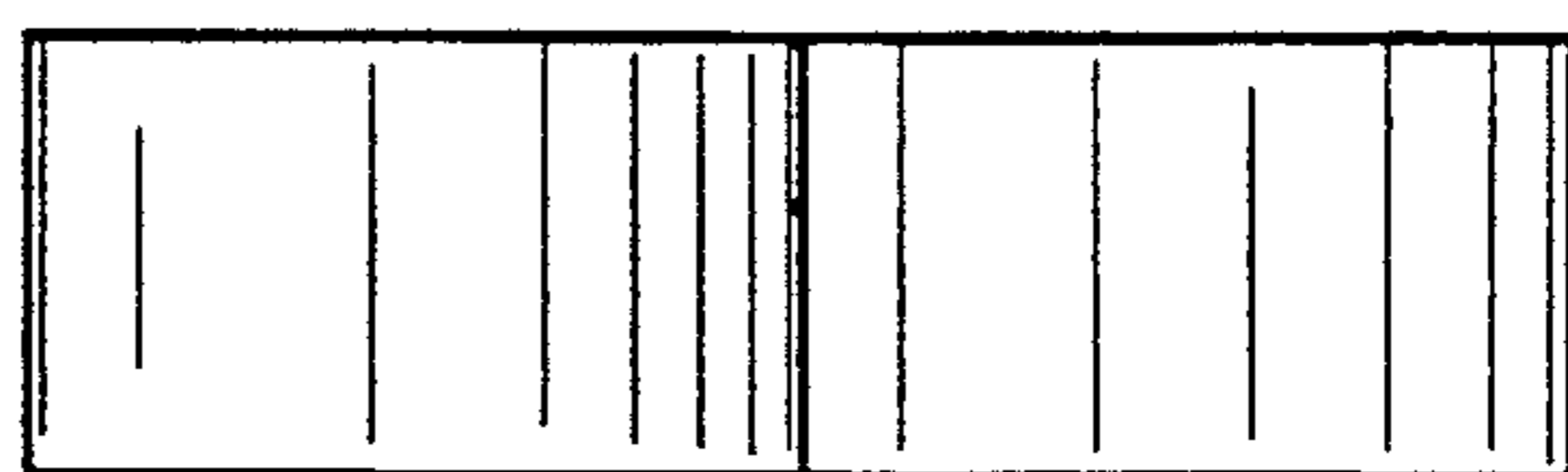


Fig.4

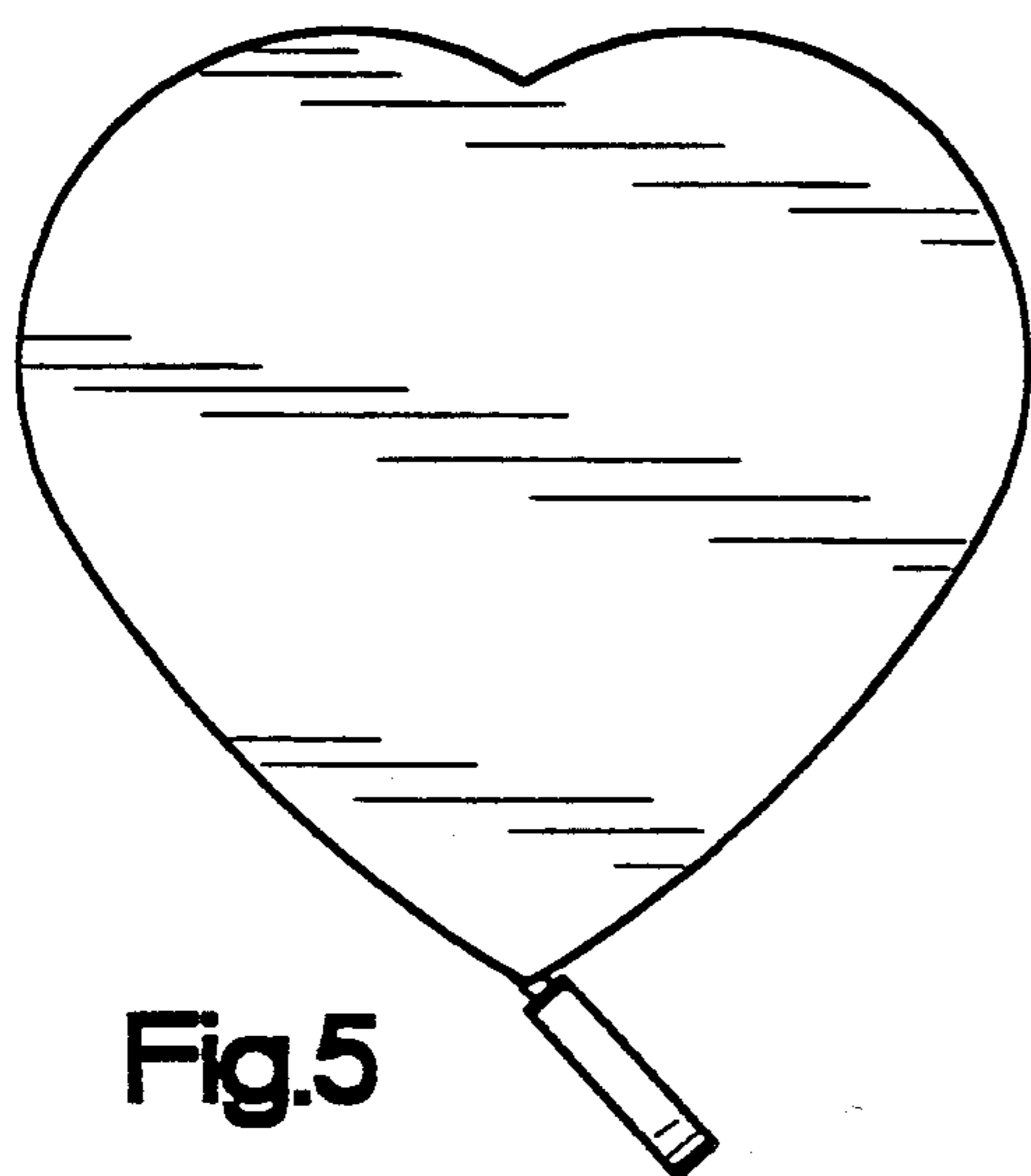


Fig.5

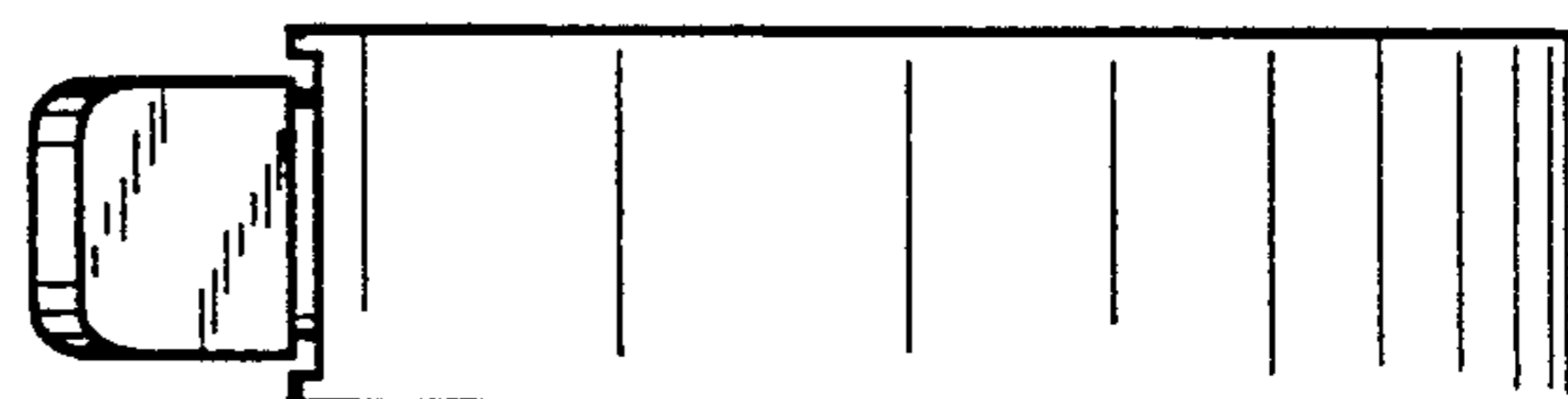


Fig.6

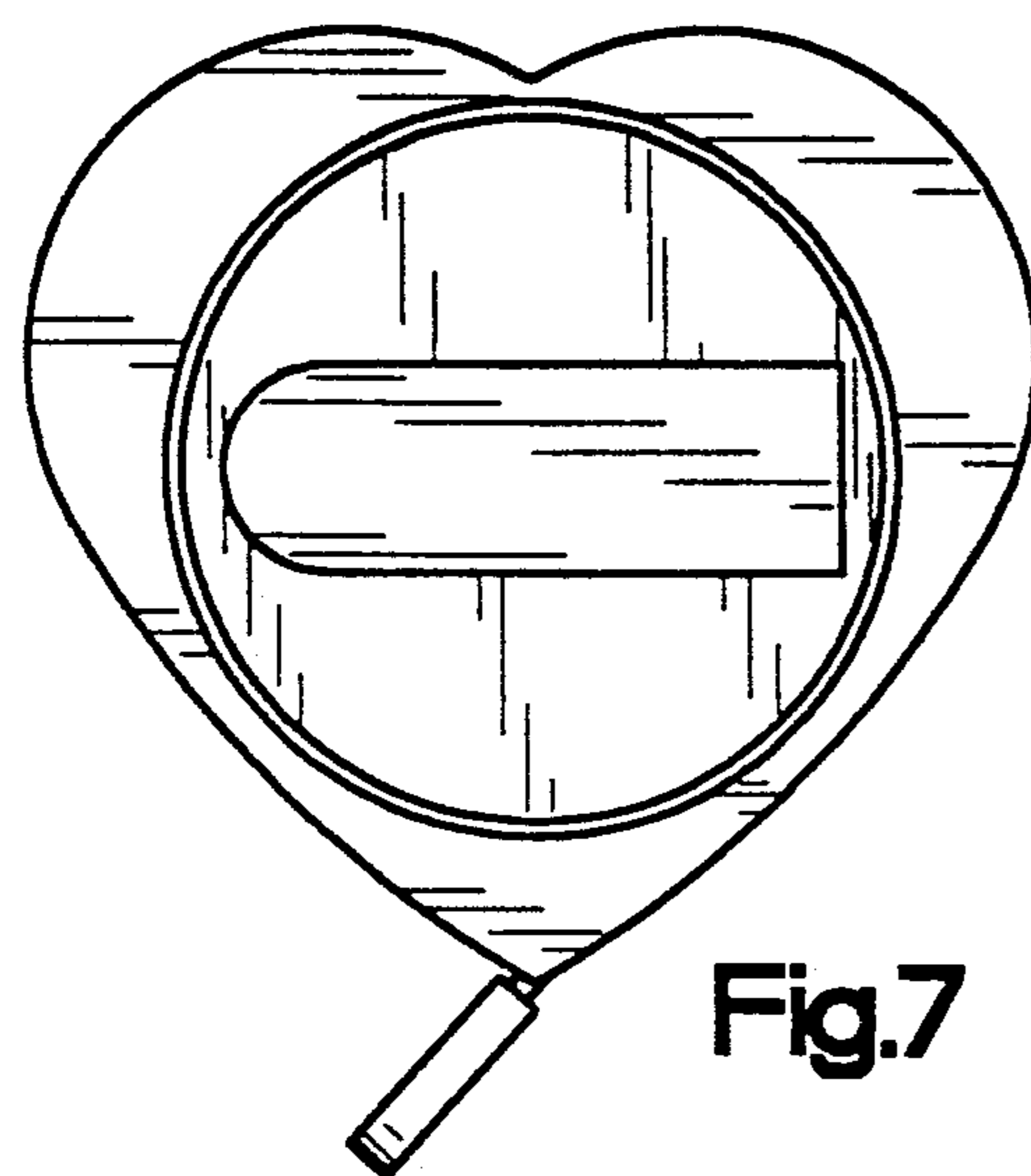


Fig.7

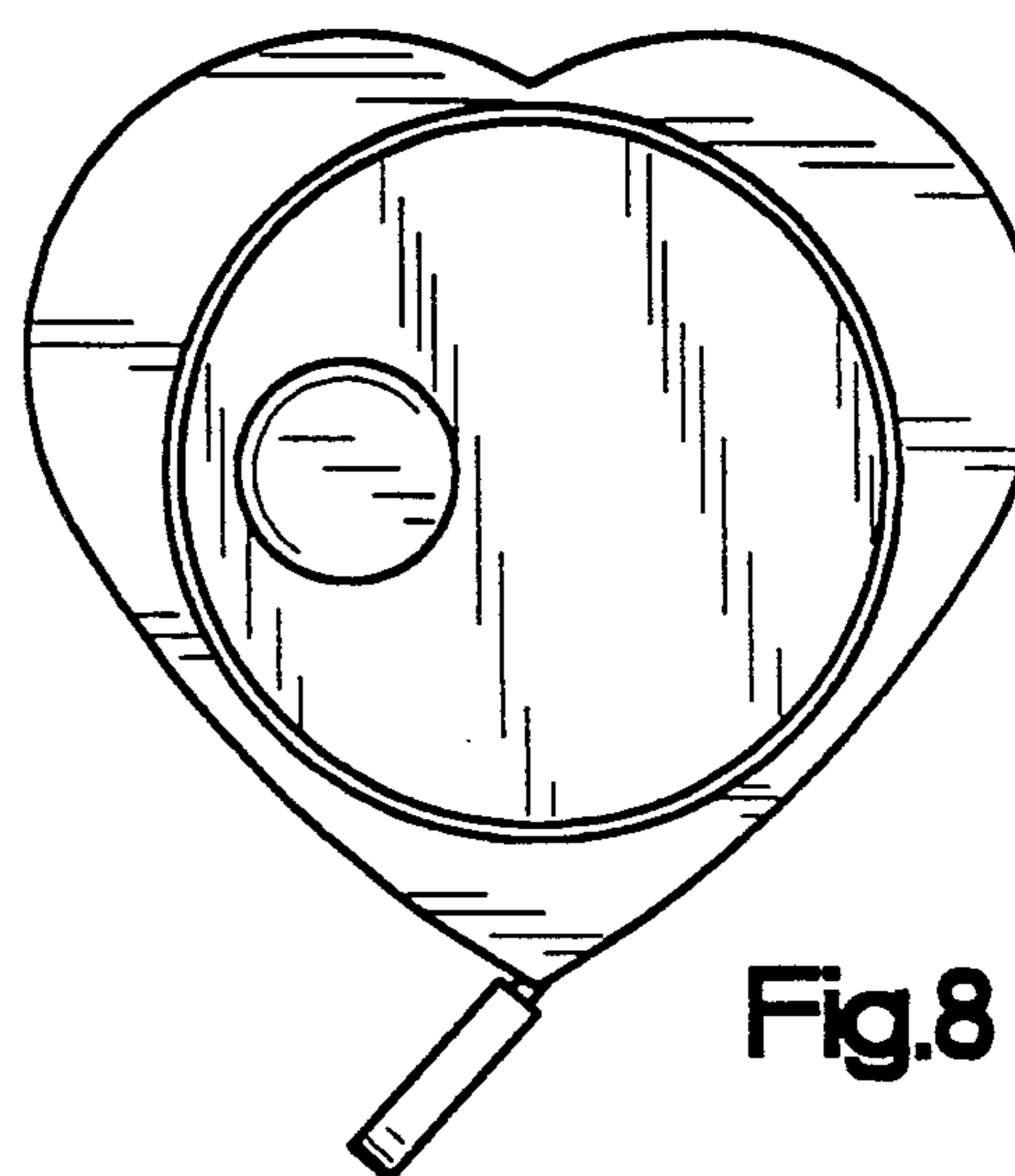


Fig.8