

[54] **PROCESS UNIT FOR COPYING MACHINE**

[75] **Inventor: Eiji Tsutsui, Sanda, Japan**

[73] **Assignee: Mita Industrial Co., Ltd., Osaka, Japan**

[\*] **Notice: The portion of the term of this patent subsequent to Aug. 14, 2004 has been disclaimed.**

[\*\*] **Term: 14 Years**

[21] **Appl. No.: 390,841**

[22] **Filed: Aug. 7, 1989**

[30] **Foreign Application Priority Data**

Mar. 7, 1989 [JP] Japan ..... 1-8253  
Mar. 7, 1989 [JP] Japan ..... 1-8254

[52] **U.S. Cl. .... D18/43**

[58] **Field of Search ..... D18/40, 43; 355/245, 355/260**

[56] **References Cited**

**U.S. PATENT DOCUMENTS**

D. 286,542 11/1986 Saito ..... D18/43  
D. 298,333 11/1988 Masaki et al. .... D18/40 X  
D. 303,543 9/1989 Seki ..... D18/36  
D. 308,696 6/1990 Tanizawa et al. .... D18/40  
D. 309,323 7/1990 Craft et al. .... D18/40

D. 309,911 8/1990 Koyama et al. .... D18/40  
4,523,615 6/1985 Feenstra et al. .... 355/260 X  
4,949,399 8/1990 Williams et al. .... 355/260

*Primary Examiner*—Nelson C. Holtje  
*Assistant Examiner*—Caron D. Veynar  
*Attorney, Agent, or Firm*—Jordan and Hamburg

[57] **CLAIM**

The ornamental design for a process unit for copying machine, as shown and described.

**DESCRIPTION**

FIG. 1 is a front elevational view of a process unit for a copying machine showing my new design;  
FIG. 2 is a top plan view;  
FIG. 3 is a rear elevational view;  
FIG. 4 is a bottom plan view;  
FIG. 5 is a right side elevational view;  
FIG. 6 is a left side elevational view;  
FIG. 7 is a right, front and top perspective view;  
FIG. 8 is a front elevational view of a second embodiment of FIGS. 1-7;  
FIG. 9 is a top plan view;  
FIG. 10 is a rear elevational view;  
FIG. 11 is a bottom plan view;  
FIG. 12 is a right side elevational view;  
FIG. 13 is a left side elevational view; and  
FIG. 14 is a right, front and top perspective view thereof.

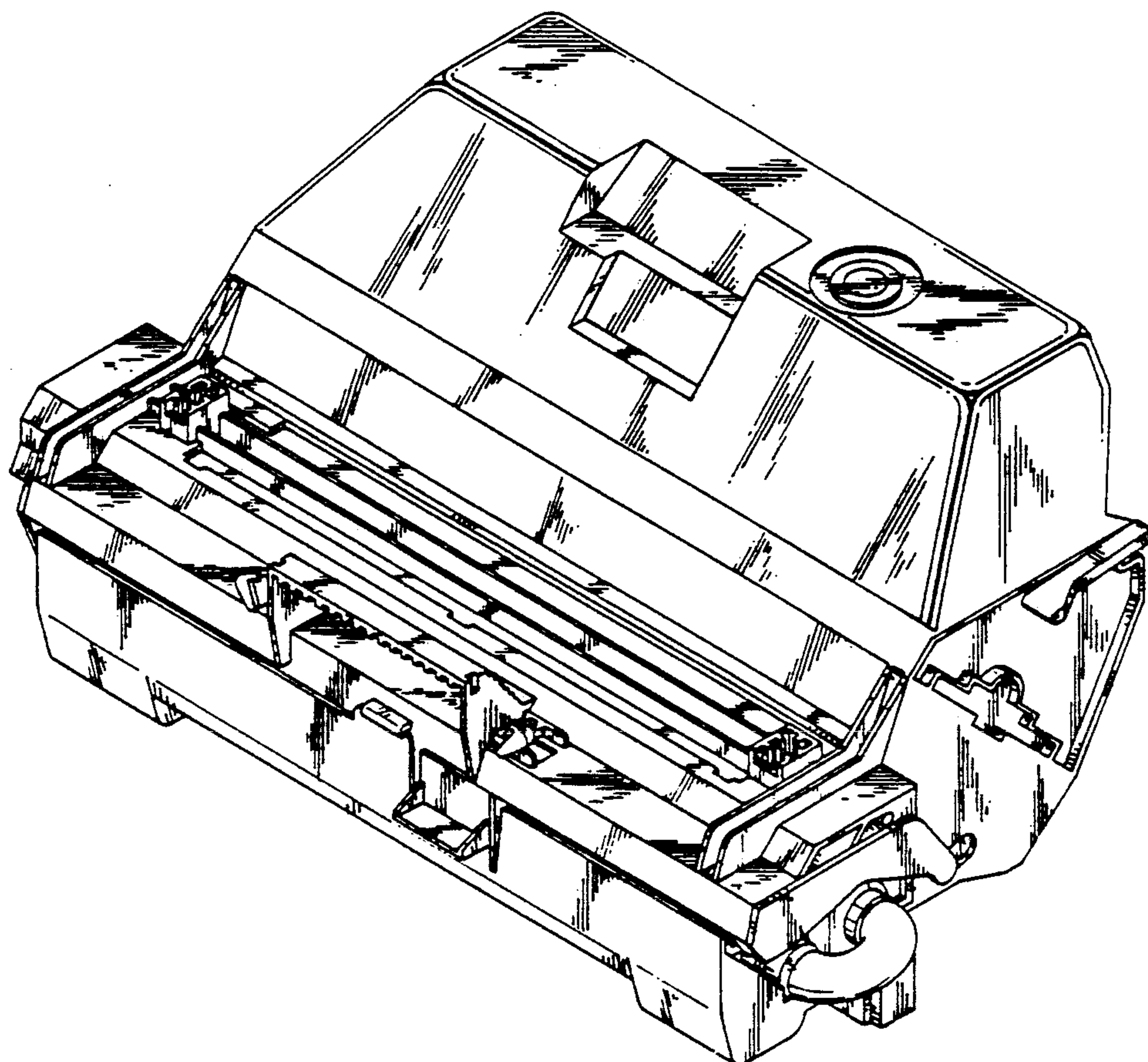


FIG. 1

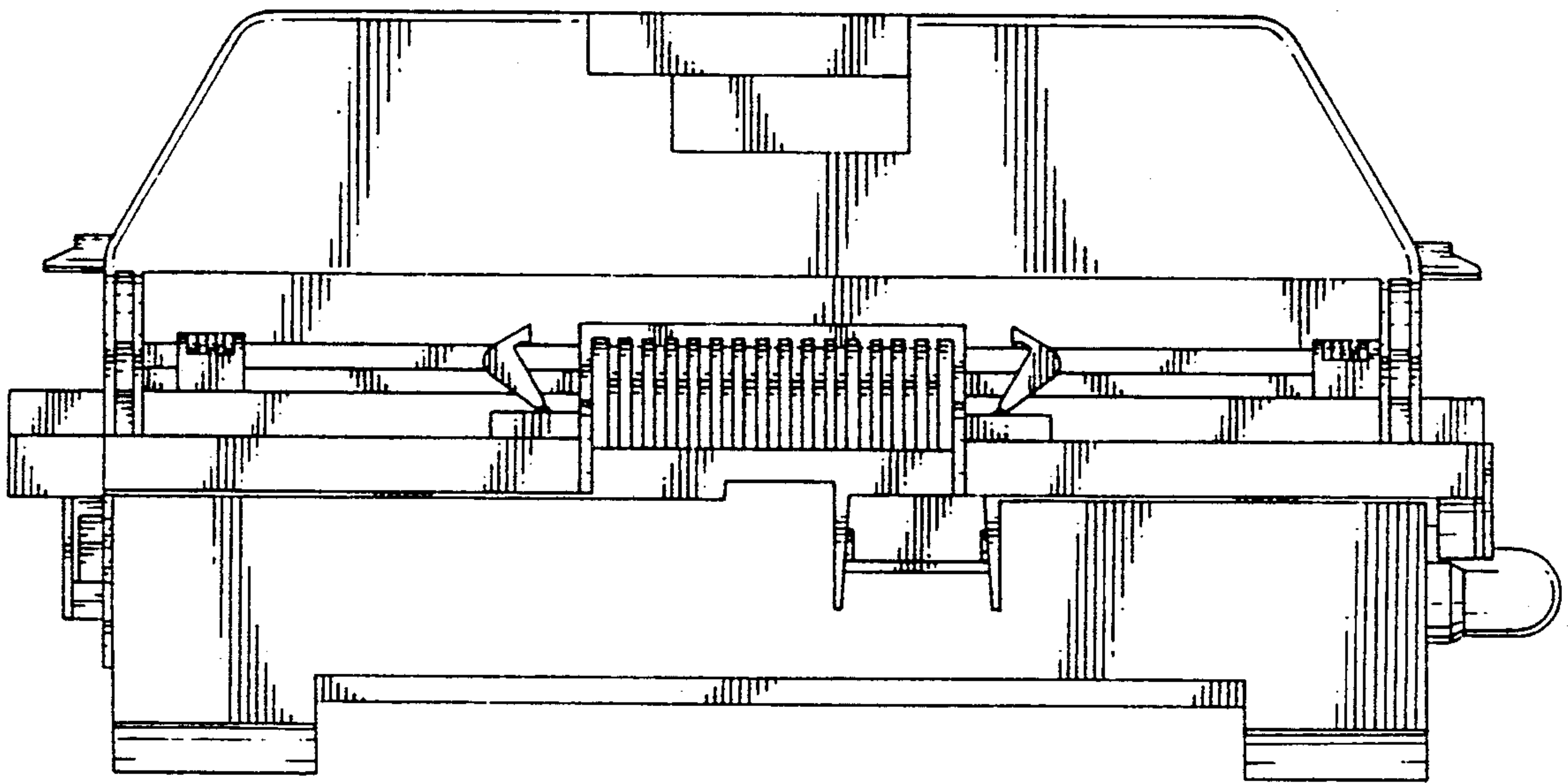


FIG. 2

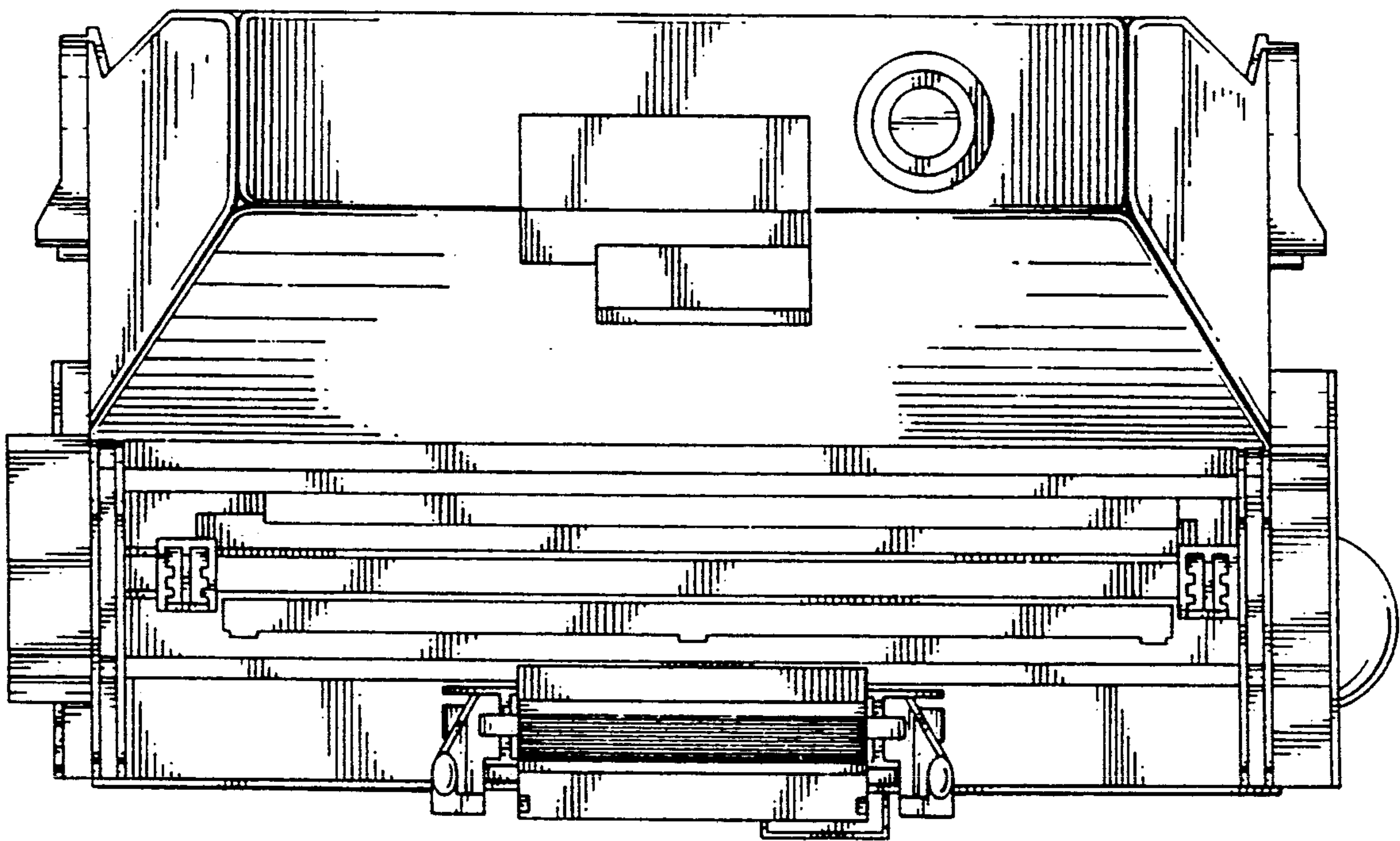




FIG. 3

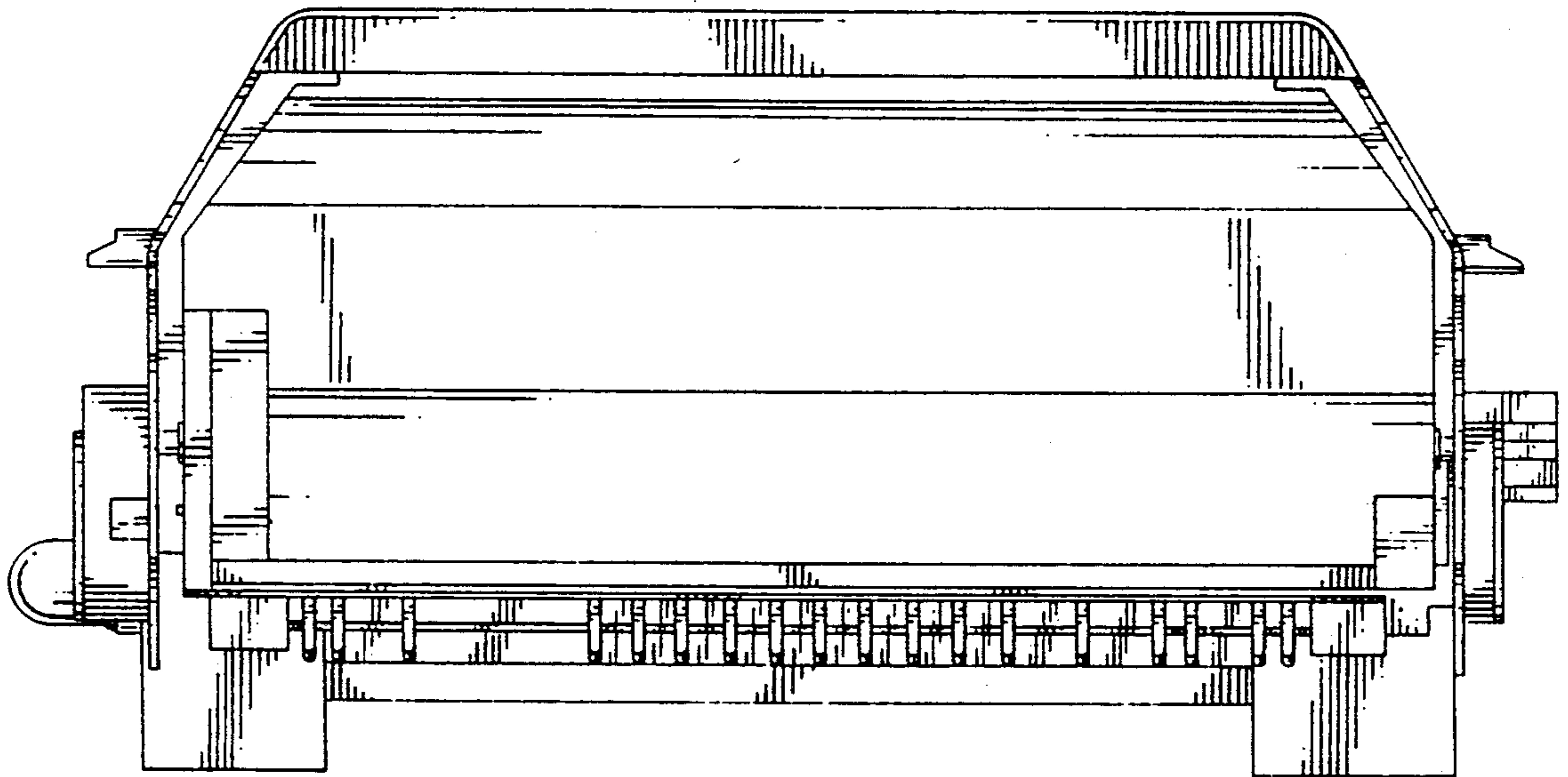


FIG. 4

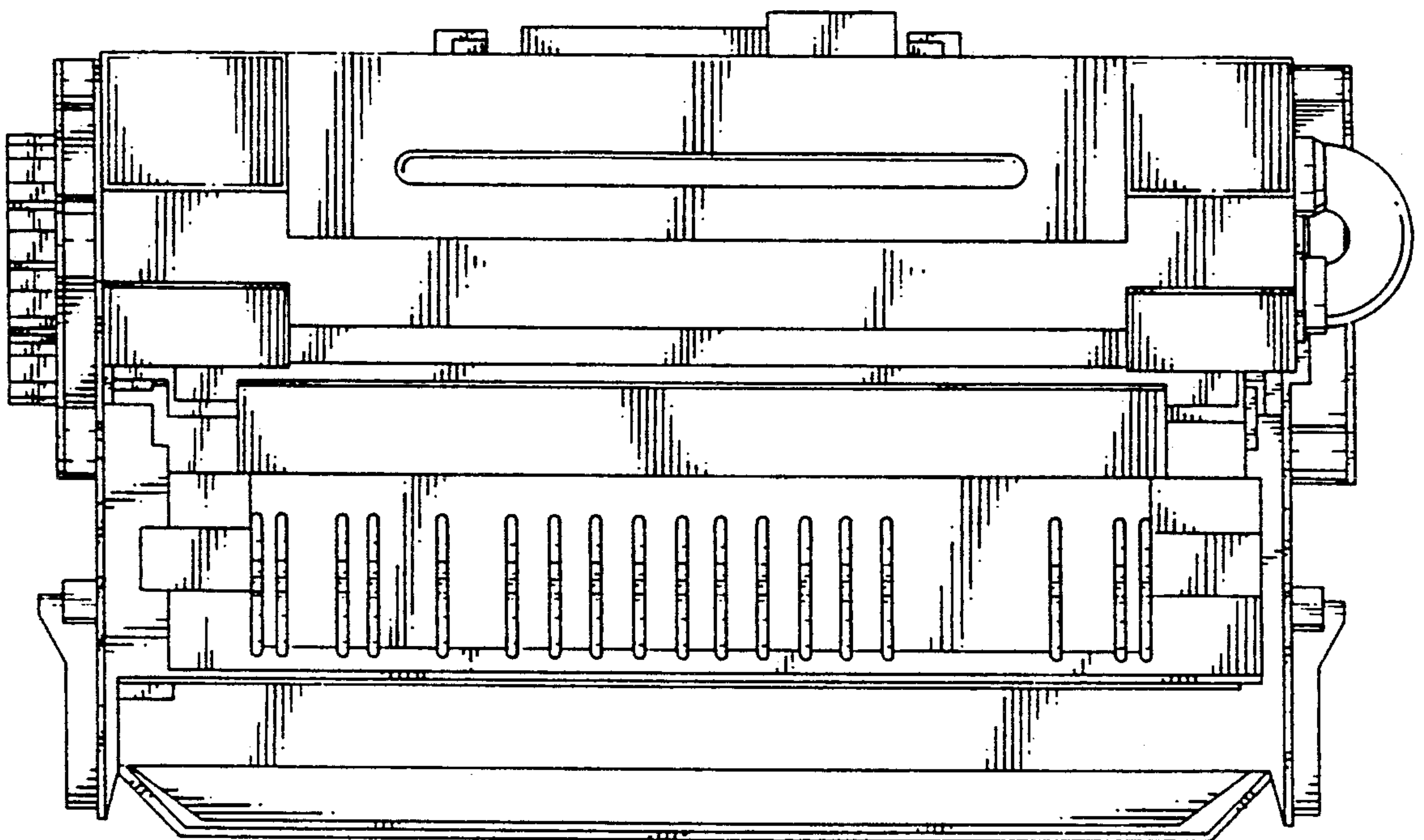


FIG. 5

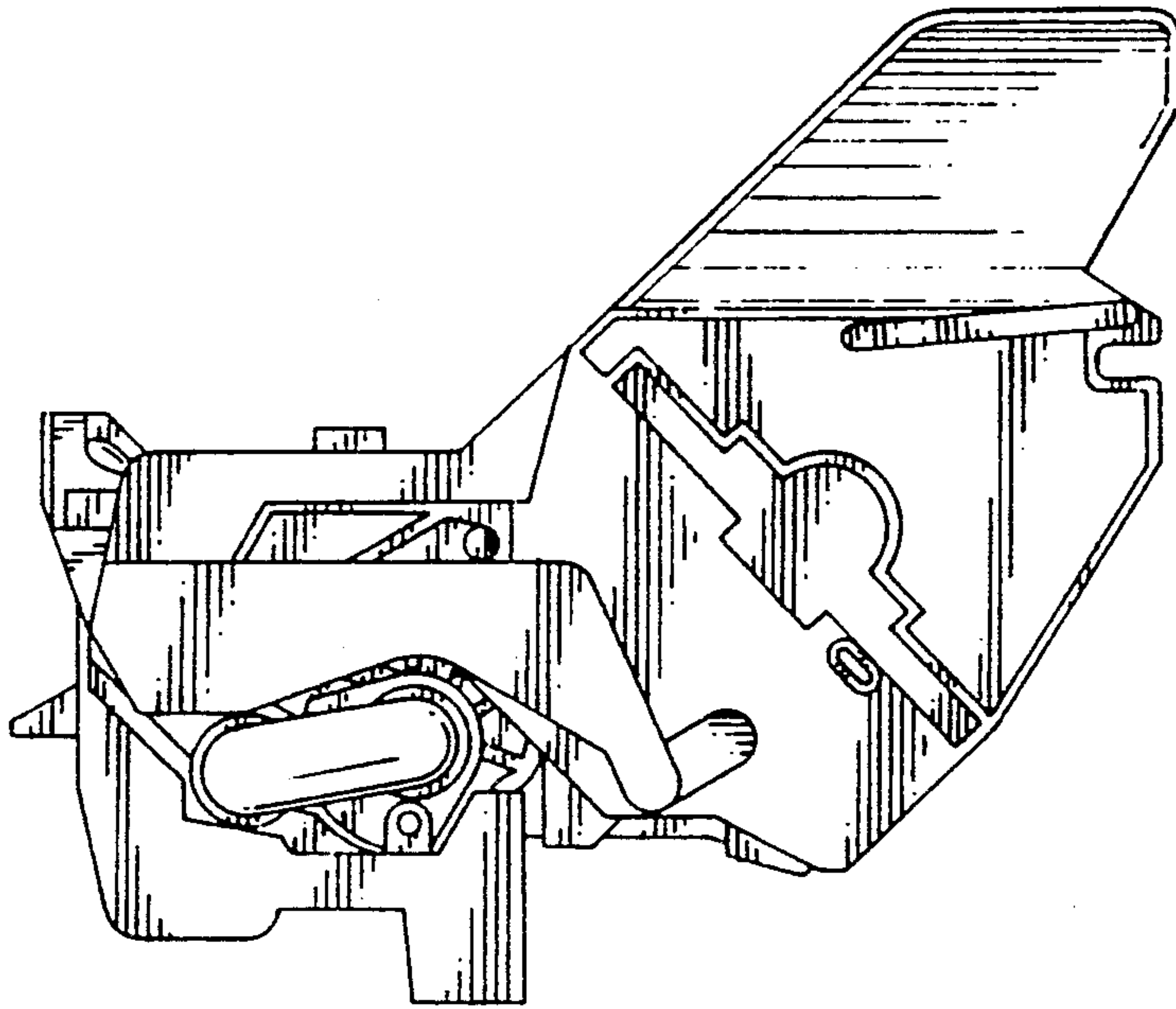


FIG. 6

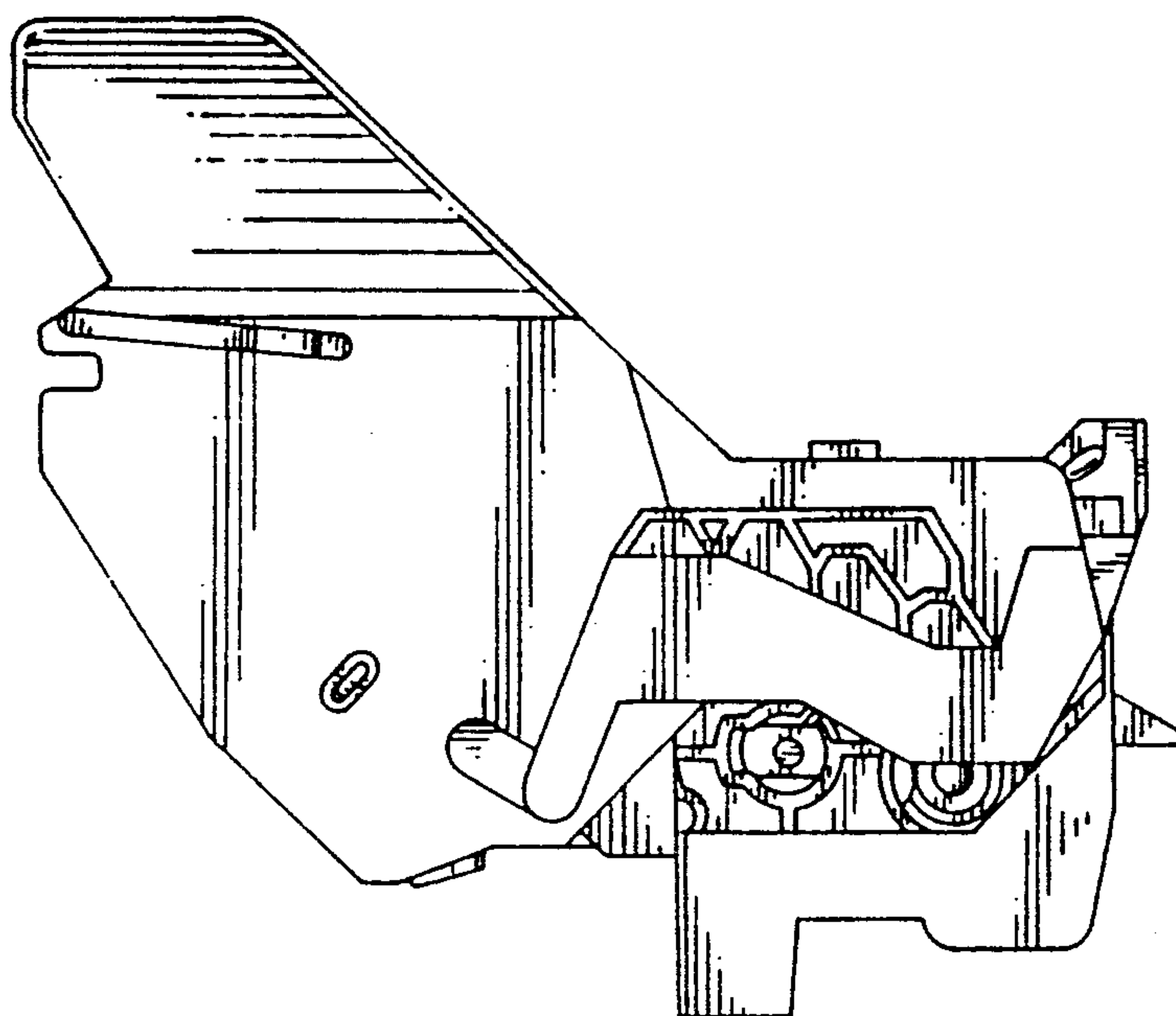


FIG. 7

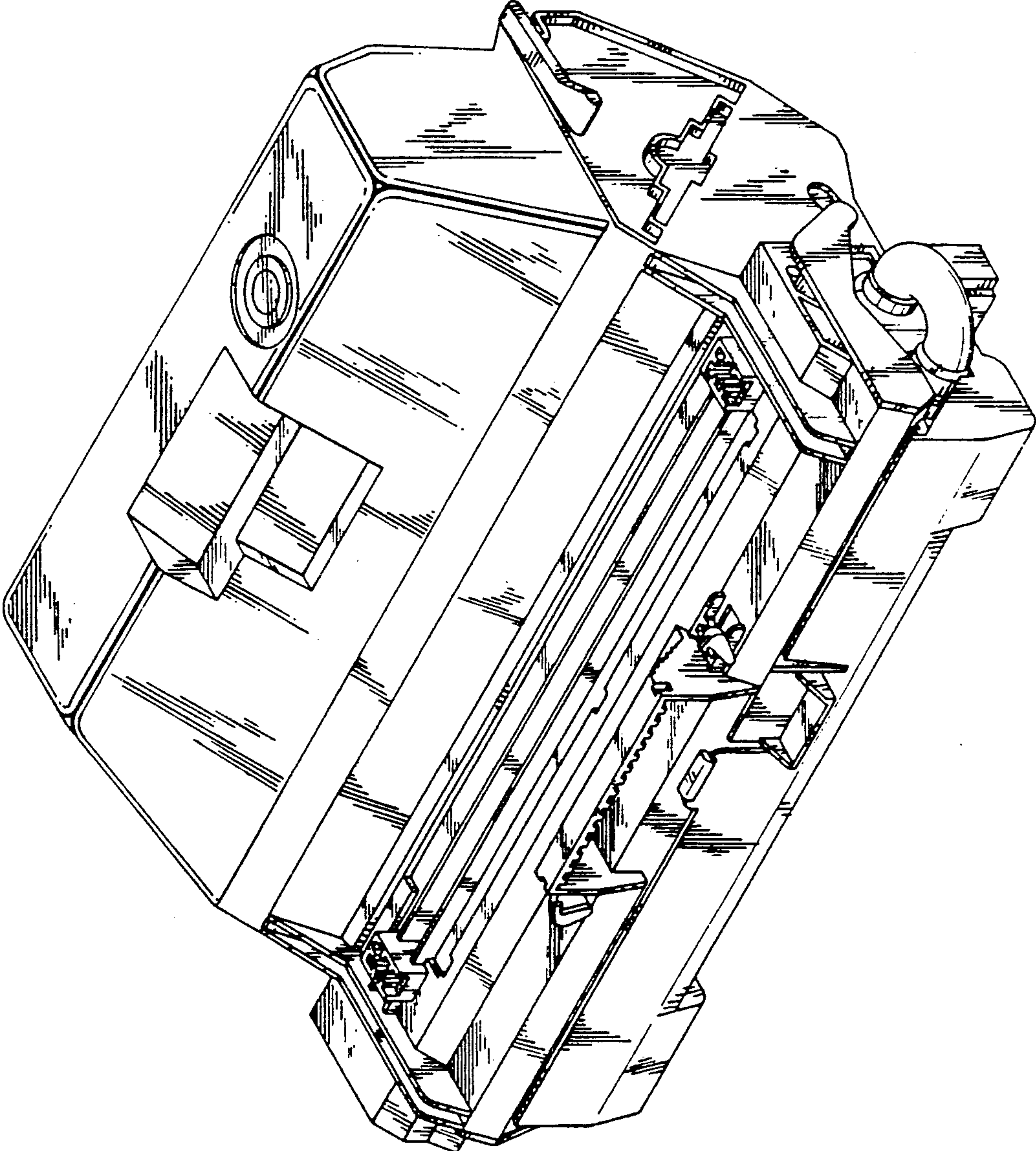




FIG. 8

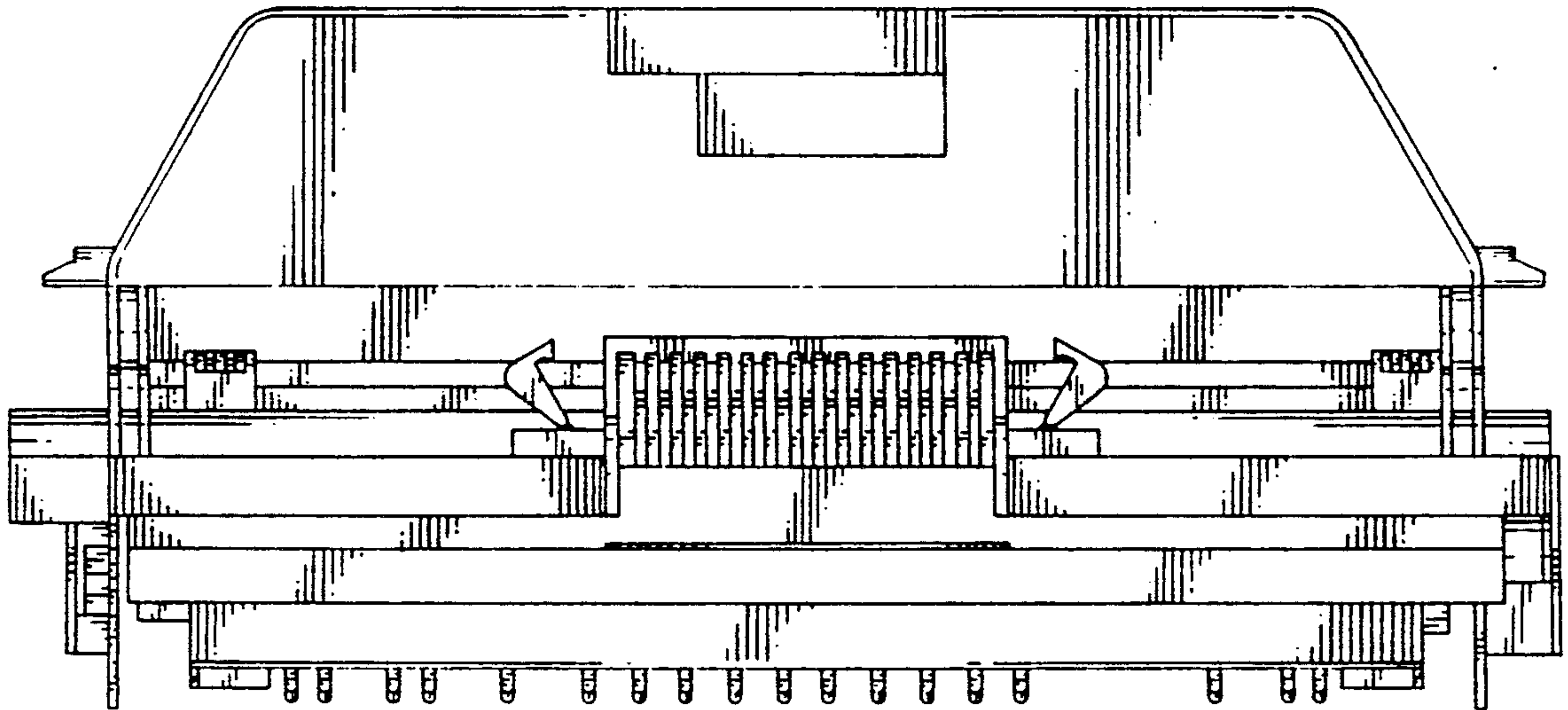


FIG. 9

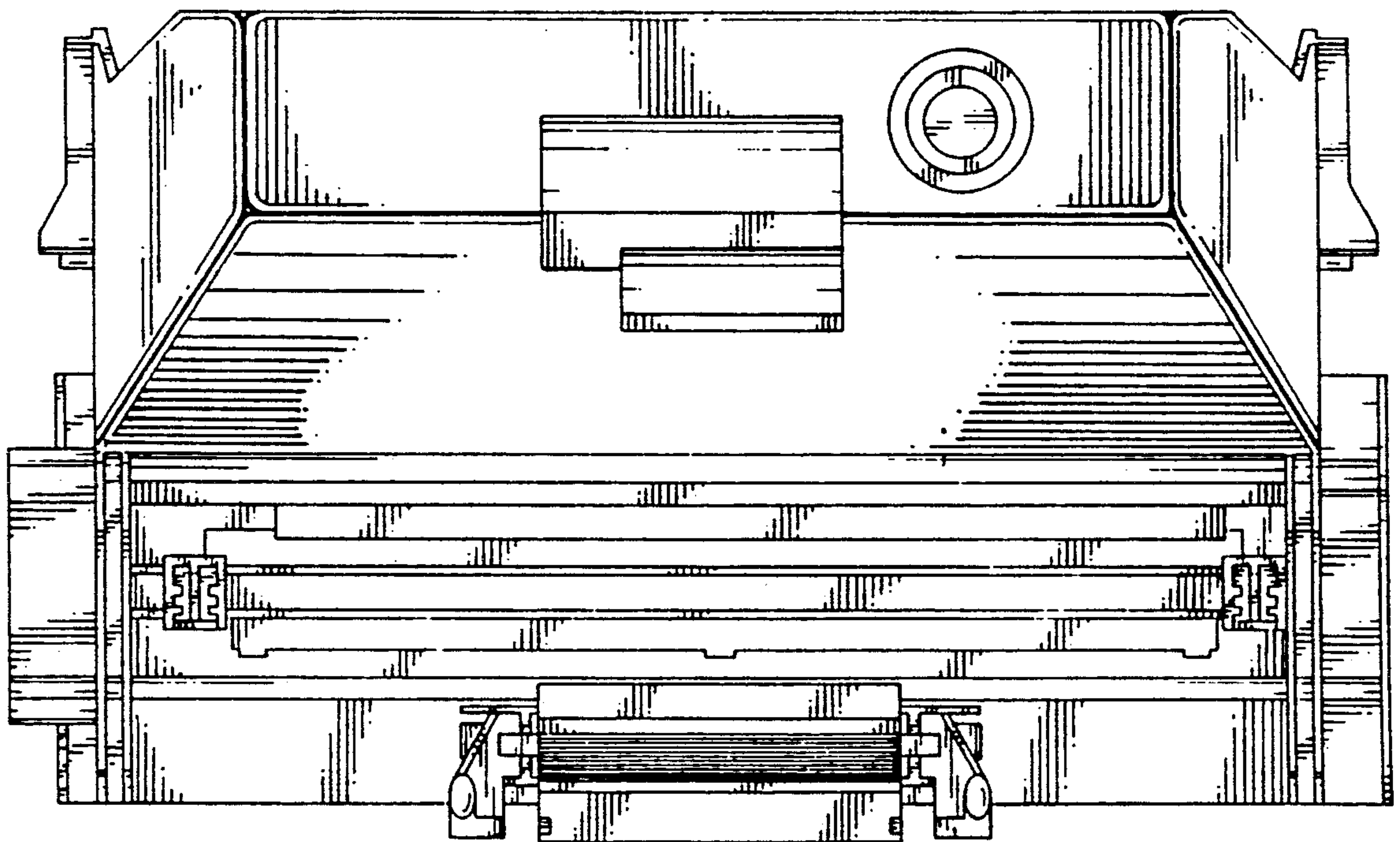


FIG. 10

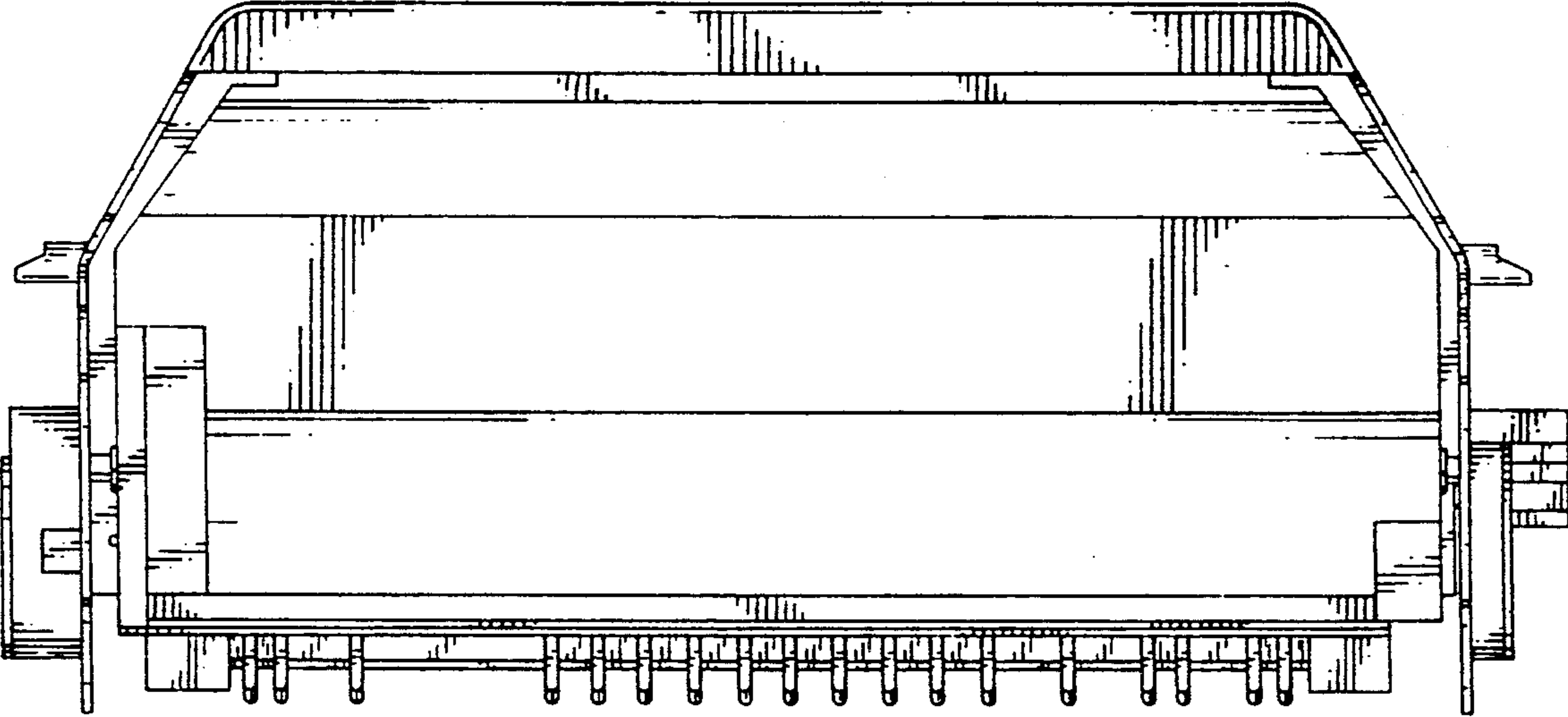


FIG. 11

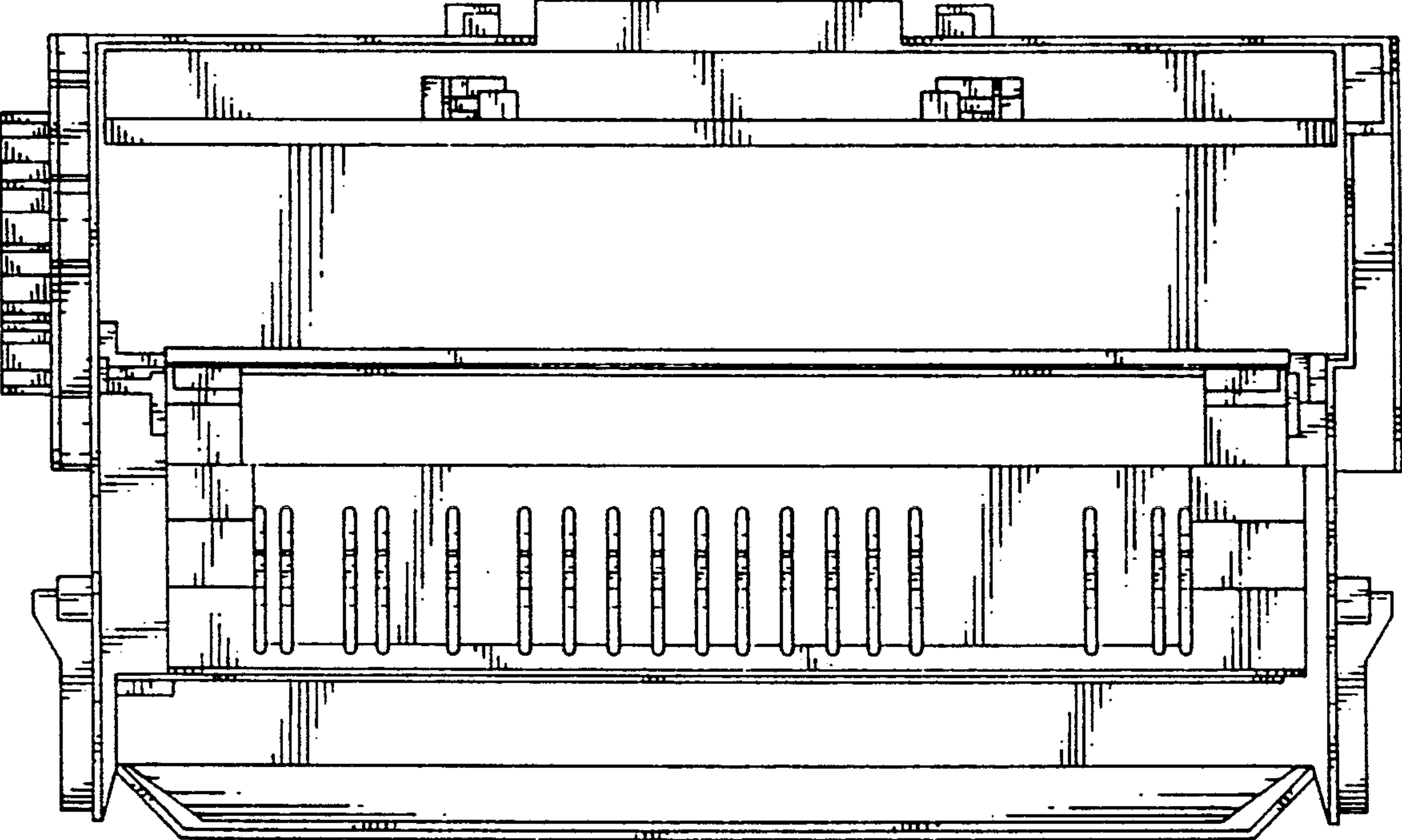


FIG. 12

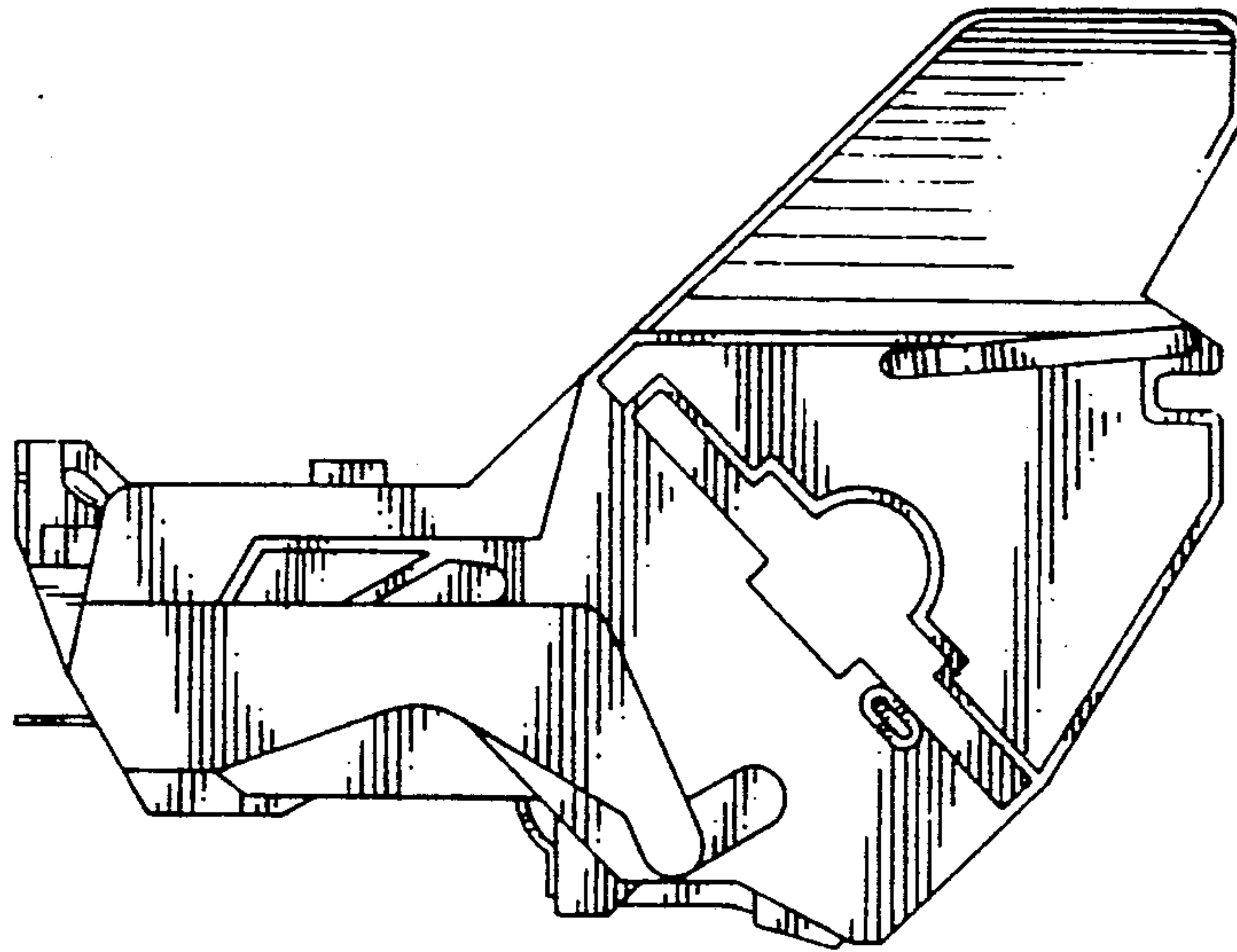


FIG. 13

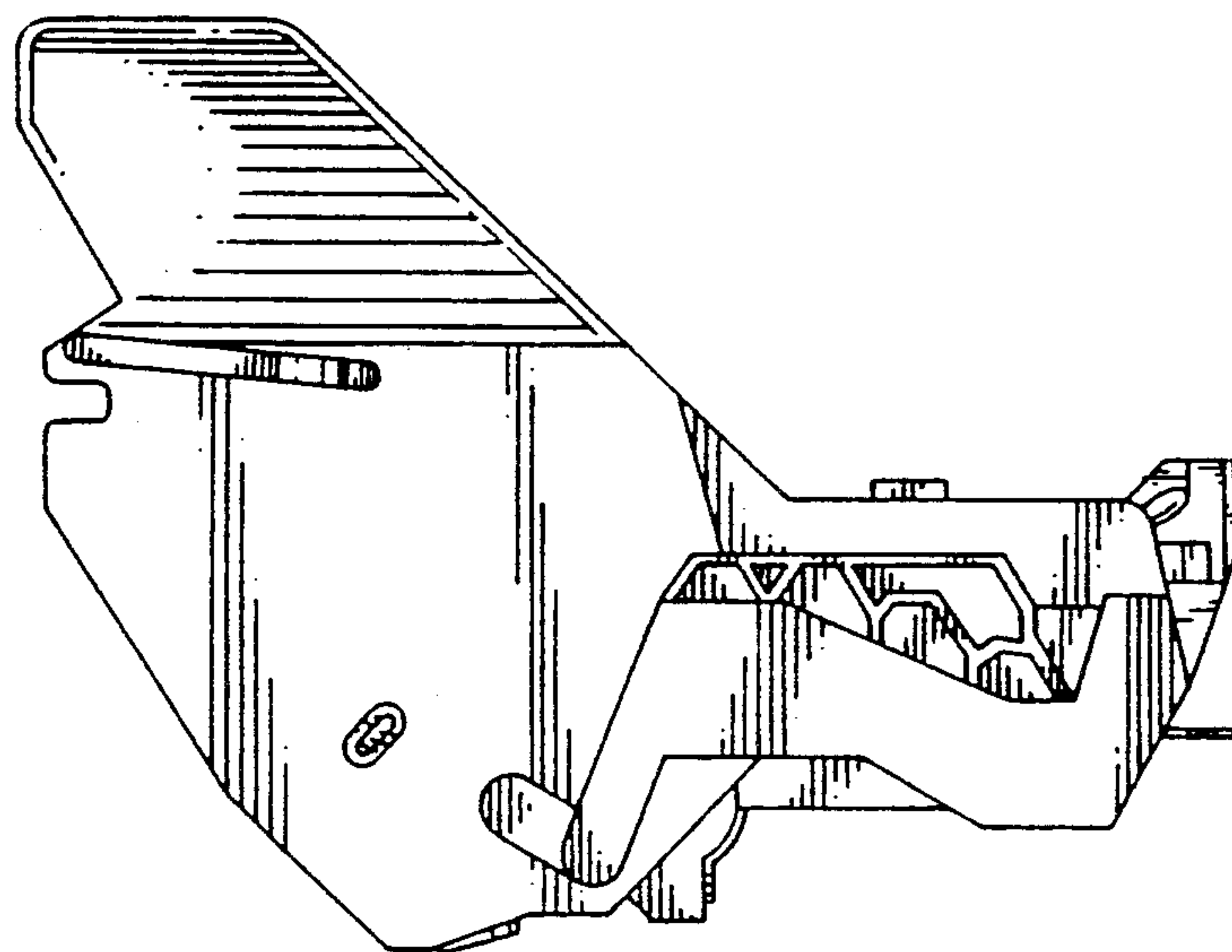




FIG. 14

