

[54] STRIP PRINTER

[75] Inventors: John G. Clary, Pasadena; Milton V. Scozzafava, Rowland Heights, both of Calif.

[73] Assignee: Addmaster Corporation, Monrovia, Calif.

[\*\*] Term: 14 Years

[21] Appl. No.: 390,685

[22] Filed: Aug. 7, 1989

[52] U.S. Cl. .... D18/50

[58] Field of Search ..... D18/6, 13, 34, 36, 39; D14/100, 106, 107, 108, 118, 141, 144; D3/30.1, 33, 72-74, 76; 400/208, 613, 691-694, 613.1-613.4; D20/2, 4

[56] References Cited

U.S. PATENT DOCUMENTS

- D. 249,347 9/1978 Zierhut ..... D14/111
- D. 258,060 1/1981 Shea ..... D14/111
- D. 273,953 5/1984 Lahey ..... D14/111
- D. 286,640 11/1986 Miyazaki ..... D14/111

- D. 288,448 2/1987 Hiroki ..... D14/111
- D. 293,577 1/1988 Gauffin ..... D18/13
- D. 295,413 4/1988 Nakamura et al. .... D14/107
- D. 304,598 11/1989 Jokl ..... D18/13
- D. 306,249 2/1990 Tamada et al. .... D18/34
- 3,992,741 11/1976 Staats ..... D18/34
- 4,277,689 7/1981 Thomas et al. .... D14/107

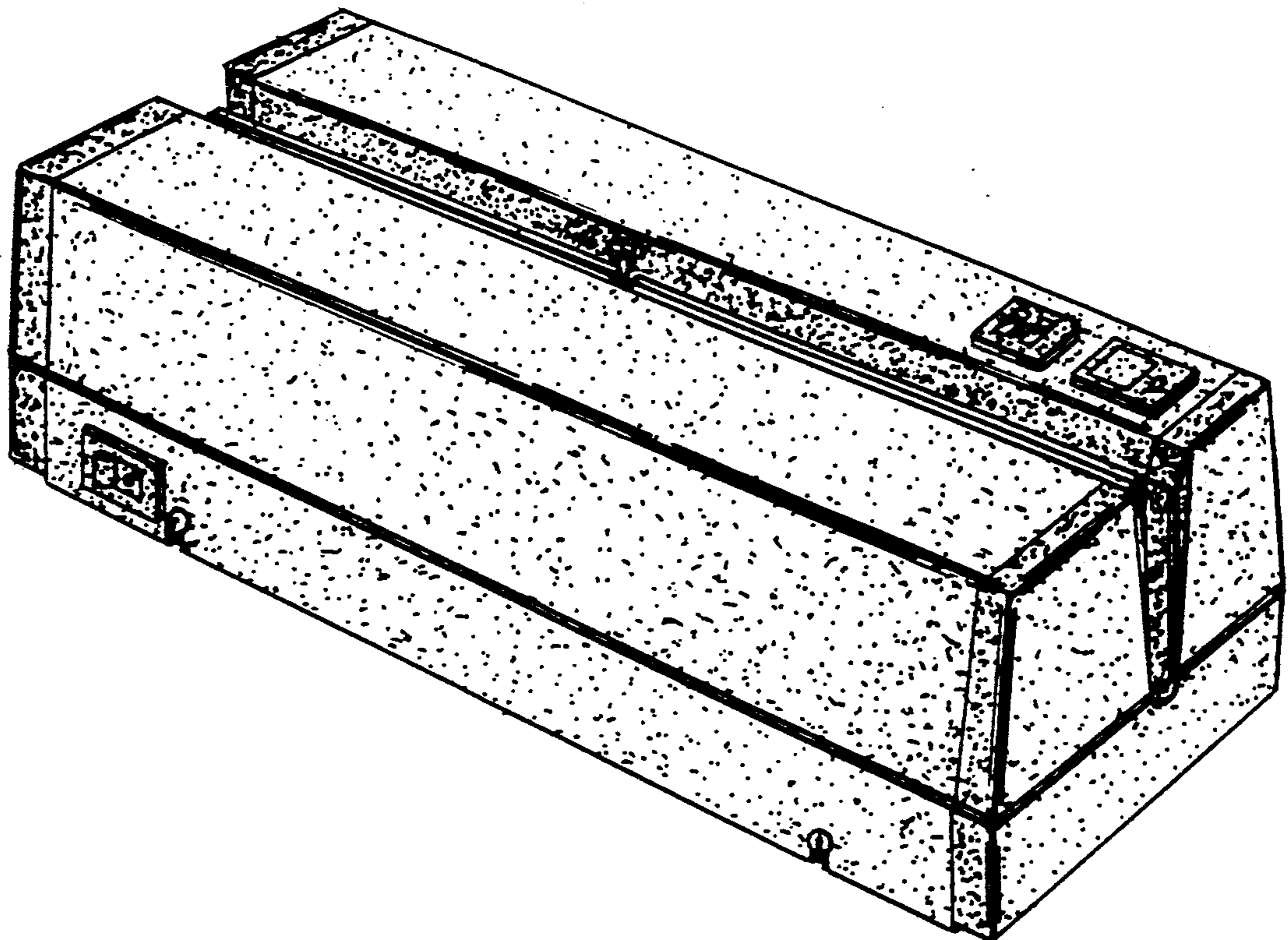
Primary Examiner—A. Hugo Word  
Assistant Examiner—CathyAnne MacCormac  
Attorney, Agent, or Firm—Fred N. Schwend

[57] CLAIM

The ornamental design for a strip printer, as shown and described.

DESCRIPTION

FIG. 1 is a top, front and right side perspective view of a strip printer showing our new design; FIG. 2 is a top plan view thereof; FIG. 3 is a bottom plan view thereof; FIG. 4 is a left side elevational view thereof; FIG. 5 is a right side elevational view thereof; FIG. 6 is a front elevational view thereof; and FIG. 7 is a rear elevational view thereof.



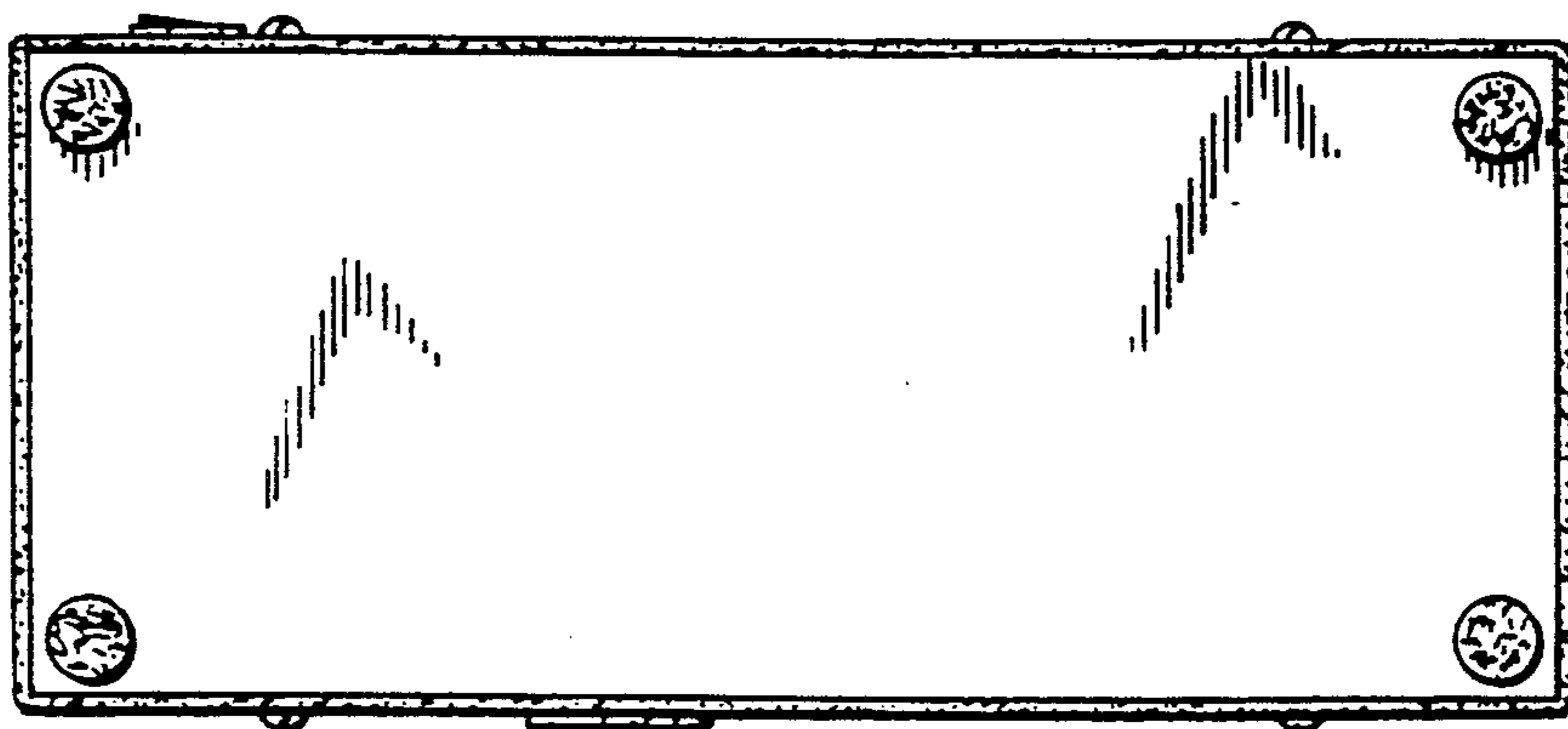
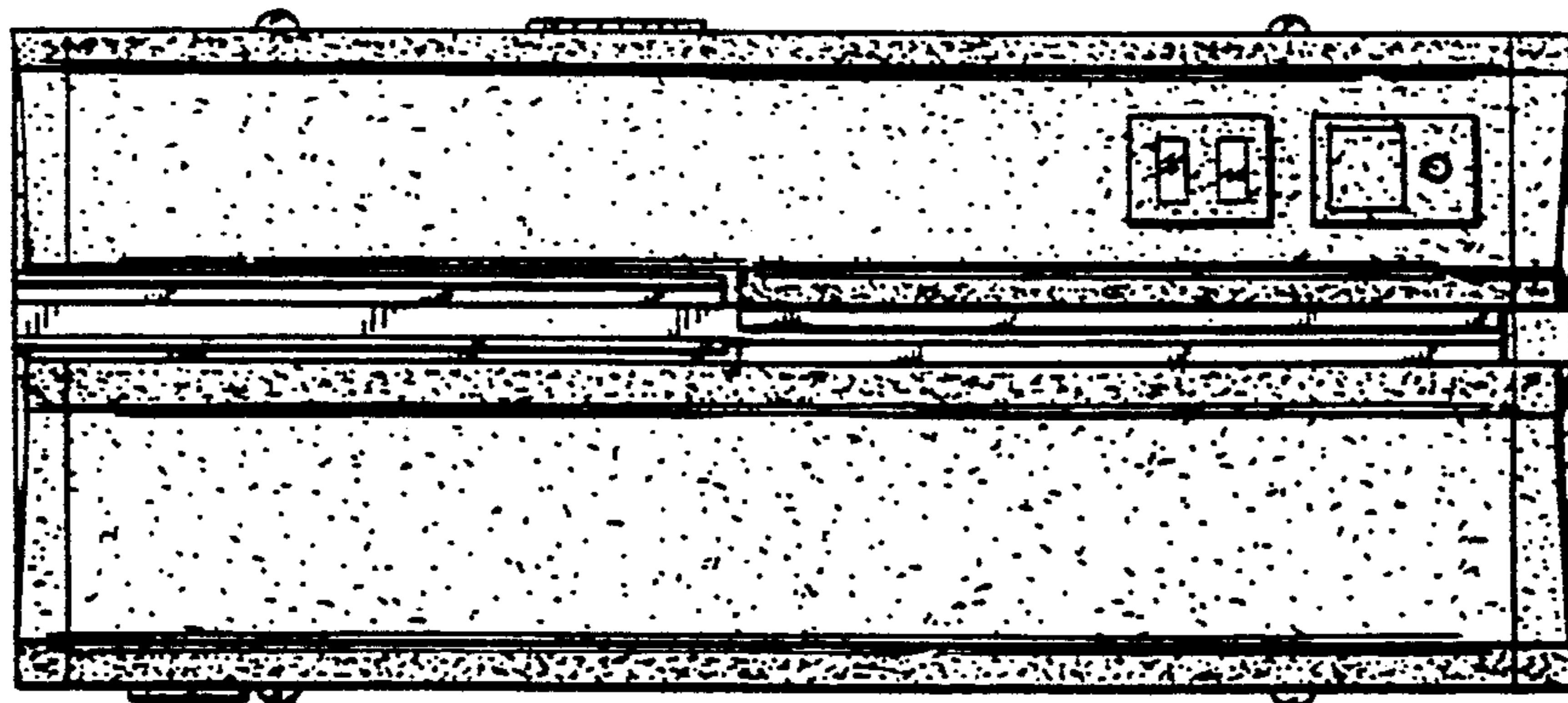
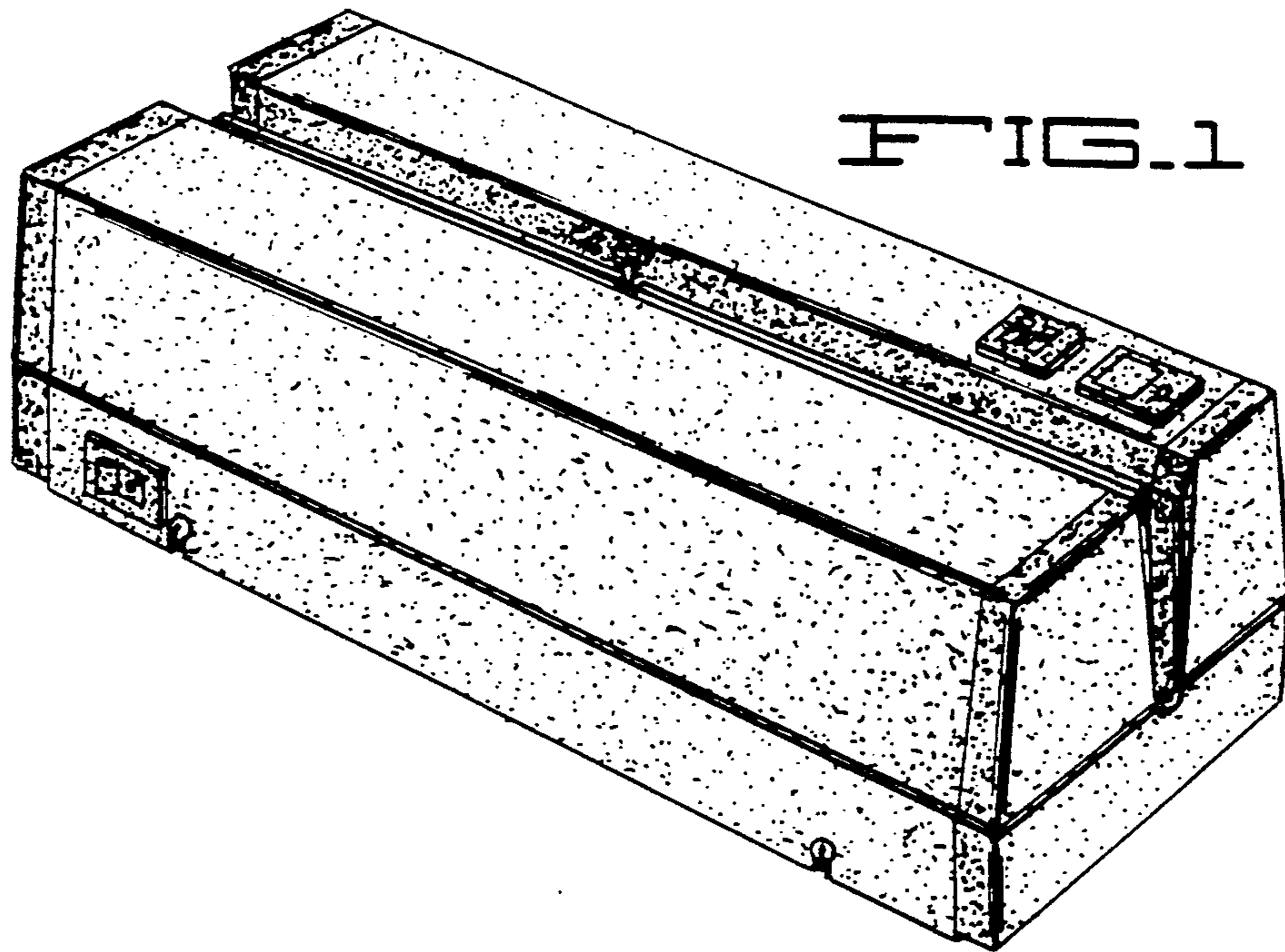


FIG. 4

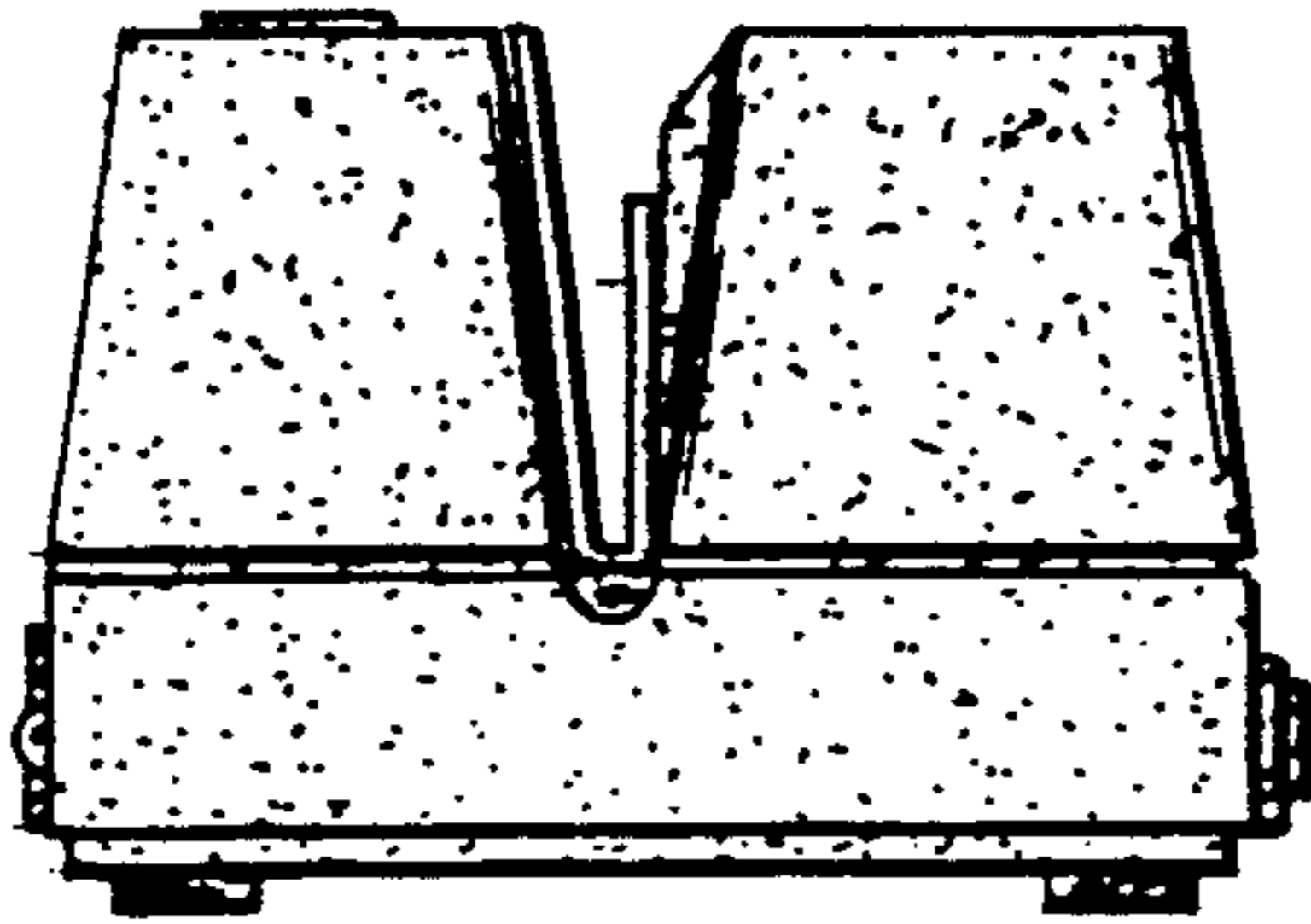


FIG. 5

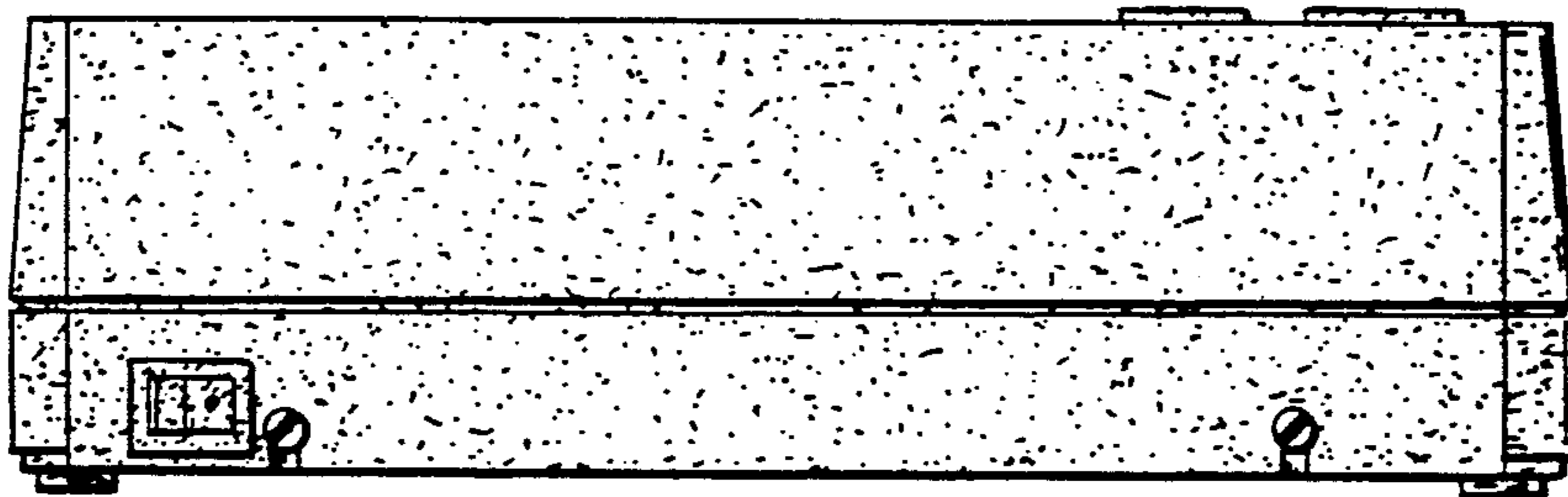
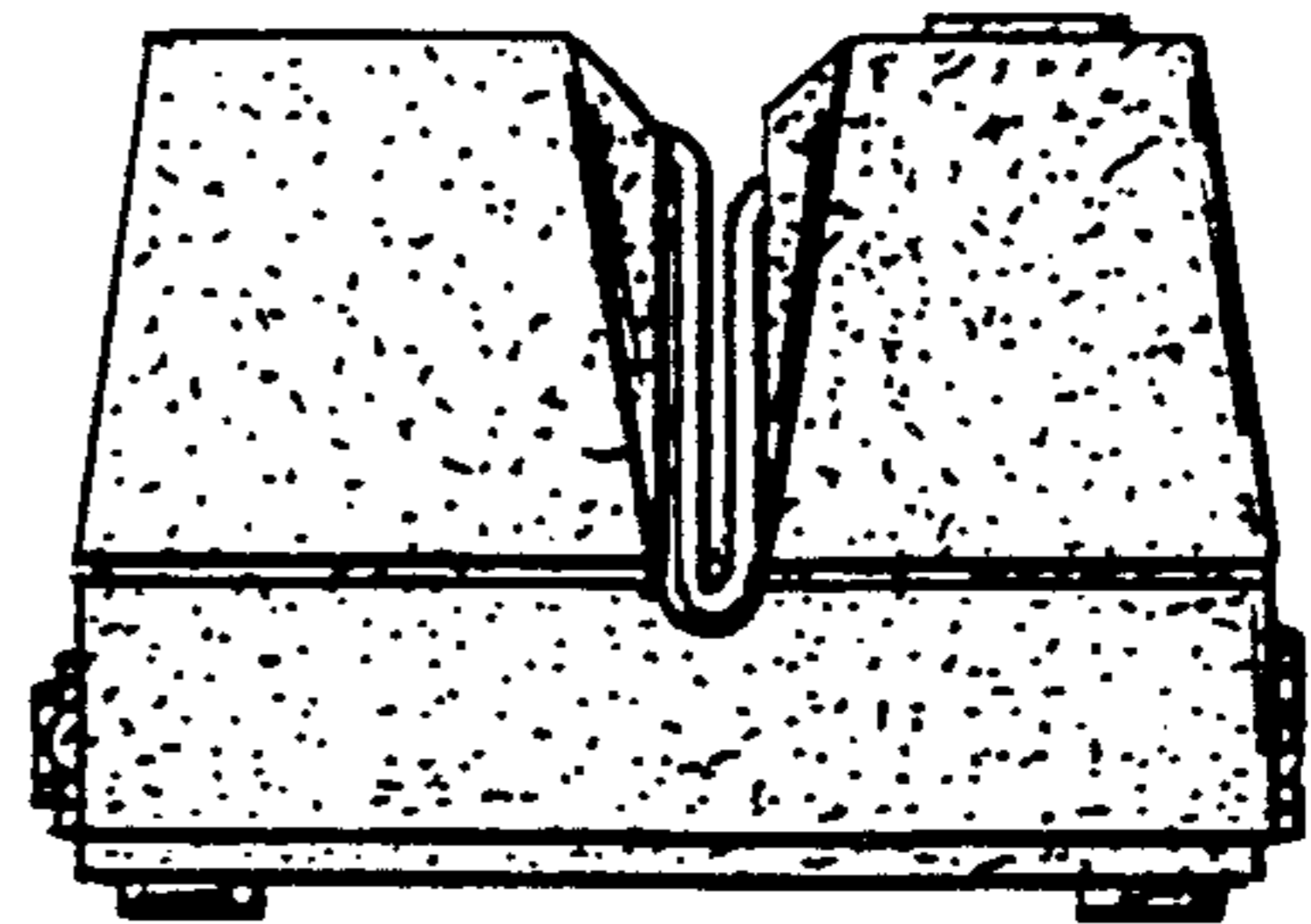


FIG. 6

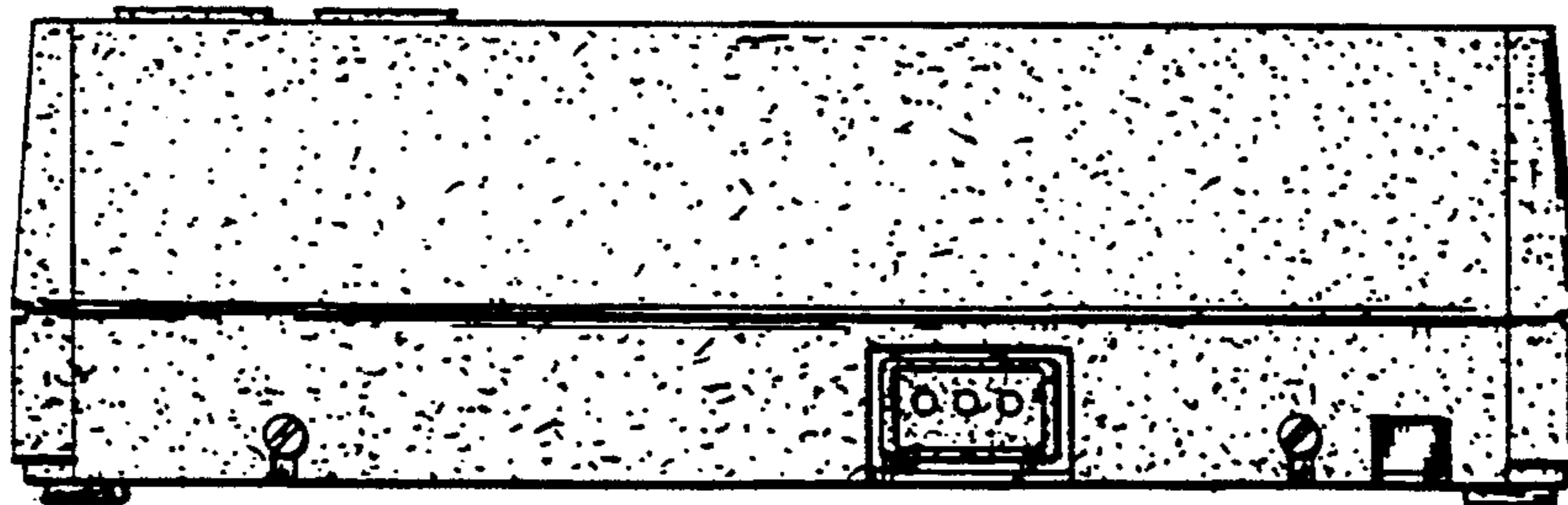


FIG. 7