

[54] TYPING RIBBON CARTRIDGE

[75] Inventor: Enrico Maina, Leini, Italy
[73] Assignee: Ing. C. Olivetti & C., S.p.A., Ivrea, Italy
[**] Term: 14 Years
[21] Appl. No.: 287,998
[22] Filed: Dec. 21, 1988
[30] Foreign Application Priority Data

Jun. 27, 1988 [IT] Italy 53259B/88[U]
[52] U.S. Cl. D18/12
[58] Field of Search D18/12, 22, 99; D14/11;
400/194, 195, 196, 196.1, 207, 208

[56] References Cited

U.S. PATENT DOCUMENTS

3,854,565 12/1974 Kupferschmidt et al. 400/208
4,406,553 9/1983 Nally et al. 400/208
4,601,594 7/1986 Hayashi et al. 400/196.1

OTHER PUBLICATIONS

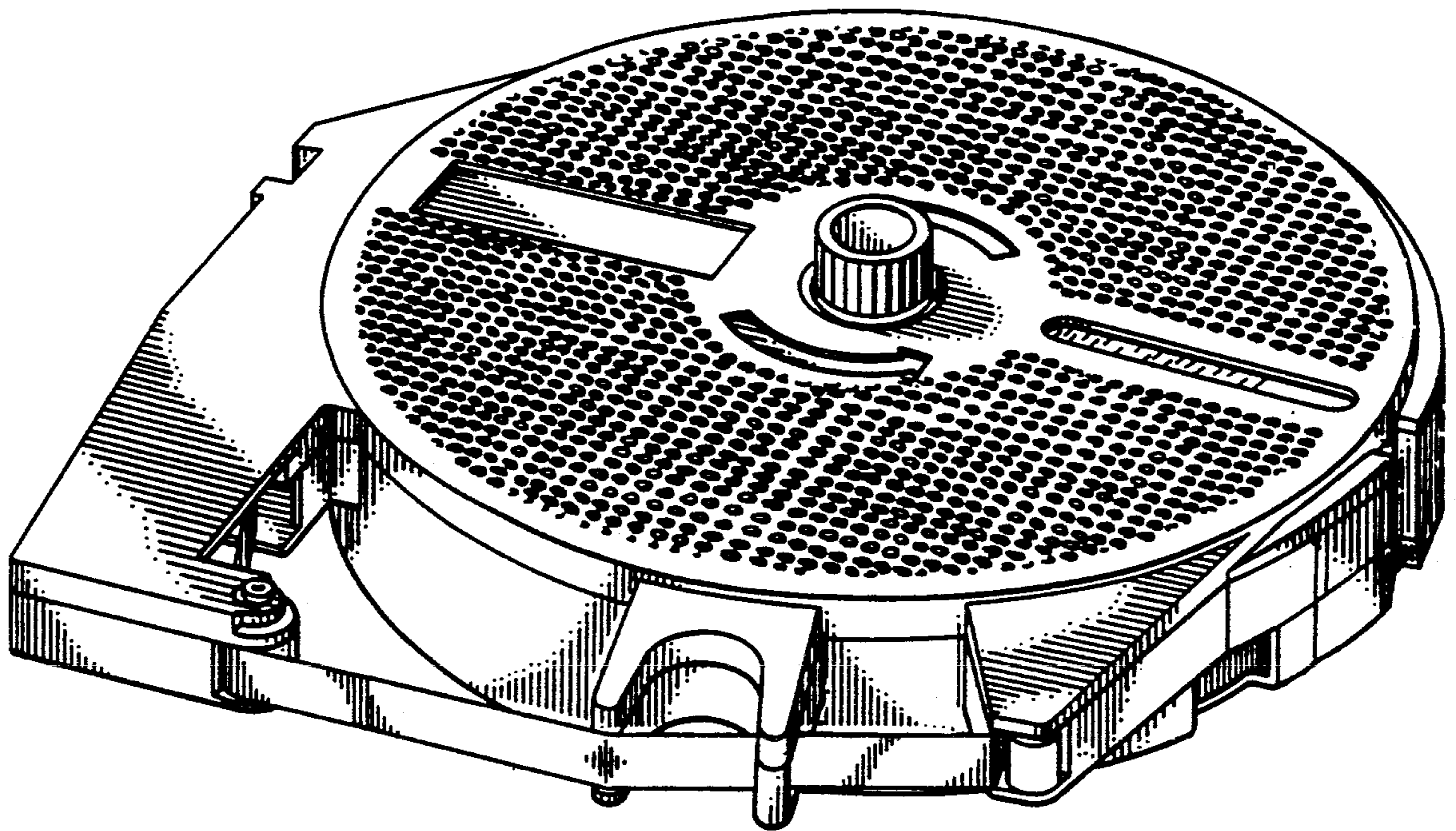
IBM Technical Disclosure Bulletin, vol. 25, No. 12, May 1983.
B. A. Pargh Catalog: Sep. 1985; #12996421BM, Quiet-writer Printer Non Correcting Ribbon, lower right.
Primary Examiner—Nelson C. Holtje
Assistant Examiner—Caron D. Veynar
Attorney, Agent, or Firm—Banner, Birch, McKie & Beckett

[57] CLAIM

The ornamental design for a typing ribbon cartridge, as shown and described.

DESCRIPTION

FIG. 1 is a top, front and right side perspective view of a typing ribbon cartridge showing my new design; FIG. 2 is a rear and left side perspective view thereof; FIG. 3 is a right side elevational view thereof; and FIG. 4 is a bottom plan view thereof.



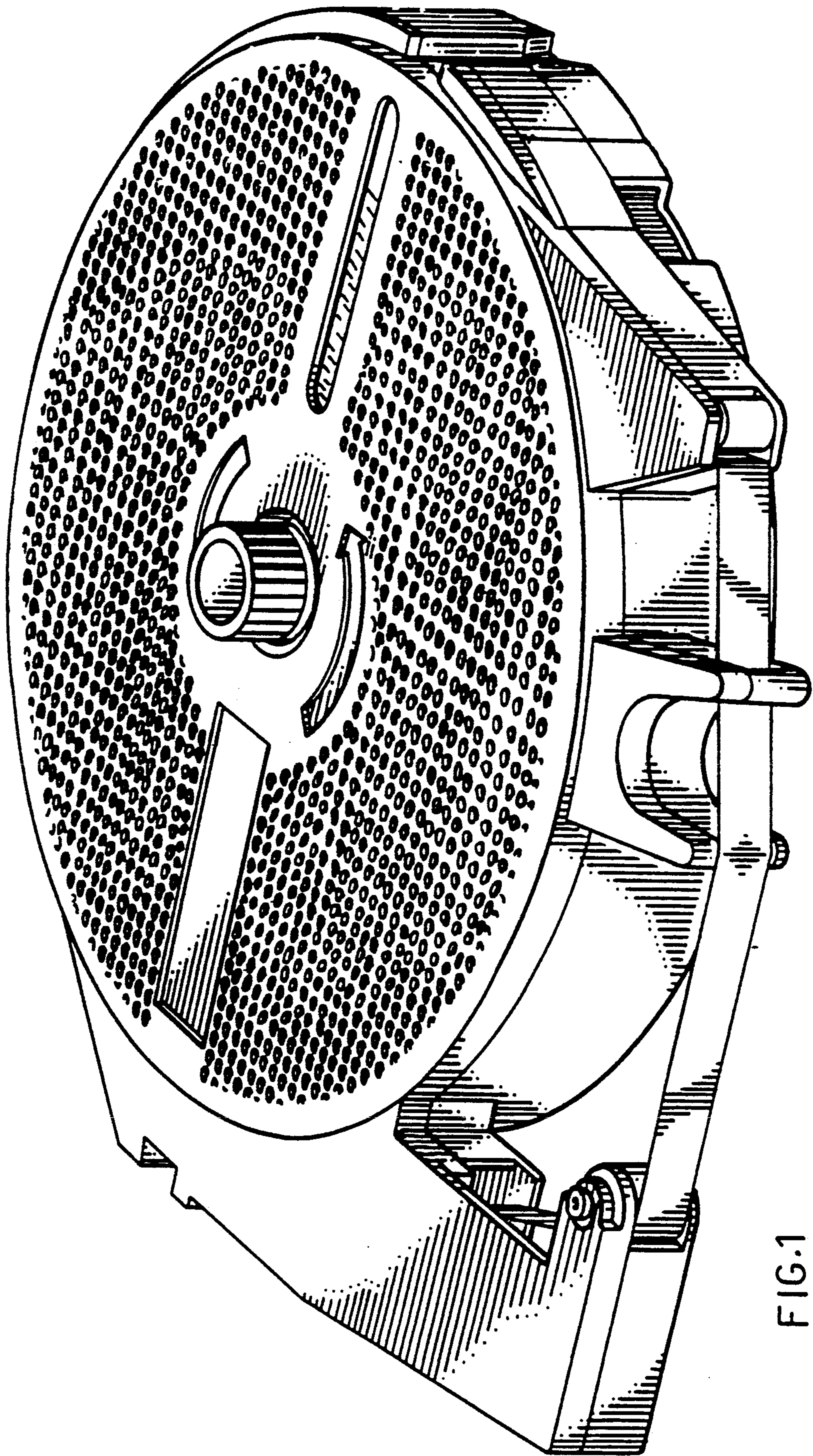


FIG.1

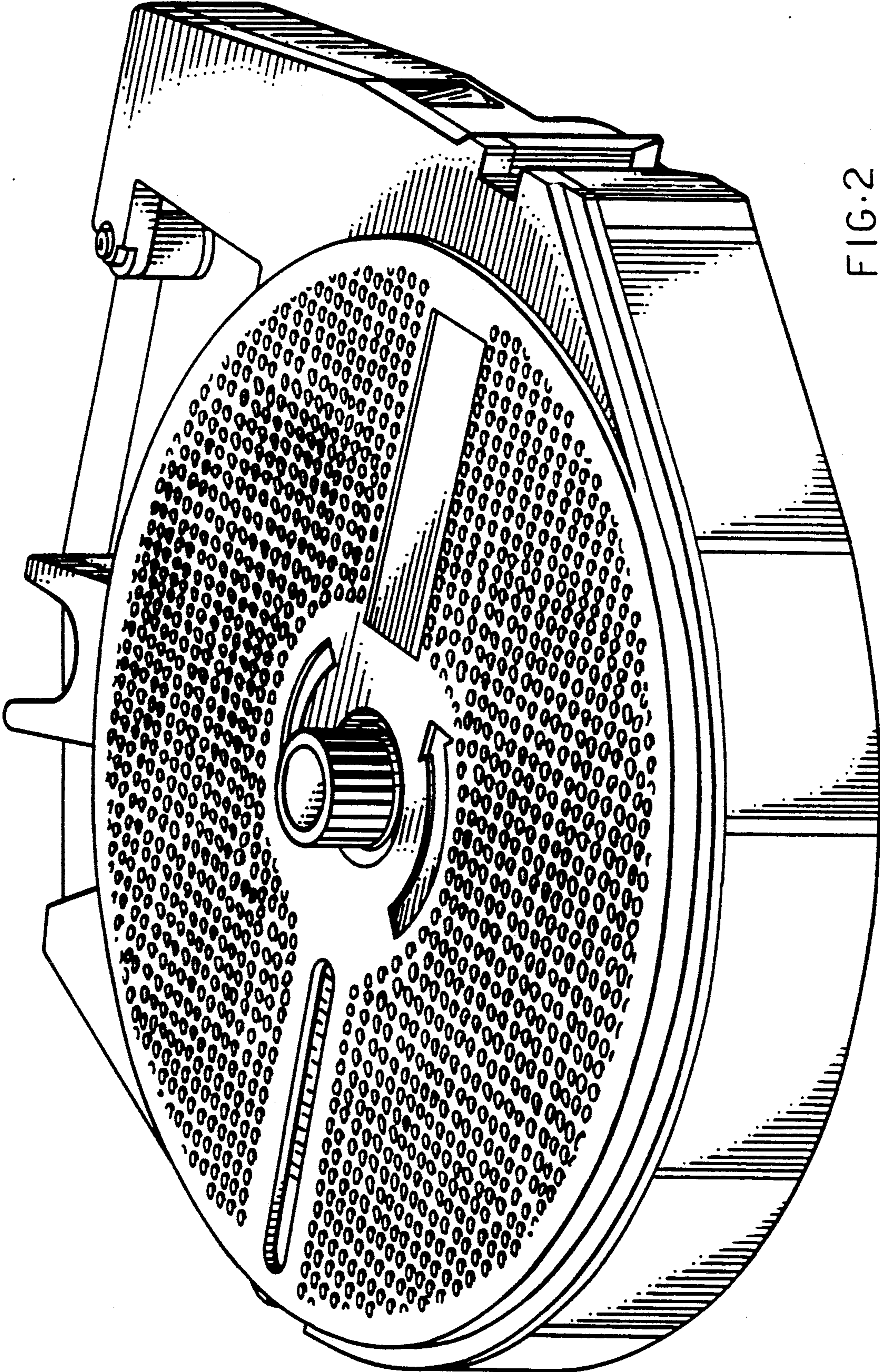


FIG. 2

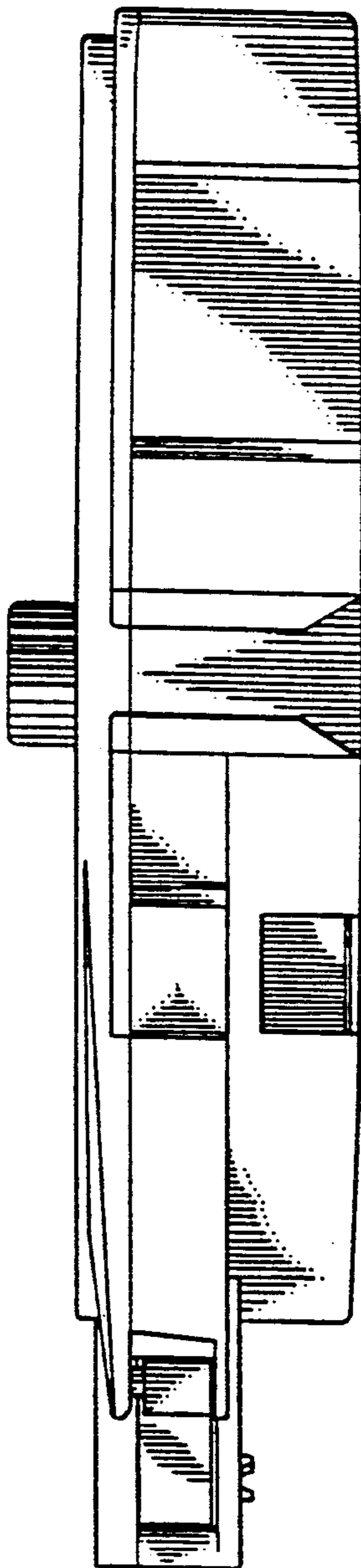


FIG. 3

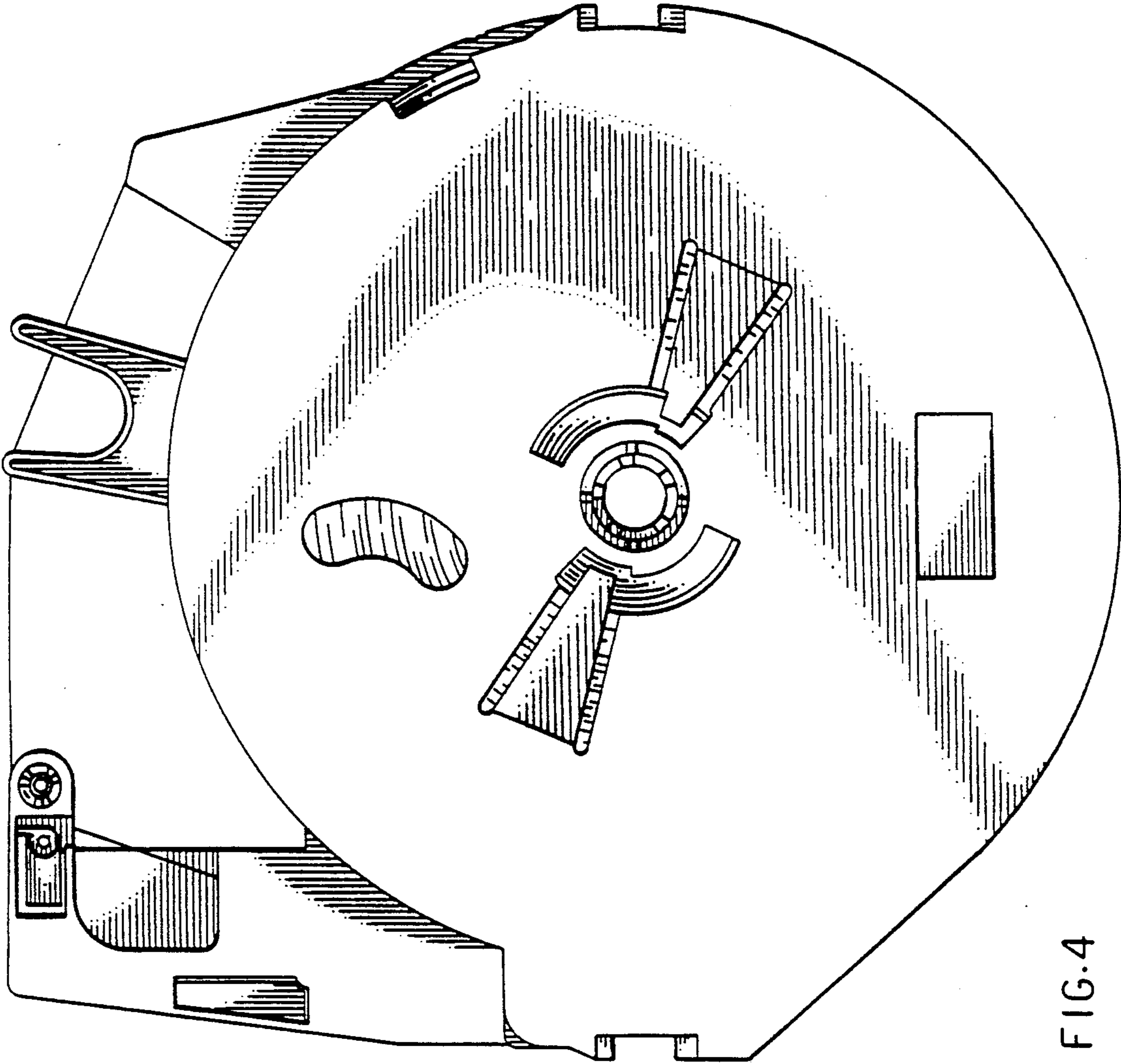


FIG. 4