

[54] TOY ELECTRONIC DRUM

[76] Inventor: David Chen, No. 1598, Jong-Shan Rd., Shern-Gang, Taichung Hsien, Taiwan

[**] Term: 14 Years

[21] Appl. No.: 423,153

[22] Filed: Oct. 18, 1989

[52] U.S. Cl. D17/22; D21/64

[58] Field of Search D17/22, 99; 84/411, 84/414-420, 723-733, 743, DIG. 12; D21/64; 446/143, 408

[56] References Cited

U.S. PATENT DOCUMENTS

D. 285,572	9/1986	Hoshino	D17/22
D. 297,945	10/1988	Seiler	D17/22
3,113,480	12/1963	Giarratano	84/411 R
4,479,412	10/1984	Klynas	84/DIG. 12
4,700,602	10/1987	Bozzio	84/732

OTHER PUBLICATIONS

W. Bell & Co., 1987-1988, p. 221 (Casio Drum Pads, item C).

Hong Kong Enterprise catalog, 3/1989, p. 245 (Electronic Drum Set, item 8502).

Primary Examiner—Bernard Ansher

Assistant Examiner—Adir Aronovich

Attorney, Agent, or Firm—Browdy & Neimark

[57] CLAIM

The ornamental design for a toy electronic drum, as shown.

DESCRIPTION

FIG. 1 is a top, front perspective view of a toy electronic drum showing my new design;

FIG. 2 is a top plan view thereof;

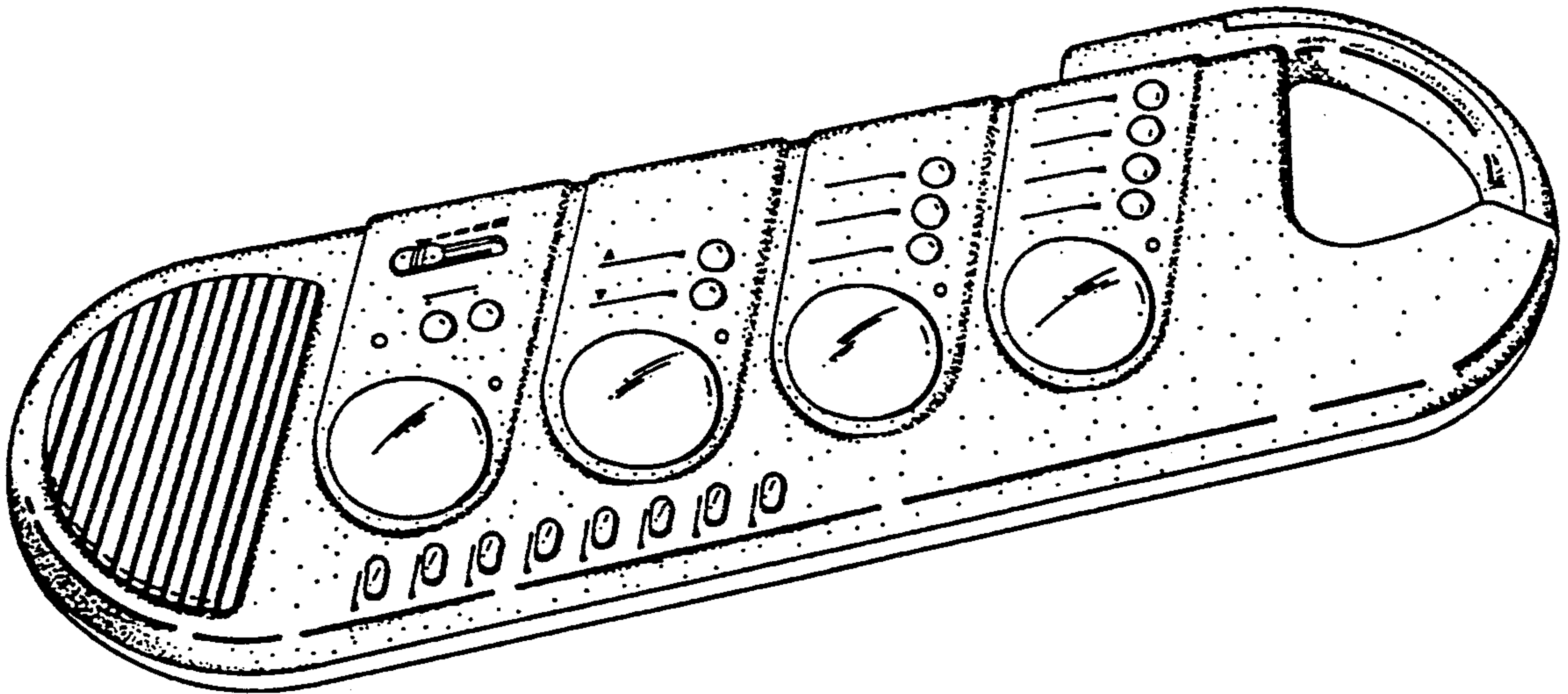
FIG. 3 is a rear elevational view thereof;

FIG. 4 is a left side elevational view thereof;

FIG. 5 is a front elevational view thereof;

FIG. 6 is a bottom plan view thereof; and

FIG. 7 is a right side elevational view thereof.



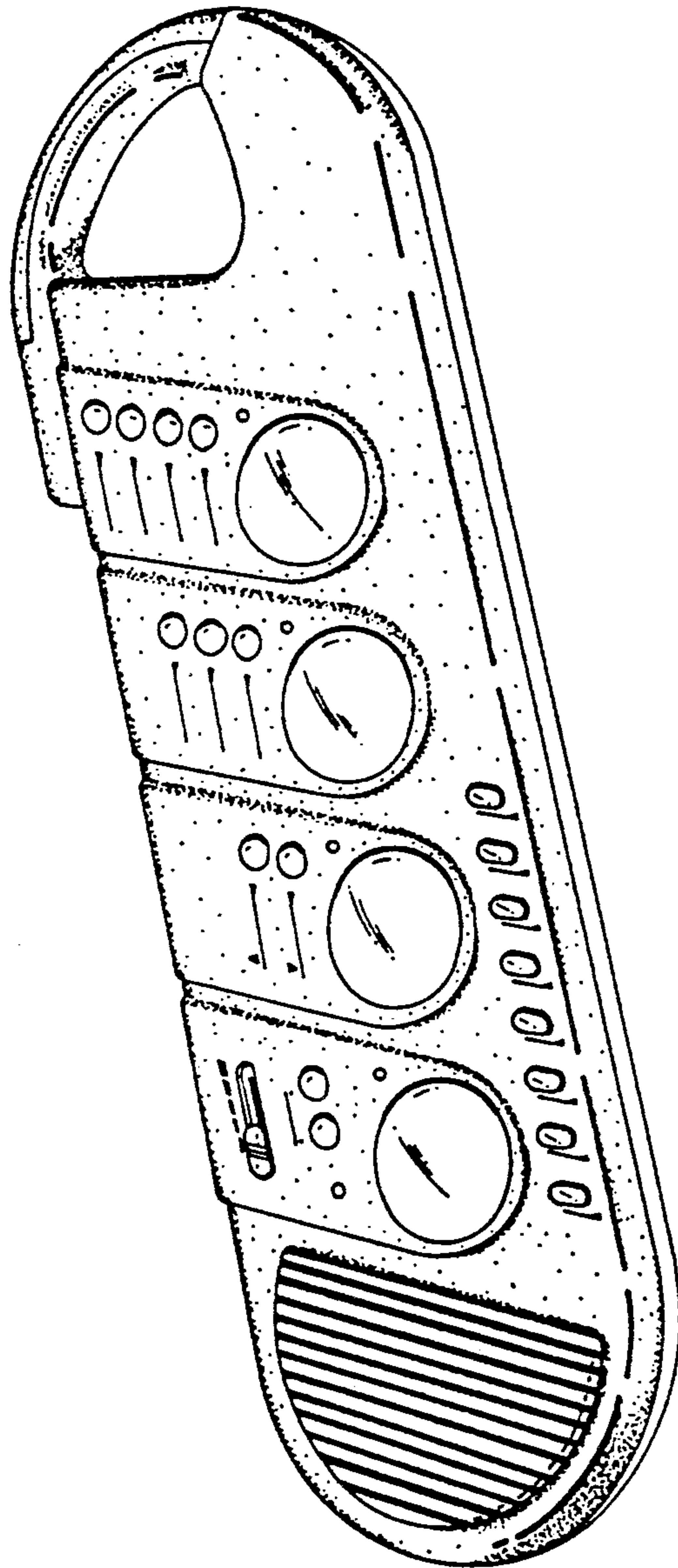


FIG. 1

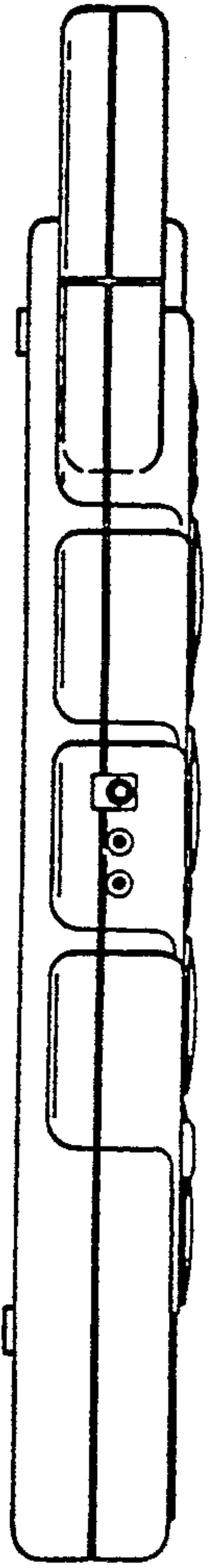


FIG. 3

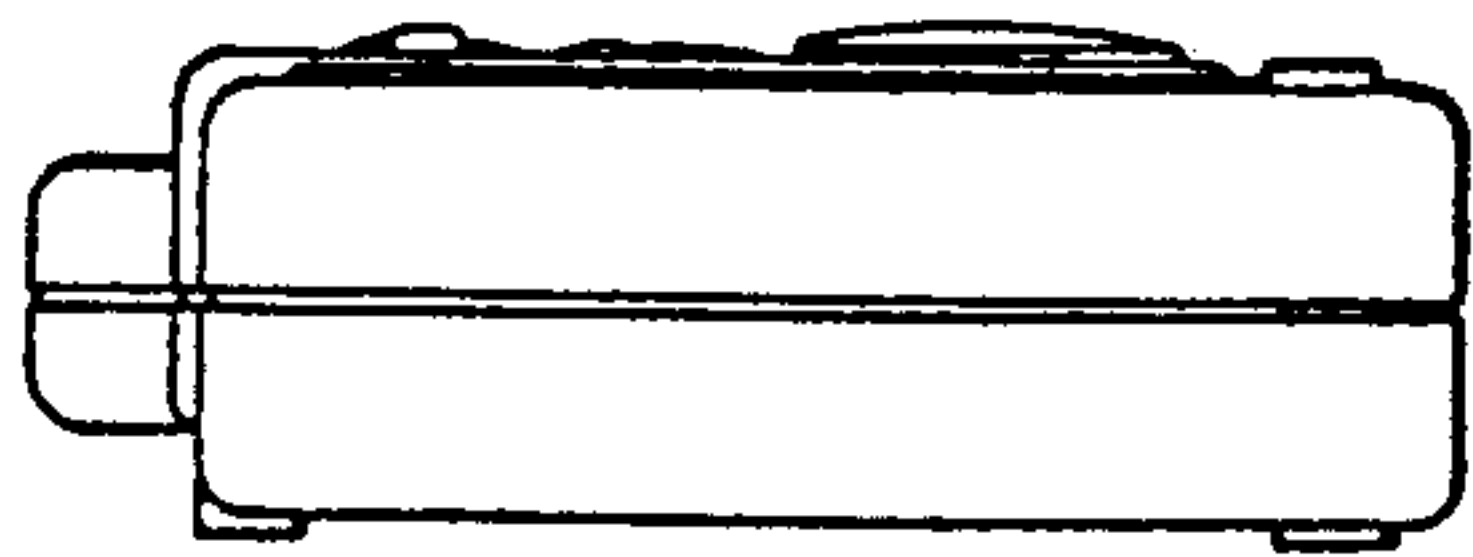


FIG. 4

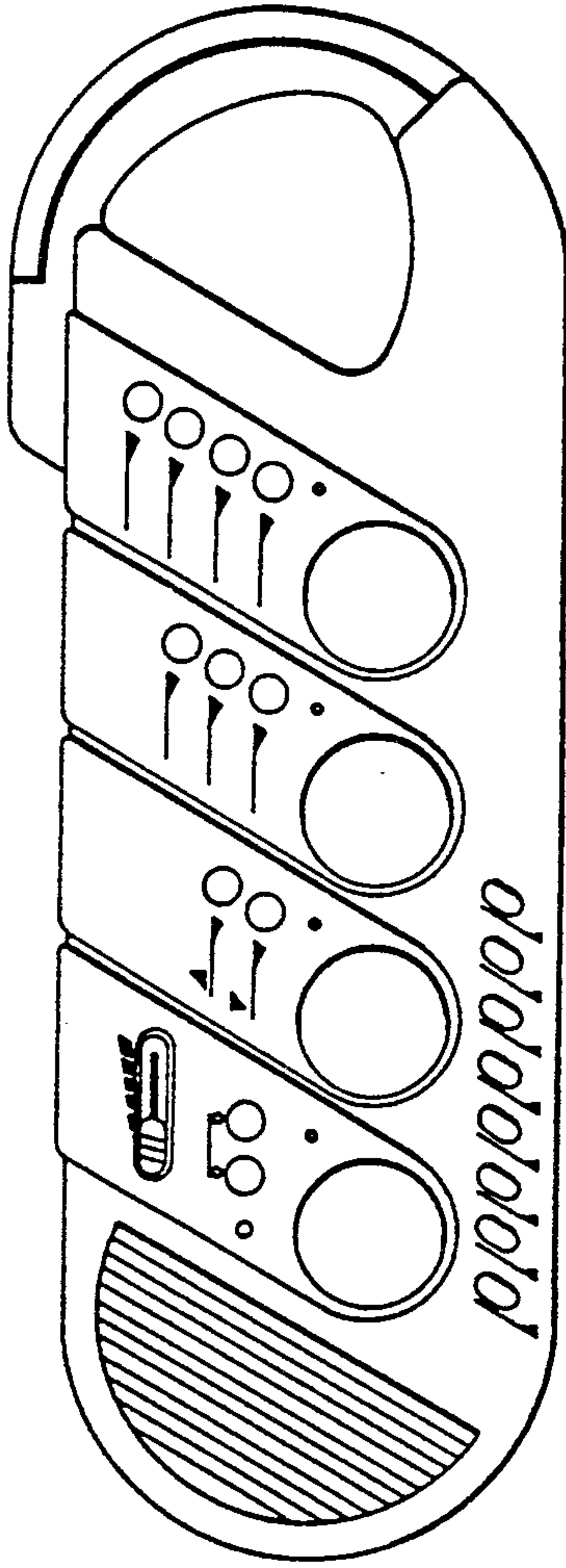


FIG. 2

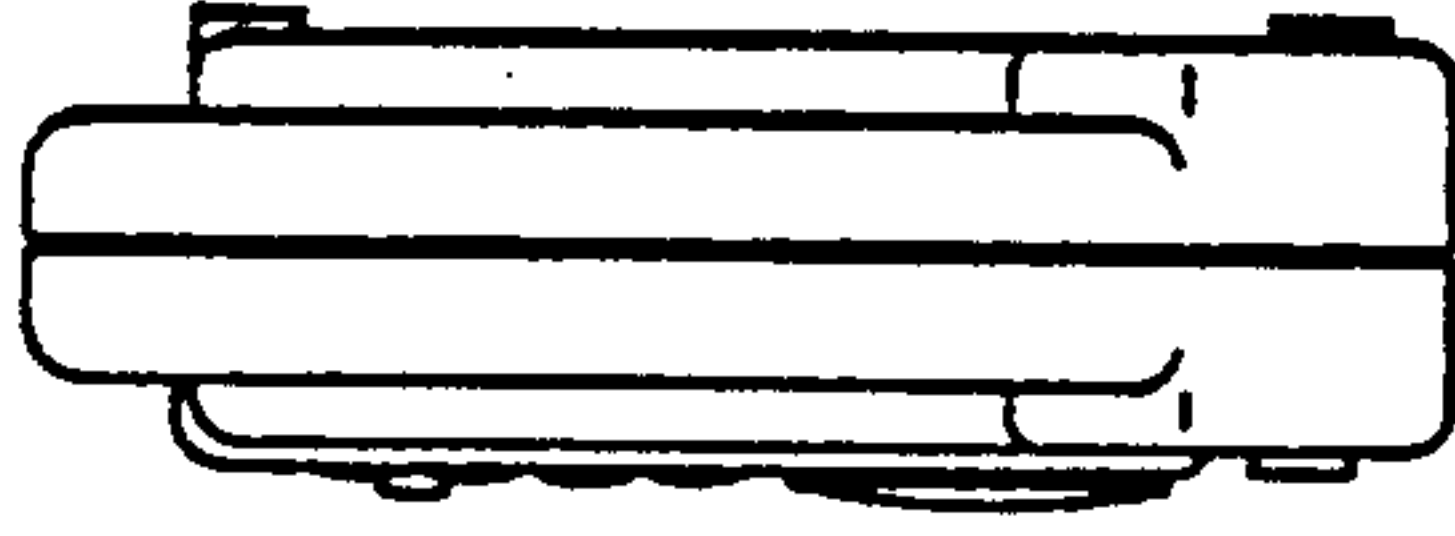


FIG. 7

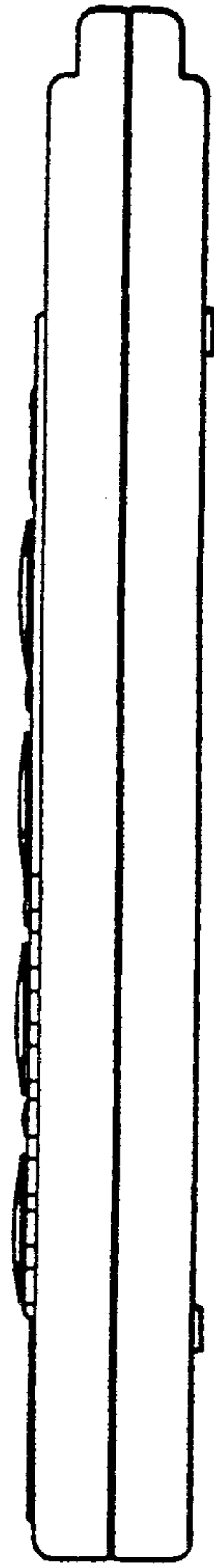


FIG. 5

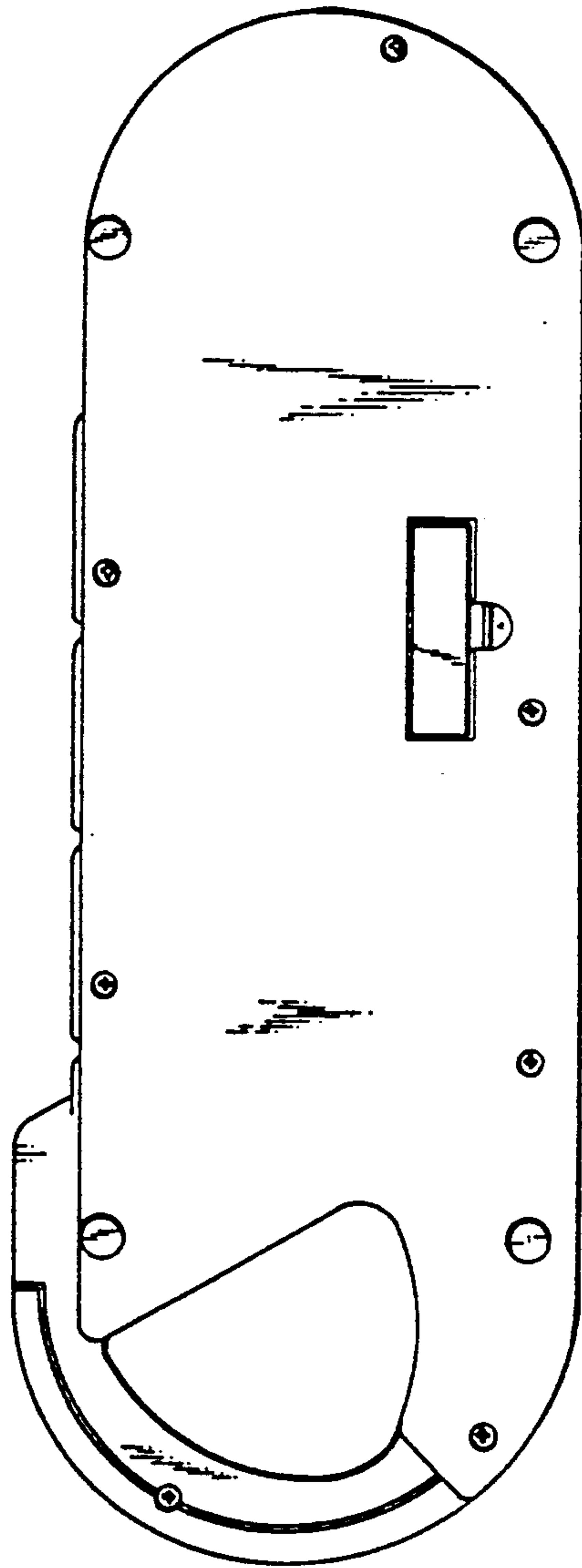


FIG. 6