

[54] **FOLDABLE PORTABLE OVERHEAD PROJECTOR**

[75] **Inventor:** Charles B. Jewison, Batavia, Ill.  
 [73] **Assignee:** Dukane Corporation, St. Charles, Ill.  
 [\*\*] **Term:** 14 Years  
 [21] **Appl. No.:** 415,117  
 [22] **Filed:** Sep. 29, 1989  
 [52] **U.S. Cl. ....** D16/232; D16/229  
 [58] **Field of Search ....** D16/221, 225, 229, 232; 353/61, 66, 96g30, 119, 122, DIG. 3-5

[56] **References Cited**

**U.S. PATENT DOCUMENTS**

D. 170,633	10/1953	Gerald .....	D16/232
2,273,936	2/1942	Ceroni .....	353/63
2,718,171	9/1955	Fitz Gerald .....	353/57
3,124,035	3/1964	Lucas .....	353/82
3,167,998	2/1965	Appeldorn et al. ....	353/99
3,285,126	11/1966	Lucas .....	353/37
3,366,005	1/1968	Benedict .....	353/98
3,653,754	4/1972	Yamanaka .....	354/61
3,979,160	9/1976	Anderson et al. ....	353/63
4,449,800	5/1984	De Longis et al. ....	353/119
4,588,271	5/1986	Emura .....	353/66
4,696,557	9/1987	Tomizuka .....	353/66
4,728,184	3/1988	Kyhl .....	353/96
4,776,688	10/1988	Ushiro et al. ....	353/66
4,938,587	7/1990	Namioka et al. ....	353/66
4,968,134	11/1990	Shimizu et al. ....	353/119

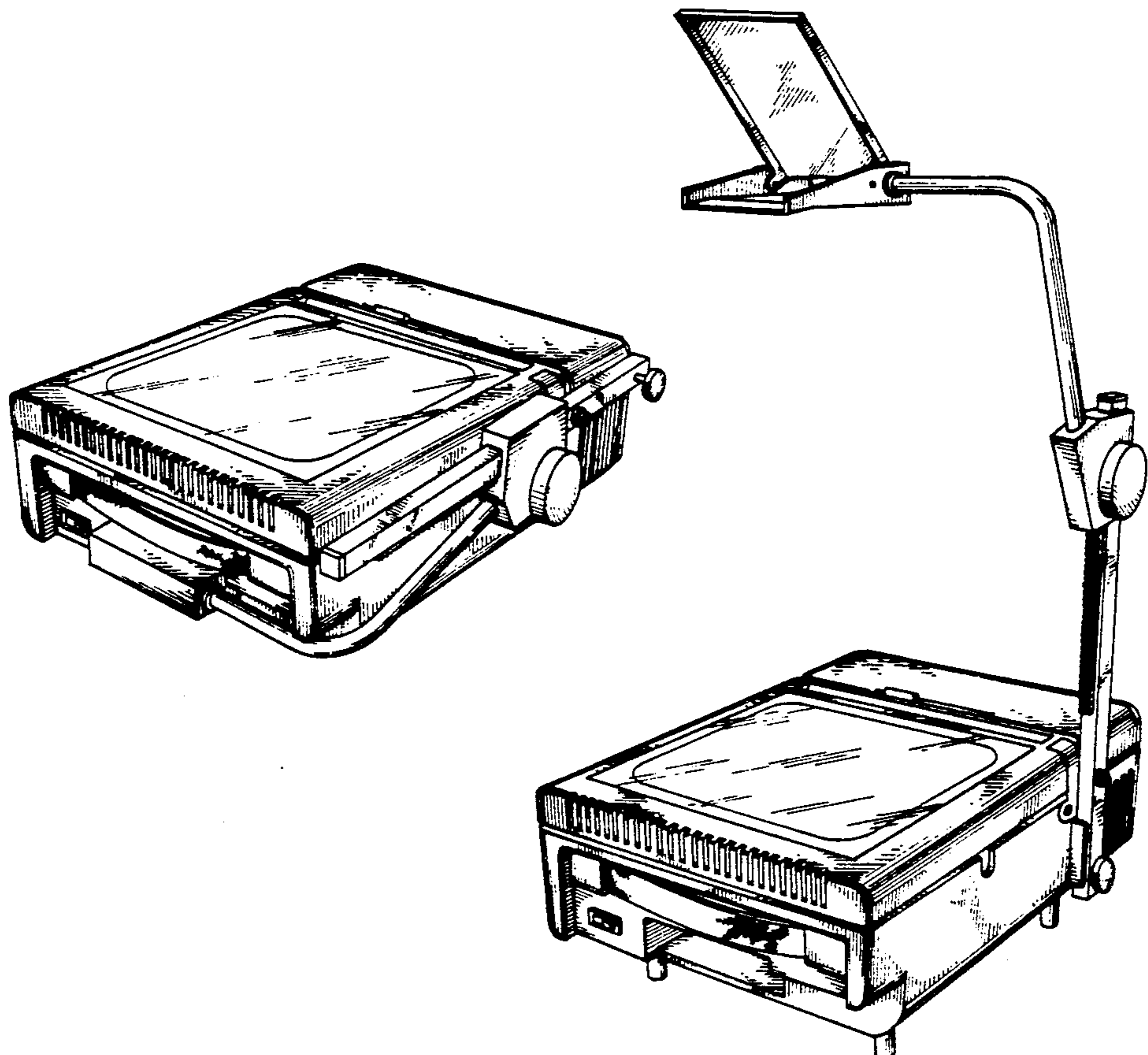
*Primary Examiner*—Melvin B. Feifer  
*Assistant Examiner*—Adir Aronovich  
*Attorney, Agent, or Firm*—Emrich & Dithmar

[57] **CLAIM**

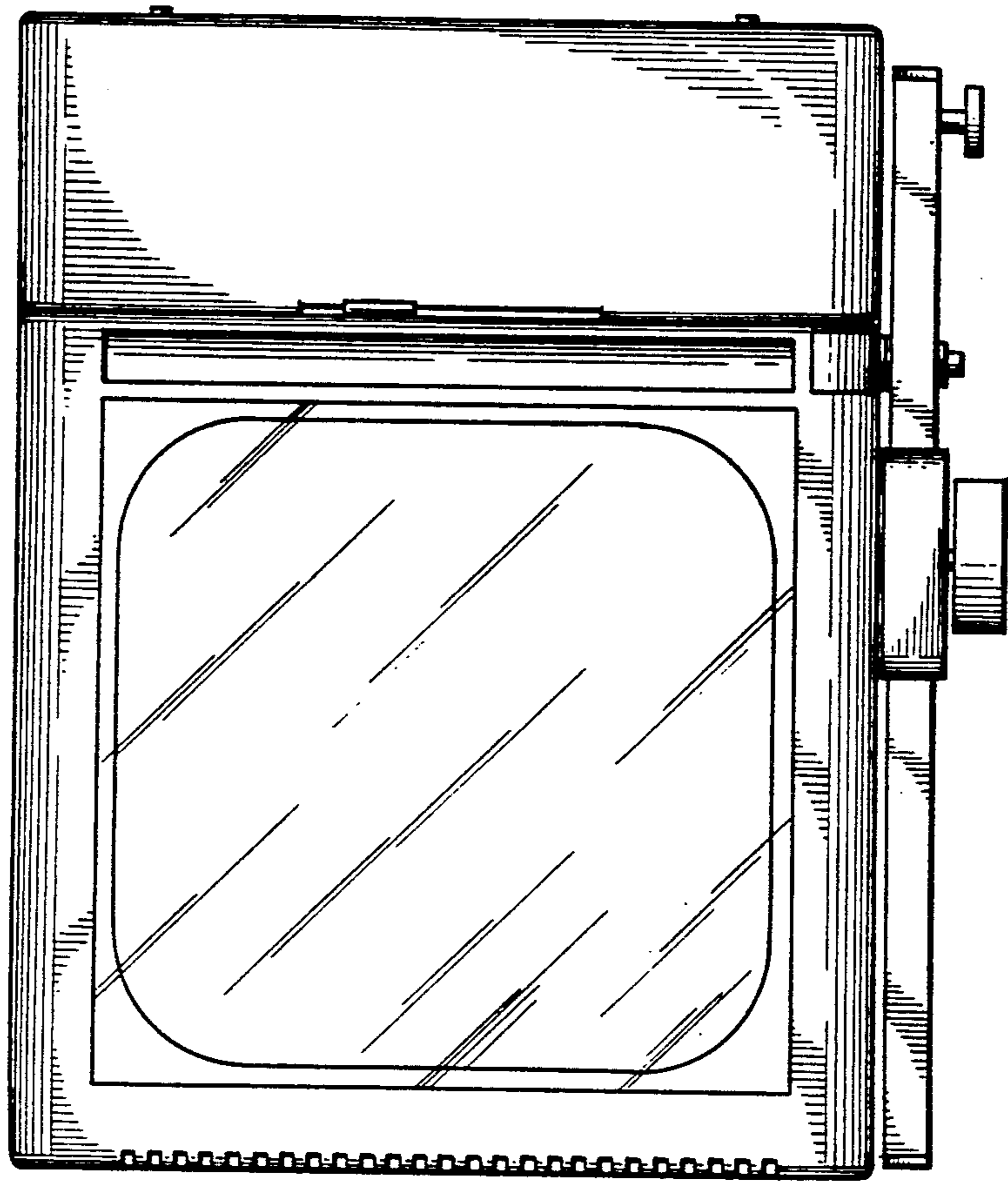
The ornamental design for a foldable portable overhead projector, as shown and described.

**DESCRIPTION**

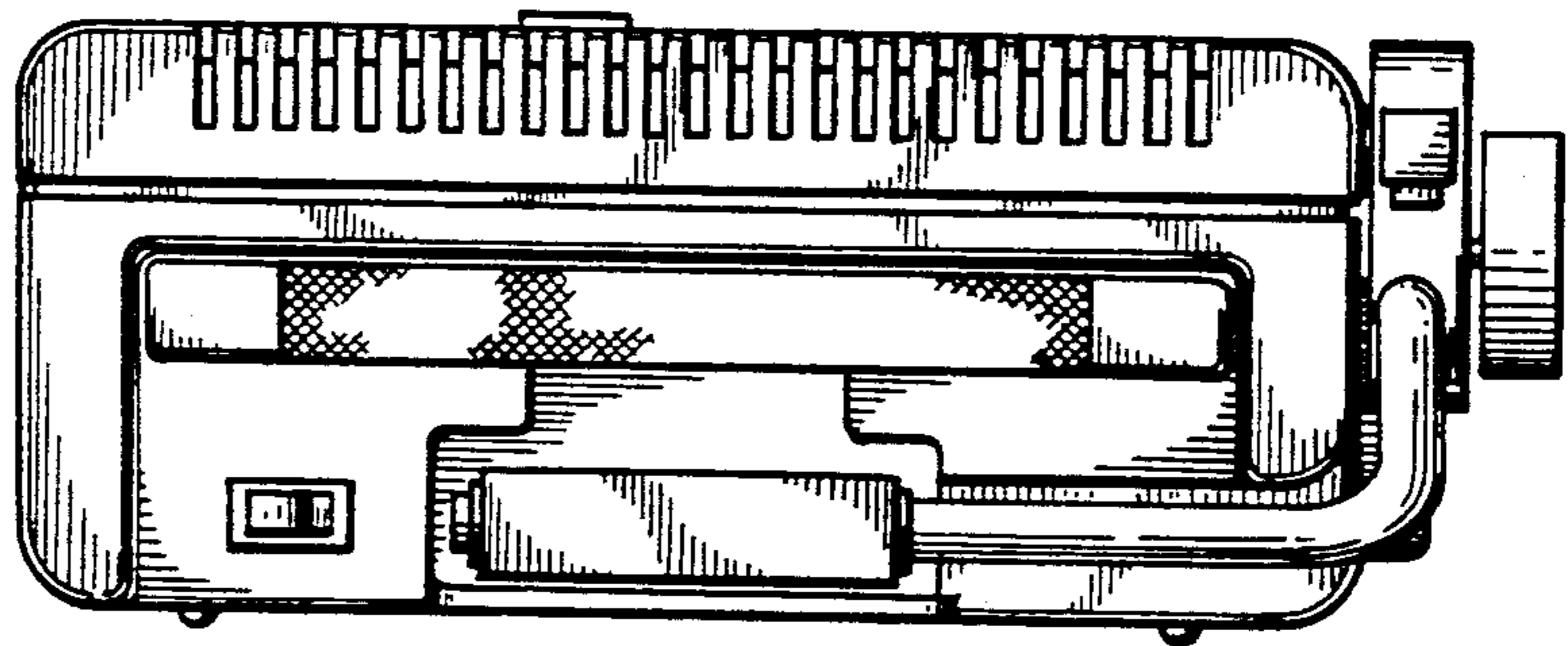
FIG. 1 is a top plan view of a foldable portable overhead projector showing my new design; FIG. 2 is a front elevational view thereof; FIG. 3 is a rear elevational view thereof; FIG. 4 is a side elevational view thereof; FIG. 5 is an opposite side elevational view of that shown in FIG. 4; FIG. 6 is a bottom plan view thereof; FIG. 7 is a top plan view of the overhead projector in an unfolded condition, taken at a reduced scale; FIG. 8 is a front elevational view thereof; FIG. 9 is a side elevational view thereof; FIG. 10 is an opposite side elevational view of that shown in FIG. 9; FIG. 11 is a rear elevational view thereof; FIG. 12 is a bottom plan view thereof; FIG. 13 is a top, front perspective view thereof, taken toward the side of FIG. 4, the overhead projector being in the condition illustrated in FIG. 1; and FIG. 14 is a top, front perspective view thereof, taken from the side of FIG. 9, the overhead projector being in the unfolded condition of FIG. 7.



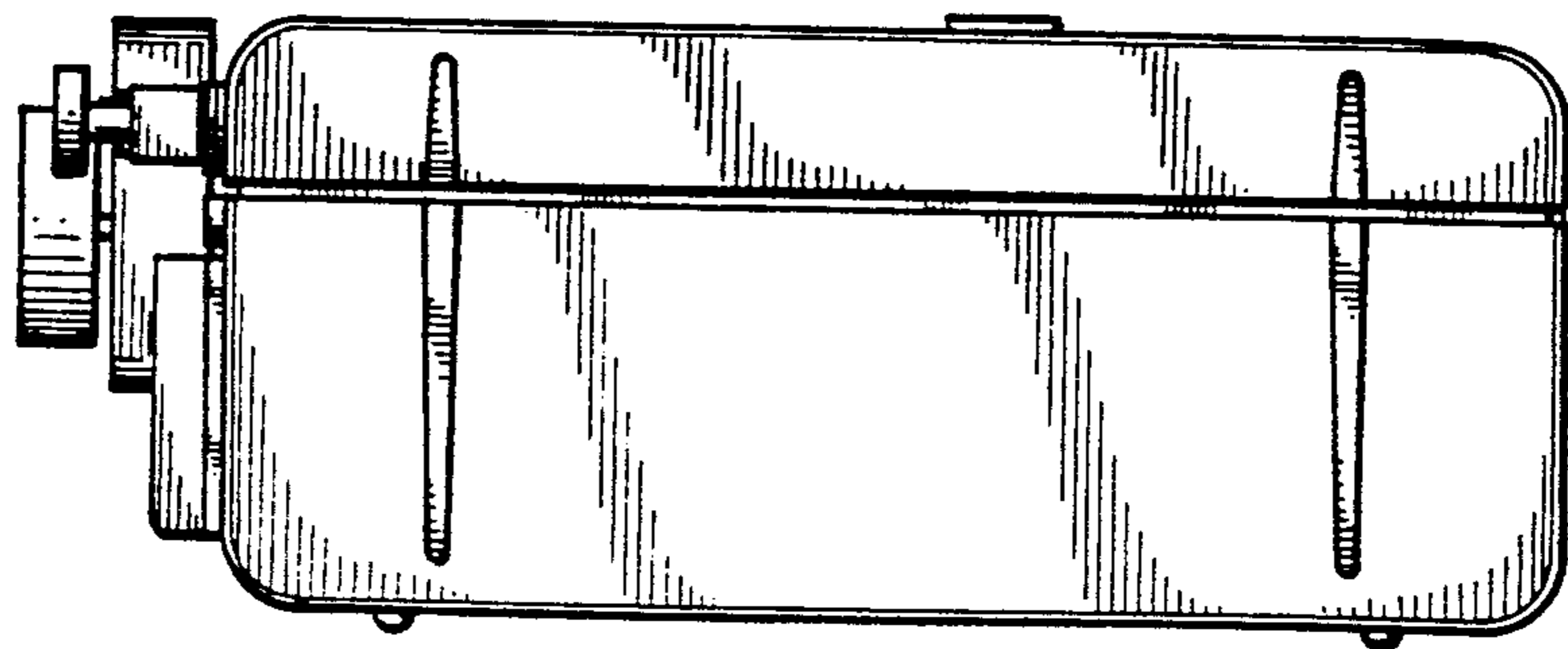
*Fig 1*



*Fig 2*

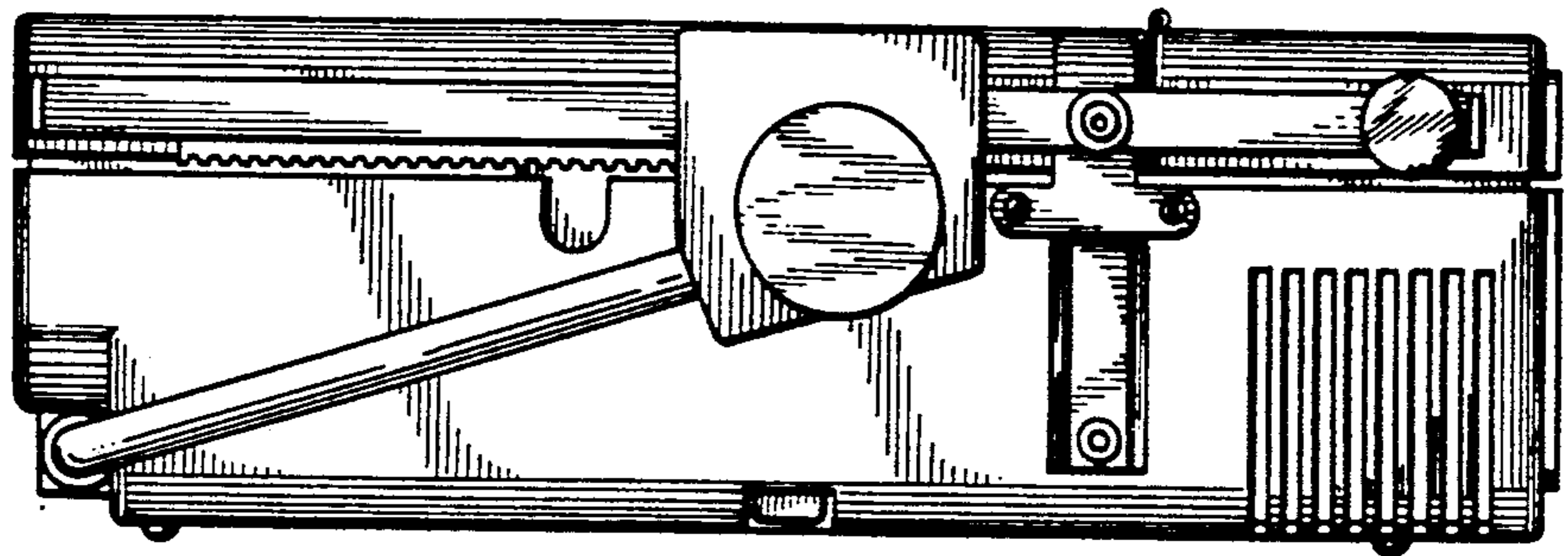


*Fig 3*

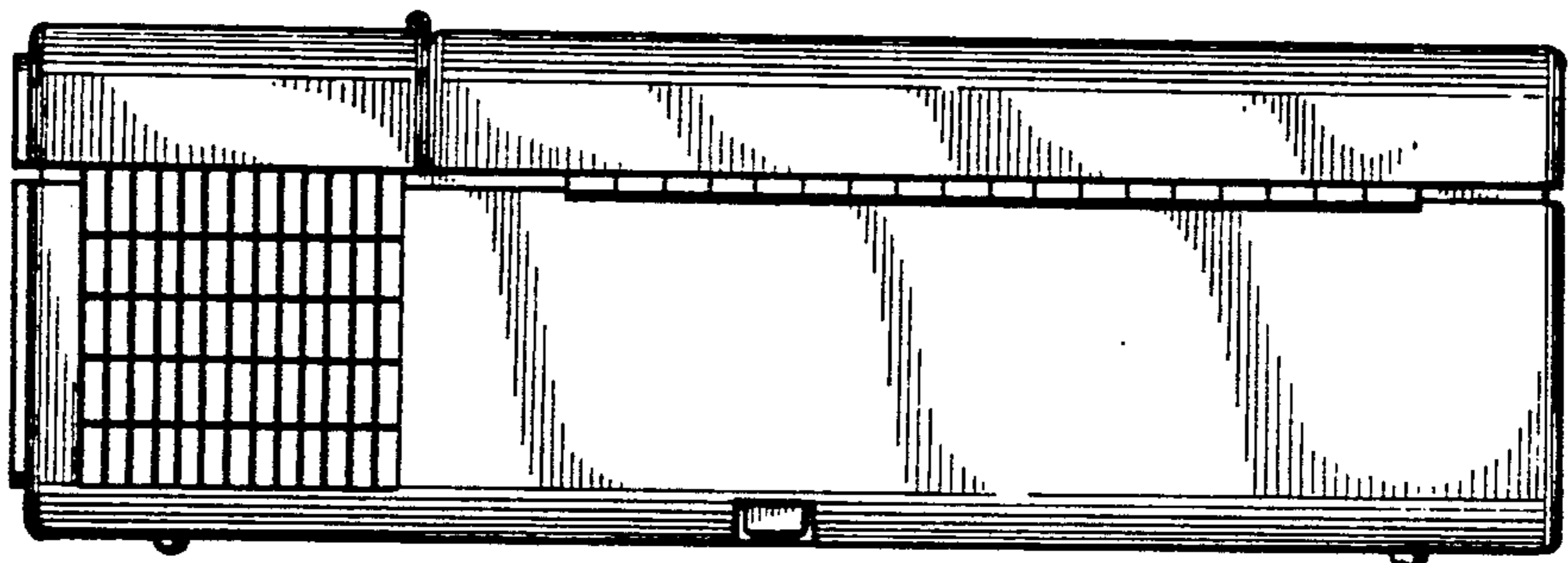




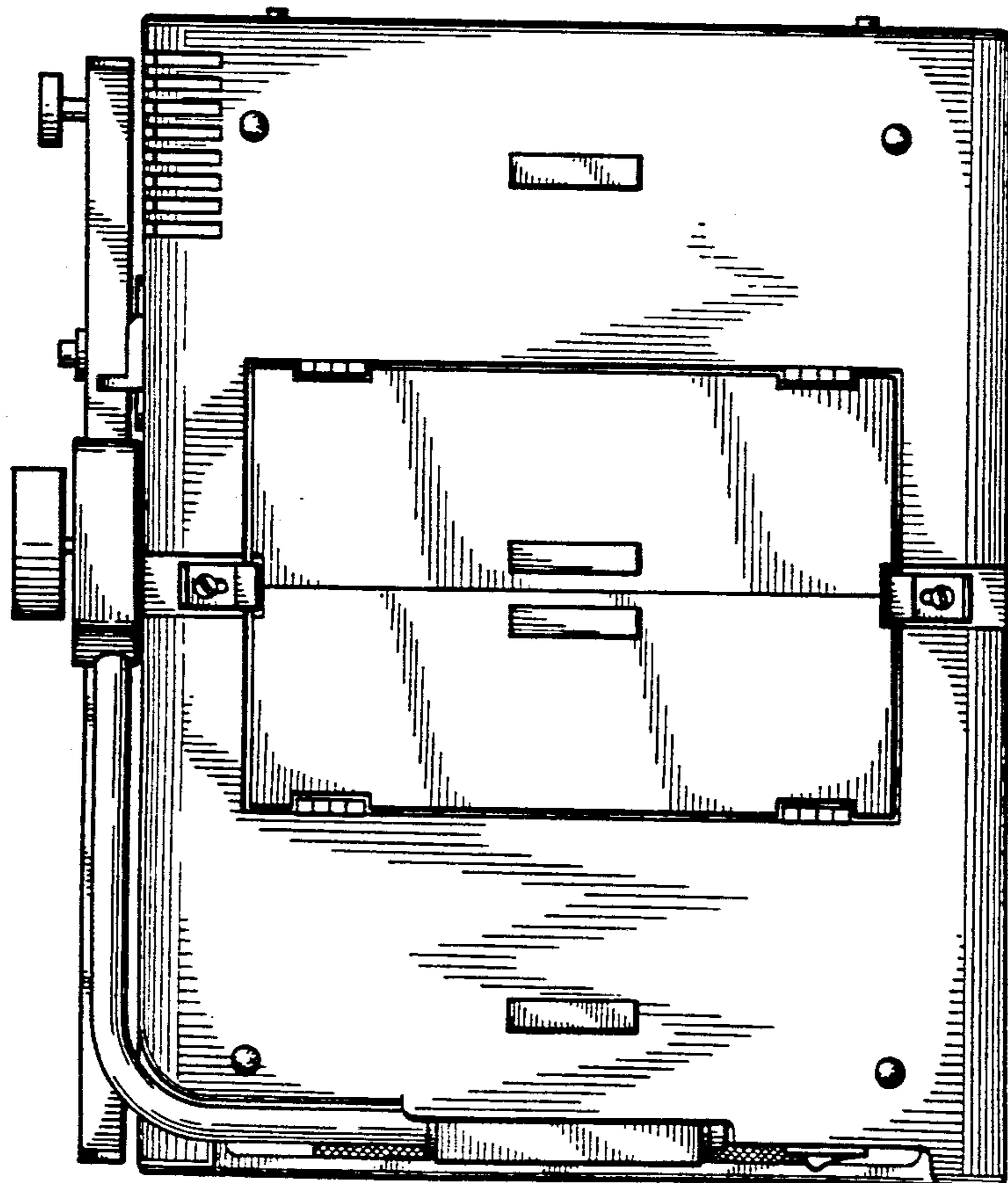
*Fig 4*



*Fig 5*



*Fig 6*



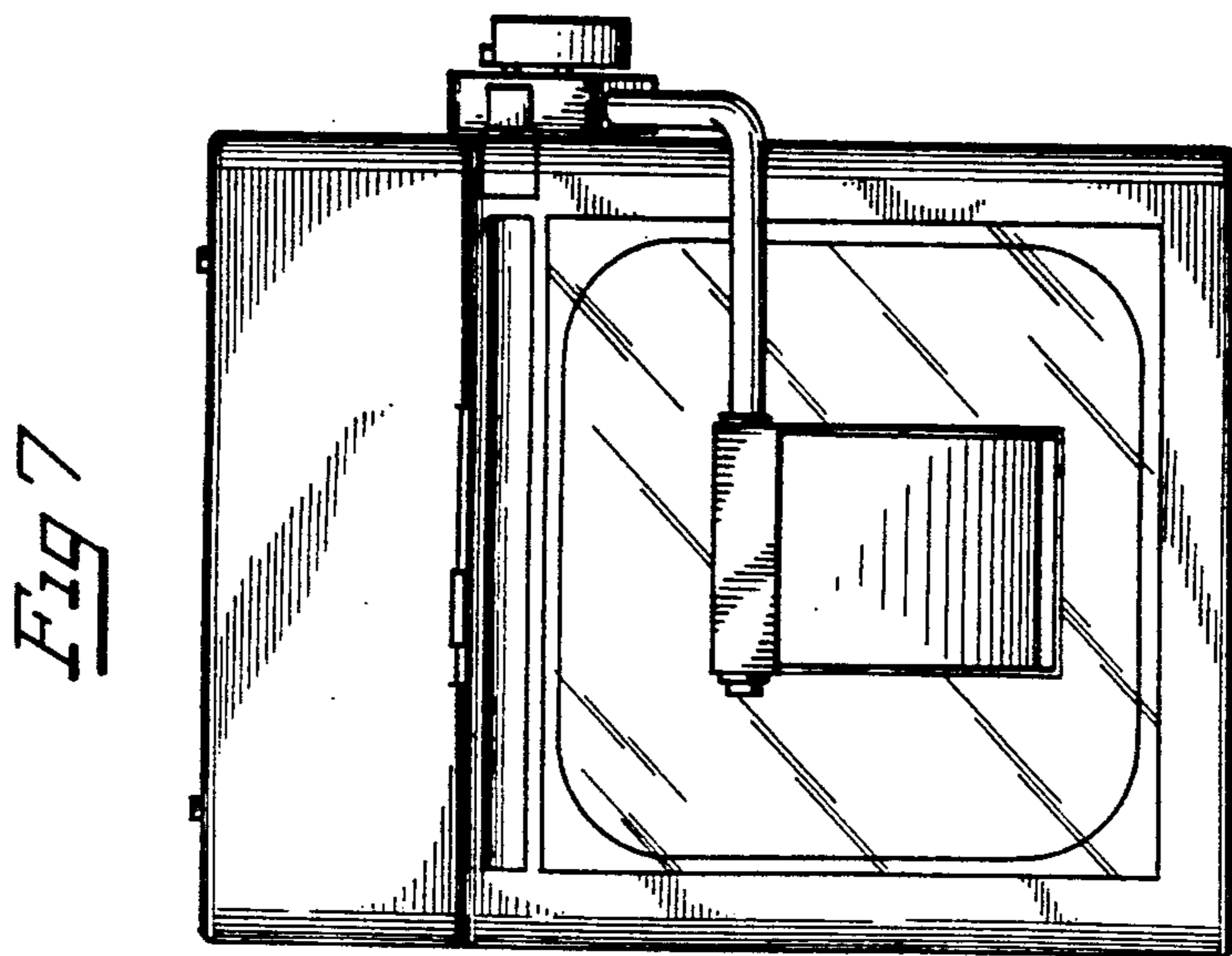
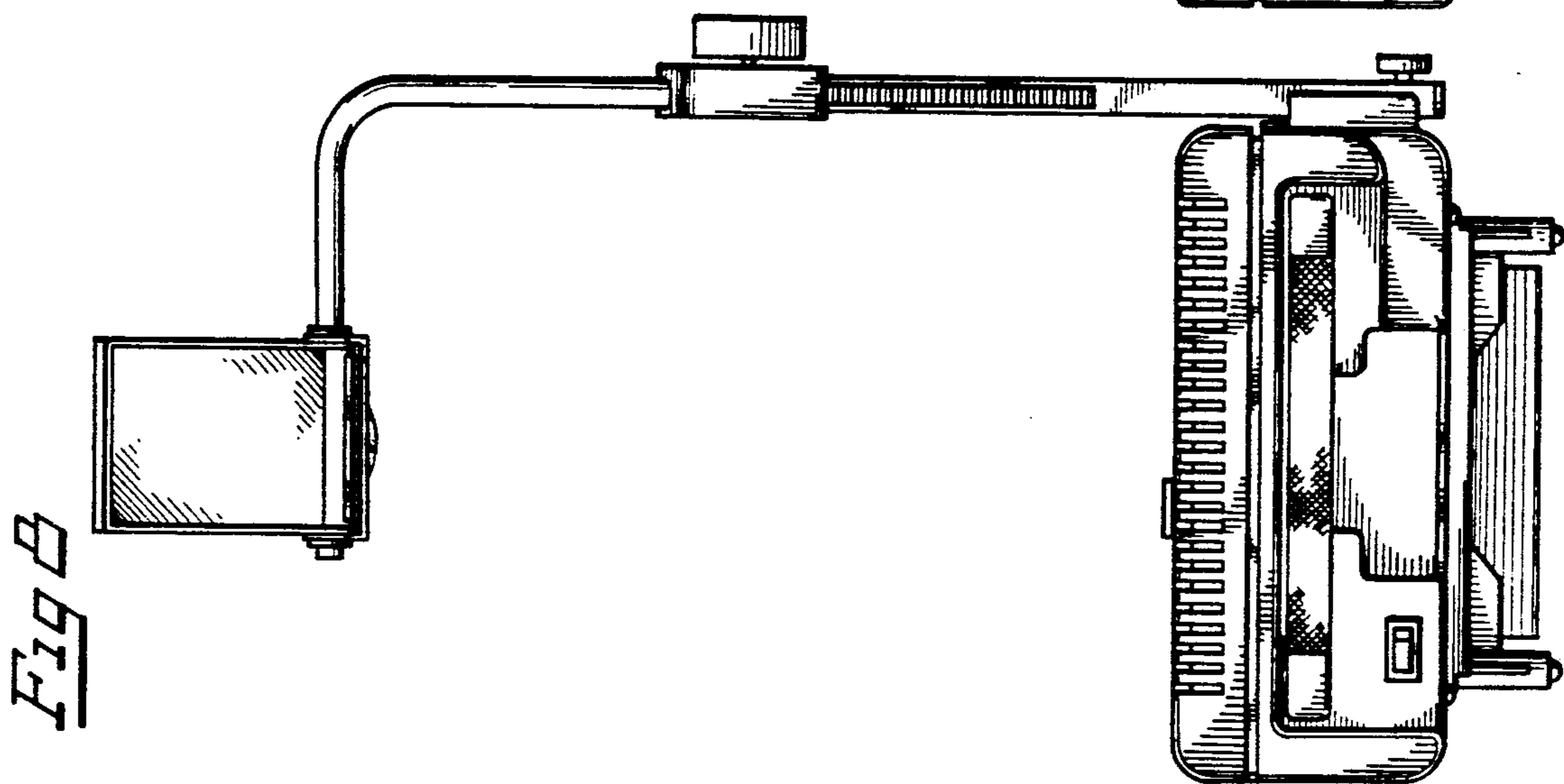
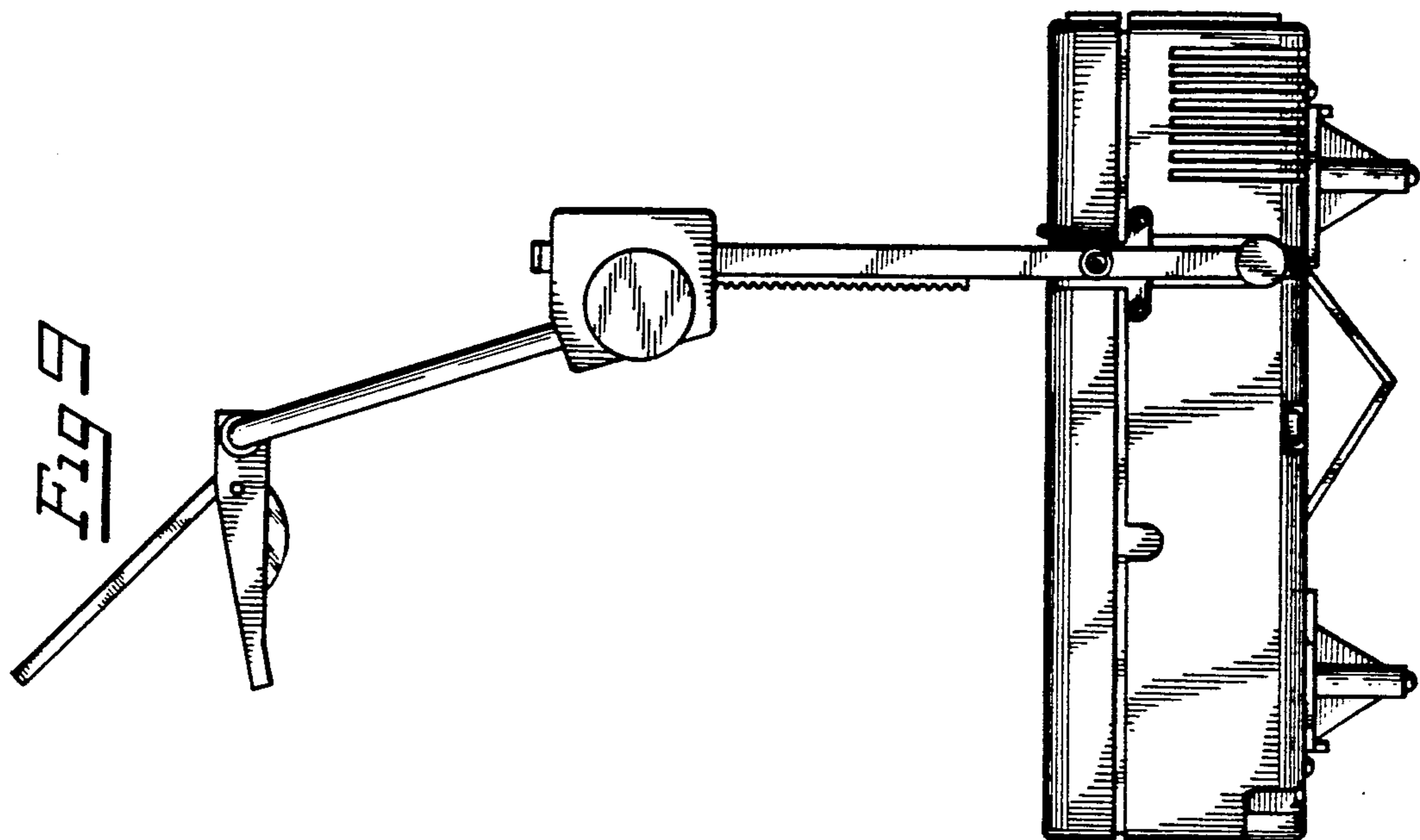


FIG 12

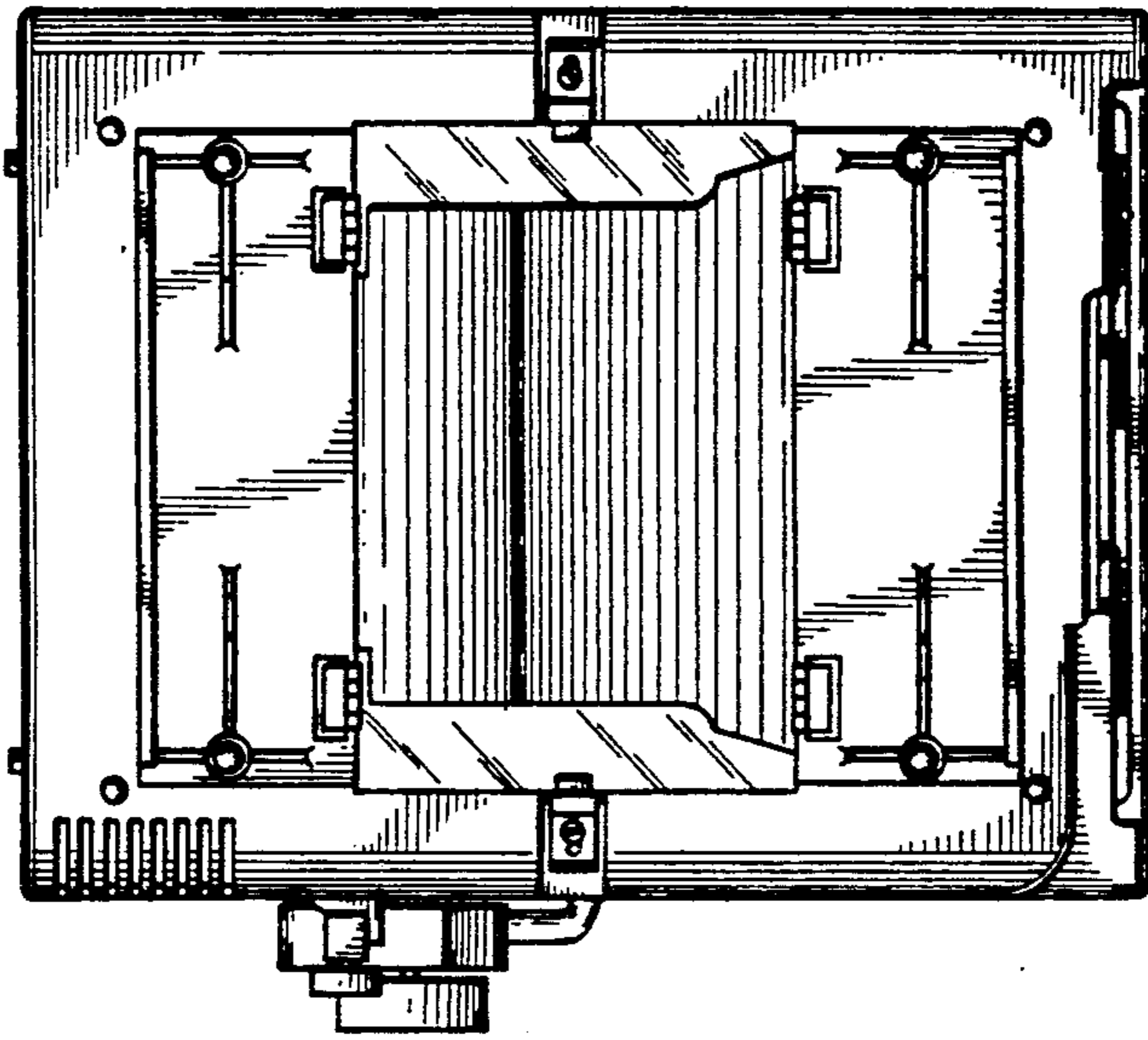


FIG 11

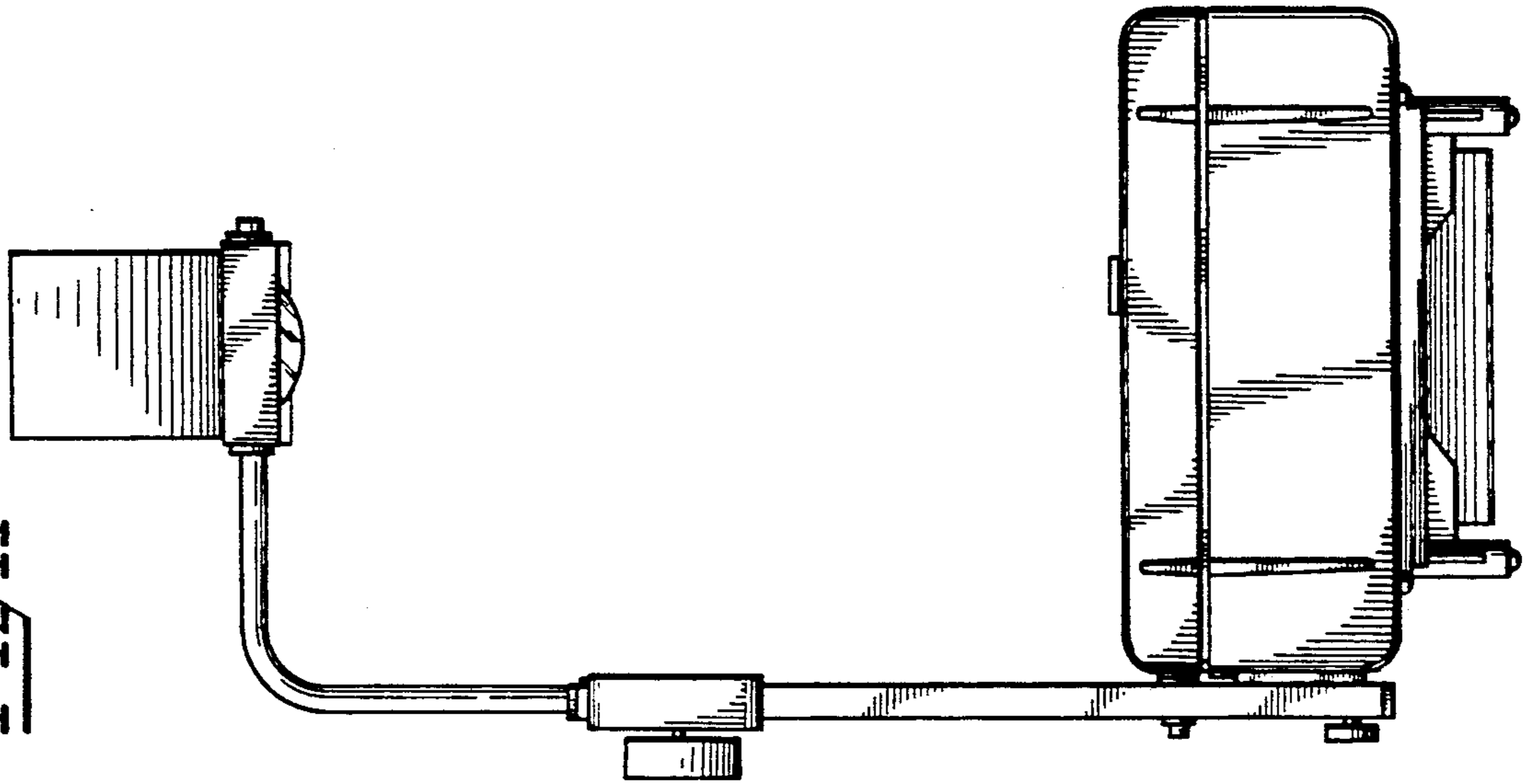


FIG 10

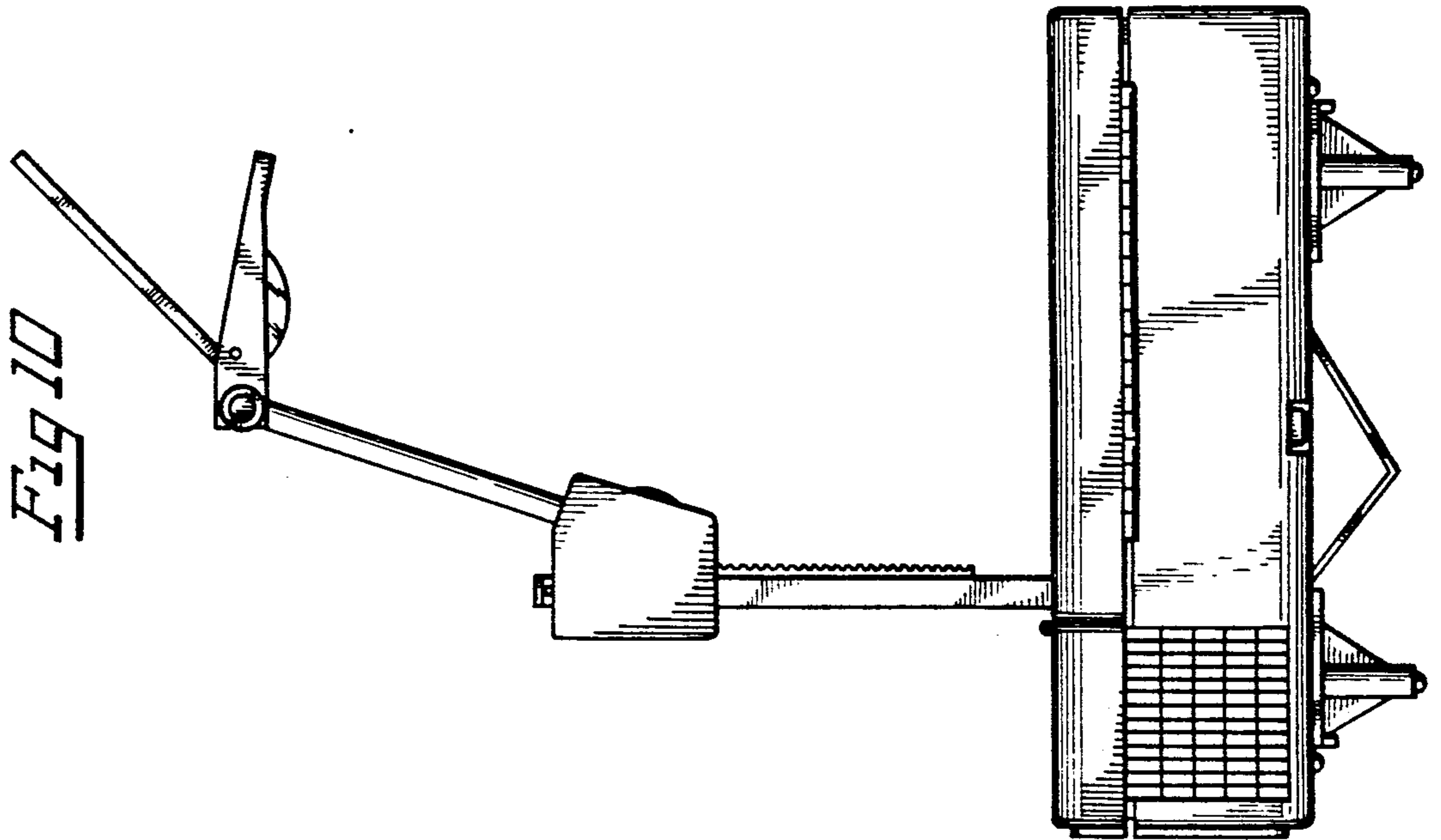




Fig 13

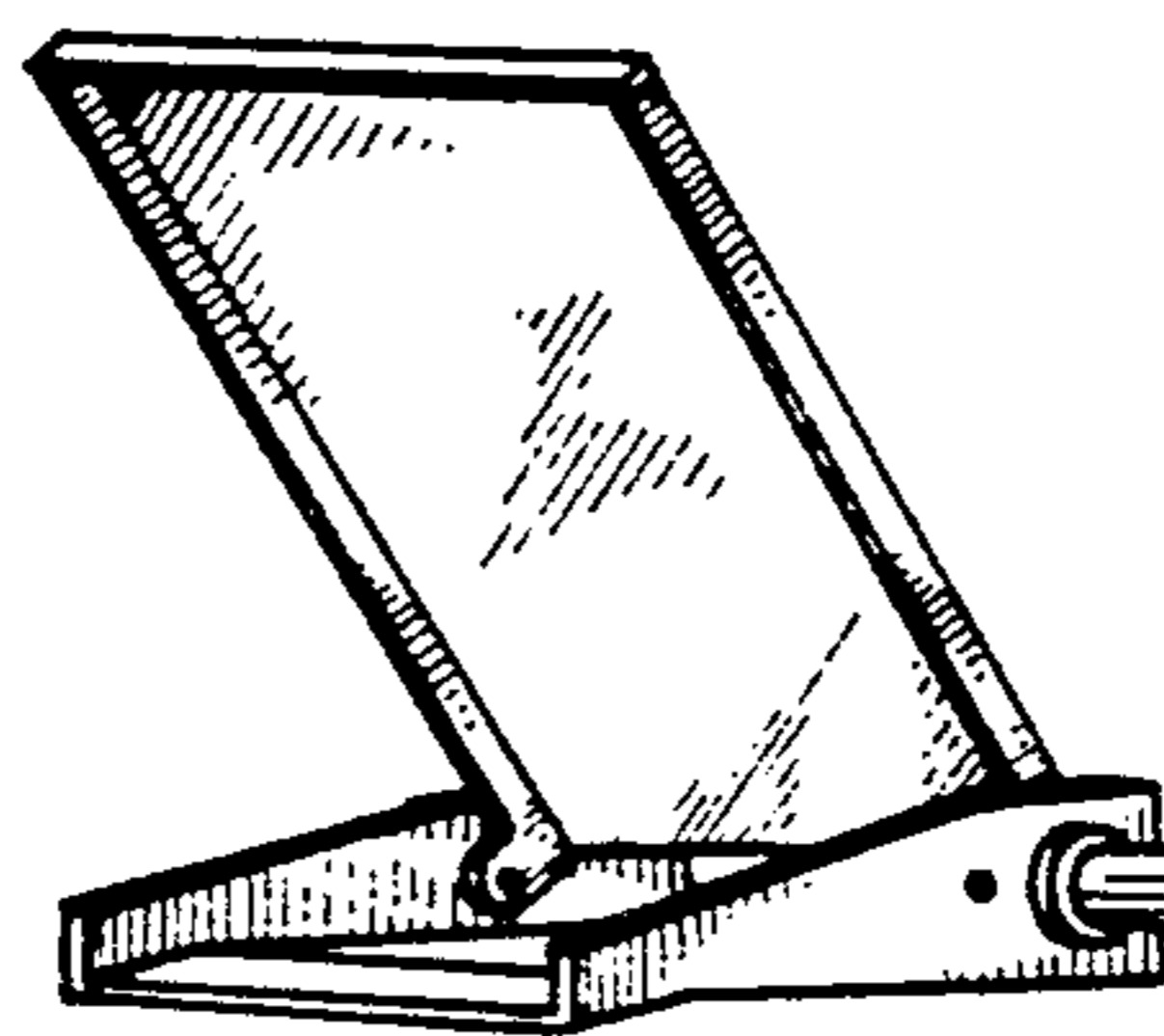
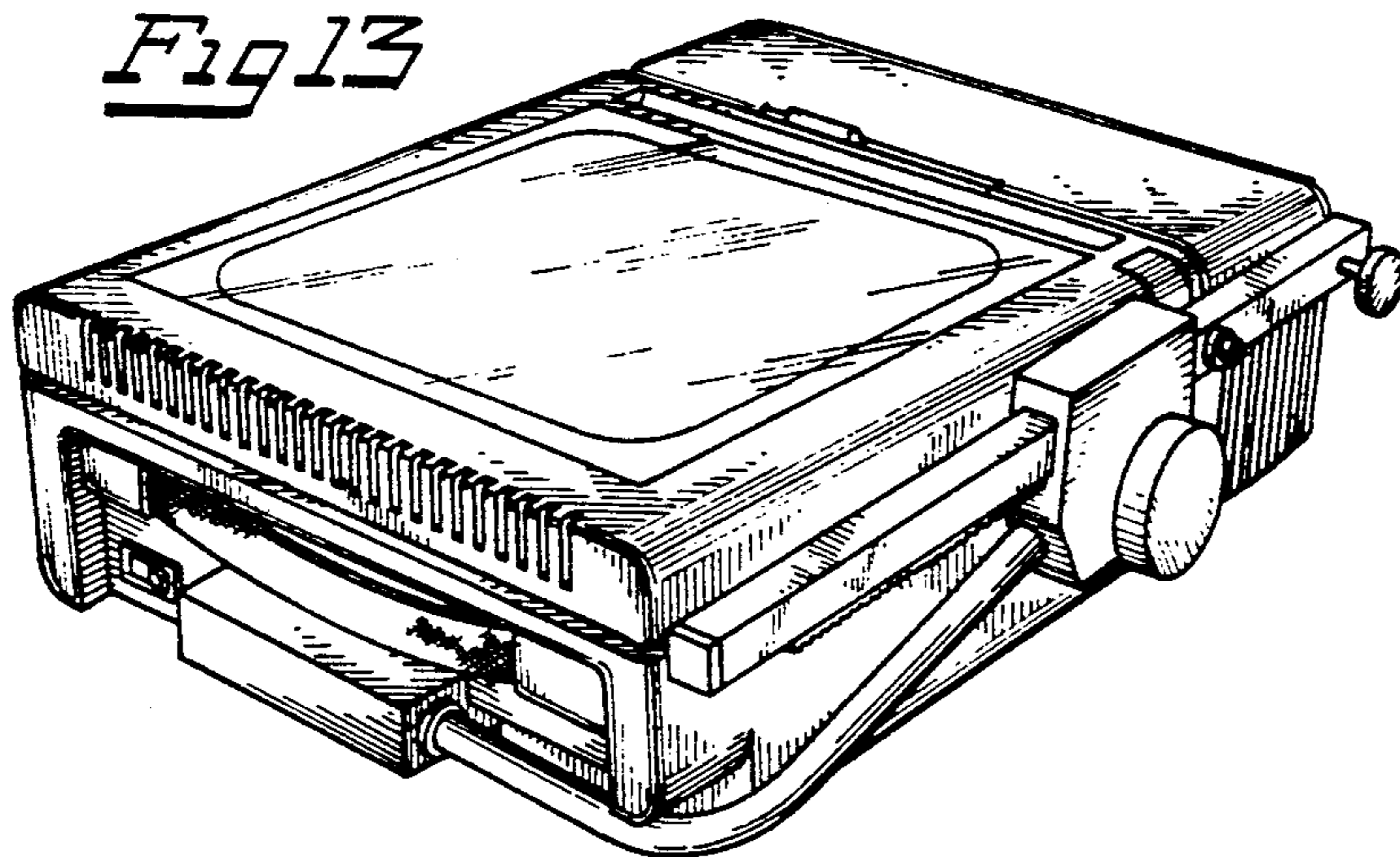


Fig 14

