

[54] **ADJUSTABLE AND FOLDABLE READING GLASSES**

[75] **Inventor: Carl Manus, Ketchum, Id.**

[73] **Assignee: Manus Optics, Ltd., Sun Valley, Id.**

[\*\*] **Term: 14 Years**

[21] **Appl. No.: 280,256**

[22] **Filed: Dec. 5, 1988**

[52] **U.S. Cl. .... D16/102; D16/103;  
D16/108**

[58] **Field of Search ..... D16/102, 101, 108, 110,  
D16/115, 116, 117, 118, 121, 445; 2/445, 446**

[56] **References Cited**

**U.S. PATENT DOCUMENTS**

D. 55,468	6/1920	Heilig .....	D16/117
D. 214,697	7/1969	Mitchell .....	D16/102
272,450	2/1883	Manning .	
1,214,187	1/1917	Krementz .....	D16/108 X
1,681,735	8/1928	King .....	D16/115 X
1,733,235	10/1929	Obrig et al. .	
1,907,749	5/1933	Dechau .....	D16/115 X
1,972,479	9/1934	Ferris .....	D16/115 X

2,076,293	4/1937	Colliander .....	D16/108 X
2,132,346	10/1938	Richards .....	D16/108 X
2,256,501	9/1941	Splaine .....	D16/115 X
4,162,542	7/1979	Frank .....	2/446 X

**FOREIGN PATENT DOCUMENTS**

26907	of 1906	United Kingdom .
1100615	1/1968	United Kingdom .

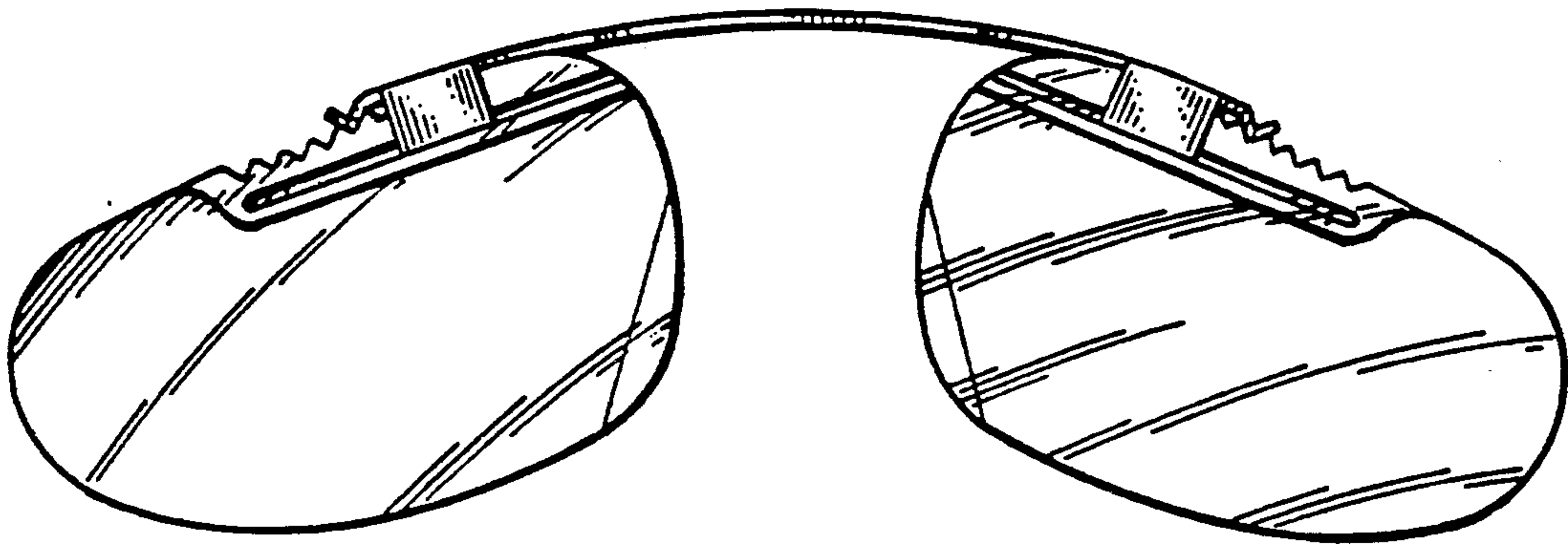
*Primary Examiner*—Bruce W. Dunkins  
*Assistant Examiner*—Monica A. Hannon  
*Attorney, Agent, or Firm*—Jenner & Block

[57] **CLAIM**

The ornamental design for adjustable and foldable reading glasses, as shown and described.

**DESCRIPTION**

FIG. 1 is a front perspective view of adjustable and foldable reading glasses showing my new design; FIG. 2 is a top plan view thereof; FIG. 3 is a rear elevational view thereof; FIG. 4 is a bottom plan view thereof; FIG. 5 is a side elevational view, the opposite side being a mirror image thereof; and FIG. 6 is a front perspective view of the eyeglasses in a folded position thereof.



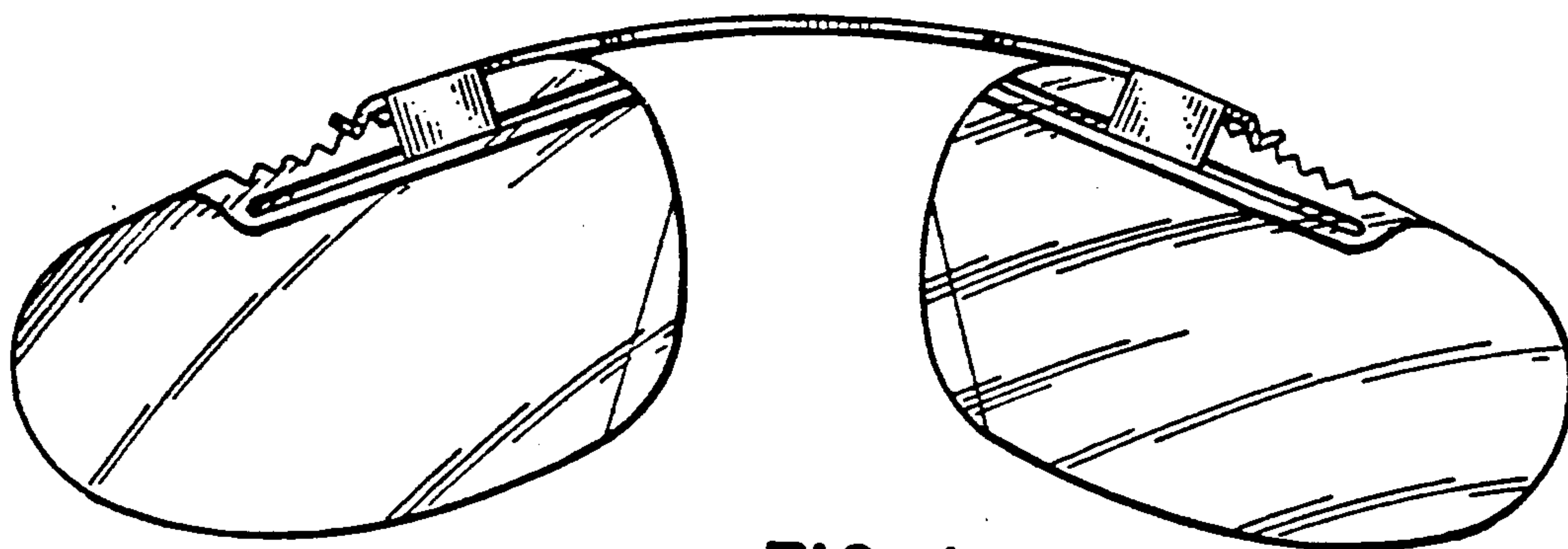


FIG. 1

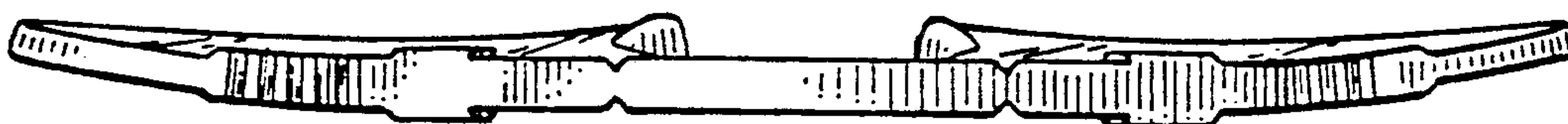


FIG. 2

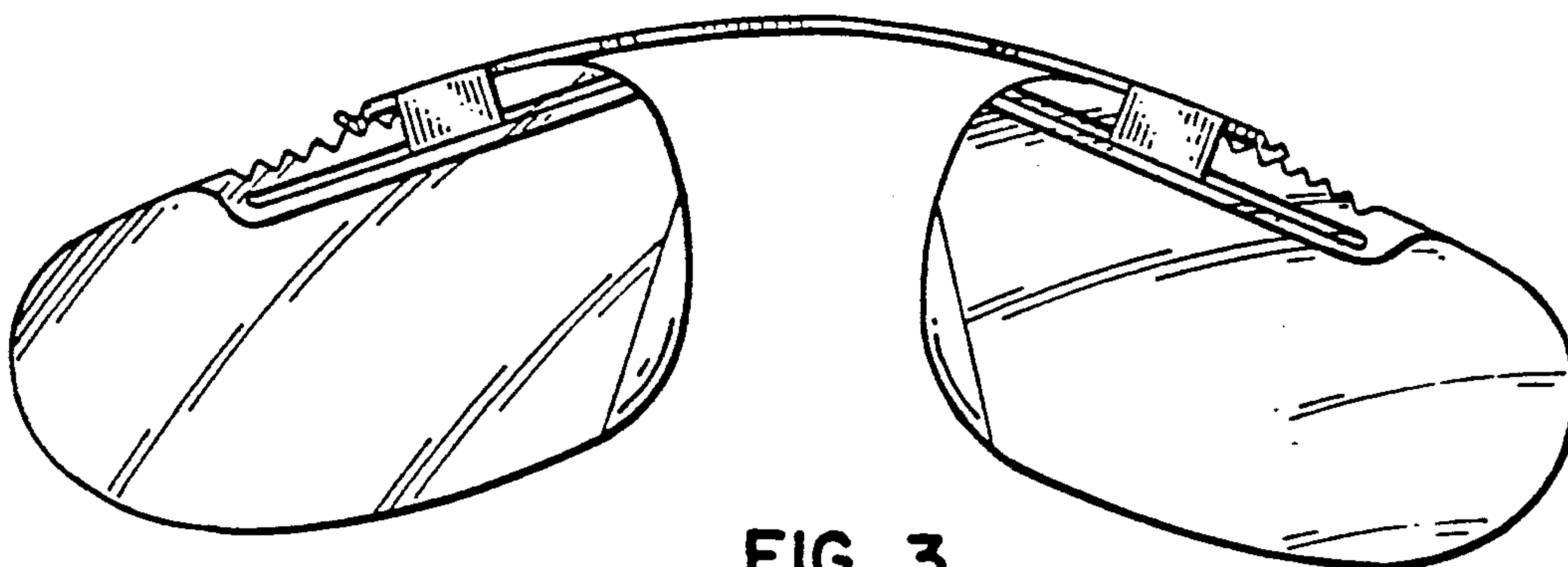


FIG. 3



FIG. 4



FIG. 5

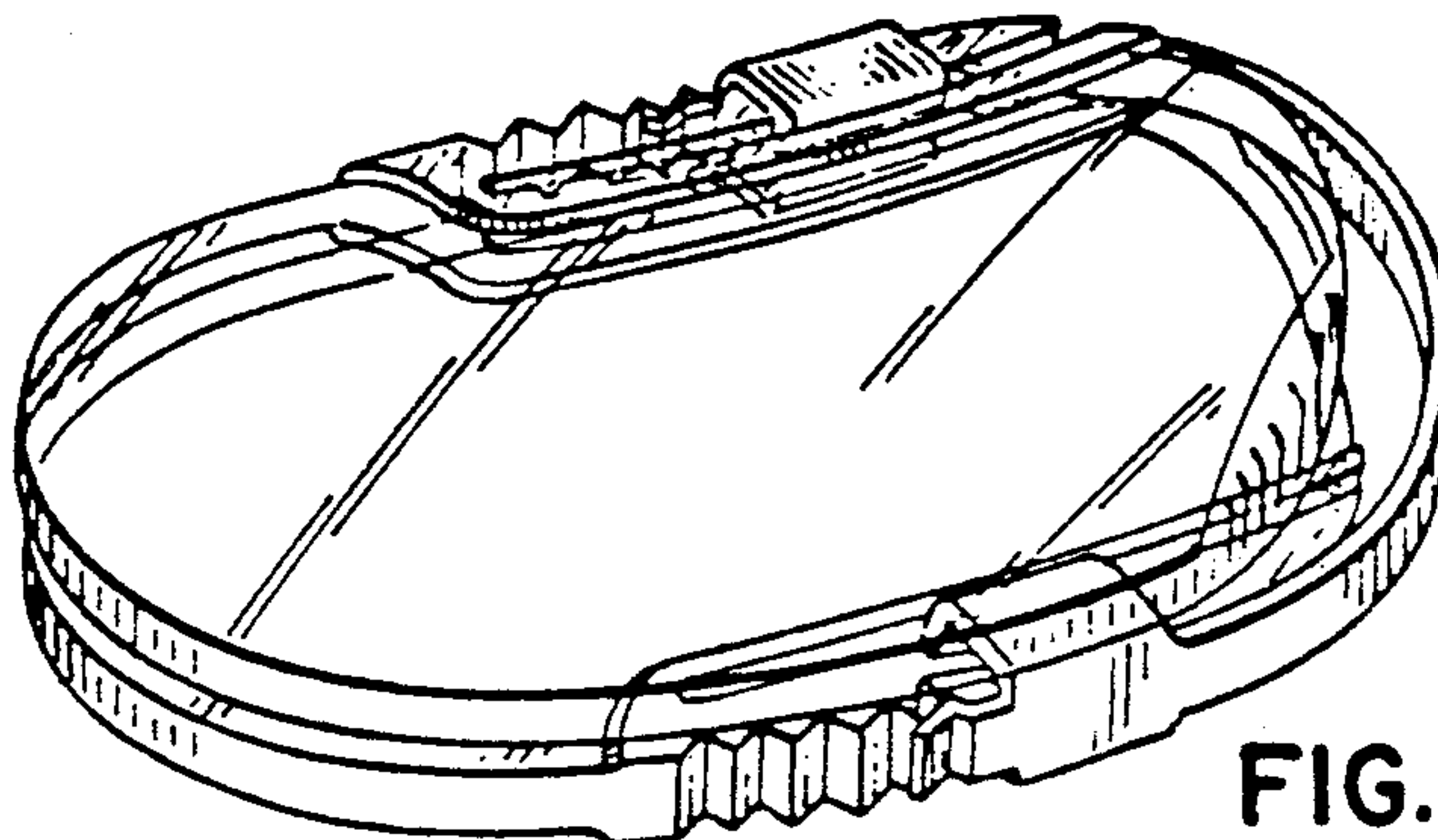


FIG. 6