

**United States Patent** [19]  
**Porter**

[11] **Patent Number: Des. 322,261**  
[45] **Date of Patent: \*\* Dec. 10, 1991**

[54] **UNIVERSAL GREASE FITTING**

[76] **Inventor: Roger S. Porter, 409 Melody Cir., Swannanoa, N.C. 28778**

[\*\*] **Term: 14 Years**

[21] **Appl. No.: 304,406**

[22] **Filed: Jan. 31, 1989**

[52] **U.S. Cl. .... D15/150**

[58] **Field of Search ..... D15/150, 151, 152, 199; 137/539; 184/105.1, 105.2, 105.3**

1,946,064 2/1934 Creveling ..... D15/150 X  
2,025,229 12/1935 Dodge ..... 184/105.3  
2,797,703 7/1957 Edwards ..... 184/105.3 X

*Primary Examiner*—Bruce W. Dunkins  
*Assistant Examiner*—Antoine D. Davis  
*Attorney, Agent, or Firm*—Leon Gilden

[57] **CLAIM**

The ornamental design for a universal grease fitting, as shown and described.

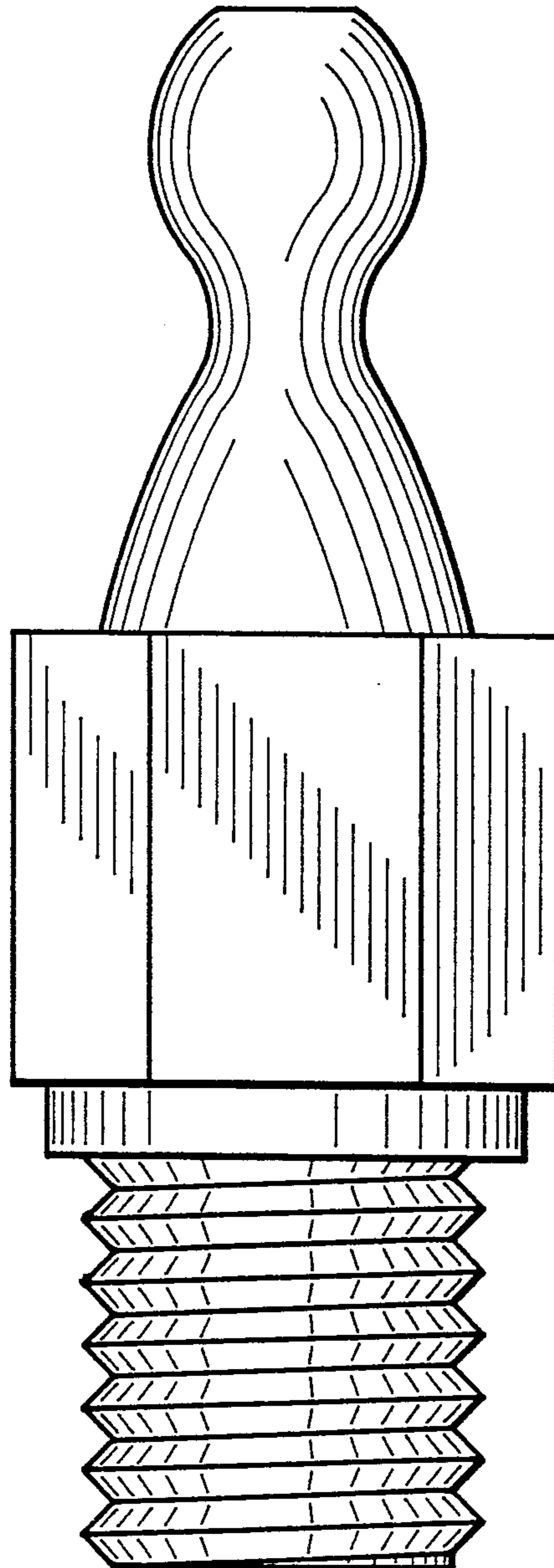
**DESCRIPTION**

FIG. 1 is a front elevational view of a universal grease fitting showing my new design; FIG. 2 is a top plan view; and FIG. 3 is a bottom plan view thereof.

[56] **References Cited**

**U.S. PATENT DOCUMENTS**

D. 287,501 12/1986 Davis ..... D15/150



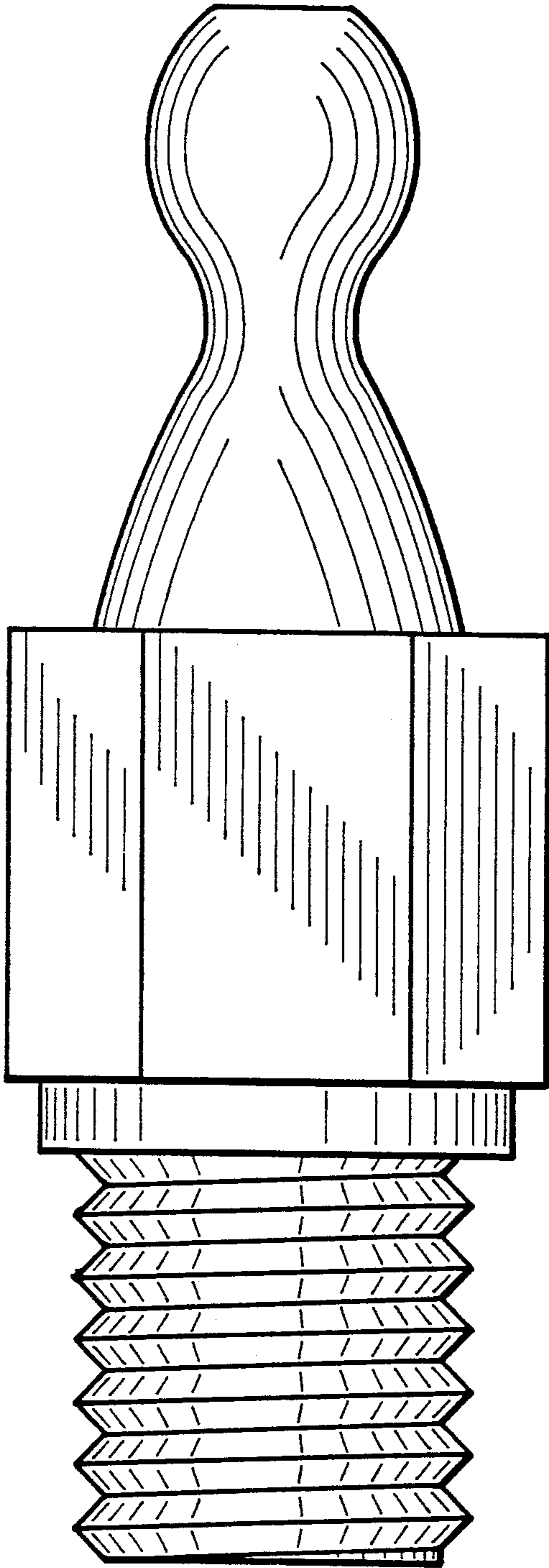


Fig. 1

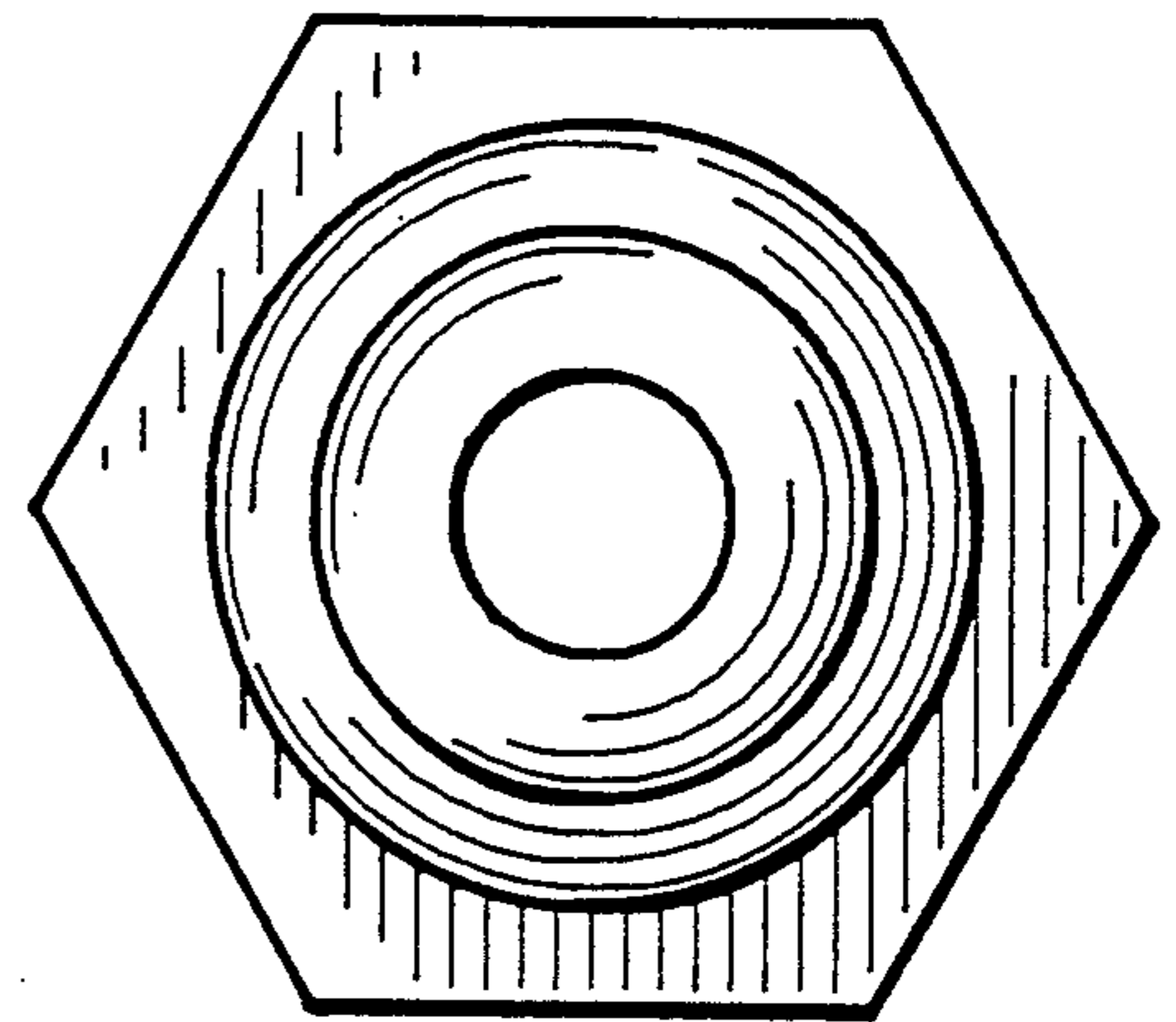


Fig. 2

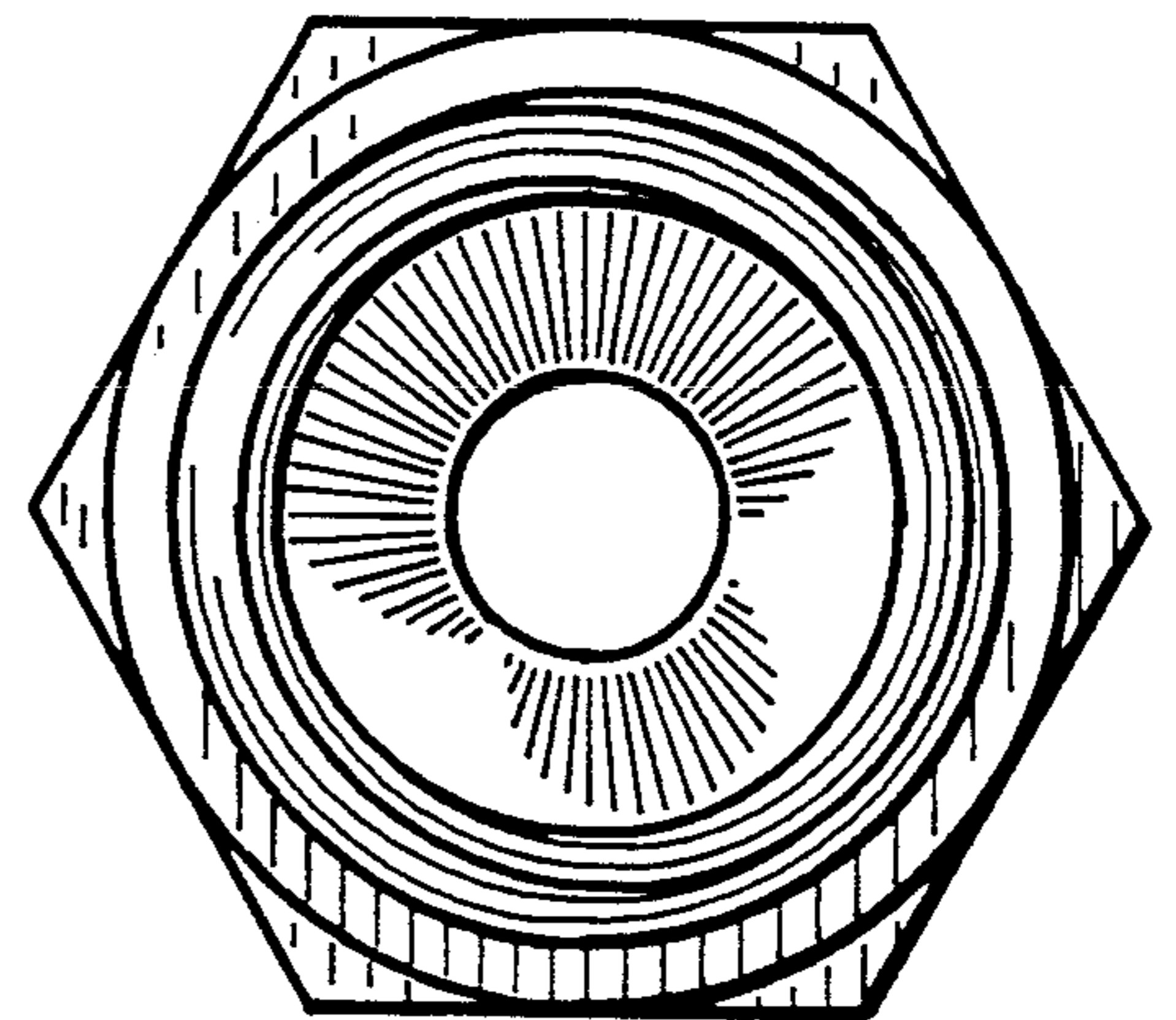


Fig. 3