

[54] **DIE HOLDDOWN CLAMP**

[76] **Inventor:** Albert C. Quandt, Rte. 7, Box 100,
 Grand Island, Nebr. 68803

[**] **Term:** 14 Years

[21] **Appl. No.:** 307,398

[22] **Filed:** Feb. 8, 1989

[52] **U.S. Cl.** D15/140; D8/71;
 D15/135

[58] **Field of Search** D15/140, 138, 199, 122,
 D15/126, 135, 136, 137; D8/70, 71, 72; 269/93,
 94

[56] **References Cited**

U.S. PATENT DOCUMENTS

893,754	7/1908	Russell	269/93
1,346,504	7/1920	Mathison	269/93
1,995,206	3/1935	Geissbühler	269/94
2,365,079	12/1944	Huber	269/93 X
2,619,010	11/1952	Mathison	269/93
2,672,790	3/1954	Carroll	269/93
3,210,069	10/1965	Holtz	269/94
3,227,438	1/1966	Sequin	269/94
3,436,072	4/1969	Svenson	269/94
4,120,490	10/1978	Carossiso	269/94
4,432,538	2/1984	Sequin	269/93 X
4,470,586	9/1984	Spencer	269/93

OTHER PUBLICATIONS

Insta-Clamp Co., ©1956.
 Carr Lane Mfg. Co., "Forged Adjustable Clamps", p. 65.
 Popular Science, Nov. 1988, p. 112, "What's New TOOLS", See saw Clamp.

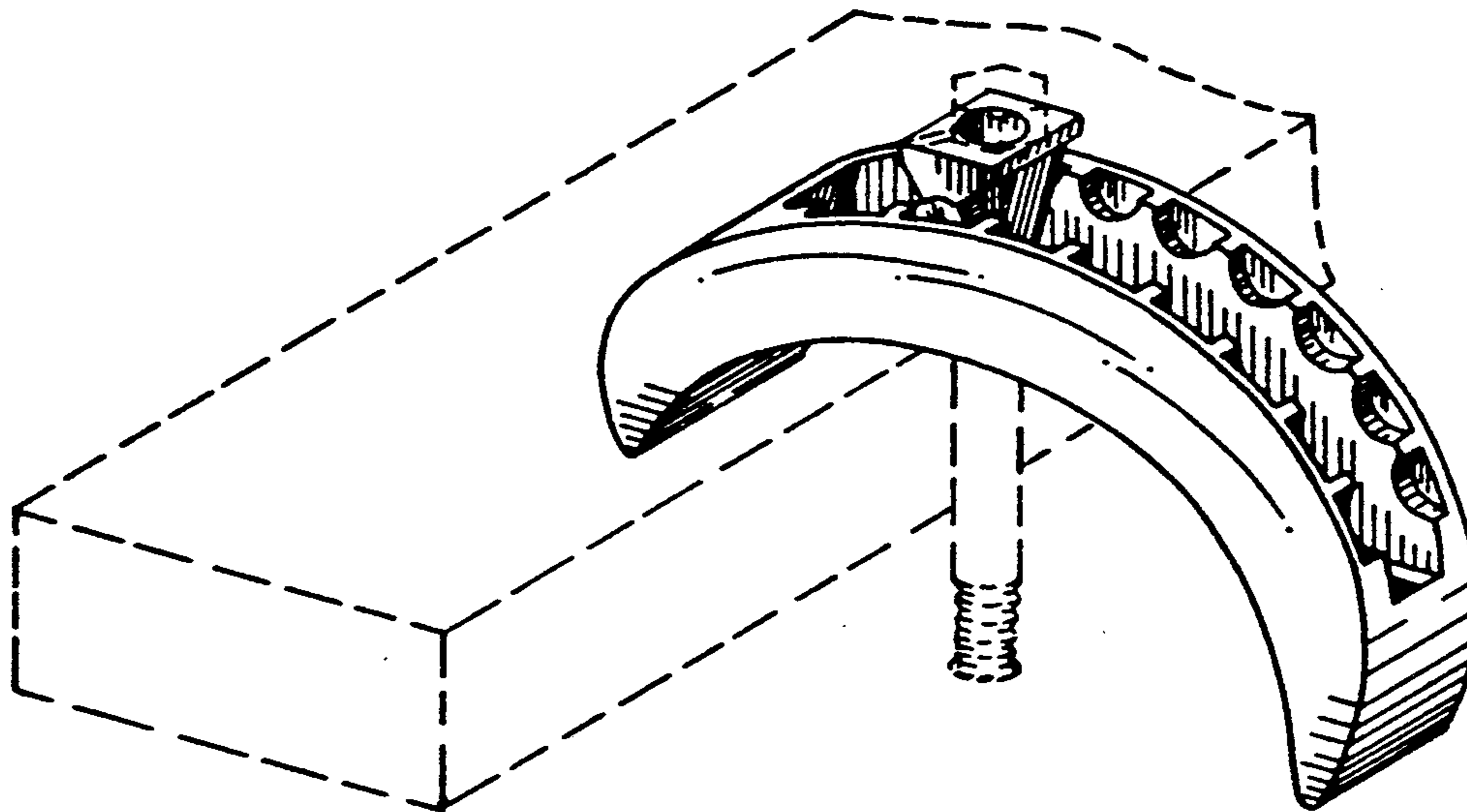
Primary Examiner—Bruce W. Dunkins
Assistant Examiner—Jeffrey Asch
Attorney, Agent, or Firm—Henderson & Sturm

[57] **CLAIM**

The ornamental design for a die holddown clamp, as shown and described.

DESCRIPTION

FIG. 1 is a left side perspective view of a die holddown clamp showing my new design, the broken line showing of a workpiece and bolt being for illustrative purposes only;
 FIG. 2 is a right side perspective view wherein the adjustable swivel bracket has been moved to an alternate position;
 FIG. 3 is a left side elevational view wherein the adjustable swivel bracket has been moved to an alternate position;
 FIG. 4 is a top plan view thereof;
 FIG. 5 is a bottom plan view thereof;
 FIG. 6 is a right side elevational view thereof;
 FIG. 7 is a front elevational view thereof; and
 FIG. 8 is a rear elevational view thereof.



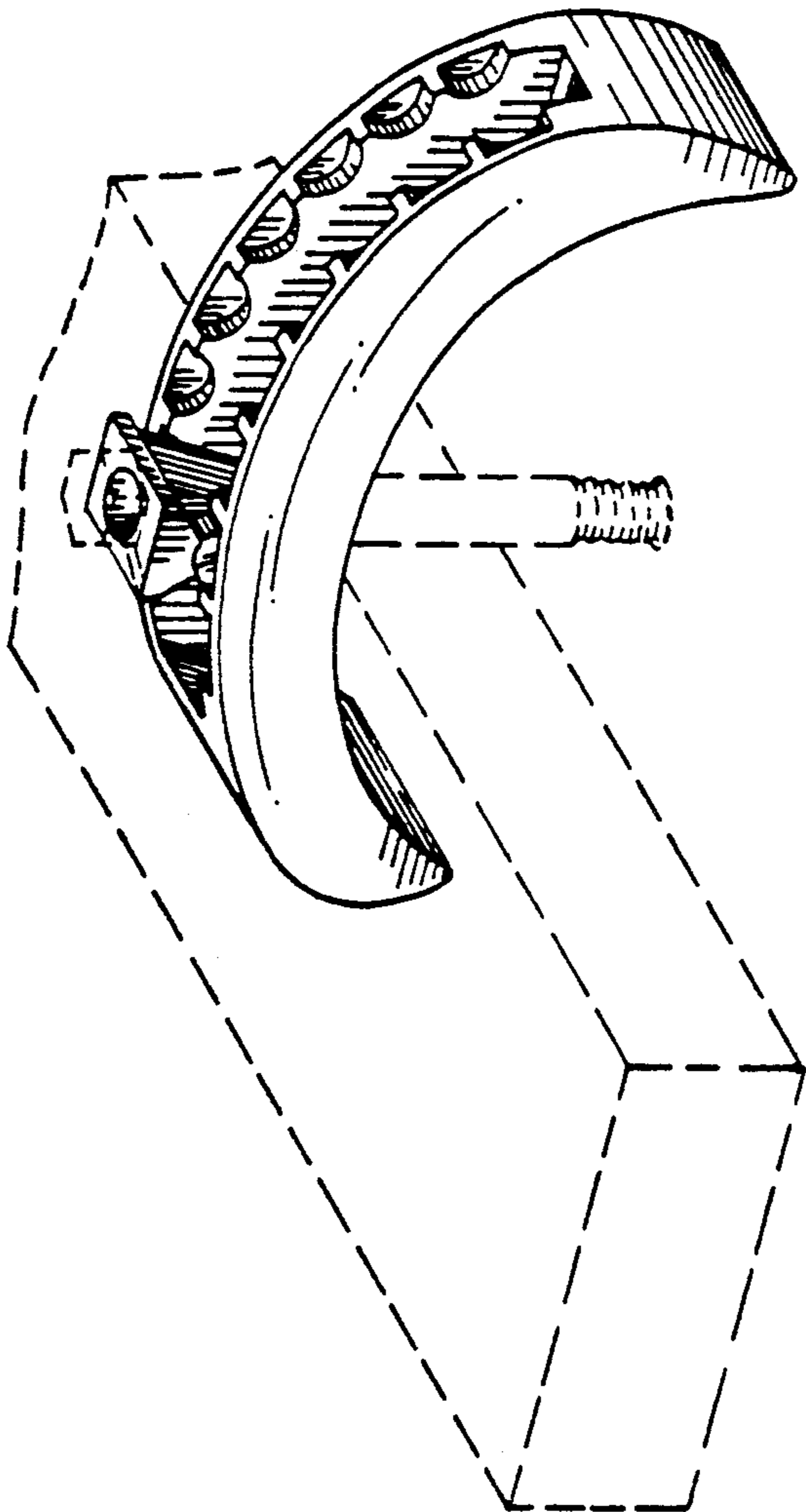


Fig. 1

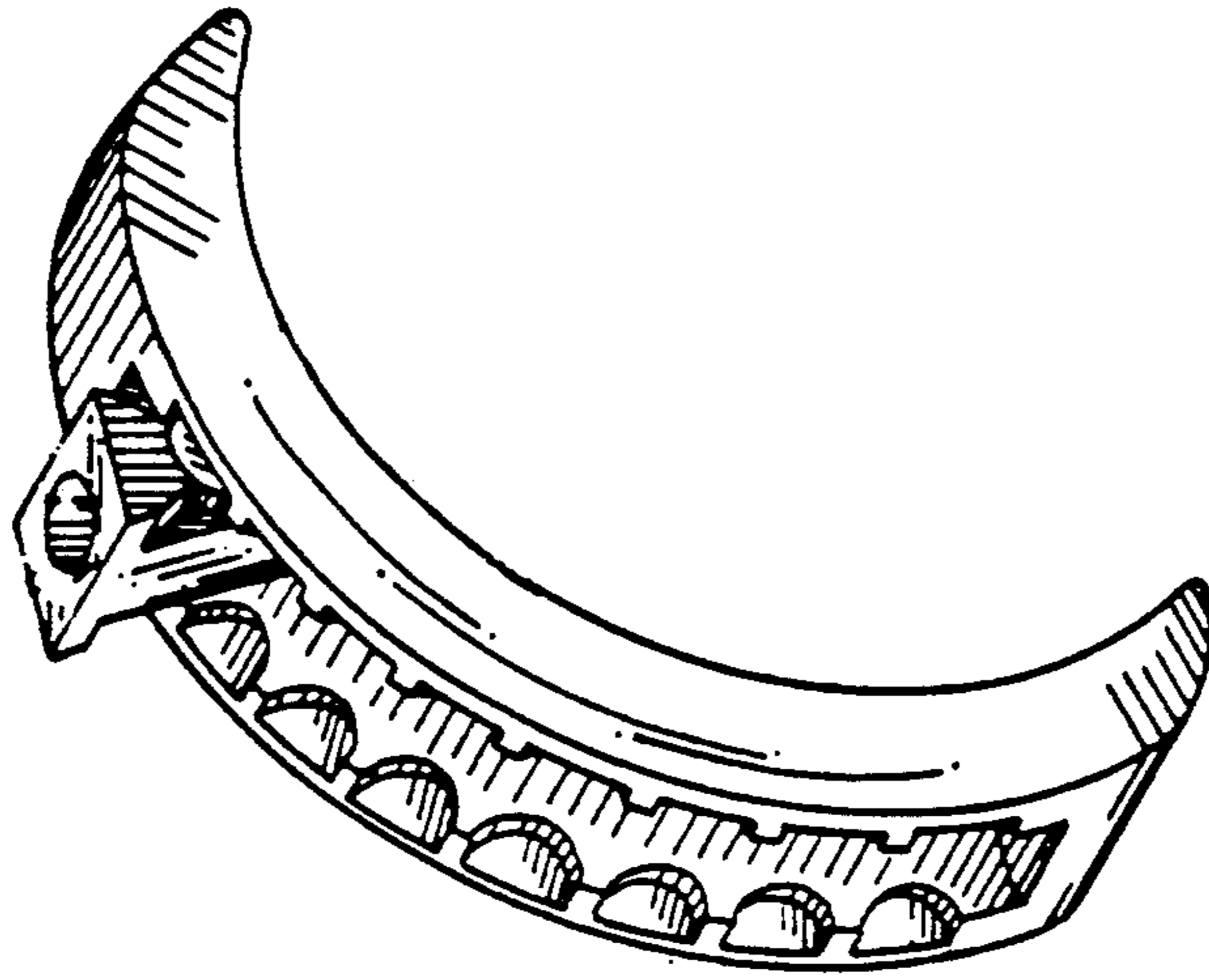


Fig. 2

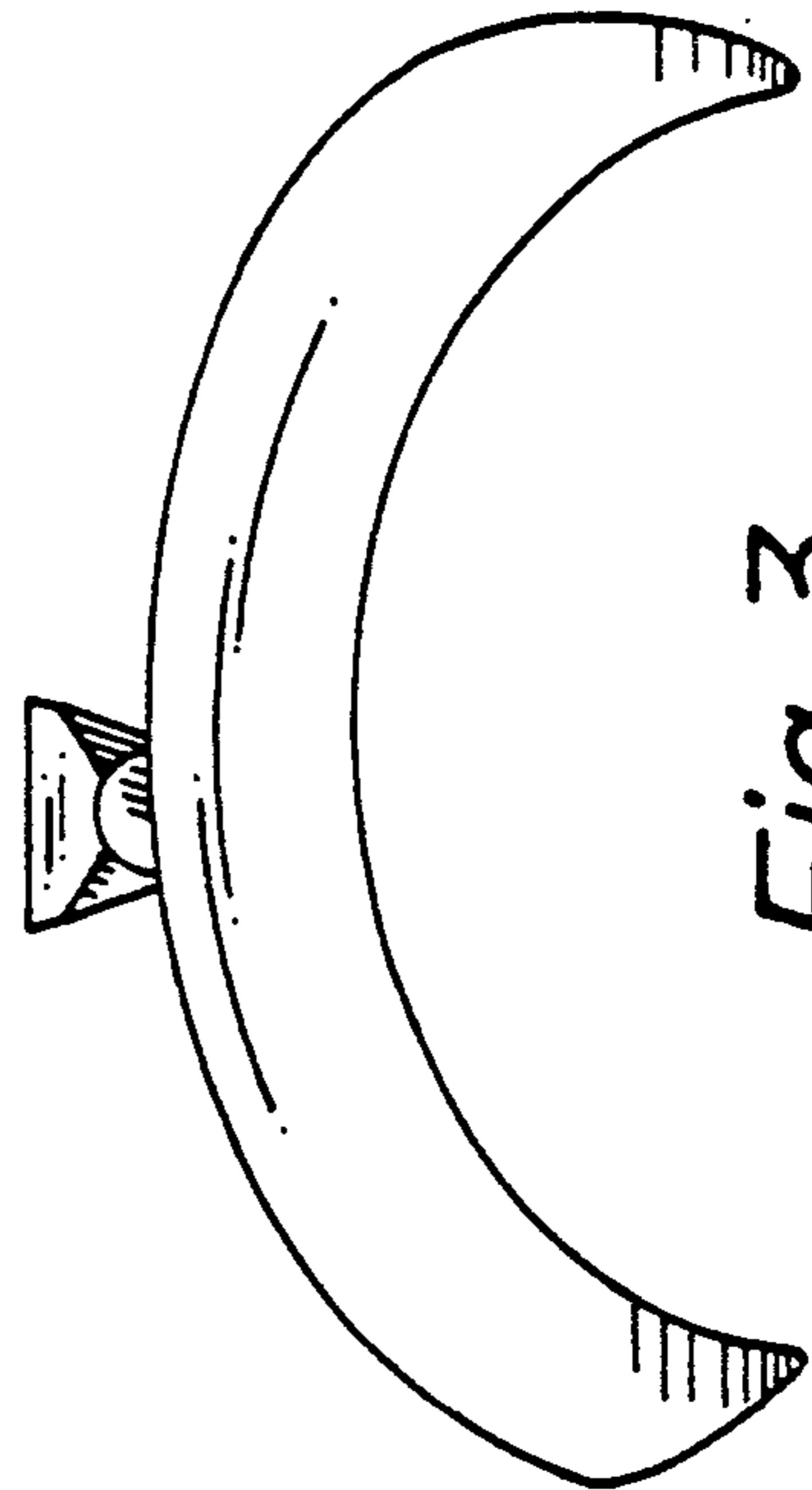


Fig. 3

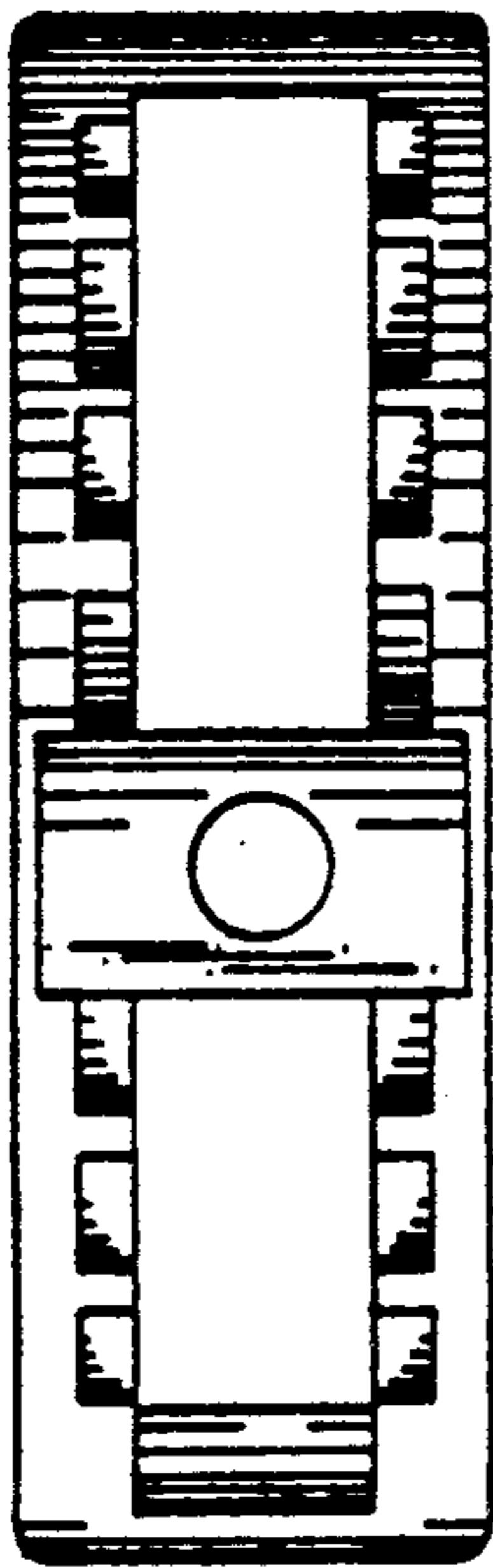


Fig. 4

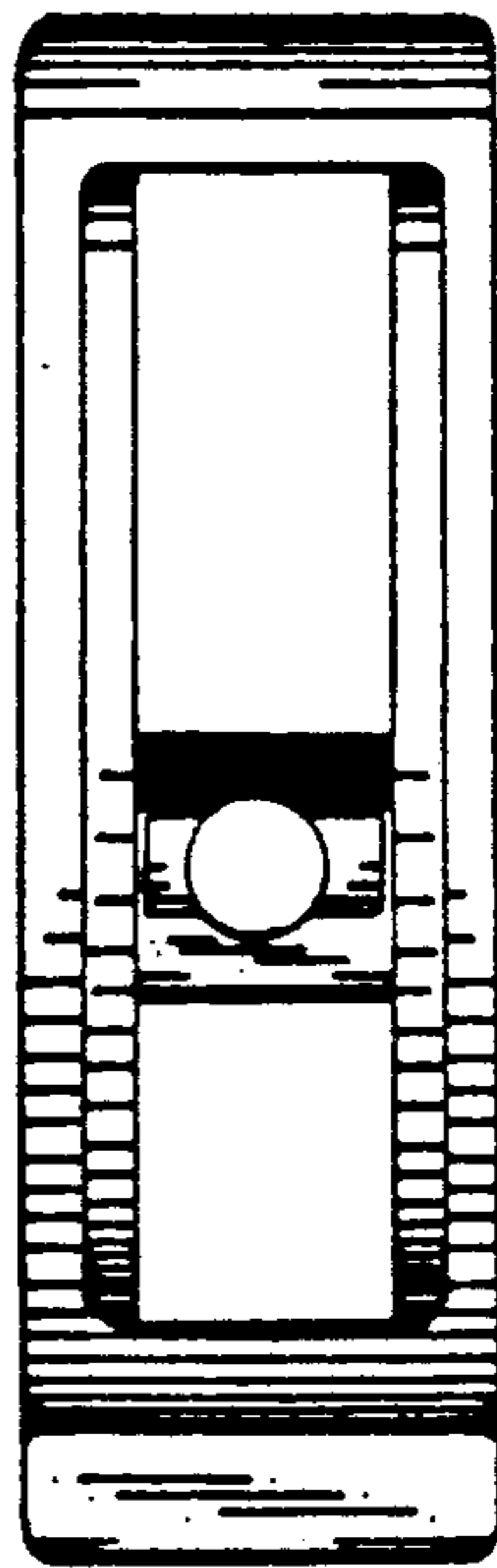


Fig. 5

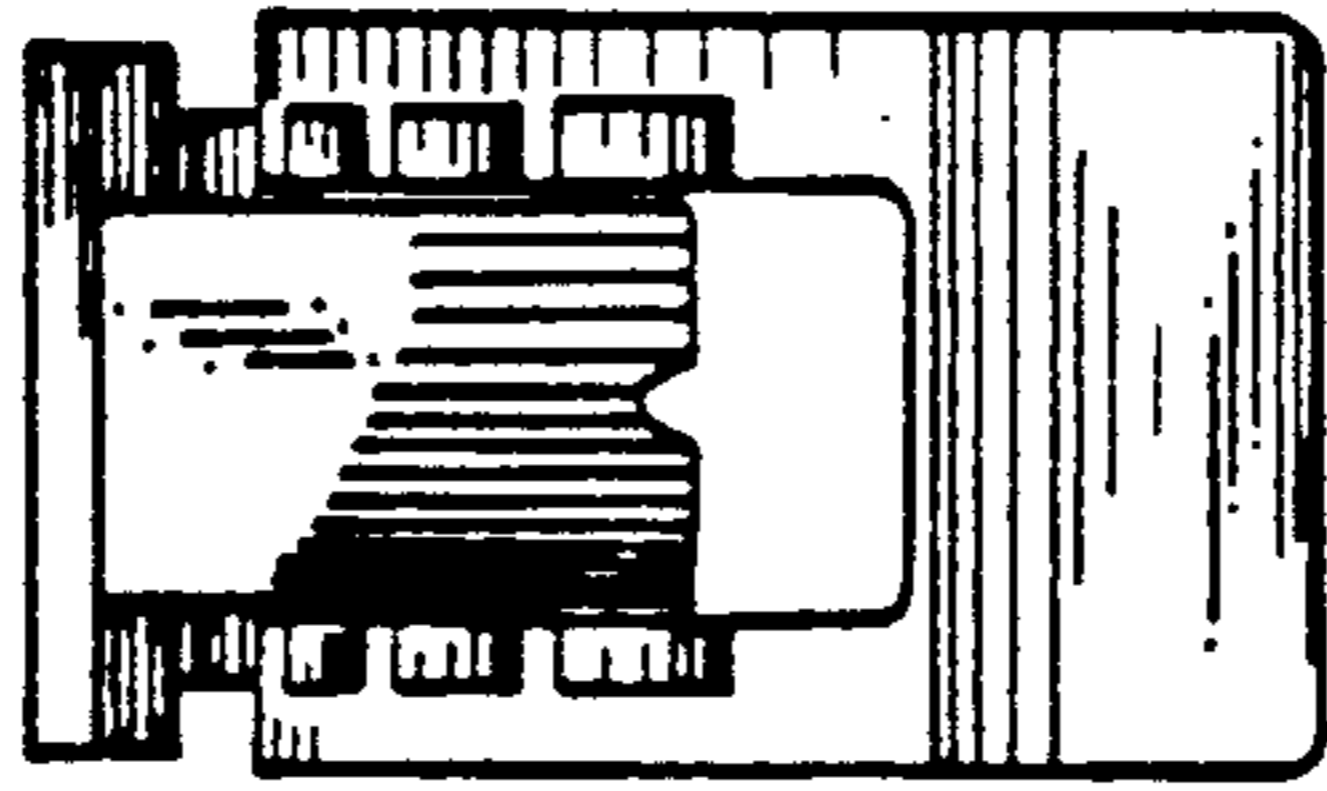


Fig. 7

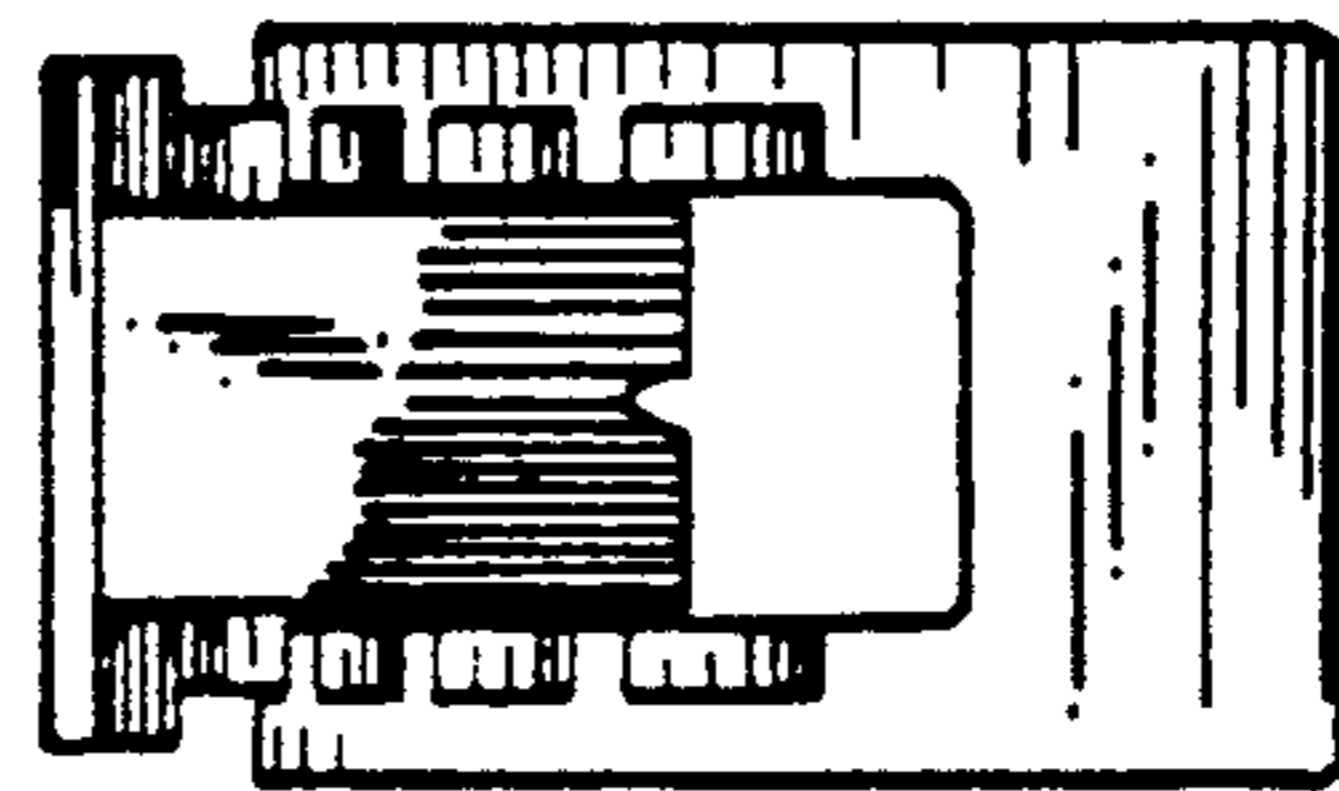


Fig. 8

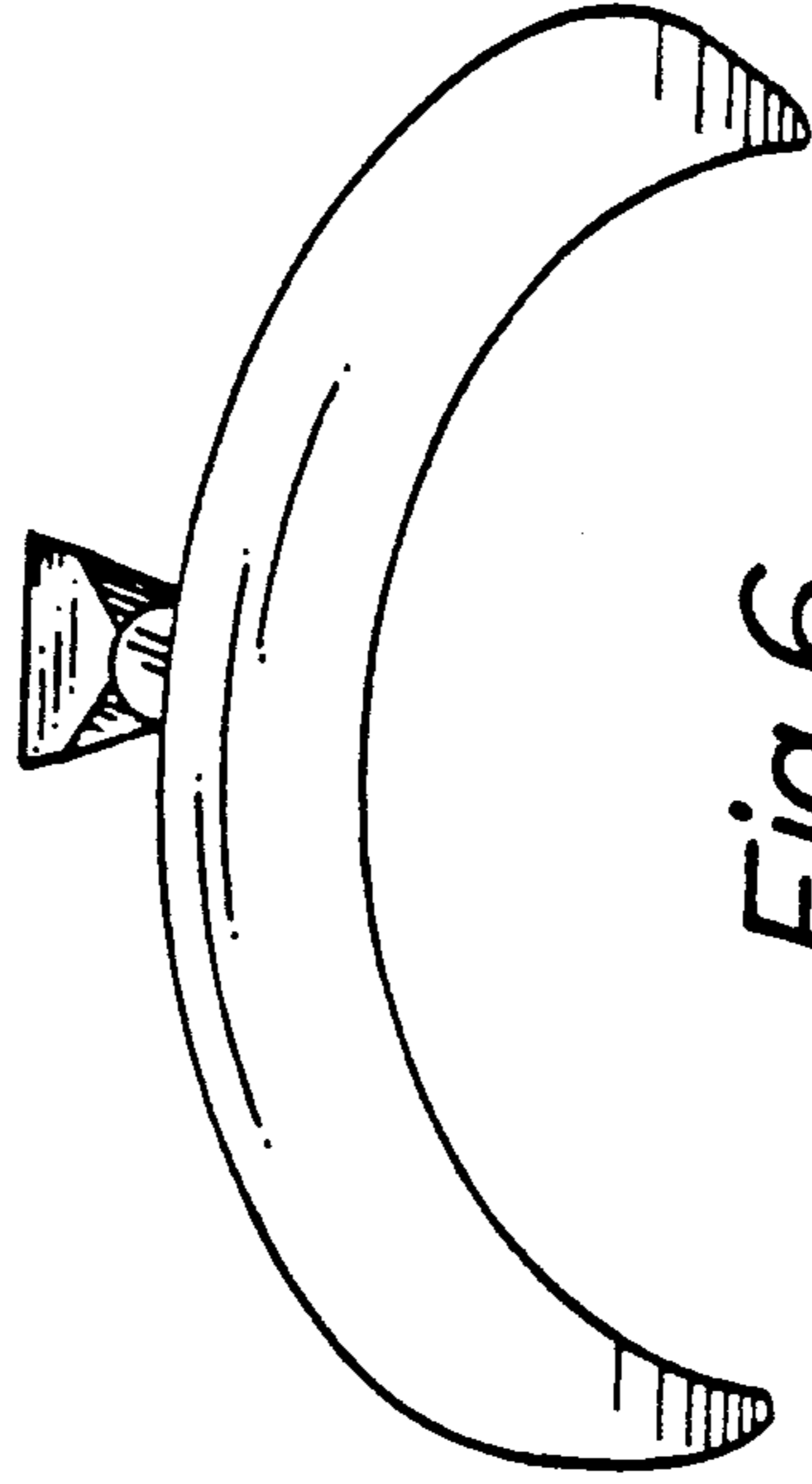


Fig. 6