

[54] ELECTRIC PLANER
[75] Inventor: Juzaburo Monobe, Hiroshima, Japan
[73] Assignee: Ryobi Ltd., Hiroshima, Japan
[**] Term: 14 Years
[21] Appl. No.: 308,693
[22] Filed: Feb. 10, 1989
[30] Foreign Application Priority Data
Aug. 12, 1988 [JP] Japan 63-32515
[52] U.S. Cl. D15/127
[58] Field of Search D15/127, 133;
144/114 R, 117 R, 251 R

[56] References Cited
U.S. PATENT DOCUMENTS
D. 267,406 12/1982 Glore D15/127
D. 284,286 6/1986 Pioch et al. D15/127
D. 299,146 12/1988 Pollack et al. D15/127
D. 307,592 5/1990 Monobe et al. D15/127
2,711,763 6/1955 Brown 144/251

4,664,165 5/1987 Pollak et al. 144/117 R

OTHER PUBLICATIONS

Design Journal(s) published on Nov. 14, 1986, Japanese Design Reg. No. 692189 (Registrant: Black & Decker Inc.).
Primary Examiner—Bruce W. Dunkins
Assistant Examiner—Antoine D. Davis
Attorney, Agent, or Firm—Sughrue, Mion, Zinn, Macpeak & Seas

[57] CLAIM
The ornamental design for an electric planer, as shown.

DESCRIPTION

FIG. 1 is a top, front and left side elevational view of an electric planer showing my new design;
FIG. 2 is a front elevational view;
FIG. 3 is a rear elevational view;
FIG. 4 is a top plan view;
FIG. 5 is a bottom plan view;
FIG. 6 is a left side elevational view; and
FIG. 7 is a right side elevational view thereof.

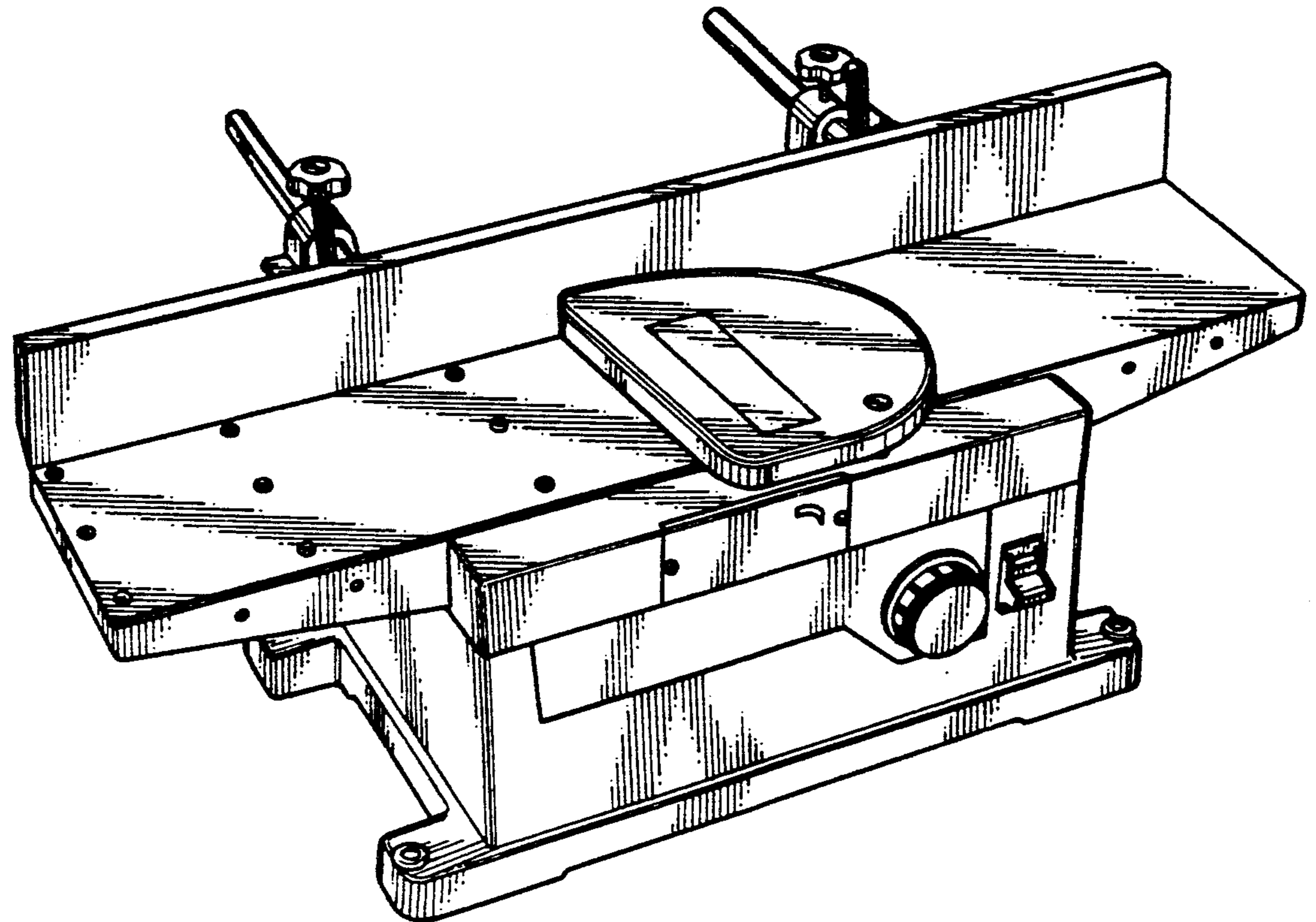


Fig. 1

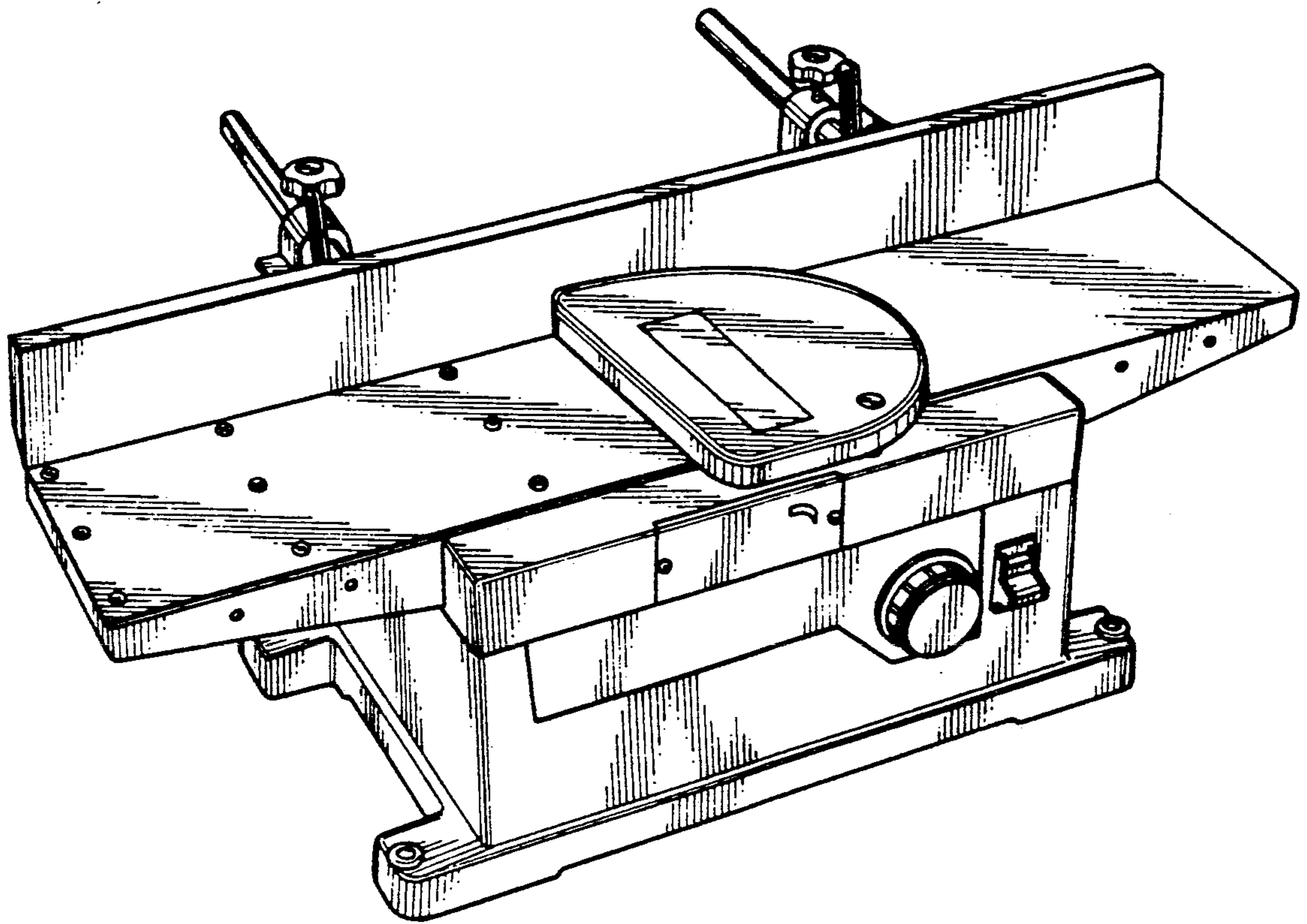


Fig. 2

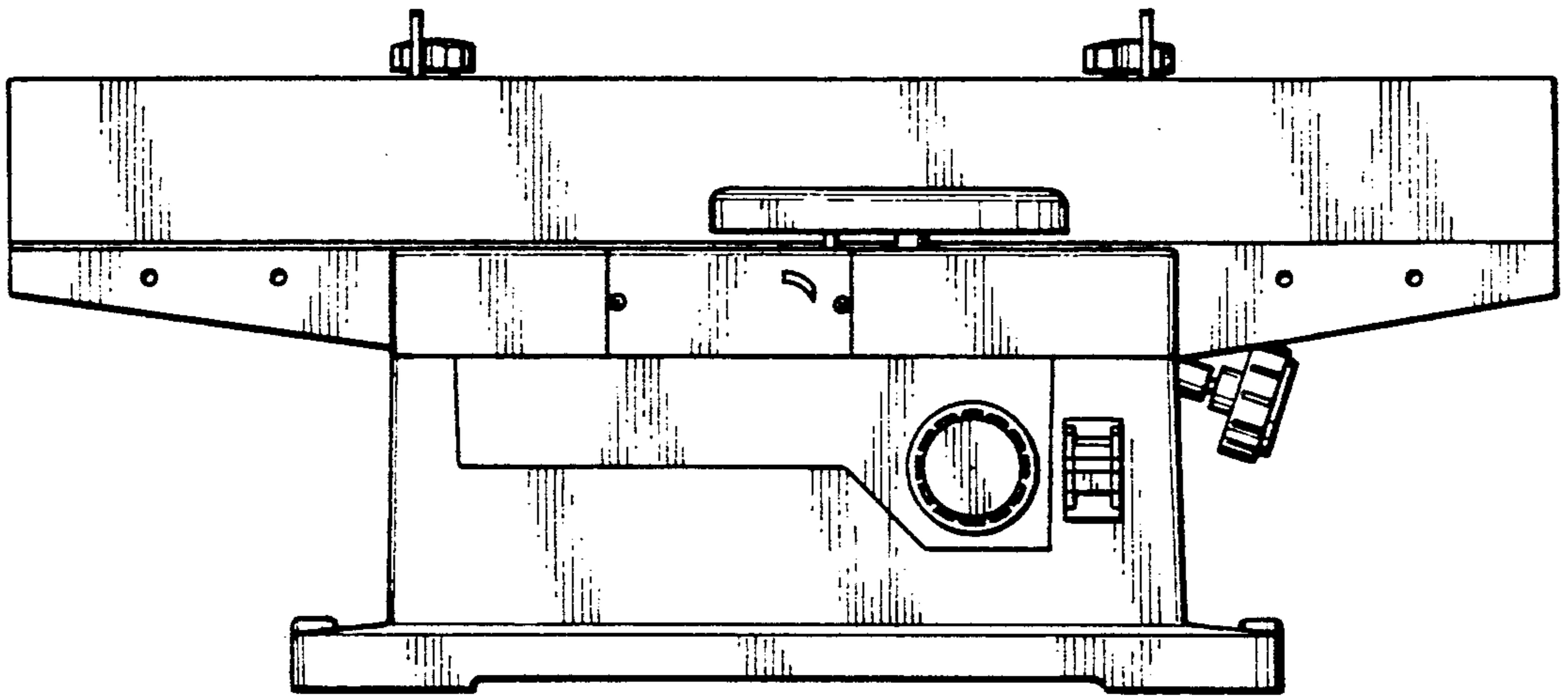


Fig. 3

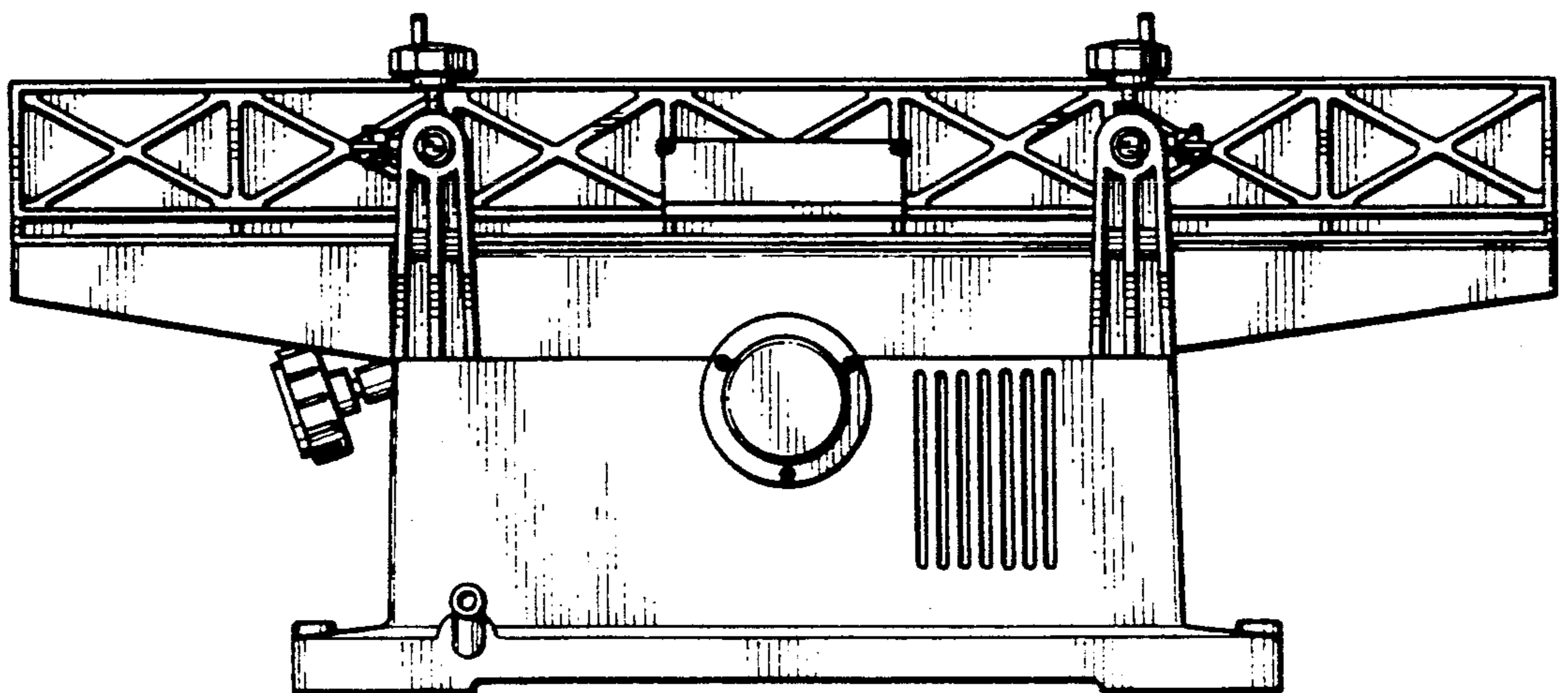


Fig. 4

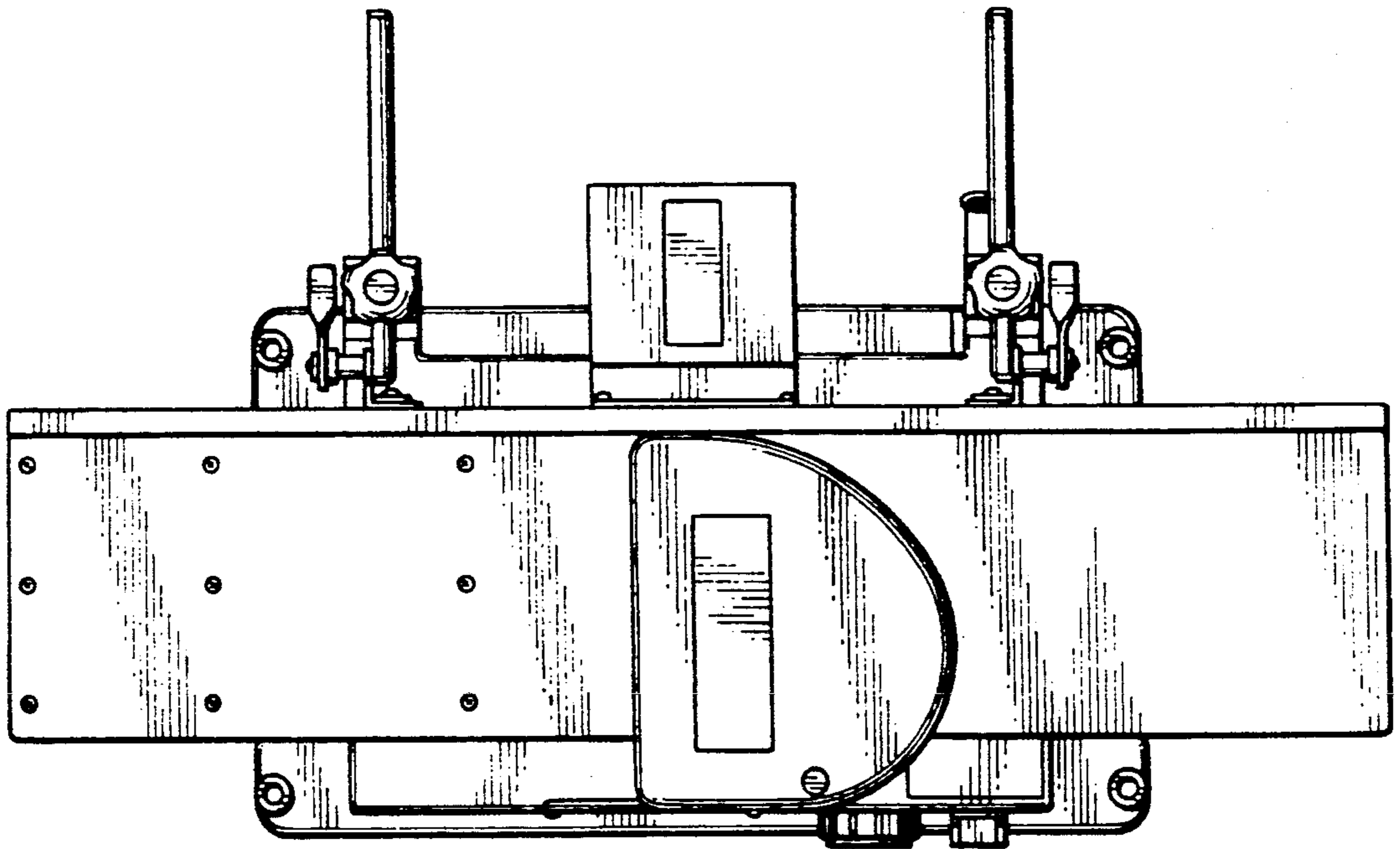


Fig. 5

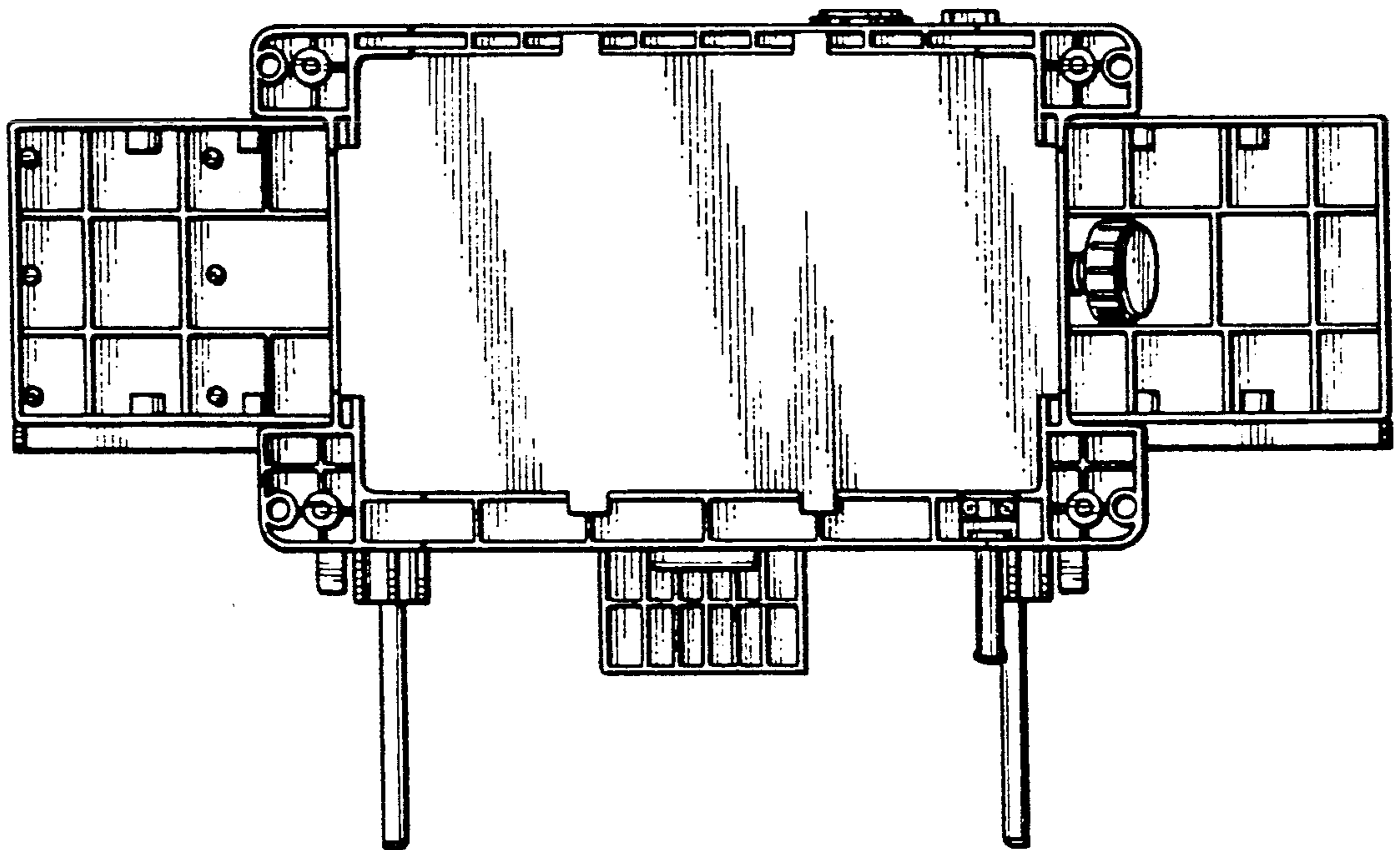


Fig. 6

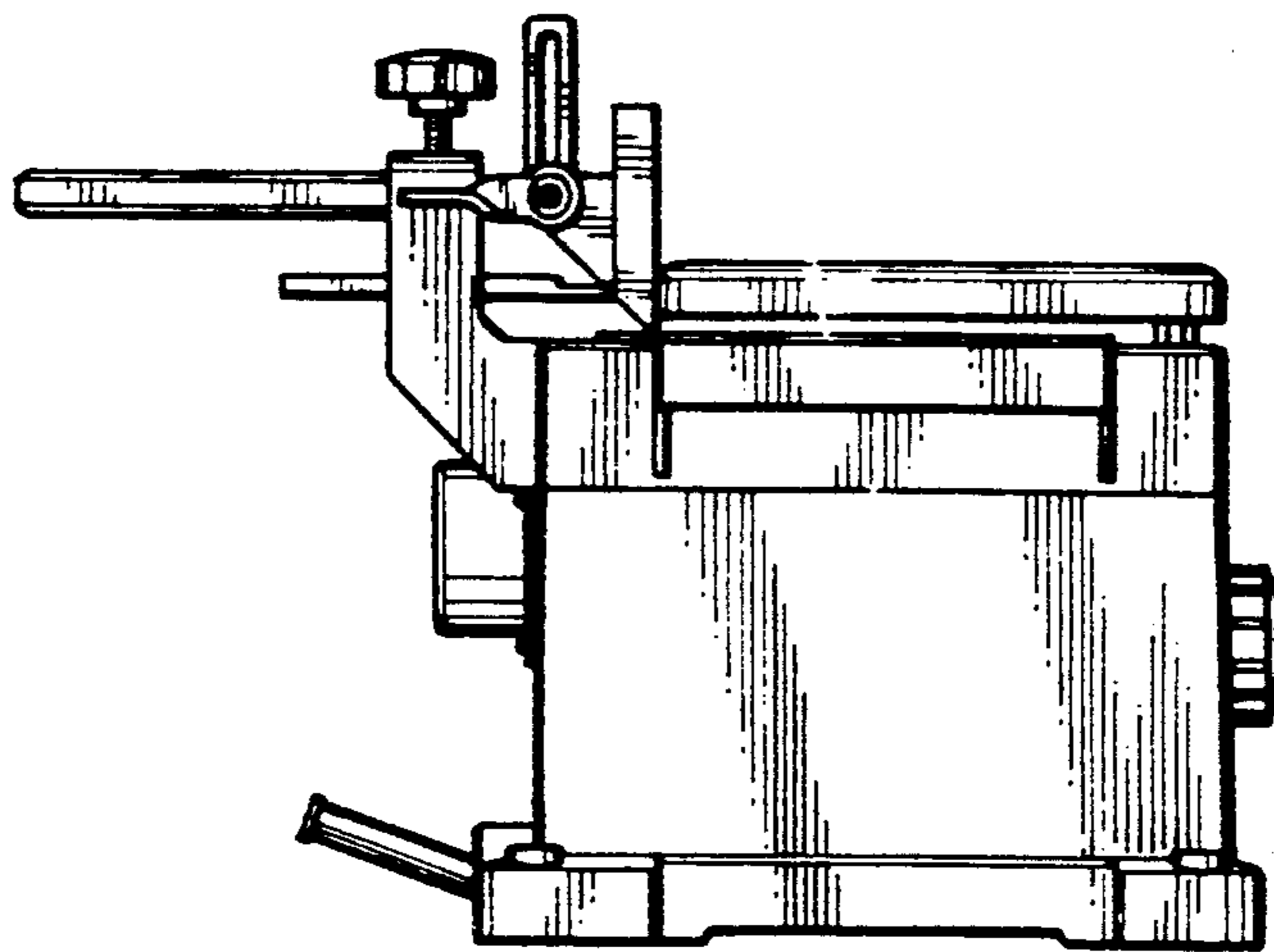


Fig. 7

