

[54] PAGING LOUDSPEAKER

[76] Inventor: **Hugh C. Hsieh**, Chen Hsieh Bros., Inc., 17921 Lyons Cir., Huntington Beach, Calif. 92647

[**] Term: **14 Years**

[21] Appl. No.: **408,091**

[22] Filed: **Sep. 14, 1989**

[52] U.S. Cl. **D14/204; D14/208**

[58] Field of Search **D14/137, 159, 204-216, D14/221-222, 224; 181/141, 144, 148, 150, 152-153, 155, 157, 199; 381/24, 86-88, 90, 159, 182, 205**

[56] **References Cited**

U.S. PATENT DOCUMENTS

D. 205,663	9/1966	Seebinger	D14/204
D. 249,941	10/1978	Bremseth	D14/204
4,984,278	1/1991	Frye et al.	381/87 X

OTHER PUBLICATIONS

Radio Shack 1989 Catalog; p. 44; top right-Super-Powerhorn.

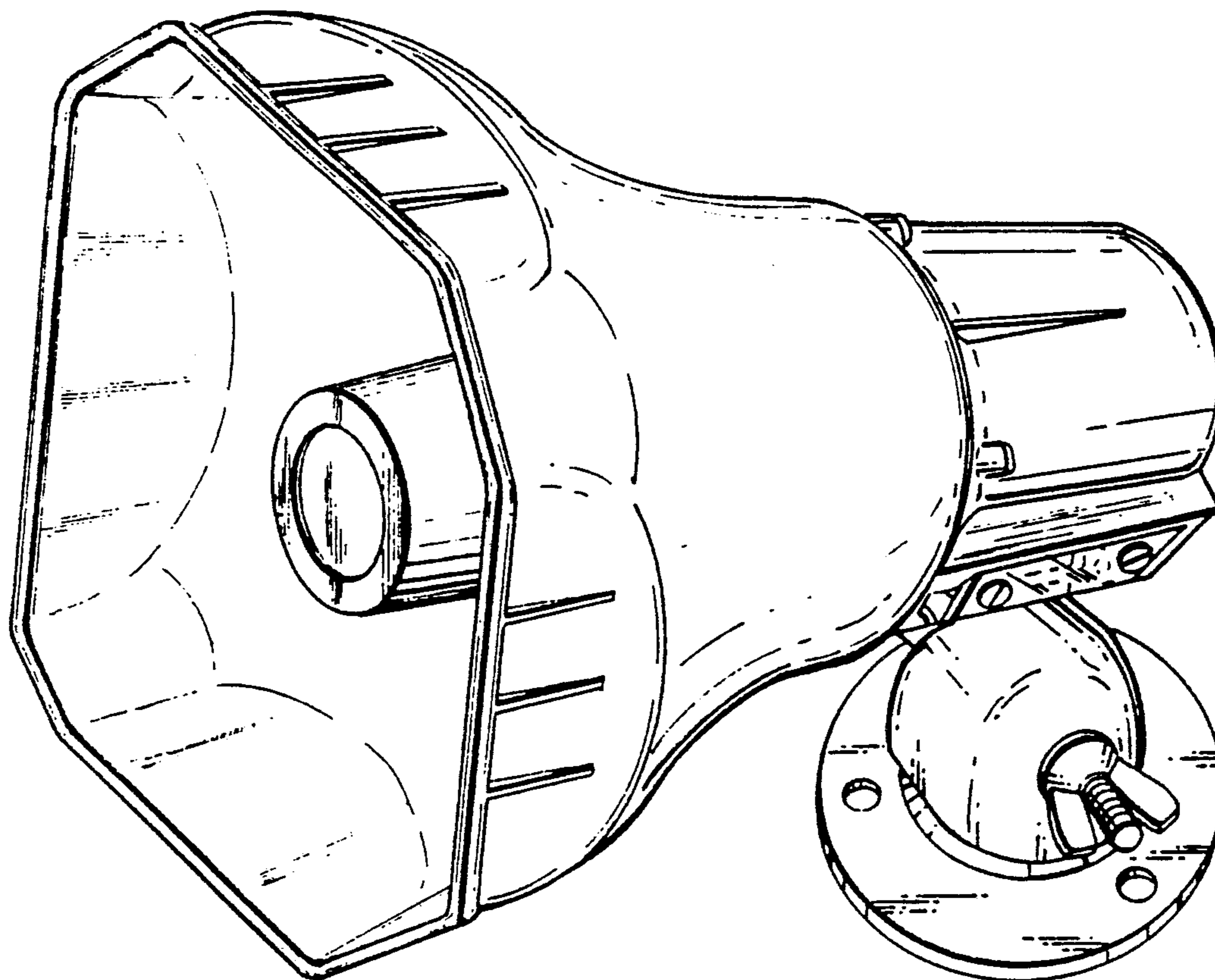
Primary Examiner—Theodore M. Shooman
Attorney, Agent, or Firm—Don H. Haycock

[57] **CLAIM**

The ornamental design for a paging loudspeaker, as shown and described.

DESCRIPTION

FIG. 1 is a top, front and right side perspective view of a paging loudspeaker showing my new design; FIG. 2 shows a rear elevation view rotated 180 degrees; FIG. 3 shows a front elevation view; FIG. 4 shows a top plan view; FIG. 5 shows a left side elevation view rotated 90 degrees; FIG. 6 shows a right side elevation view rotated 90 degrees; and, FIG. 7 shows a bottom plan view.



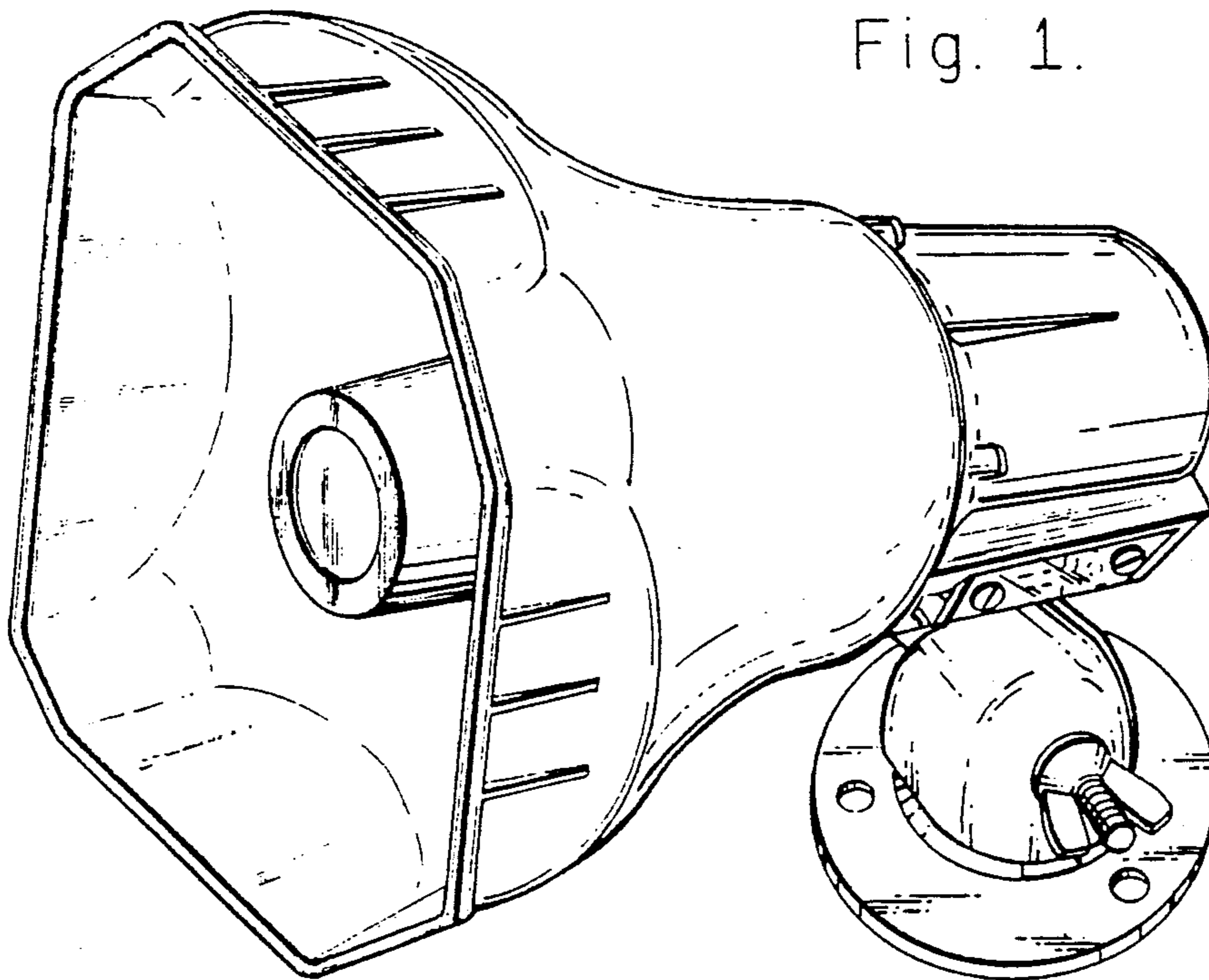


Fig. 1.

Fig. 2.

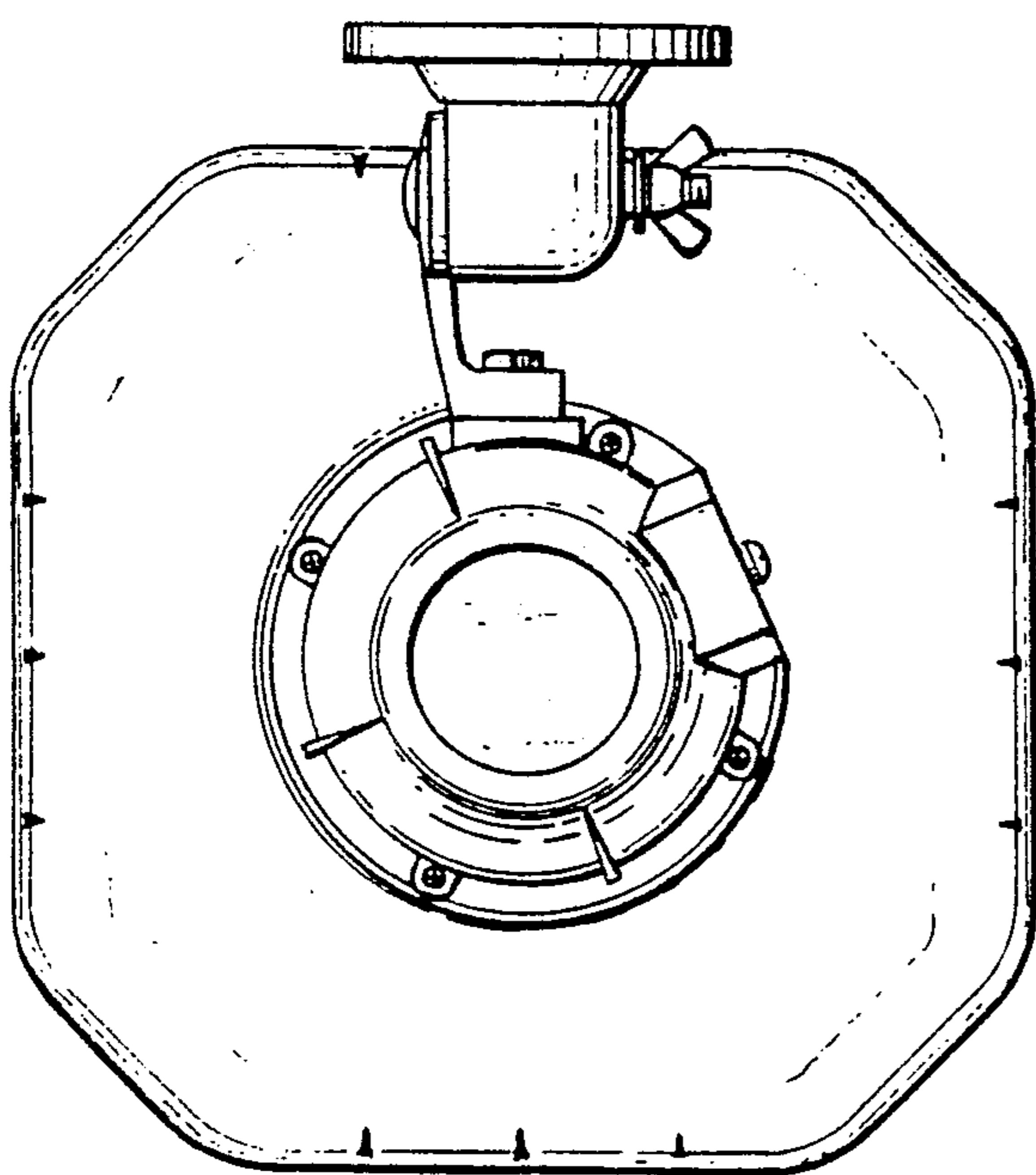


Fig. 3.

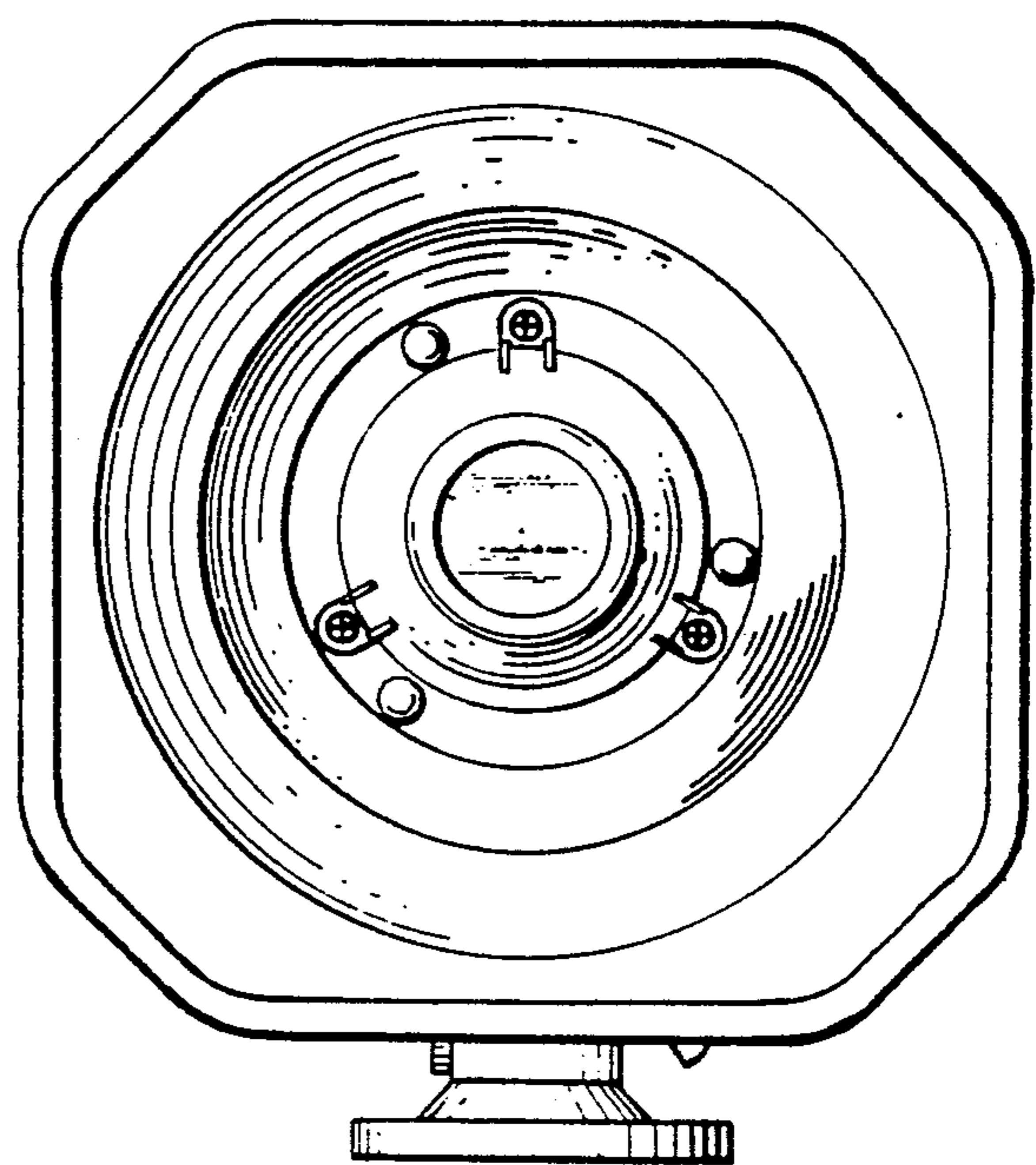


Fig. 4.

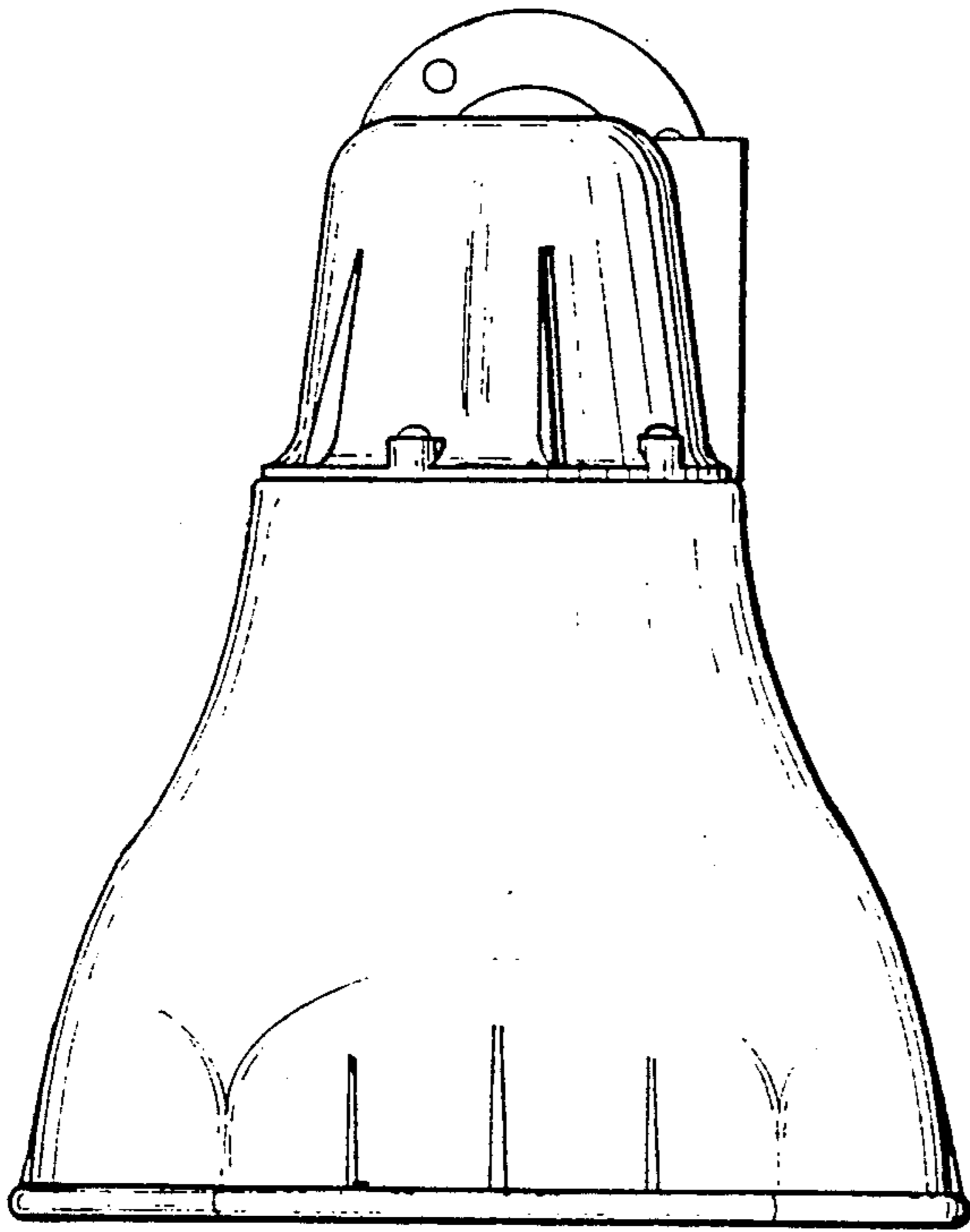


Fig. 5.

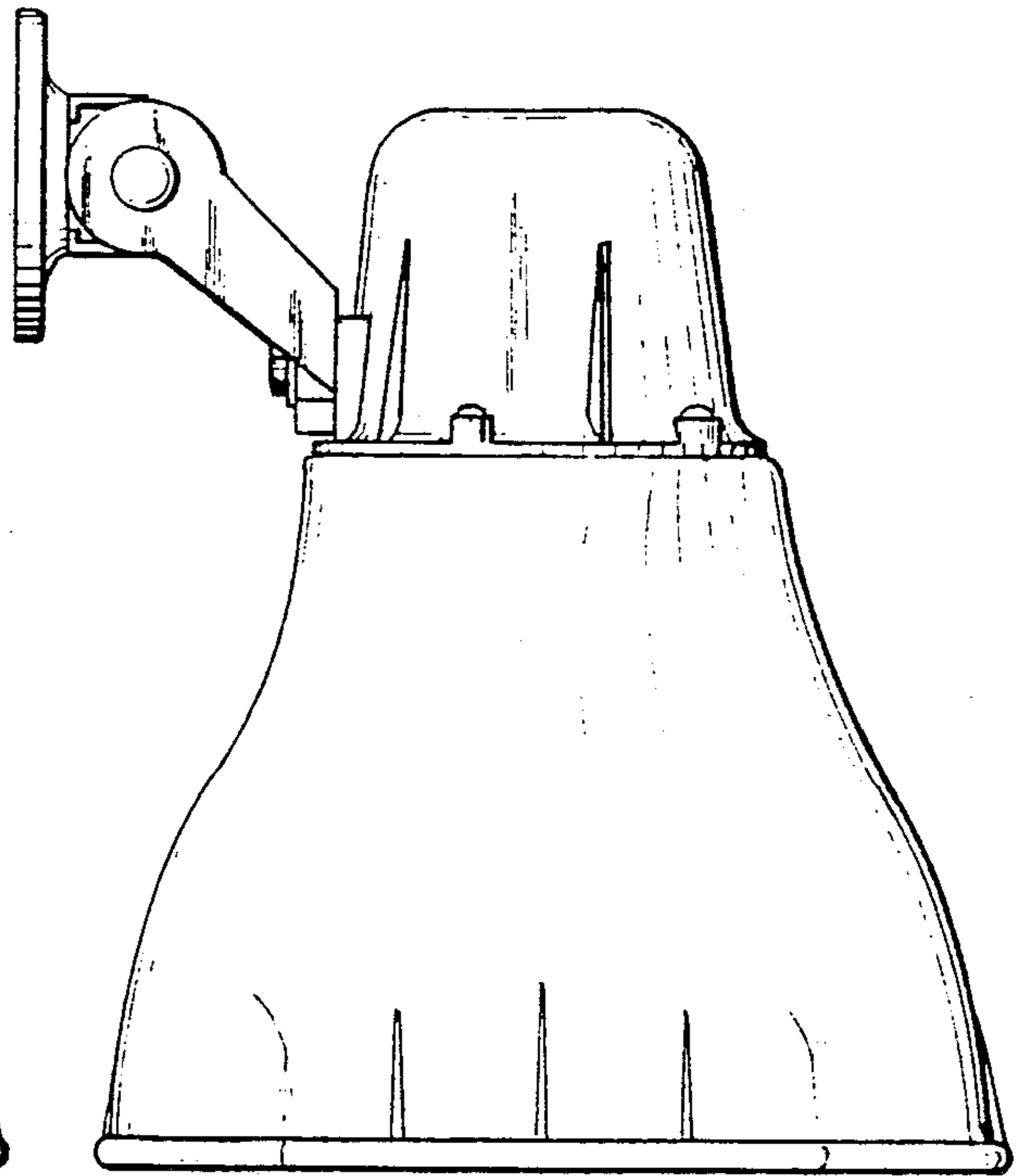


Fig. 6.

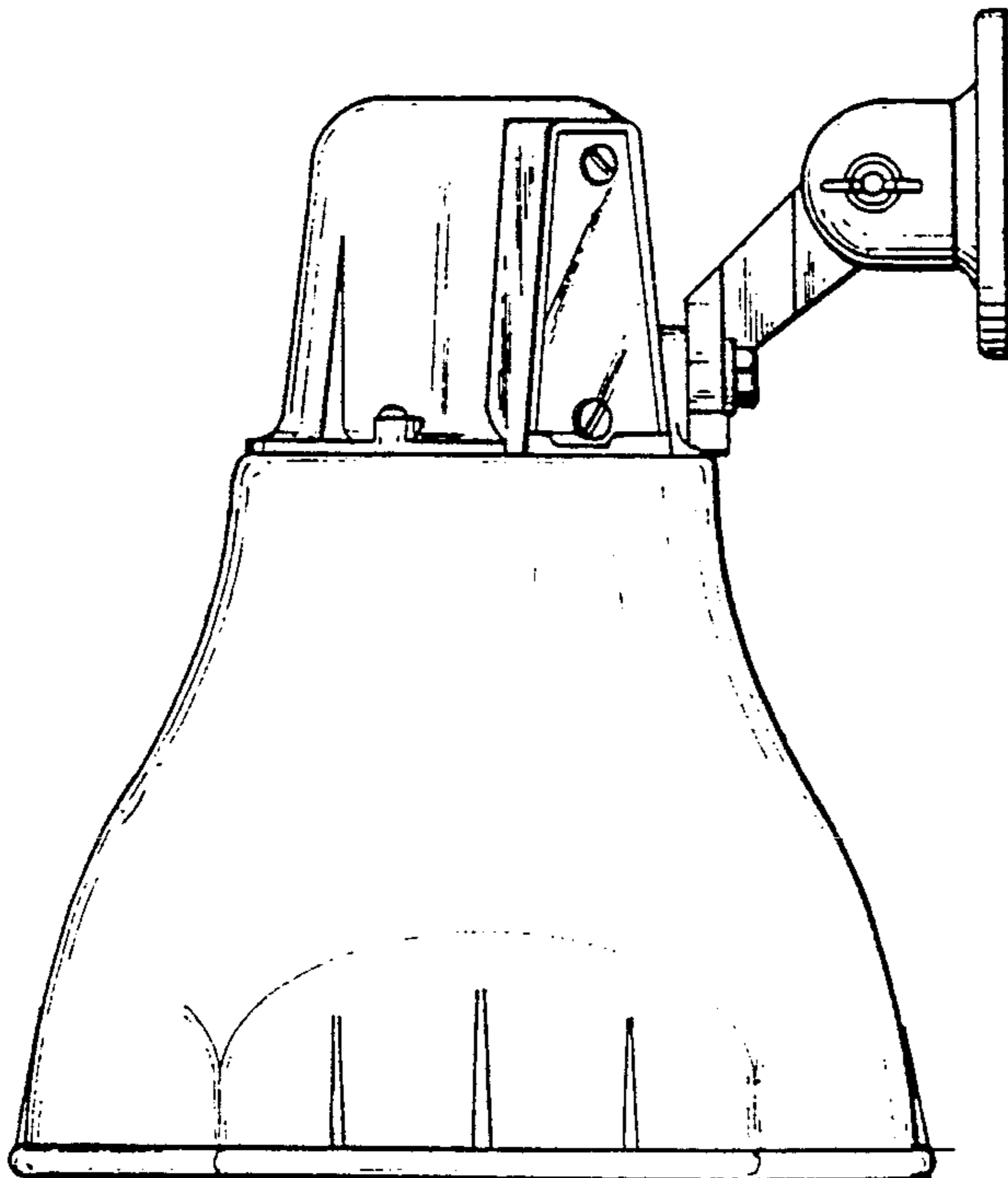


Fig. 7.

