

[54] **AUDIO AMPLIFIER**

[75] **Inventor: Kenshiro Tanaka, Sayama, Japan**

[73] **Assignee: Nakamichi Corporation, Tokyo, Japan**

[**] **Term: 14 Years**

[21] **Appl. No.: 392,240**

[22] **Filed: Aug. 10, 1989**

[52] **U.S. Cl. D14/188**

[58] **Field of Search D14/136, 156, 163, 165, D14/168-171, 175-176; 455/92, 100, 128, 344, 350-351; 312/7.1**

[56] **References Cited**

U.S. PATENT DOCUMENTS

- D. 247,566 3/1978 Jensen D14/197
- D. 253,823 1/1980 Rams D14/197
- D. 257,533 11/1980 Bevilacqua et al. D14/136

OTHER PUBLICATIONS

Video Review, Dec. 1987, p. 56, Shure HTS5200 surround sound decoder.

Primary Examiner—Theodore M. Shooman
Attorney, Agent, or Firm—Moonray Kojima

[57] **CLAIM**

The ornamental design for audio amplifier, as shown and described.

DESCRIPTION

FIG. 1 is a top, front and right side perspective view of an audio amplifier showing my new design; FIG. 2 is a front elevational view thereof. FIG. 3 is a rear elevational view thereof. FIG. 4 is a left side elevational view thereof. FIG. 5 is a right side elevational view thereof. FIG. 6 is a top plan view thereof; and FIG. 7 is a bottom plan view thereof.

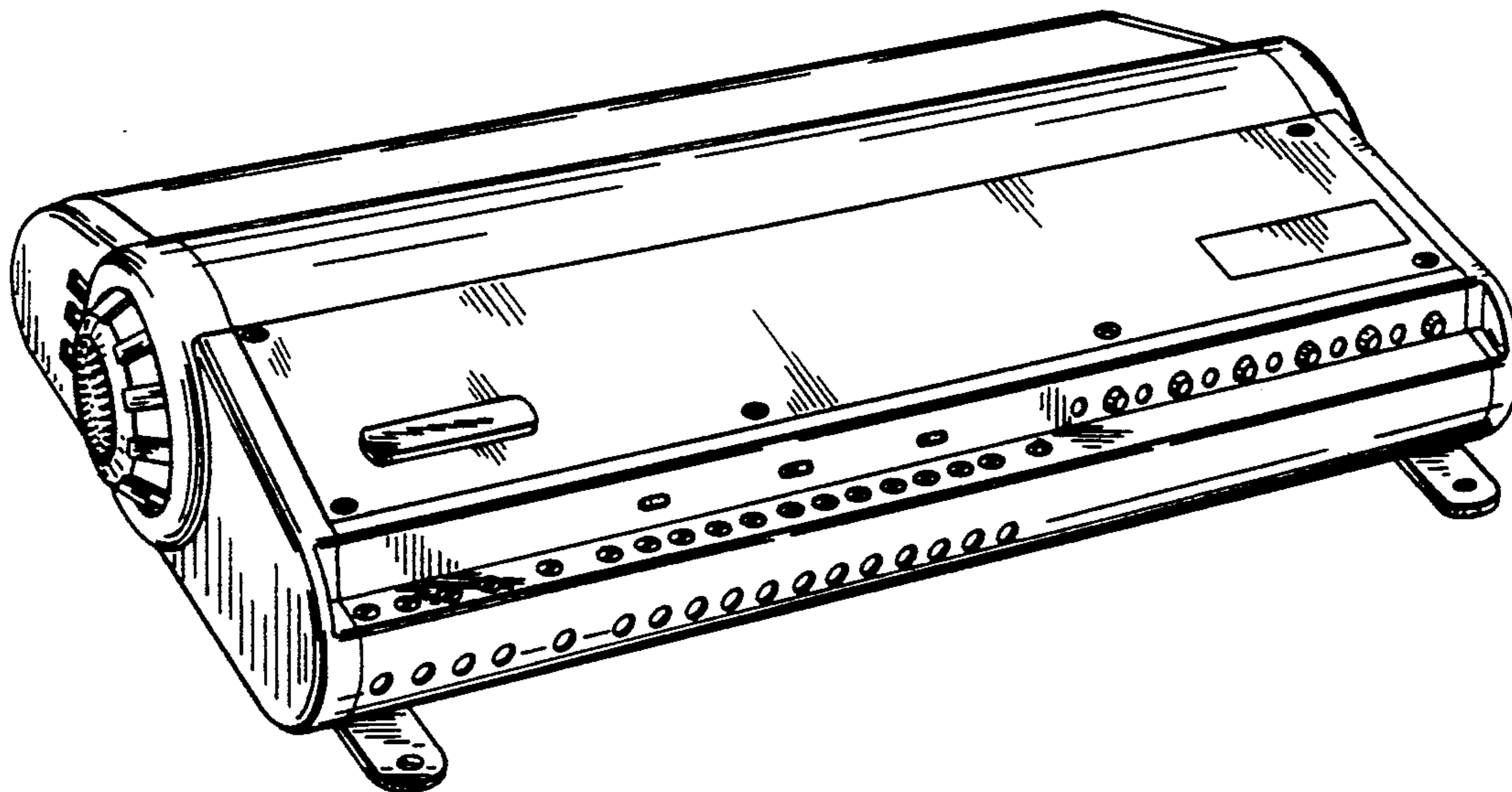


Fig.1

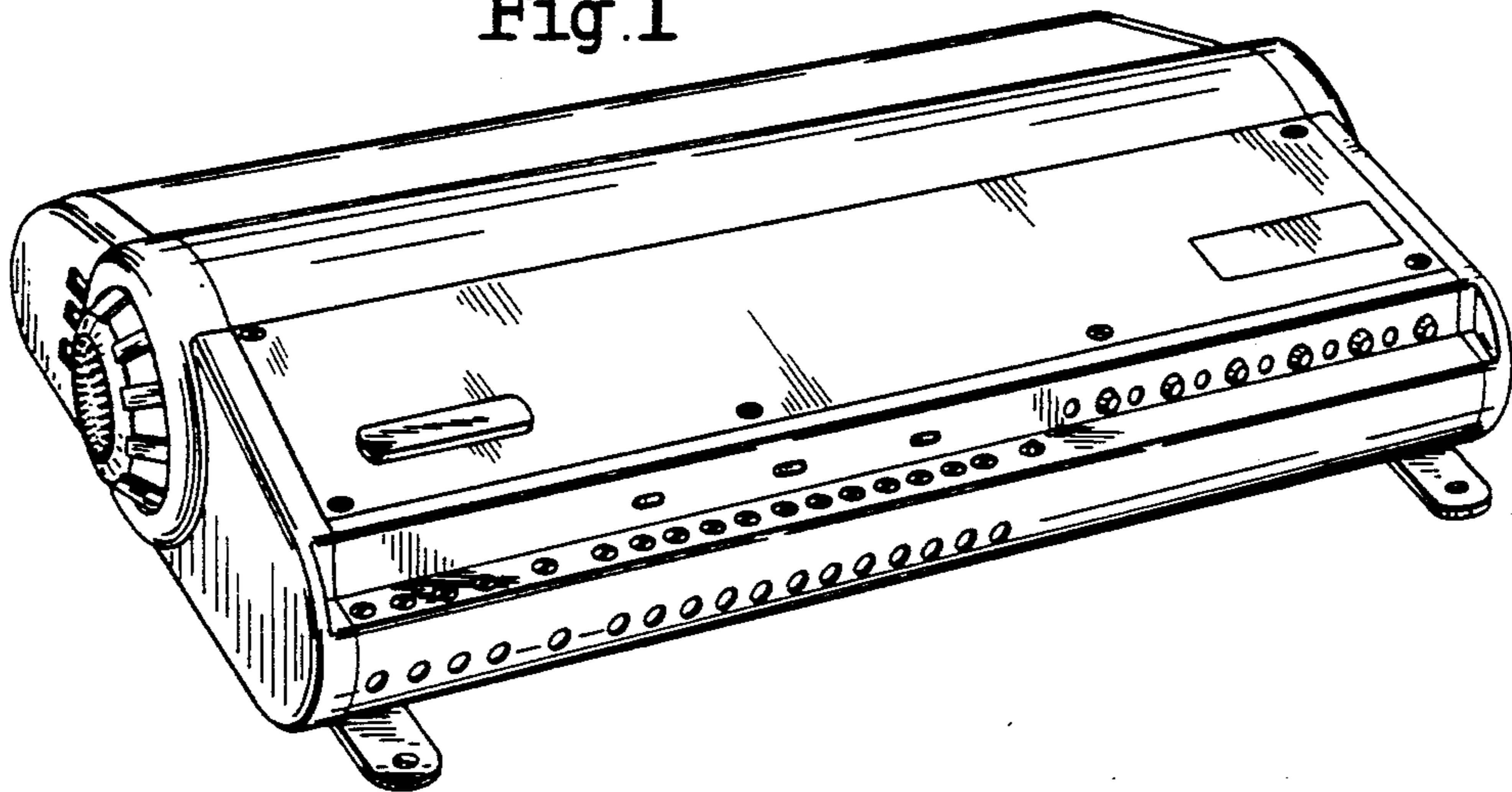


Fig.2

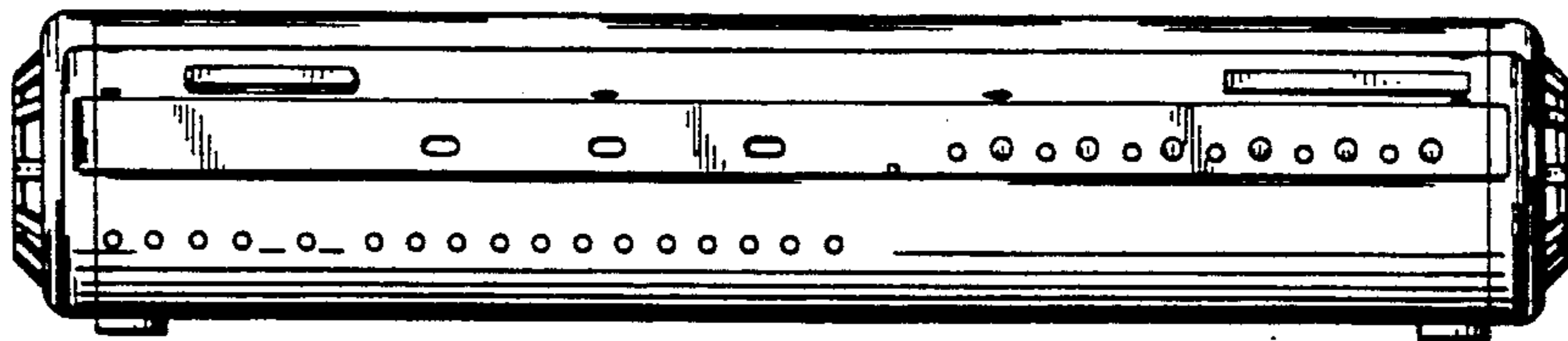


Fig.3

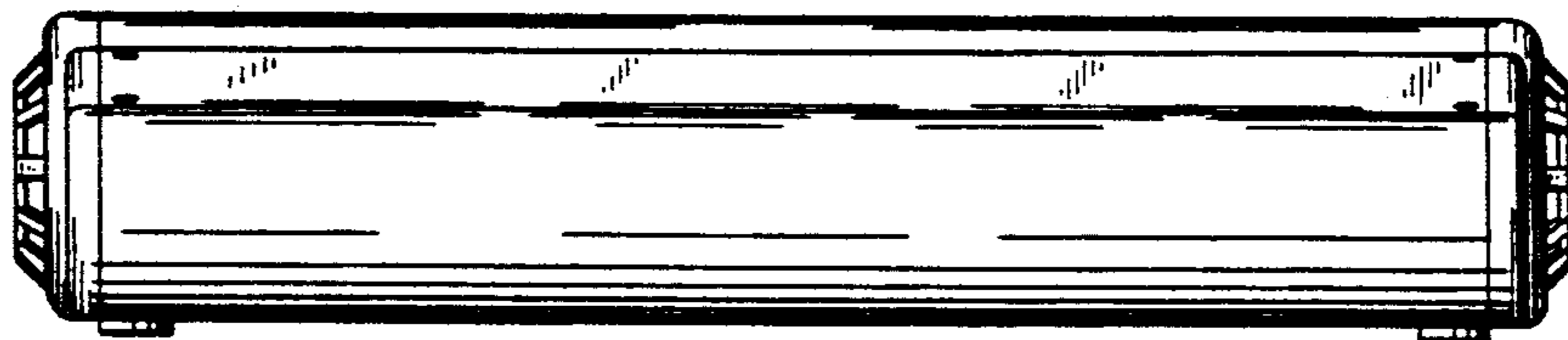


Fig.4

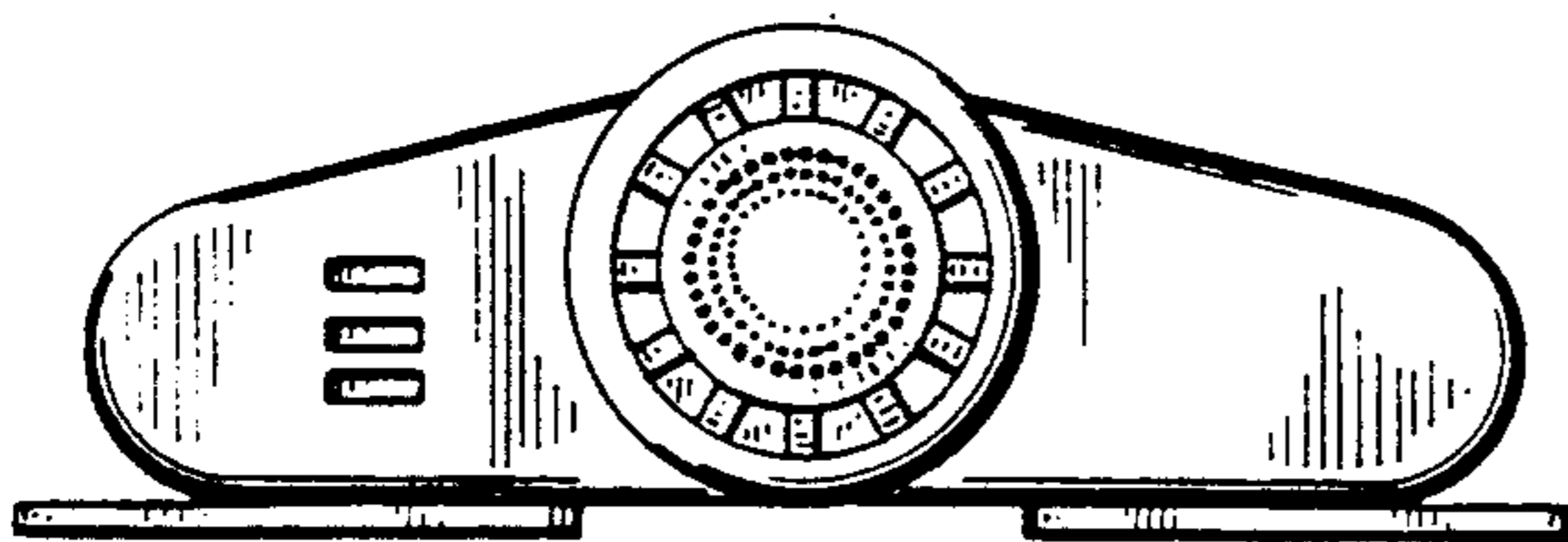


Fig.5

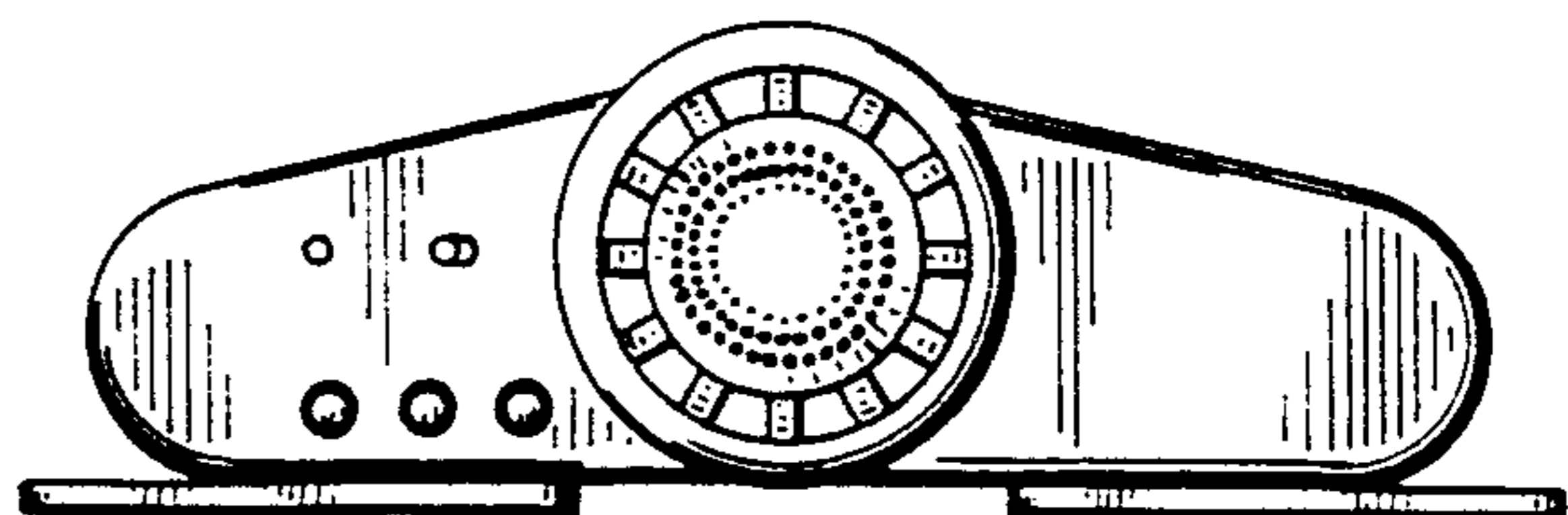


Fig. 6

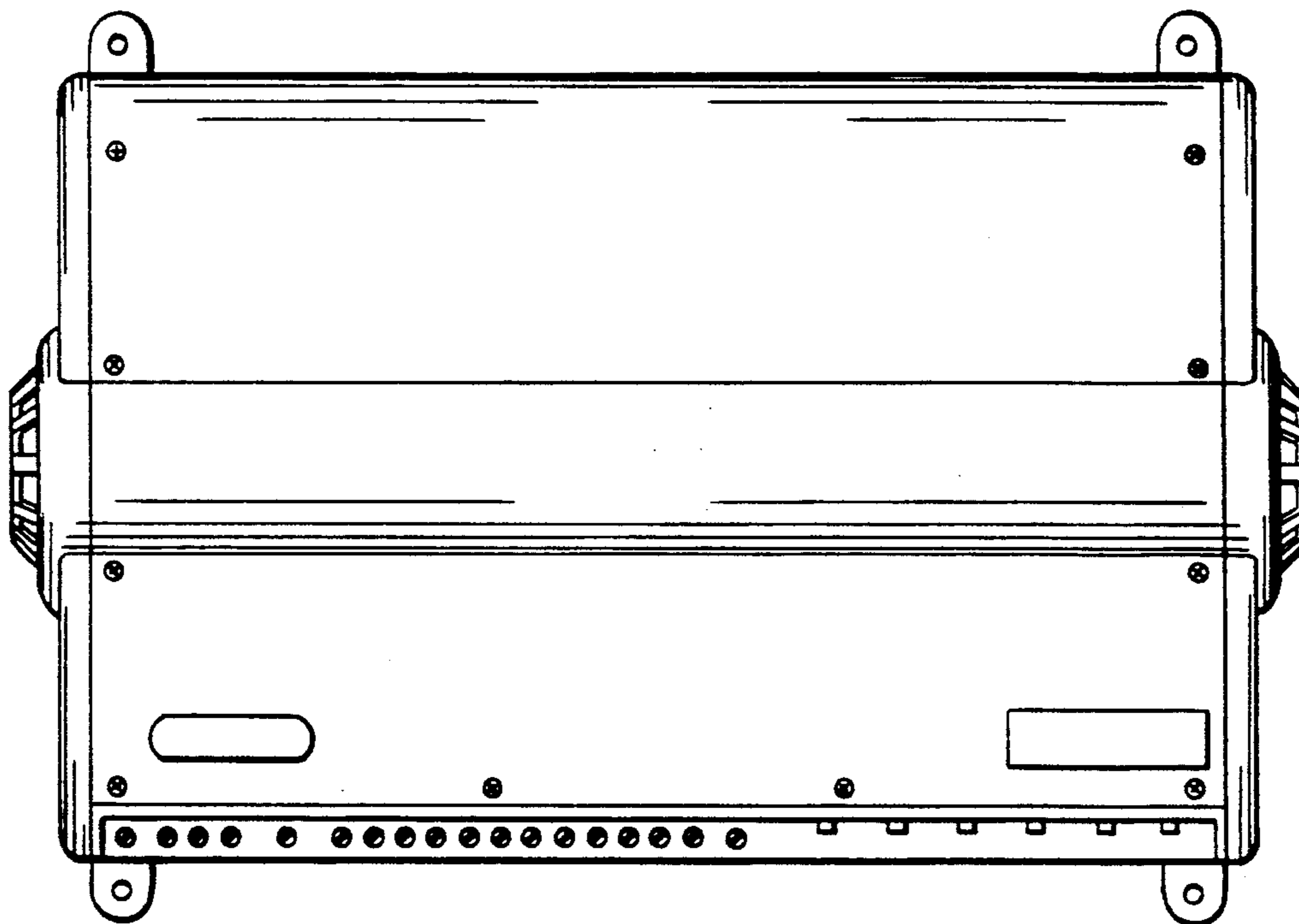


Fig. 7

