

[54] DISPLAY UNIT

[75] Inventors: John V. Acciaoli, Walled Lake, Mich.; Joseph A. Dalmis, Jr., Tucson, Ariz.; Roy Hennings, Tucson, Ariz.; Richard D. Kusel, Tucson, Ariz.; James L. Lentz, Tucson, Ariz.; Martin J. Marotti, Tucson, Ariz.; Roland Zapfe, Tucson, Ariz.

[73] Assignee: International Business Machines Corporation, Armonk, N.Y.

[\*\*] Term: 14 Years

[21] Appl. No.: 426,626

[22] Filed: Oct. 23, 1989

[52] U.S. Cl. .... D14/113

[58] Field of Search ..... D14/100, 101, 105, 106, D14/107, 113, 114, 115, 124-126; D18/1, 7, 4, 11, 12; 340/700, 706, 711, 712; 341/22, 23, 26; 315/85, 366; 358/248, 249, 252-255, 64; 364/706-710.14; 312/208; 313/422; 248/178, 917-923, 441.1, 442.2

[56] References Cited

U.S. PATENT DOCUMENTS

D. 286,788	11/1986	Koppens .....	D18/4
D. 291,093	7/1987	Wang .....	D14/113 X
D. 294,365	2/1988	Nishibori et al. ....	D18/4
D. 305,646	1/1990	Kato et al. ....	D18/4 X
D. 305,647	1/1990	Kato et al. ....	D18/4 X
4,691,886	9/1987	Wendling et al. ....	248/178 X

Primary Examiner—Wallace R. Burke  
Assistant Examiner—Freda S. Nunn  
Attorney, Agent, or Firm—H. St. Julian

[57] CLAIM

The ornamental design for a display unit, as shown and described.

DESCRIPTION

FIG. 1 is a top, front, right side perspective of display unit showing our new design;  
FIG. 2 is a front elevational view thereof;  
FIG. 3 is a top plan view thereof;  
FIG. 4 is a bottom plan view thereof;  
FIG. 5 is a rear elevational view thereof;  
FIG. 6 is a right side elevational view thereof; and  
FIG. 7 is a left side elevational view thereof.

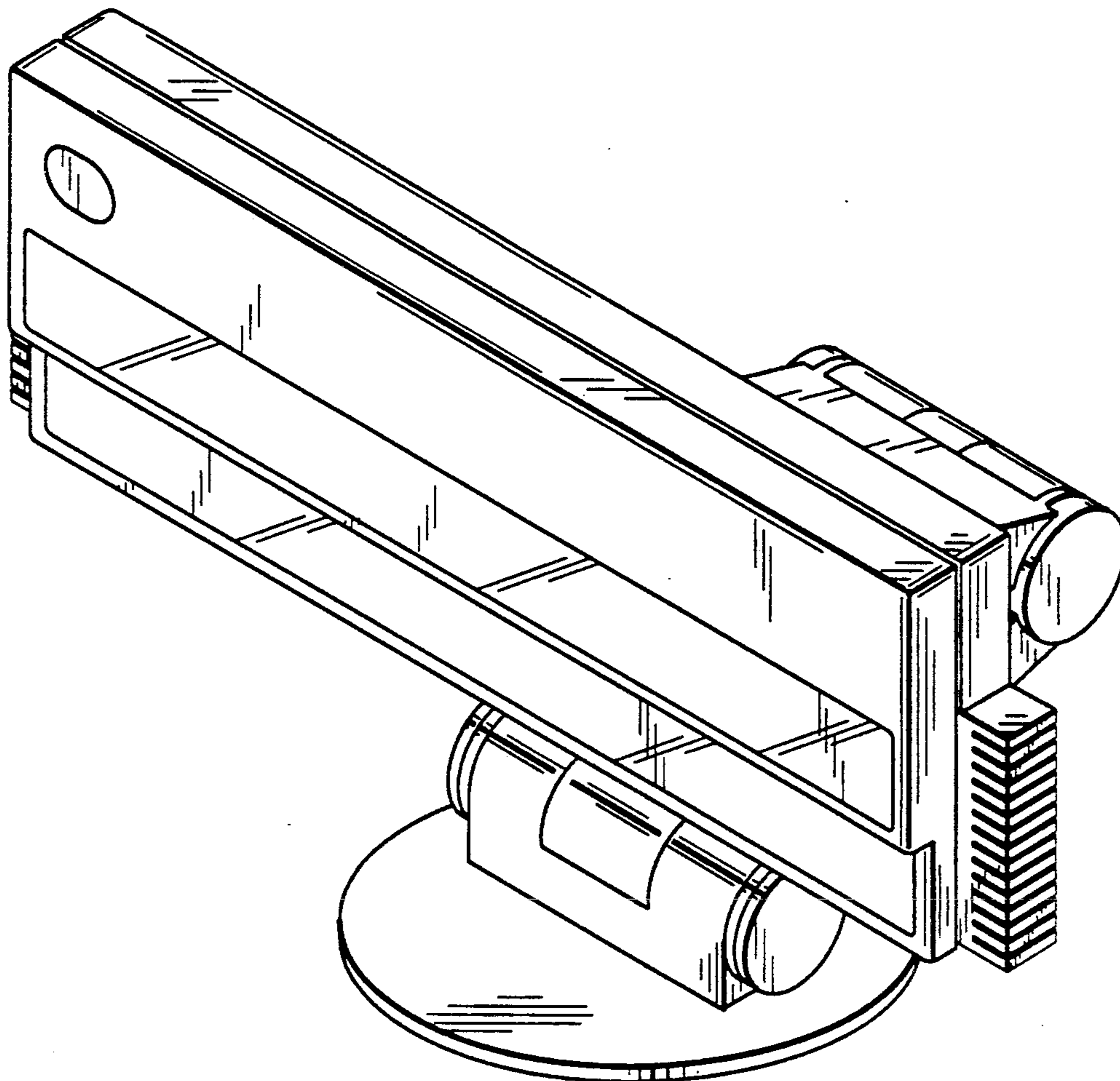


FIG. 1

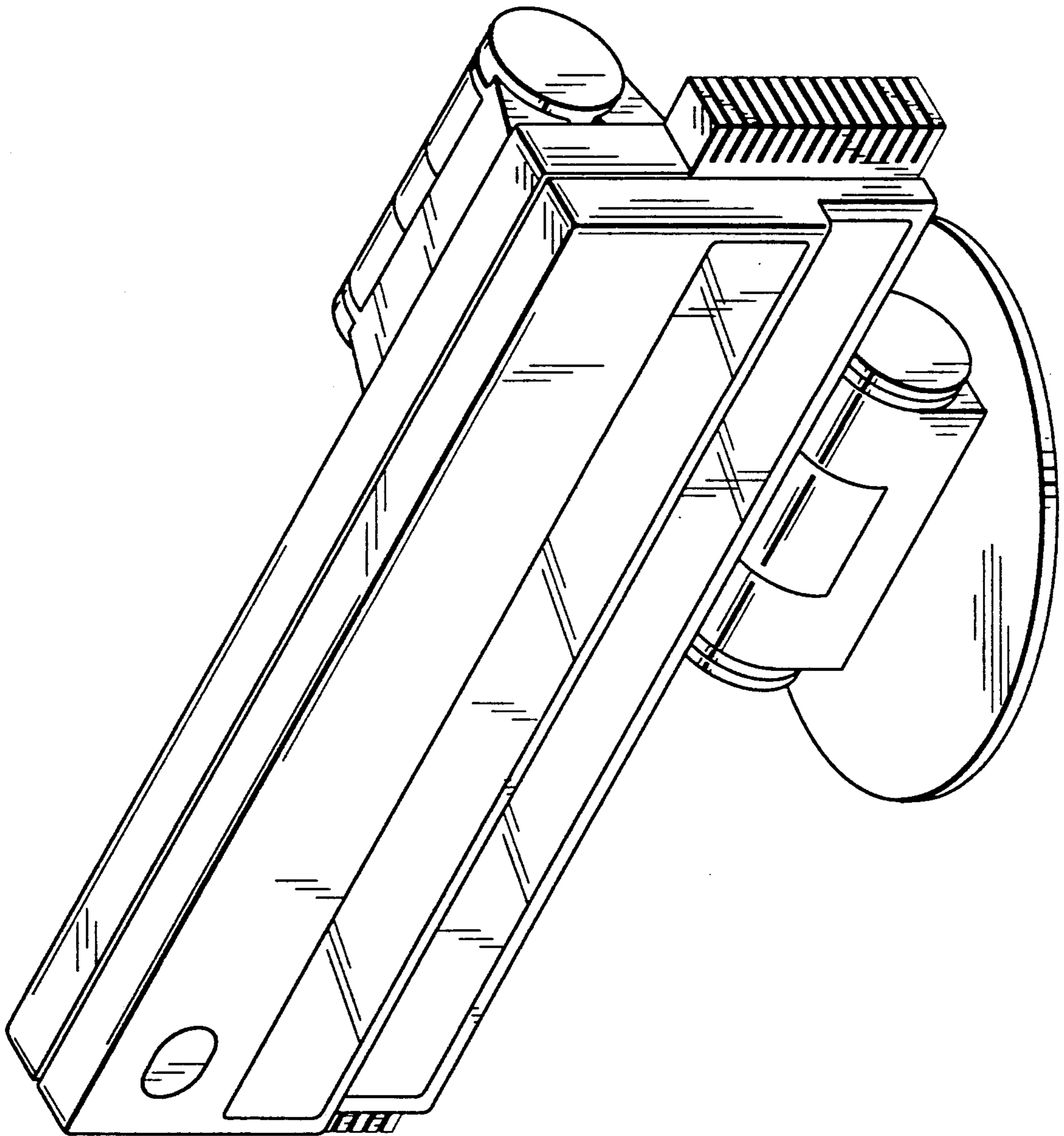




FIG. 2

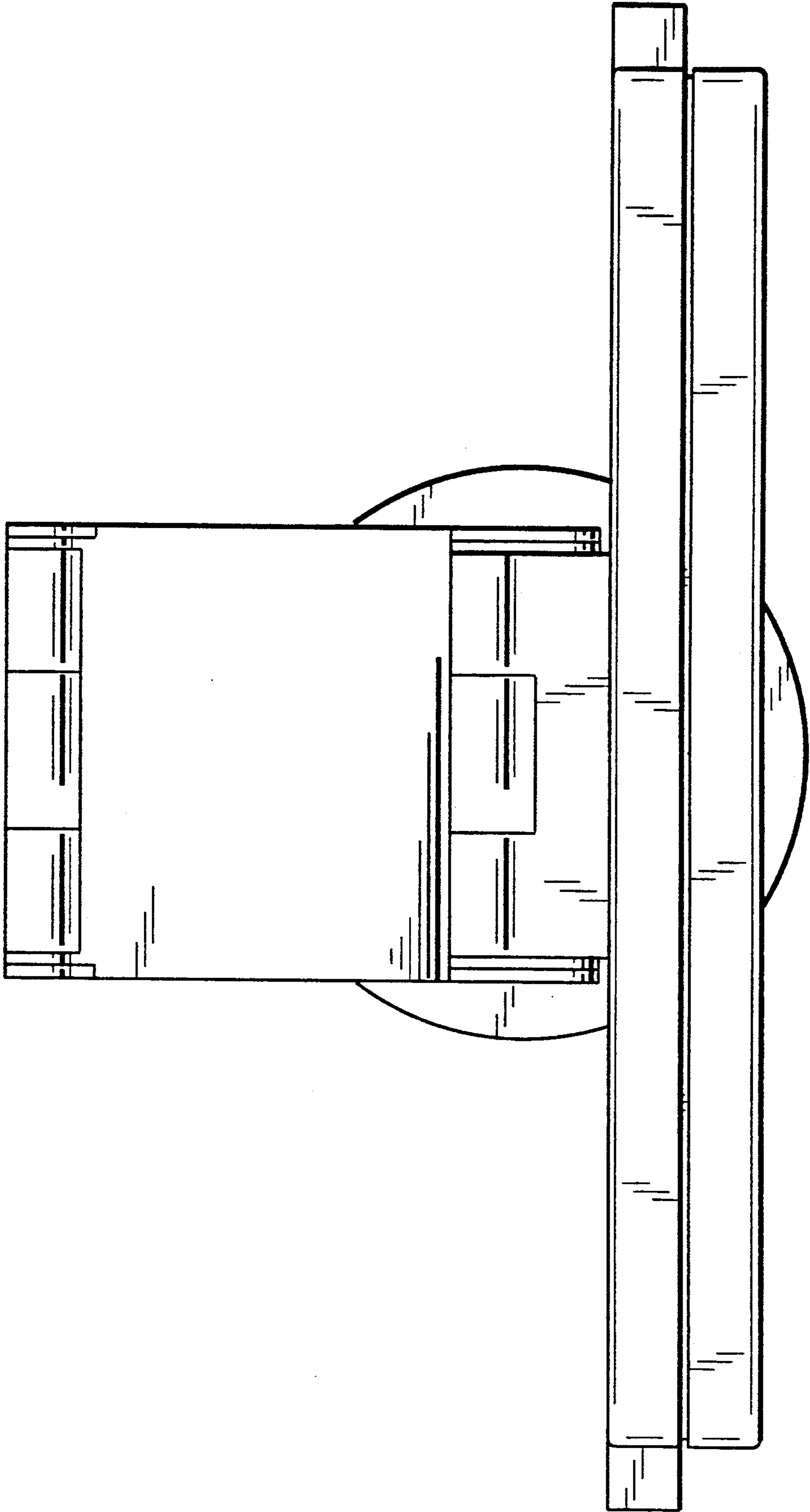


FIG. 3

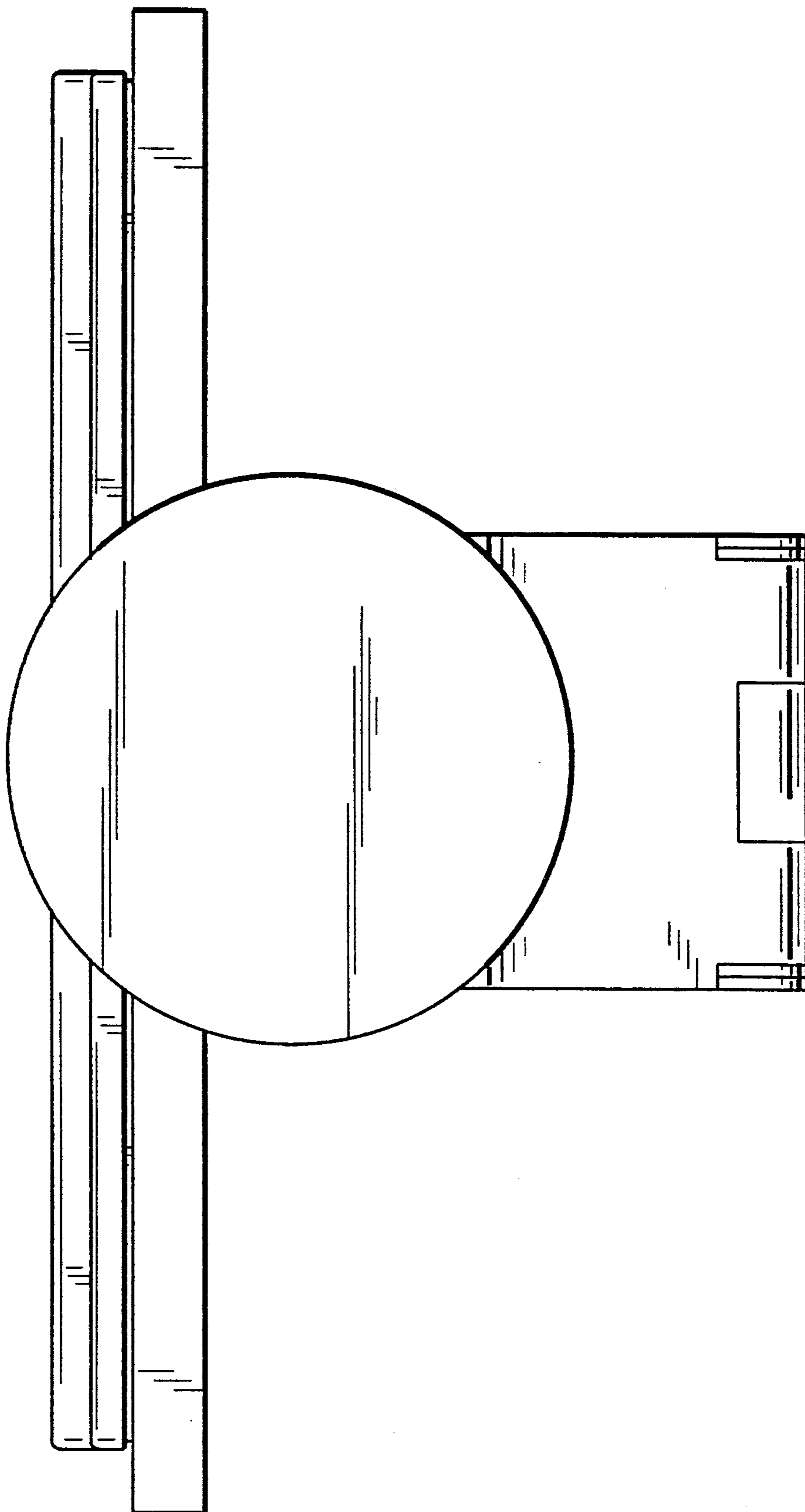


FIG. 4



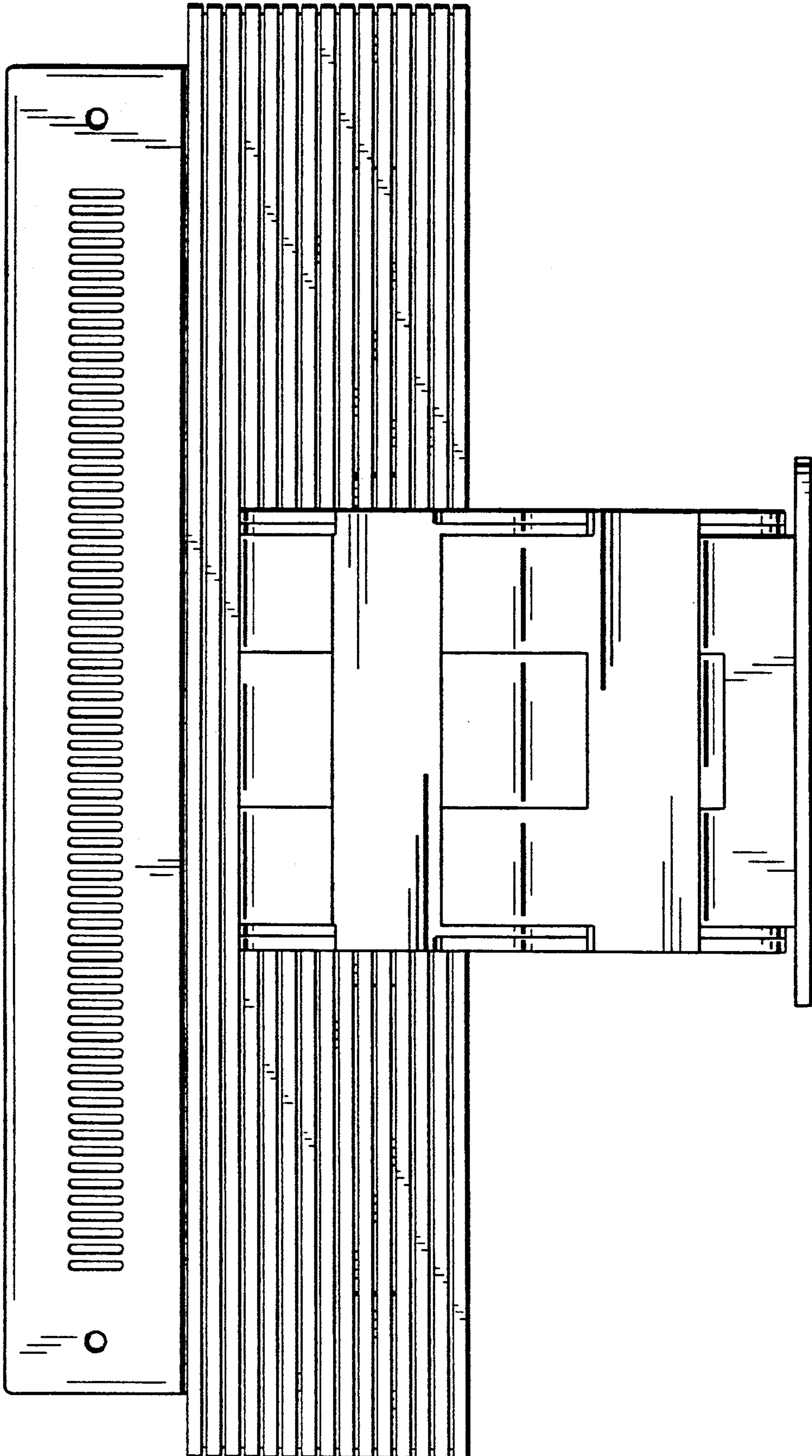


FIG. 5

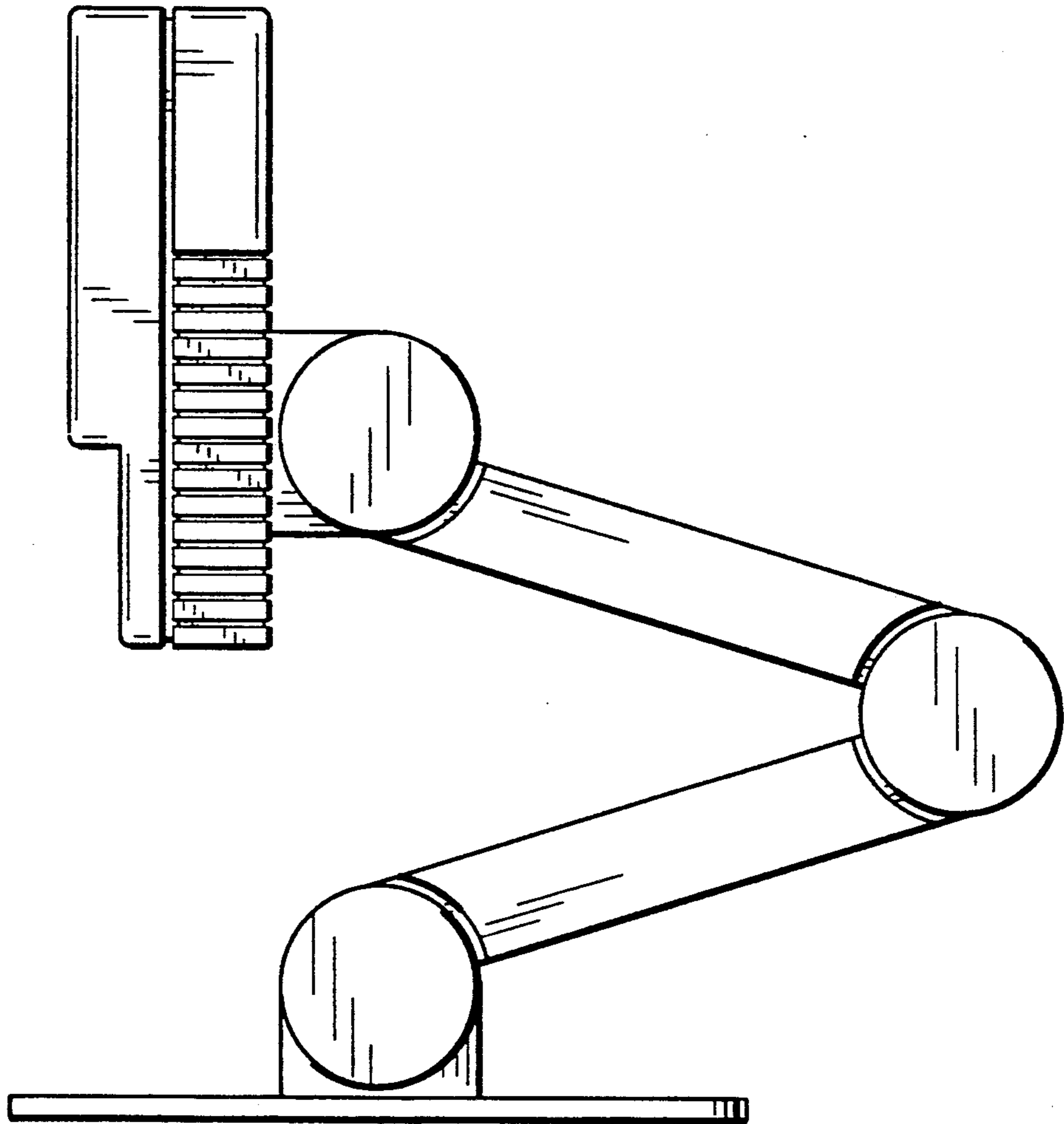


FIG. 6

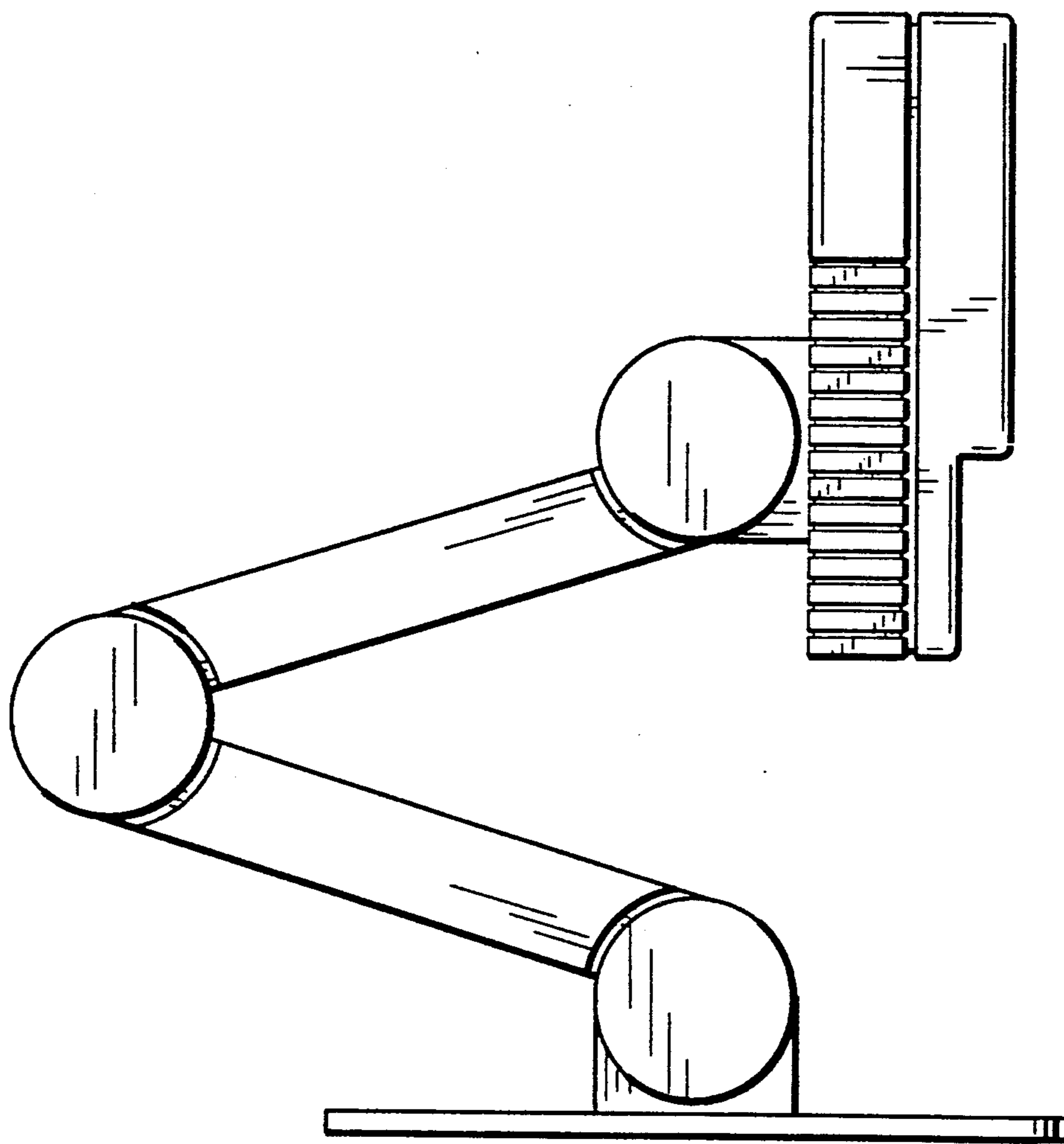


FIG. 7