

[54] LOAD CENTER CONTROL MODULE

[75] Inventors: Robert J. Brown, Jr., Boca Raton, Fla.; Bahattin Erturk, Rollingmeadows, Ill.

[73] Assignee: Square D Company, Palatine, Ill.

[\*\*] Term: 14 Years

[21] Appl. No.: 257,050

[22] Filed: Oct. 13, 1988

[52] U.S. Cl. .... D13/162

[58] Field of Search ..... D13/8, 10, 4; 310/50; 174/52.1; 320/27; 361/428, 331, 344, 346; 429/48, 54, 96, 97, 99, 121, 122, 160, 163, 176, 178, 187; 364/492

[56] References Cited

U.S. PATENT DOCUMENTS

3,171,568	3/1965	Antoine .....	320/4
3,816,911	6/1974	Knappenberger .....	174/52.1 X
4,253,151	2/1981	Bouve .....	364/492 X
4,335,437	6/1982	Wilson et al. ....	364/492 X

FOREIGN PATENT DOCUMENTS

1232222 1/1967 Fed. Rep. of Germany ..... 361/331

Primary Examiner—Susan J. Lucas

Assistant Examiner—J. Sincavage

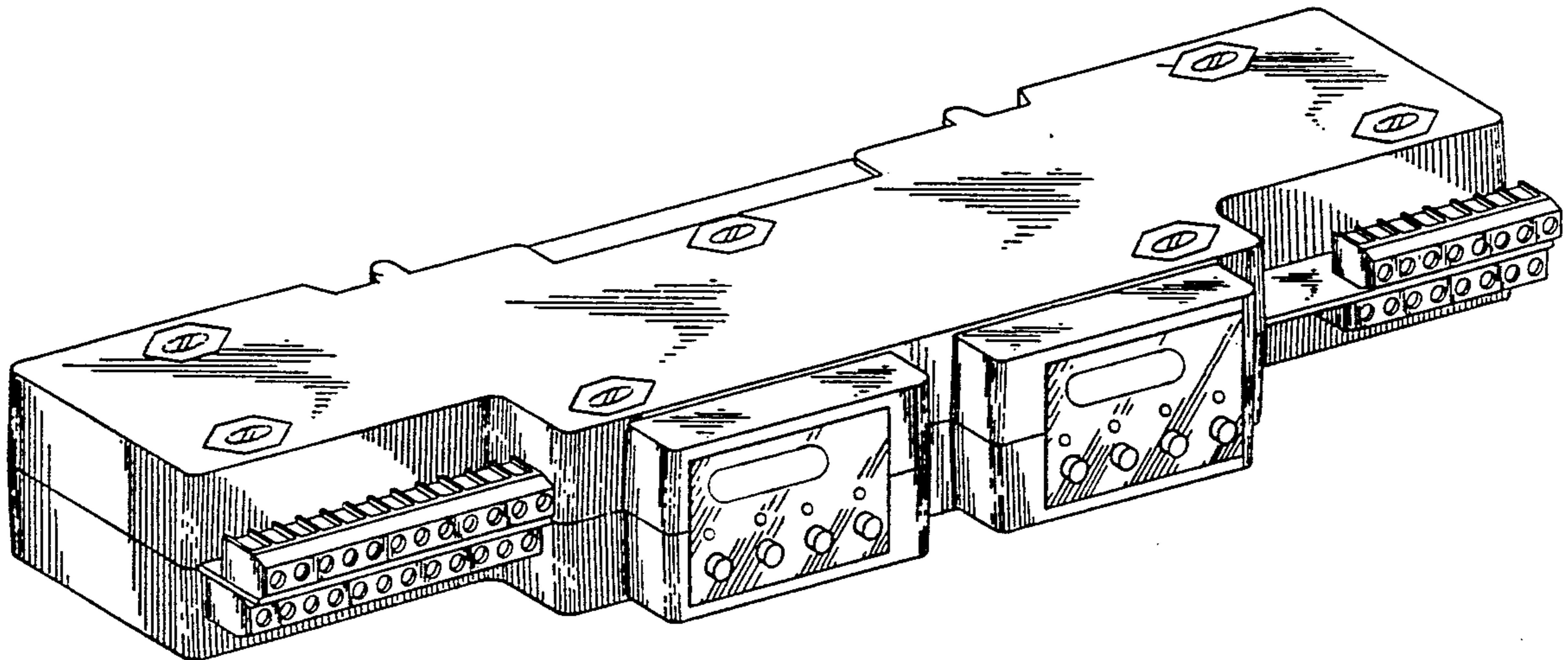
Attorney, Agent, or Firm—Larry I. Golden; Jose W. Jimenez; Harry W. Barron

[57] CLAIM

The ornamental design for a load center control module, as shown and described.

DESCRIPTION

FIG. 1 is a top, left and front perspective view of the load center control module showing the new design; FIG. 2 is a bottom, right and back perspective view thereof; FIG. 3 is a front elevational view thereof; FIG. 4 is a back elevational view thereof; FIG. 5 is a top plan view thereof, the bottom plan view being a mirror image; FIG. 6 is a right side elevational view thereof, the left side elevational view being a mirror image.



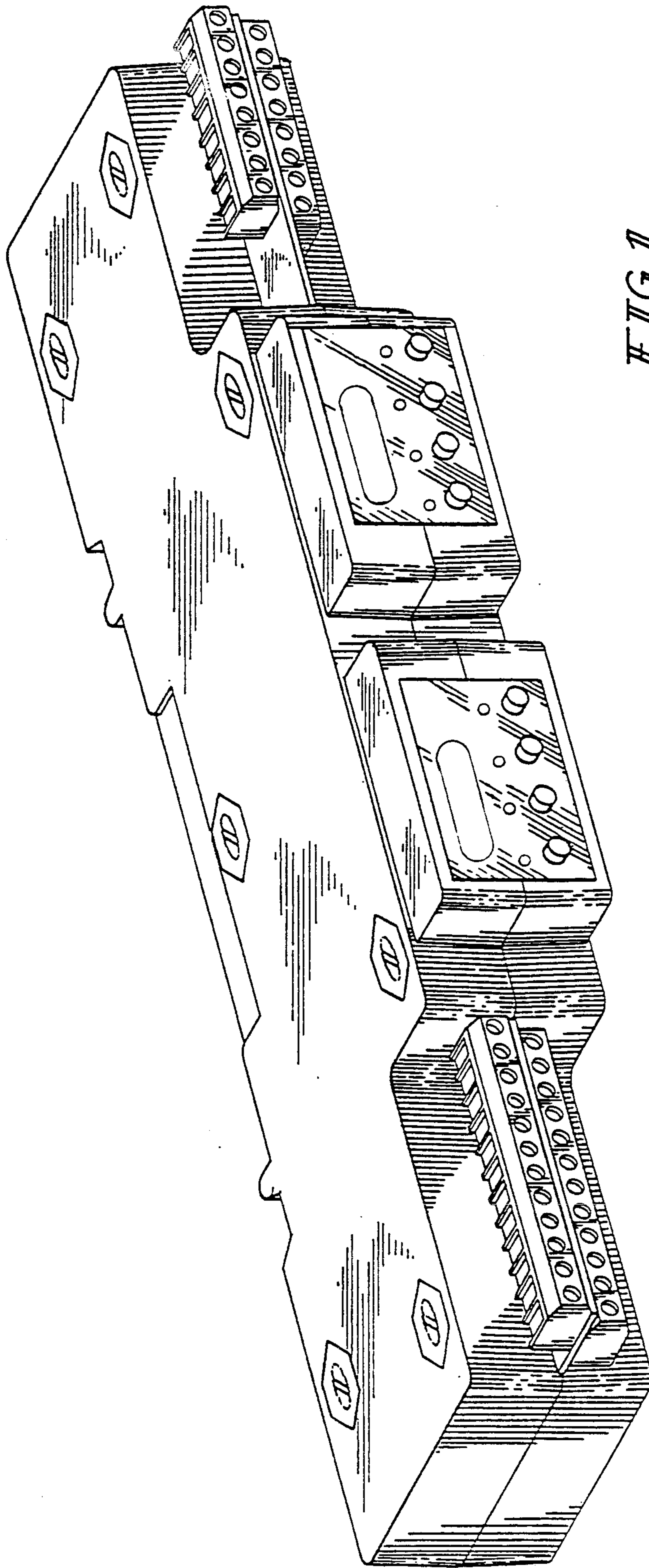


FIG. 1

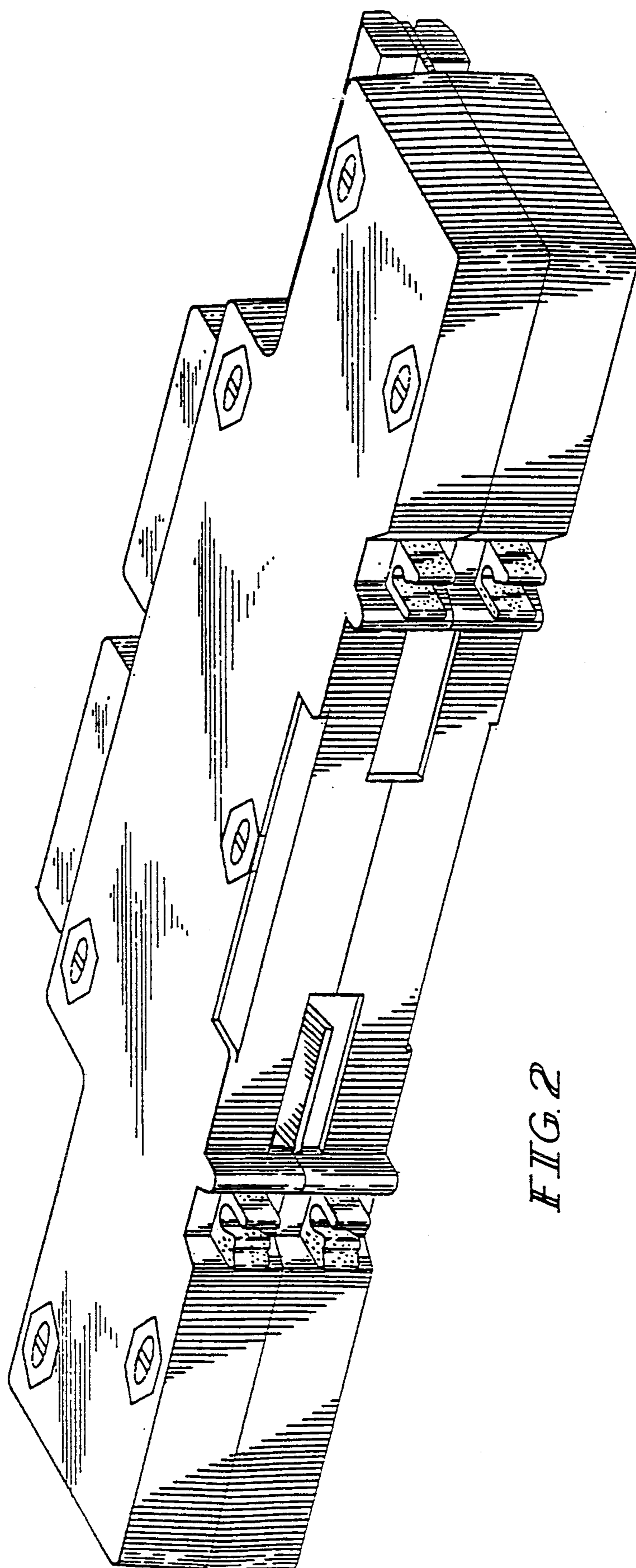


FIG. 2

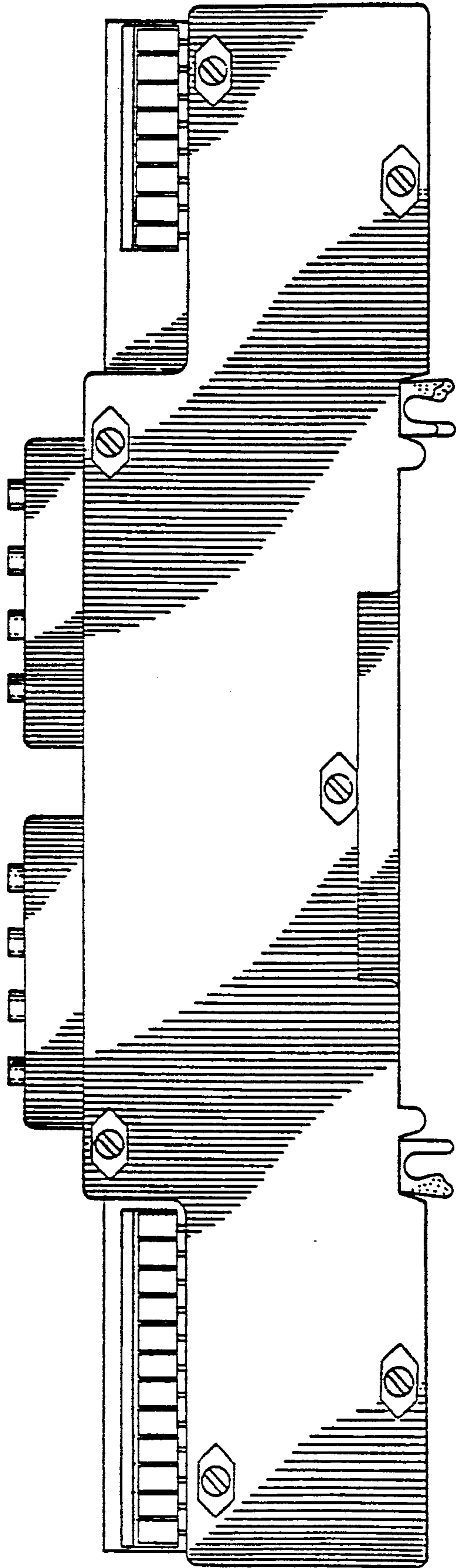


FIG. 5

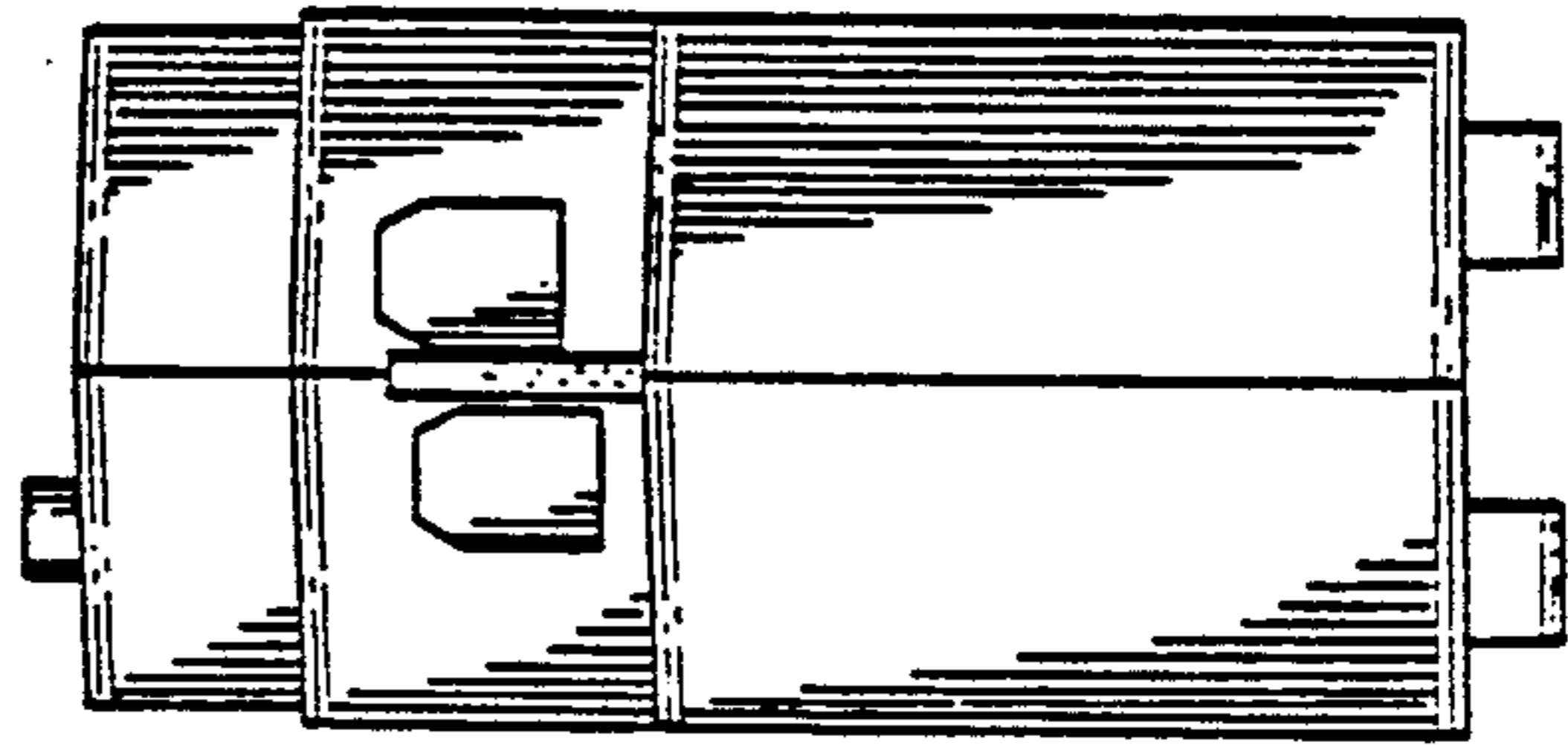


FIG. 6

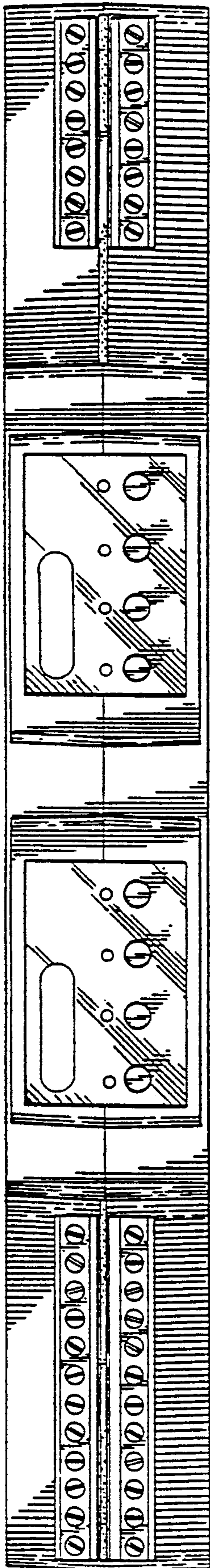


FIG. 3

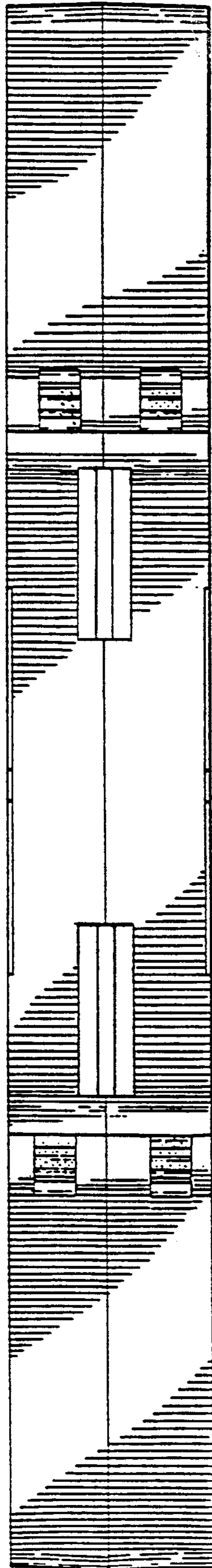


FIG. 4