

[54] **TRANSPORT TRAILER**

[76] **Inventor:** Peter M. Bell, 316 Blossom Hill Rd.,
 San Jose, Calif. 95123

[**] **Term:** 14 Years

[21] **Appl. No.:** 409,259

[22] **Filed:** Sep. 19, 1989

[52] **U.S. Cl.** D12/101

[58] **Field of Search** D12/101; 280/63, 414.1;
 414/430, 522

[56] **References Cited**

U.S. PATENT DOCUMENTS

| | | | | |
|------------|---------|-------------------|-------|-----------|
| D. 316,688 | 5/1991 | Barginear | | D12/101 |
| 2,719,726 | 10/1955 | Johnston | | 280/414.1 |
| 2,745,567 | 5/1956 | Grover | | 280/414.1 |
| 3,039,629 | 6/1962 | Cole | | 280/414.1 |
| 3,214,042 | 10/1965 | Westrum | | 414/522 |
| 3,403,798 | 10/1968 | Flachbarth et al. | | 280/414.1 |
| 3,613,921 | 10/1971 | Ryden et al. | | 414/430 |
| 4,620,716 | 11/1986 | Carbone | | 280/414.1 |
| 4,621,857 | 11/1986 | Jägers | | 280/63 |
| 4,875,701 | 10/1989 | Gobbersen | | 280/414.1 |
| 4,895,387 | 1/1990 | Hawkins et al. | | 280/414.1 |

FOREIGN PATENT DOCUMENTS

1365483 5/1964 France 280/63

OTHER PUBLICATIONS

Thiokol Chemical Corp., Heavy Duty Trailers,
 7R-1400 Series, side 2.

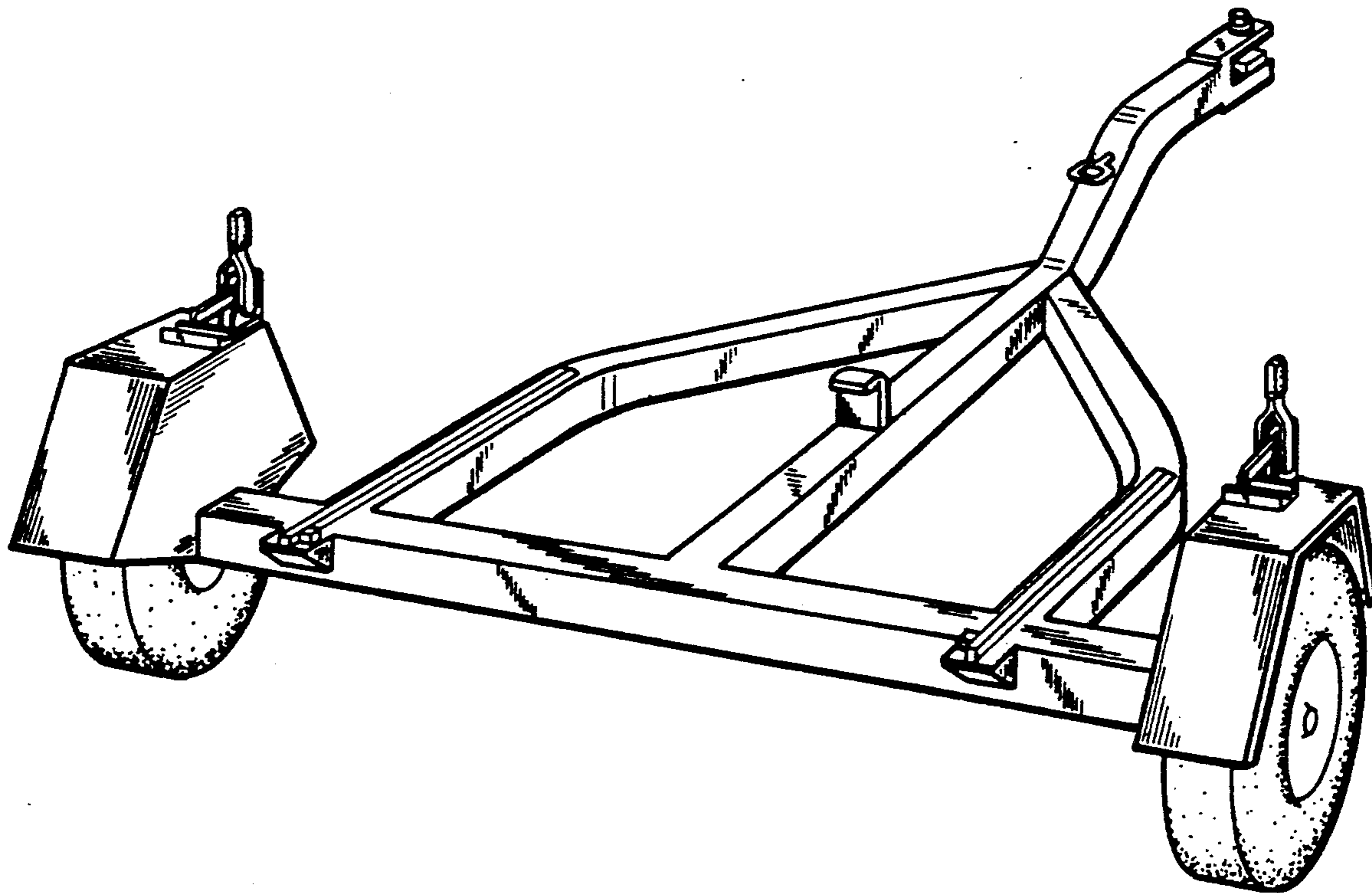
Primary Examiner—Wallace R. Burke
Assistant Examiner—Melody N. Brown
Attorney, Agent, or Firm—Robert Charles Hill

[57] **CLAIM**

The ornamental design for transport trailer, as shown
 and described.

DESCRIPTION

FIG. 1 is a perspective view of the transport trailer
 showing my new design.
 FIG. 2 is a side elevational view thereof the opposite
 side being a mirror image of that shown.
 FIG. 3 is a top plan view thereof.
 FIG. 4 is a bottom plan view thereof.
 FIG. 5 is a front elevational view thereof.
 FIG. 6 is a rear elevational view thereof.



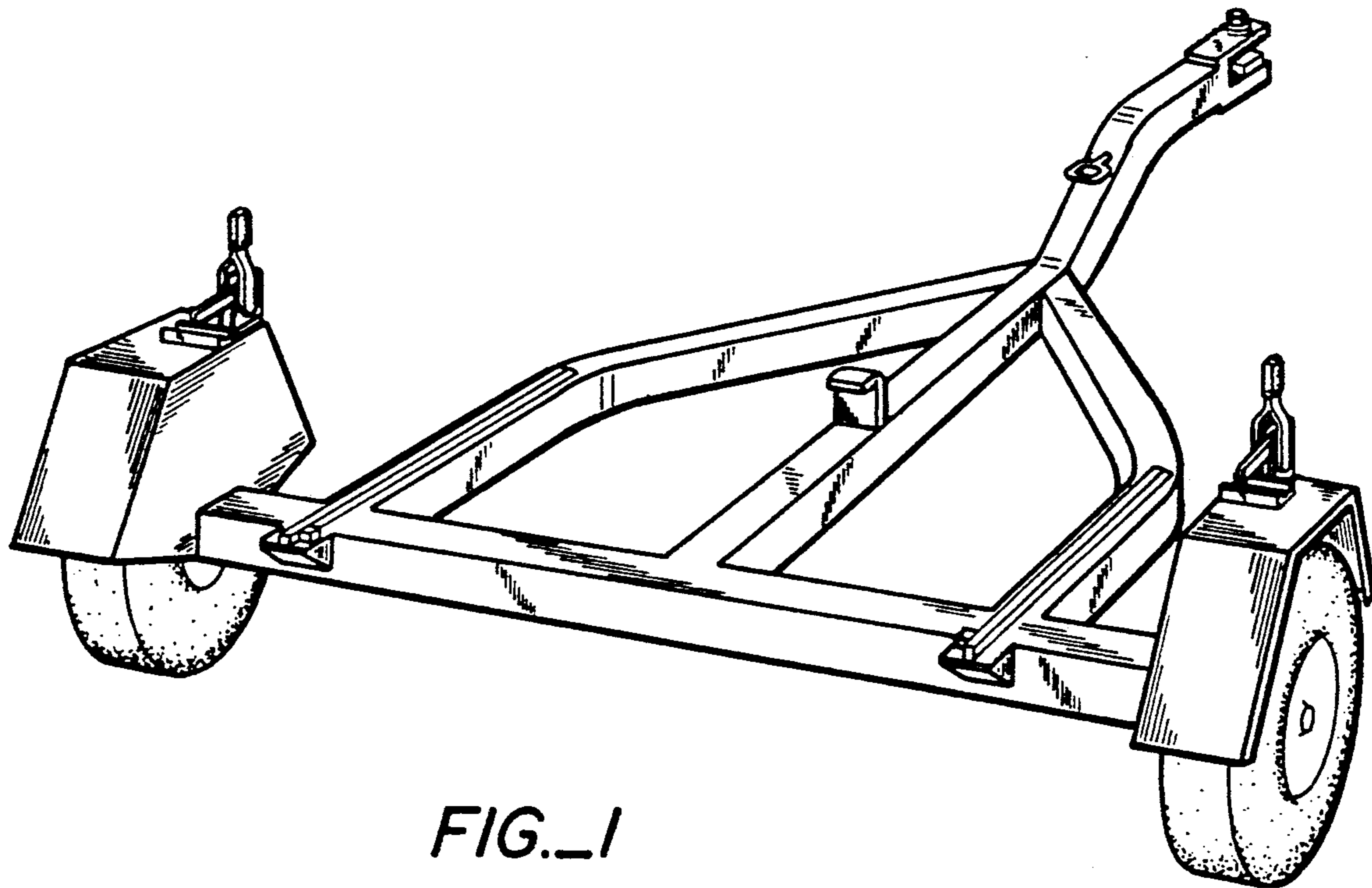


FIG. 1

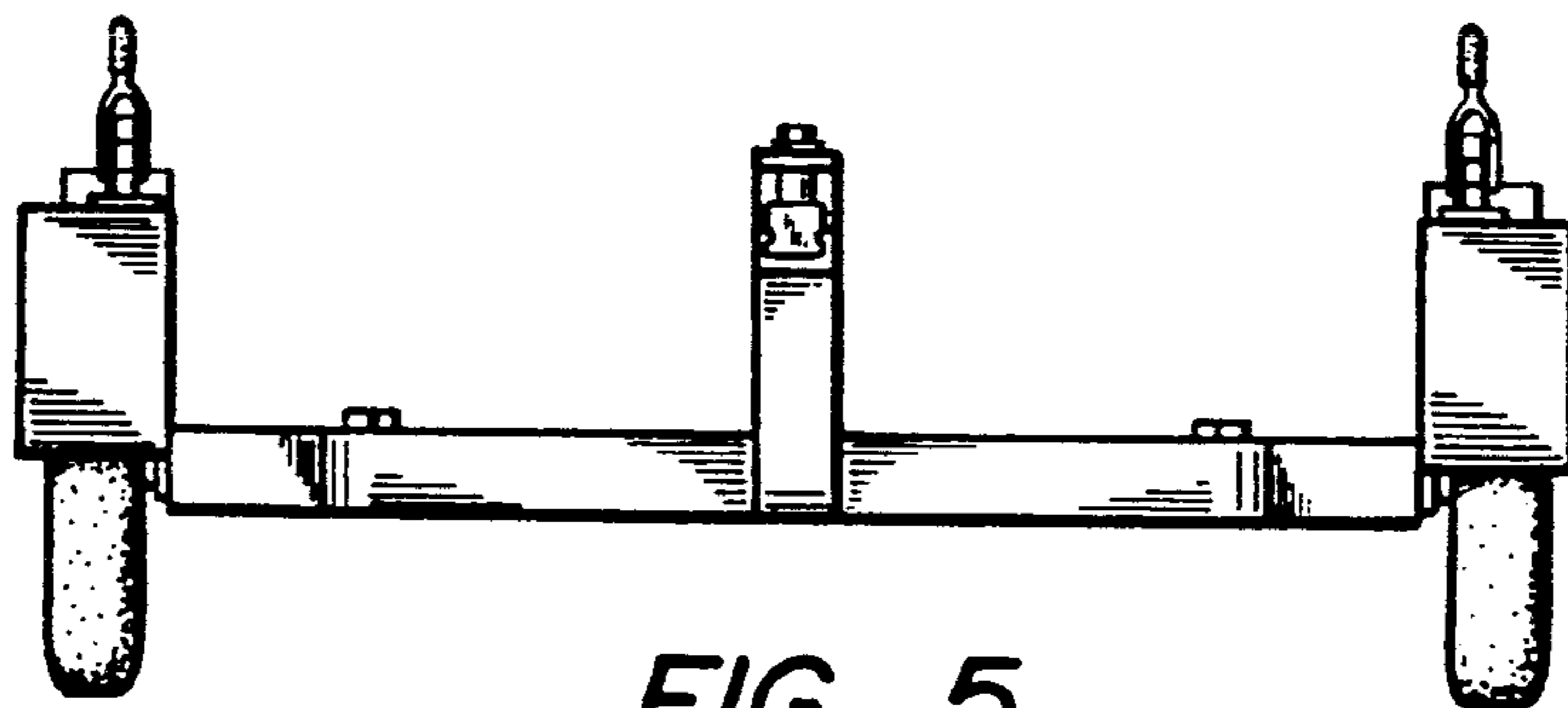


FIG. 5

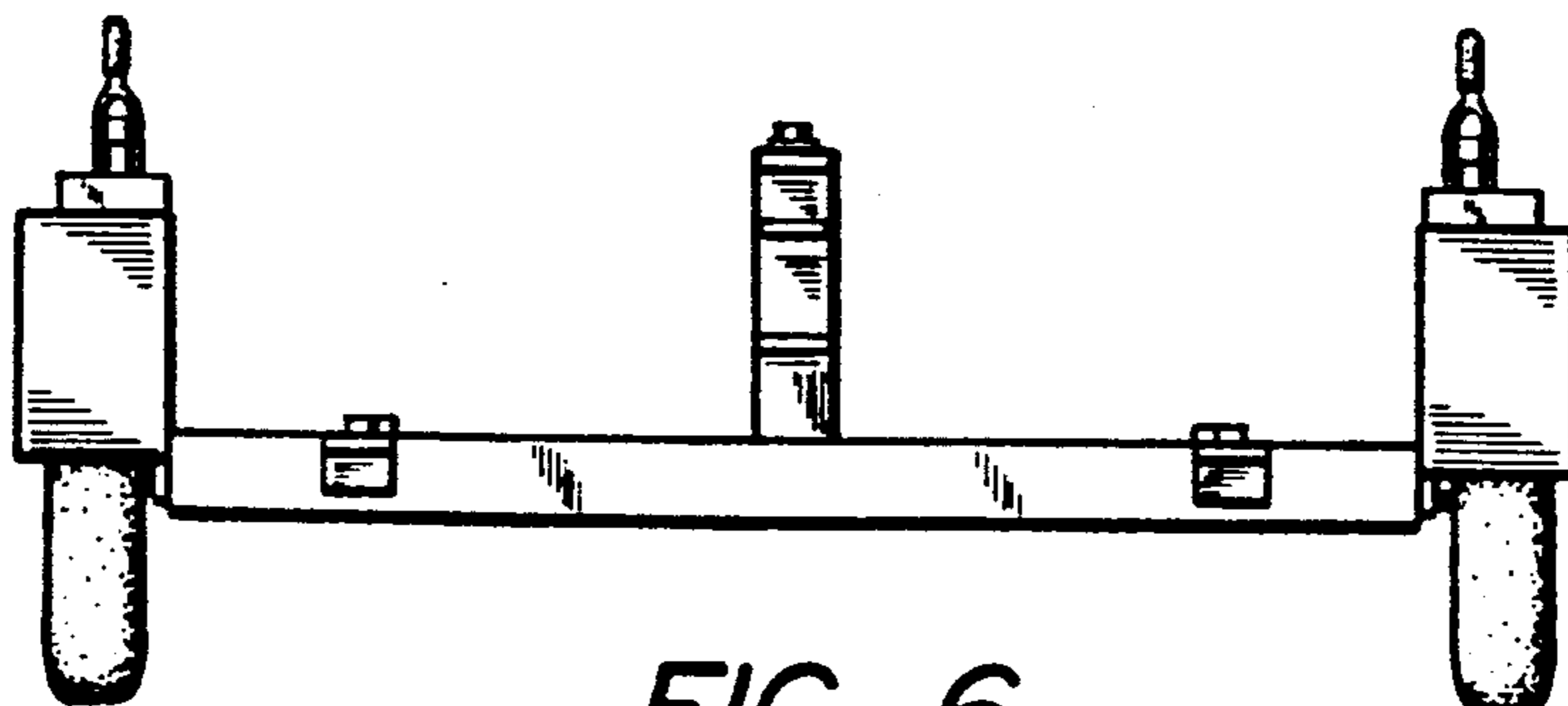


FIG. 6

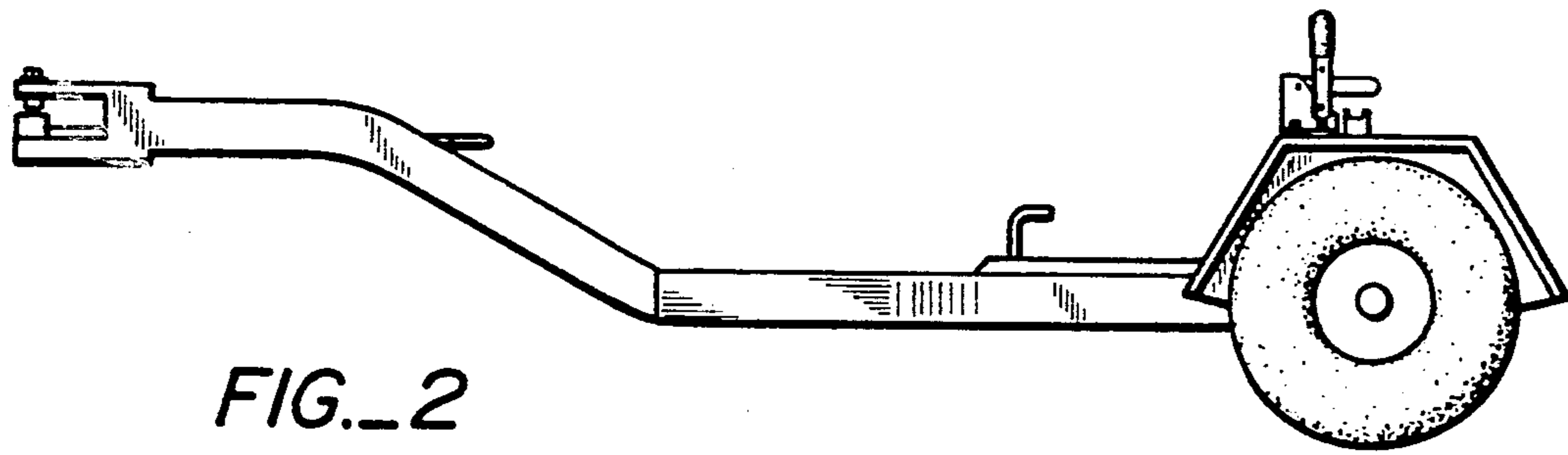


FIG. 2

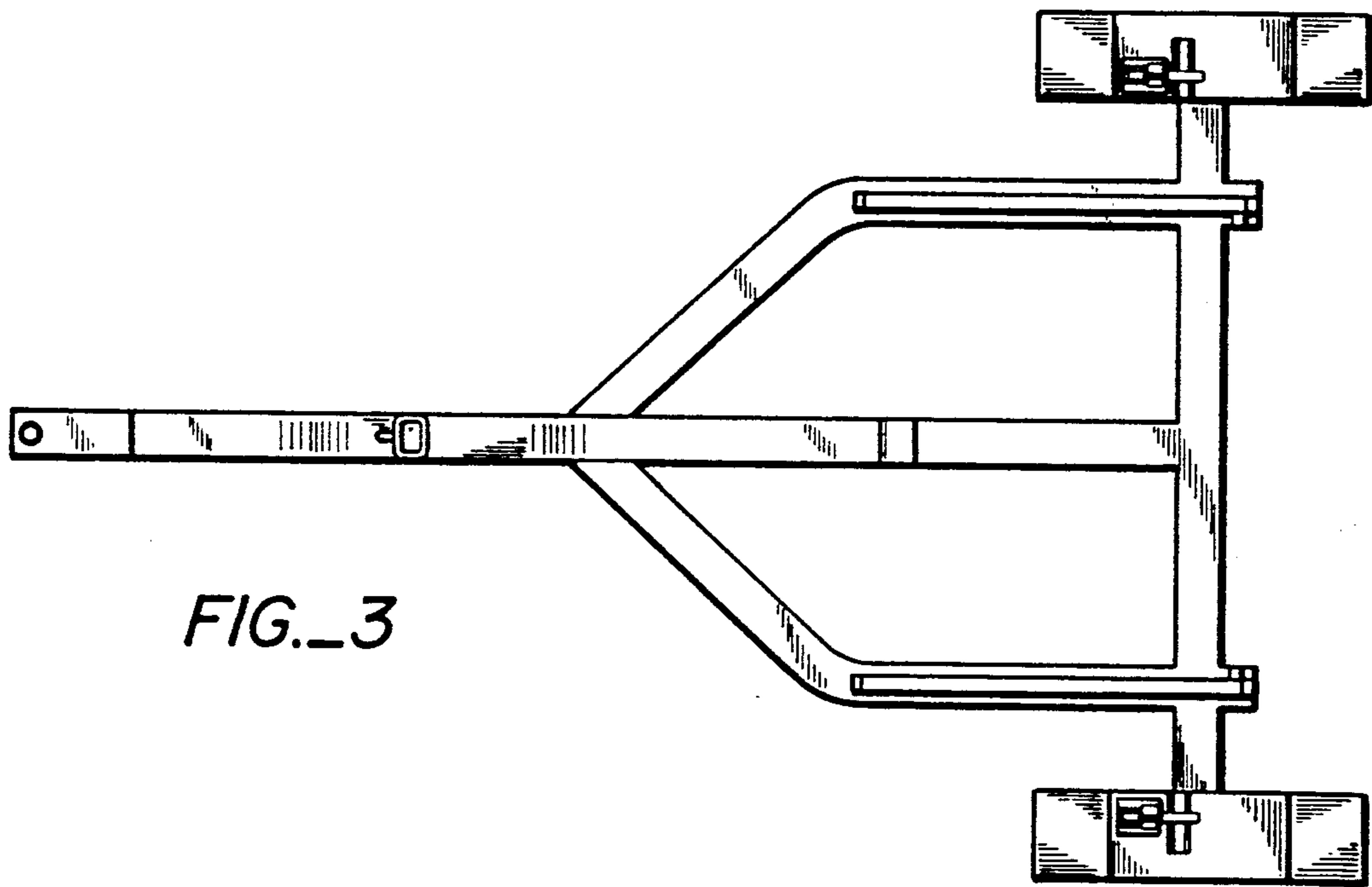


FIG. 3

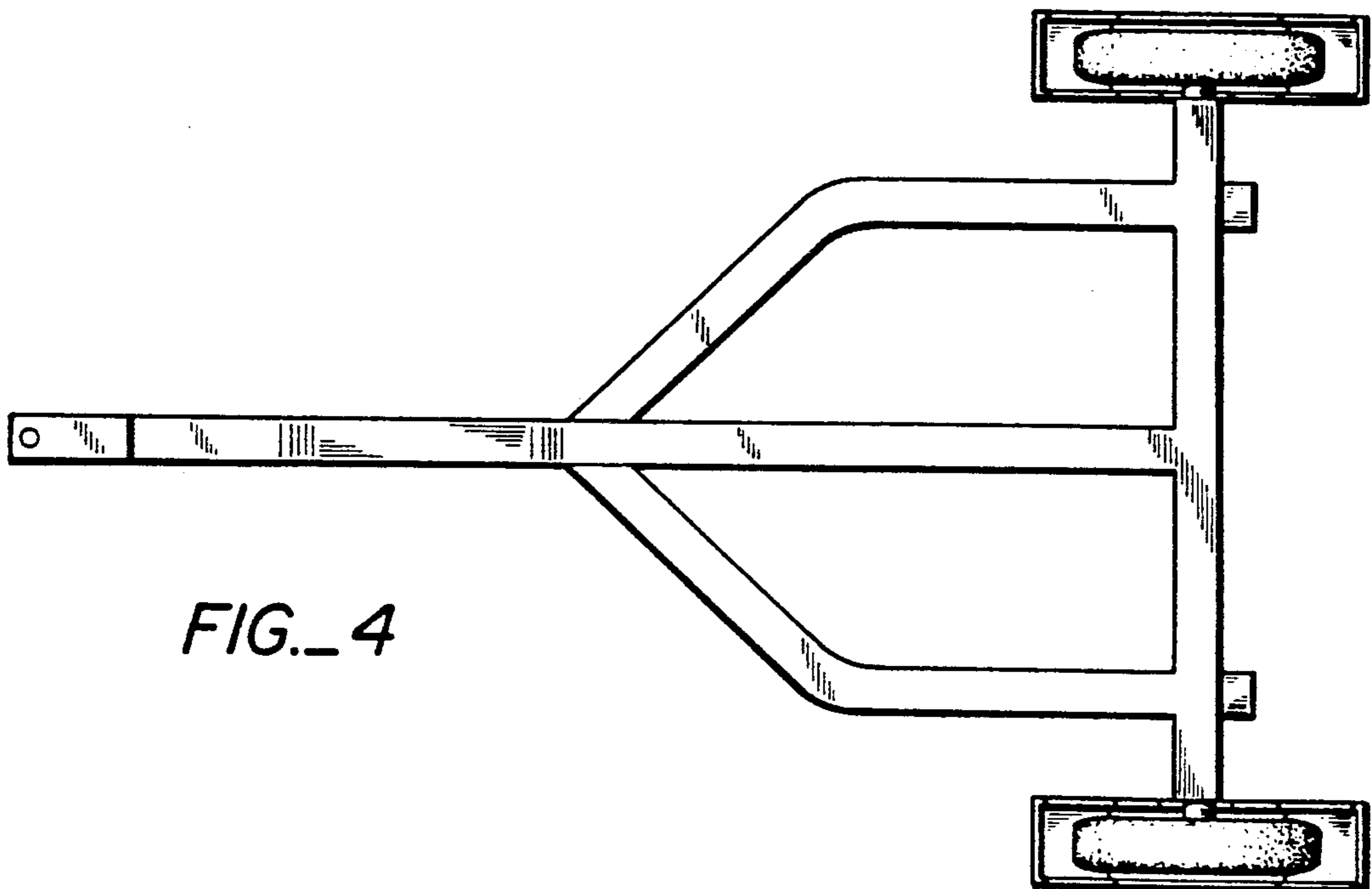


FIG. 4