

[54] POSTAGE SCALE

[76] Inventors: **Theodorus C. W. M. Koster; Aart J. Roelandt**, both of Keizersgracht 607, NL-1017 DS Amsterdam, Netherlands

[**] Term: 14 Years

[21] Appl. No.: 159,655

[22] Filed: Feb. 24, 1988

[30] Foreign Application Priority Data

Aug. 24, 1987 [XB] Benelux 62434-00
[52] U.S. Cl. D10/87
[58] Field of Search D10/83, 84, 87-95;
177/126, 127, 211, 208, 238, 239, 240, 241, 242,
243, 244, 245, 251, 253, 254, 255, 256, 262, 263,
DIG. 3

[56] References Cited

U.S. PATENT DOCUMENTS

D. 274,991 8/1984 Wirtz D10/92
D. 281,236 11/1985 Muller et al. D10/92

Primary Examiner—Nelson C. Holtje
Assistant Examiner—Antoine D. Davis

[57] CLAIM

The ornamental design for a postage scale, as shown.

DESCRIPTION

FIG. 1 is a top, front, and right side perspective view of a postage scale showing our new design;
FIG. 2 is a bottom perspective view of the postage scale of FIG. 1;
FIG. 3 is a right side elevational view thereof, the left side elevational view being a mirror image;
FIG. 4 is a front view thereof, the rear view being identical thereto;
FIG. 5 is a top view thereof; and
FIG. 6 is a bottom view thereof.

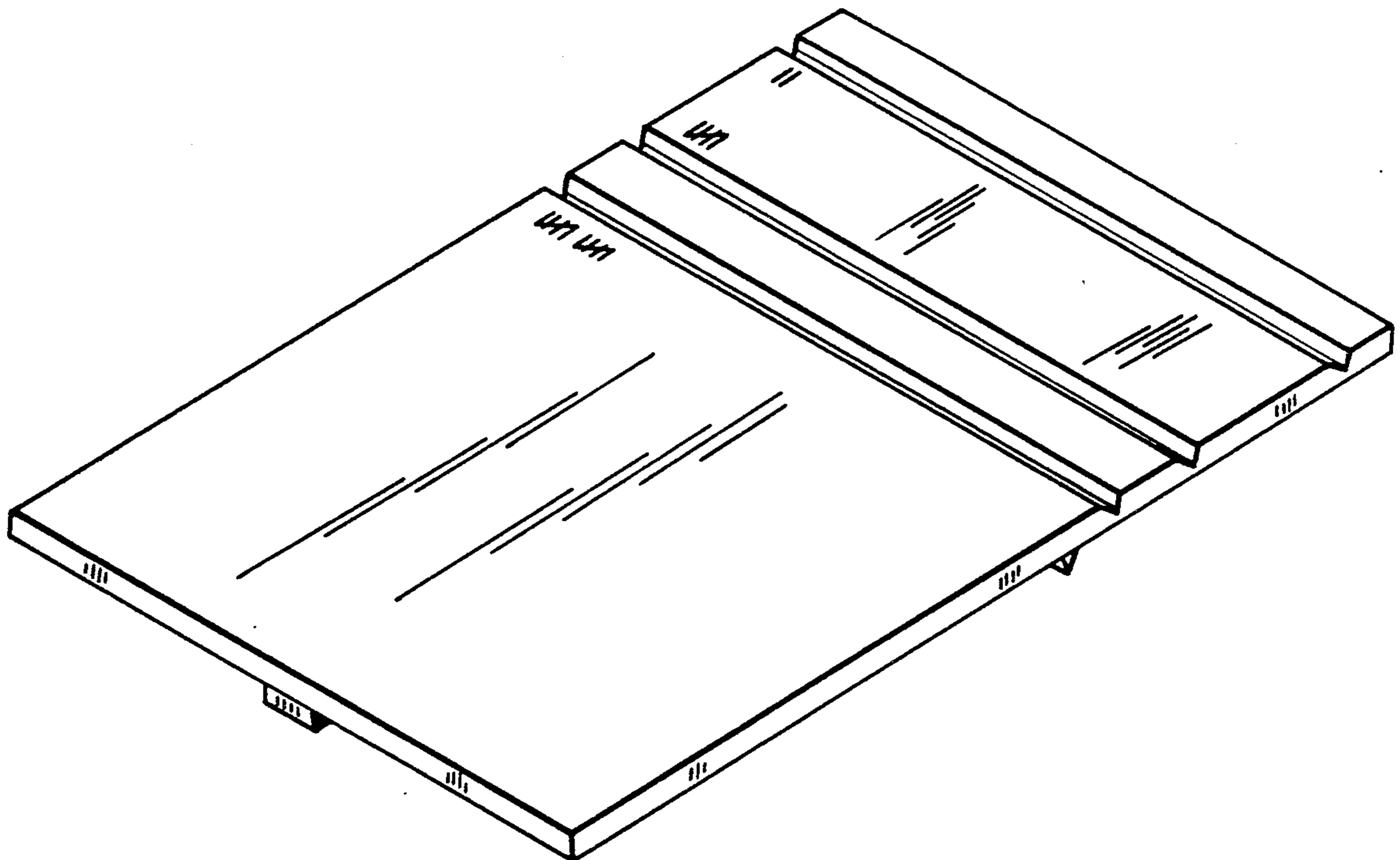


FIG. 5

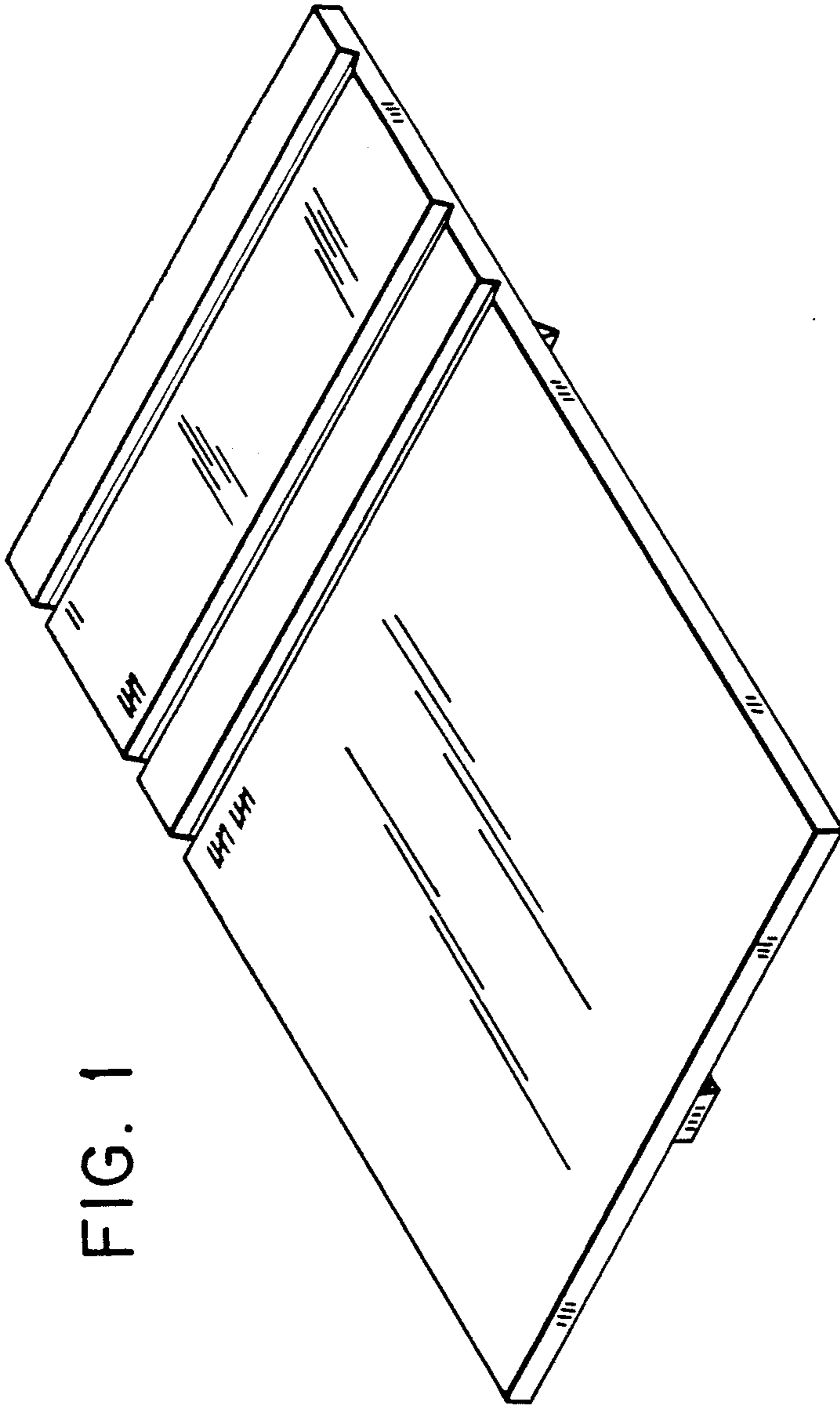
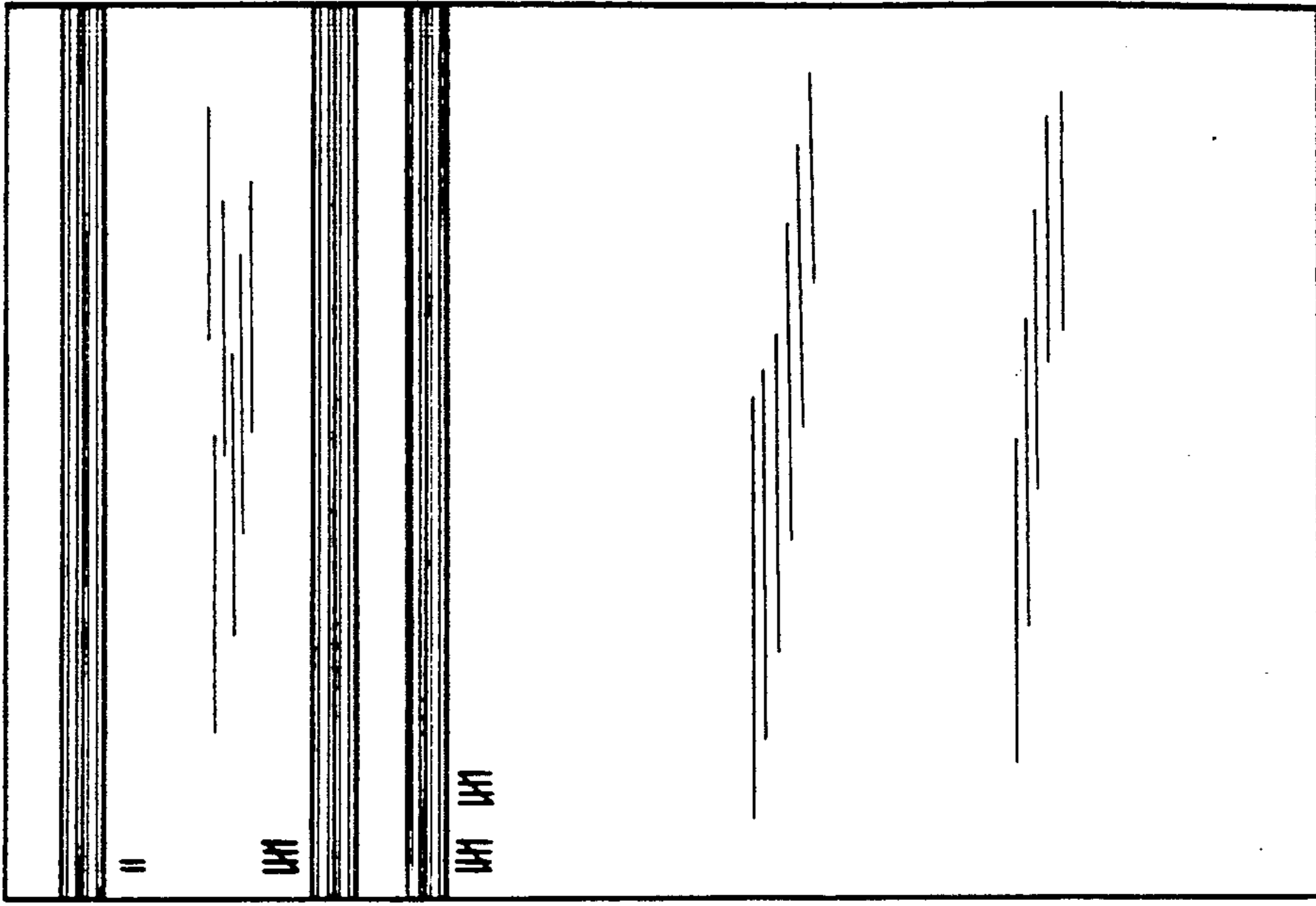


FIG. 1

FIG. 3

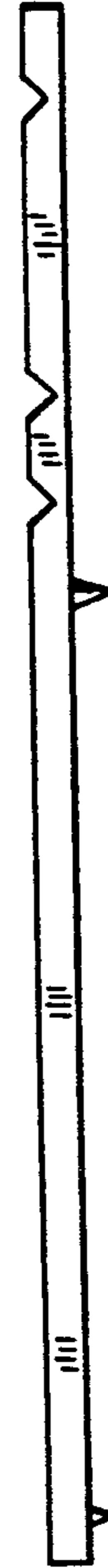


FIG. 4



FIG. 6

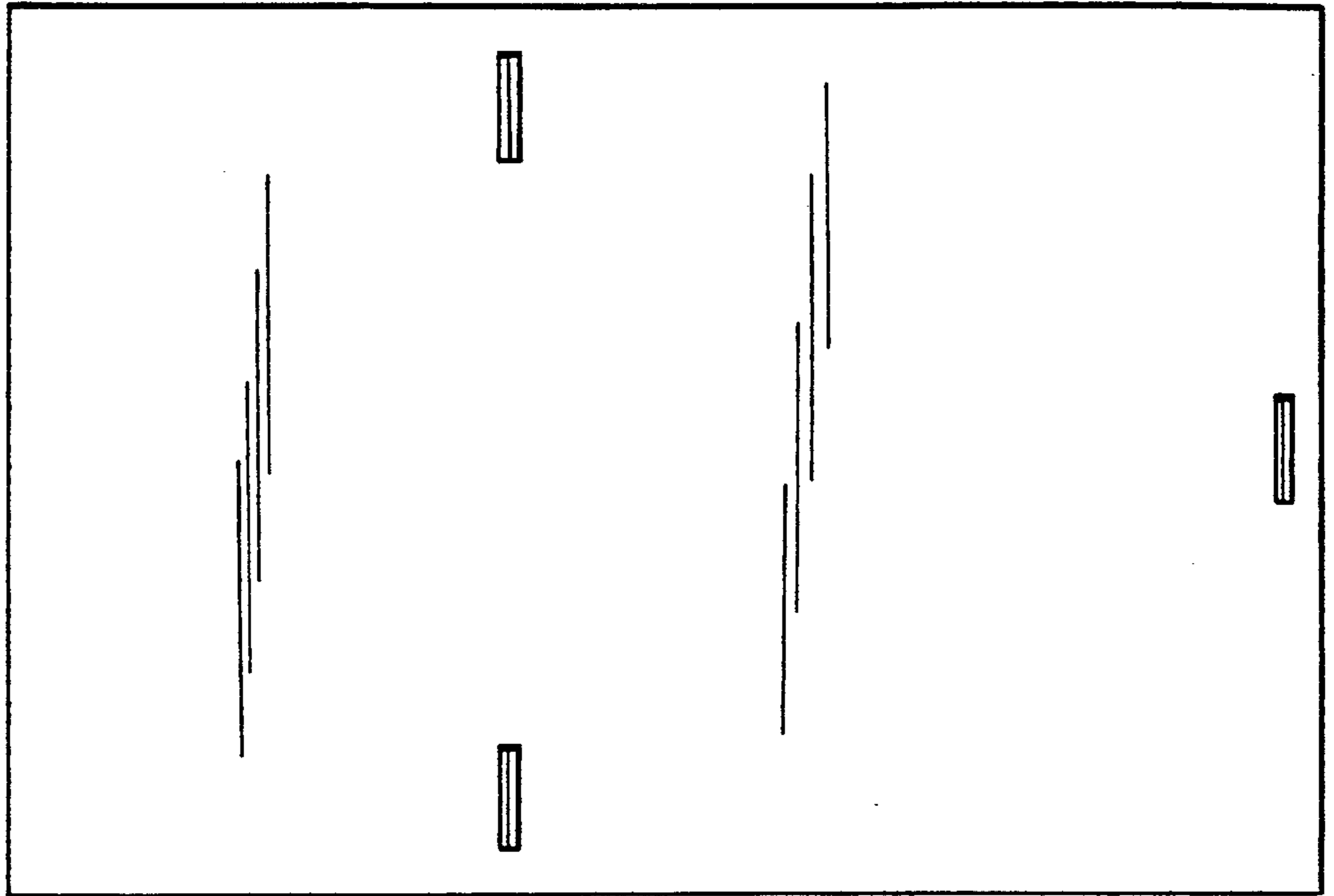


FIG. 2

